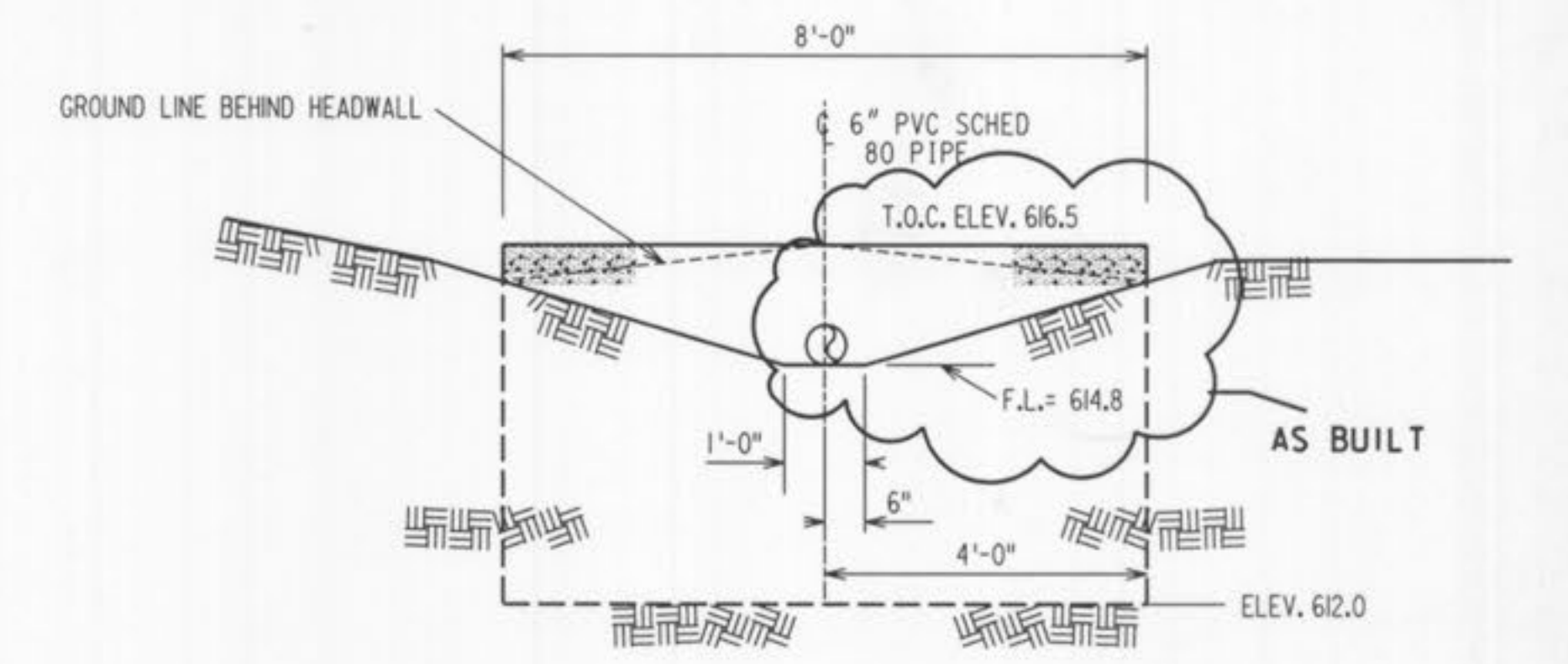
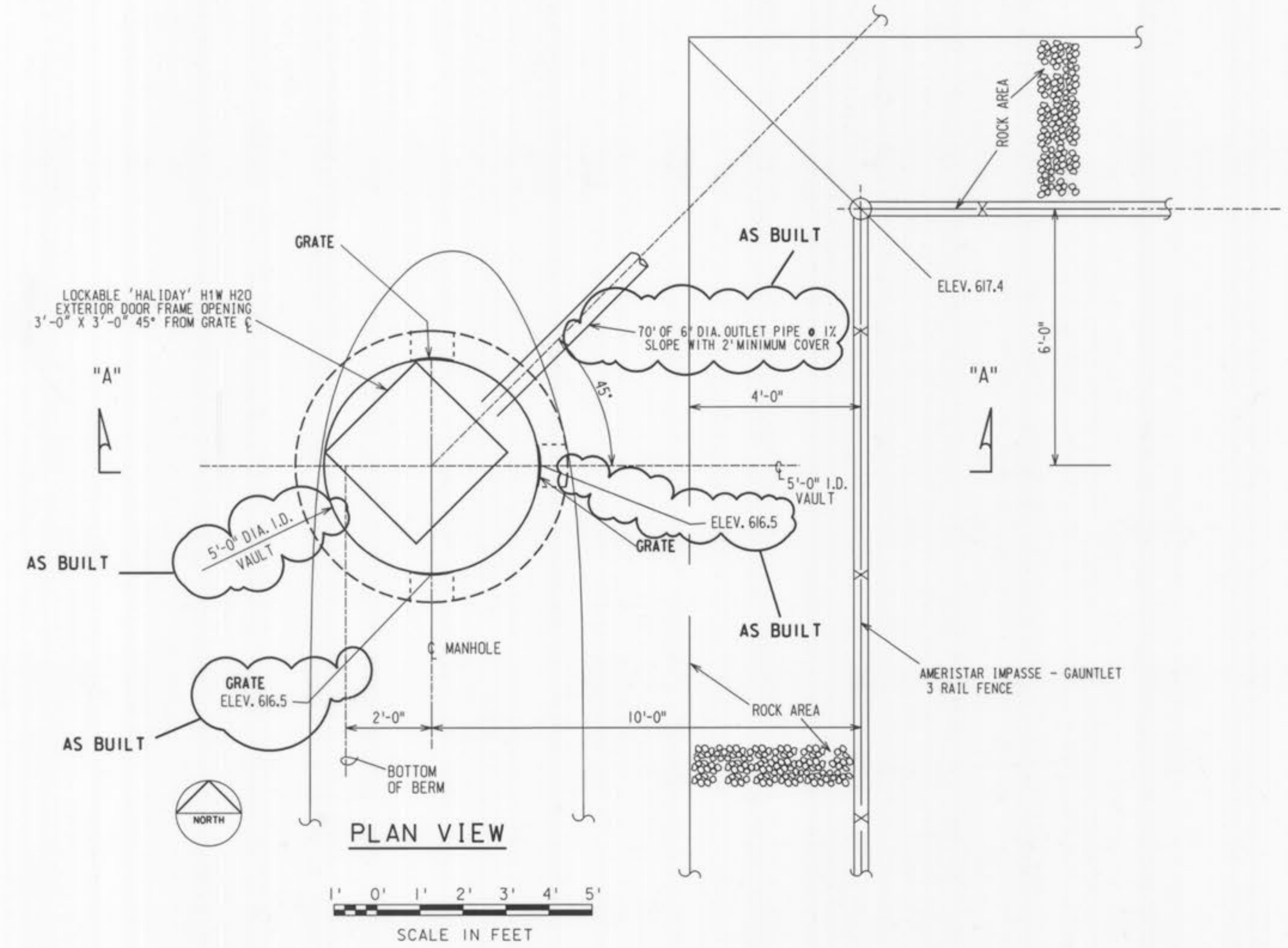






PRINT DIST. 203381-Y-183302

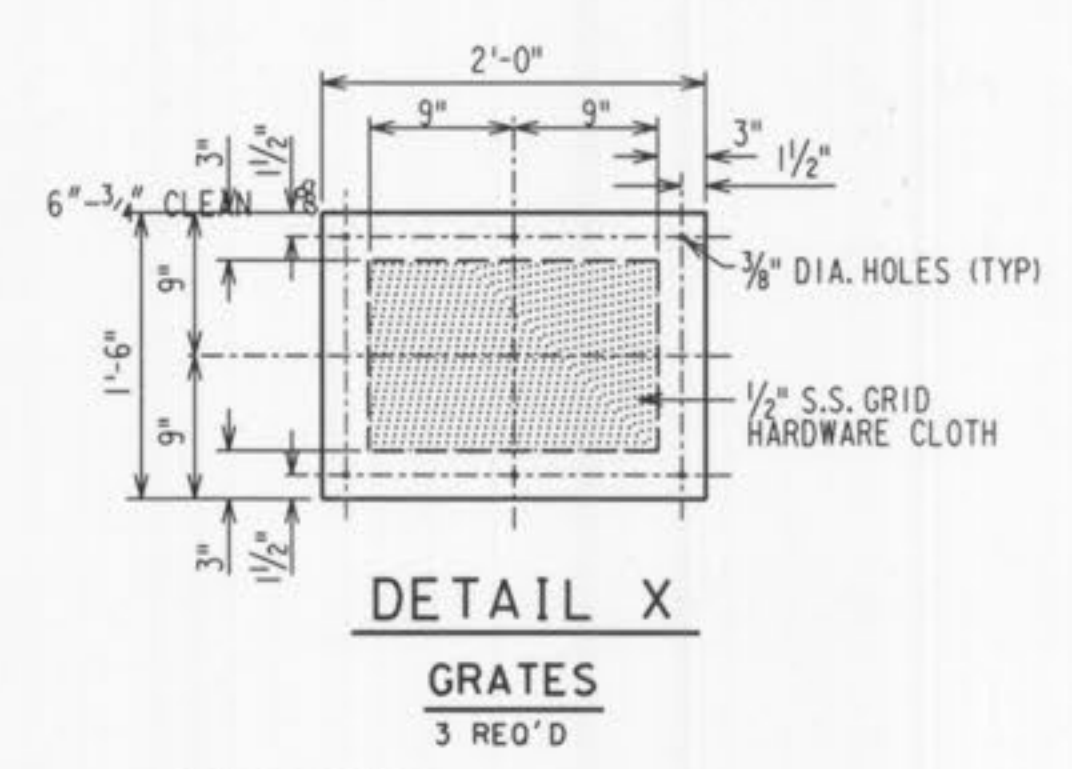
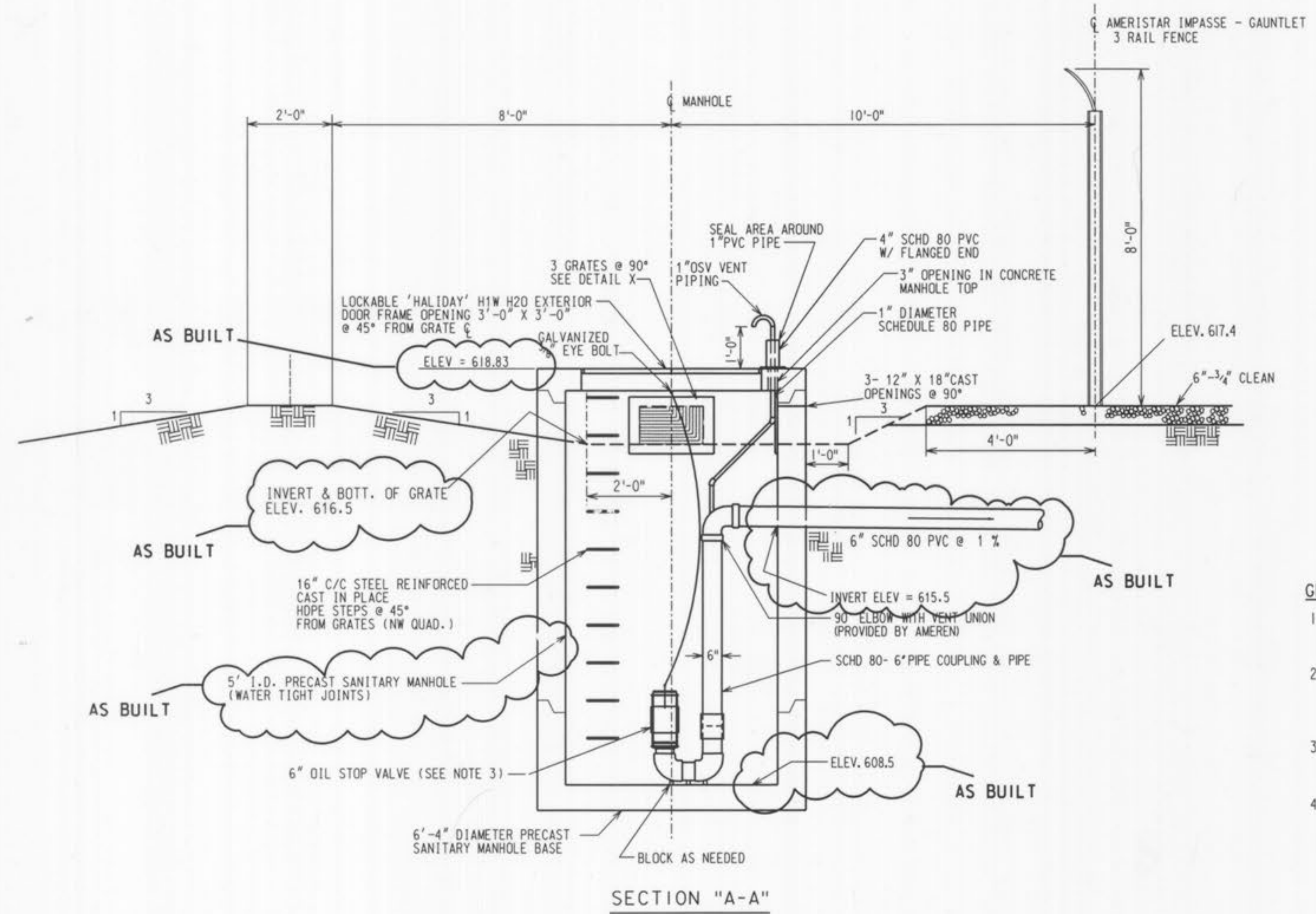
REV.	W.O.	DRAWN
0	14572	MEJ
FIRST ISSUE		
REV.	DATE	DRAWN
1	032607	MEJ
CHKD	SUPV	APPD
NOT		
W.O.		FILM
14572		
PERMITTING CHANGES		
REV.	DATE	DRAWN
2	0207	MEJ
CHKD	SUPV	APPD
NOT	DPS	
W.O.		FILM
14572		
'AS BUILT' CHANGES		



HEADWALL DETAIL - OIL STOP VALVE DISCHARGE PIPING  
SECTION "B-B"

SCALE: 1" = 2'  
NOTE: #4 RODS @ 12" EW @ WALL CENTERLINE

PLACED RIP-RAP THE WIDTH OF HEAD-WALL ON THE DISCHARGE SIDE OF THE WALL AND EXTENDING ± 12 FT. FROM THE WALL TO CONTROL EROSION. GROUDED THE VOIDS, BUT LEFT A SEMI-ROUGH SURFACE TO SLOW WATER FLOW.



- GRATE NOTES:**
1. 1/8" x 18" x 24" S.S. (304) PLATE.
  2. 1/2" S.S. (304) HARDWARE CLOTH PLACED BETWEEN 304 S.S. PLATE AND MANHOLE.
  3. BEND S.S. PLATE TO MATCH MANHOLE O.D.
  4. ATTACH TO INSIDE OF MANHOLE WITH 6-1/4" x 2" COMPRESSION TYPE RED HEAD WITH WASHERS.

- GENERAL NOTES:**
1. THE MANHOLE SHALL BE PRECAST SANITARY SEWER MANHOLE WITH A FLAT TOP AND A LOCKABLE CAST-IN-PLACE "HALIDAY" DOOR.
  2. ALL JOINTS IN THE MANHOLE, INCLUDING THE JOINT BETWEEN THE BASE AND THE BOTTOM RING, SHALL BE WATER TIGHT. ALL PIPE PENETRATIONS SHALL BE WATERTIGHT.
  3. THE OIL STOP VALVE SHALL BE PROVIDED BY AMEREN AND INSTALLED BY THE CONTRACTOR. THE STOP VALVE SHALL BE MANUFACTURED BY AFL INDUSTRIES, OR EQUIVALENT.
  4. IF THE OIL STOP VALVE IS NOT AVAILABLE FOR INSTALLATION AT THE TIME OF MANHOLE CONSTRUCTION, THE CONTRACTOR SHALL EXTEND THE SIX INCH PVC LINE A MINIMUM OF 12 INCHES INTO THE MANHOLE FOR LATER CONNECTION TO THE STOP VALVE.

PROPERTY - GRADING, SURFACING & FENCE ..... 9442-Y-183301  
PROPERTY - TOPOGRAPHIC SURVEY ..... 9442-Y-170990

P & DD FILE NO. 0607

APPROVED FOR CONSTRUCTION  
JOB NO. INITIALS

**NOTICE OF LIMITED RESPONSIBILITY**  
THE RESPONSIBILITY OF THE UNDERSIGNED ENGINEER IS LIMITED TO THE DESIGN WORK SHOWN ON PROJECT DRAWINGS AND DOCUMENTS BEARING HEREIN. SPECIAL CONTRACTOR OF METALS, RESIN COUS, NOT HAVE AUTHORITY OVER THE PROJECT AS A WHOLE. THE UNDERSIGNED DISCLAIMS ANY RESPONSIBILITY FOR WORK DONE UNDER SUBSEQUENT REVISIONS AND ANY OTHER DOCUMENTS ASSOCIATED WITH THE PROJECT WHICH DO NOT BEAR HEREMAN SEAL, SIGNATURE OR INITIALS.

DRAWN 02-07-2007  
M.E. JOHNSON  
CHKD.  
NOT CHECKED  
SUPV.  
DPS  
APPD. 02-26-07  
B.L. CALLAWAY

PREPARED FOR		Ameren UE	
STRUCTURE - MISC. DETAILS OIL SPILL CONTAINMENT & WATER DISCHARGE			
APPD. 02-26-07	LOCATION	FEISE SUBSTATION	CLASS
B.L. CALLAWAY	004724		04030
ST. LOUIS, MISSOURI			REV.
9442-Y-183302			2

Feise Substation

37-13-88 Rev. 9-95