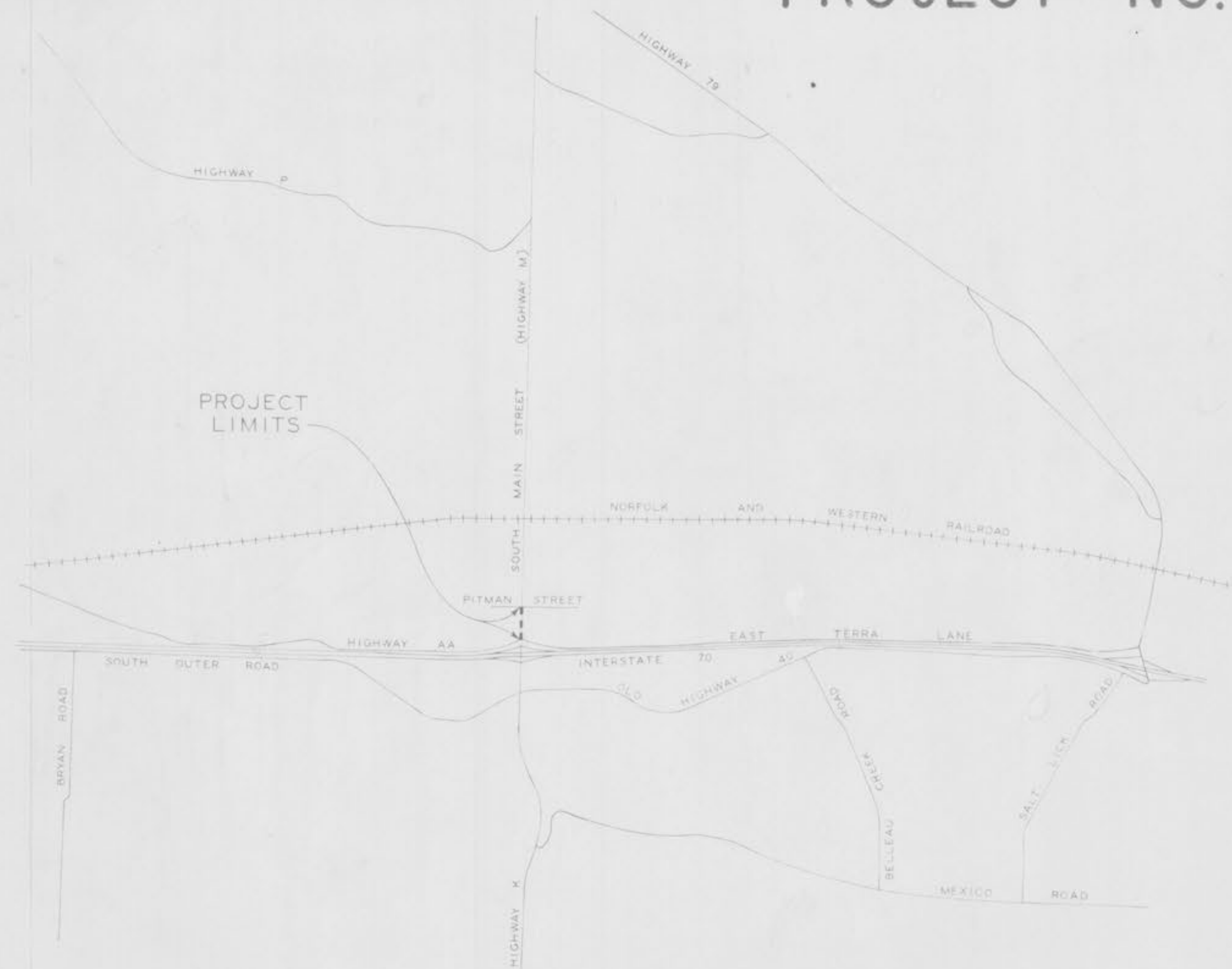


CITY OF O'FALLON MISSOURI WATER SYSTEM IMPROVEMENTS PROJECT NO. 6



INDEX OF DRAWINGS

SHEET NO.	DESCRIPTION
1	LOCATION MAP
2	GENERAL NOTES
3	LEGEND
4	GENERAL NOTES
5	LEGEND

GENERAL NOTES

1. THE FOLLOWING ARE PHONE NUMBERS WHICH MAY BE USED TO CONTACT UTILITY OWNERS:
 CITY OF O'FALLON 272-4244
 O'FALLON GAS CO. 734-5421
 BELL TELEPHONE DEPARTMENT 272-4244
 CONTINENTAL TELEPHONE 472-4244
2. ALL ELEVATIONS ARE BASED ON U.S.C. & G.S. 1985.
3. ELEVATIONS ARE LISTED FROM BENCHMARK POINTS. BENCHMARK POINTS ARE THE WORDS "M.P." AND "B.M." FOLLOWED BY A NUMBER.
4. ALL DIMENSIONS ARE TO CENTERLINE UNLESS OTHERWISE NOTED. DIMENSIONS HAVE BEEN CHECKED FROM AVAILABLE RECORDS AND FOUND TO BE CORRECT. DIMENSIONS WILL BE MAINTAINED APPROXIMATE TO THE POINTS OF BEGINNING AND ENDING OF THE PROJECT UNLESS OTHERWISE NOTED.

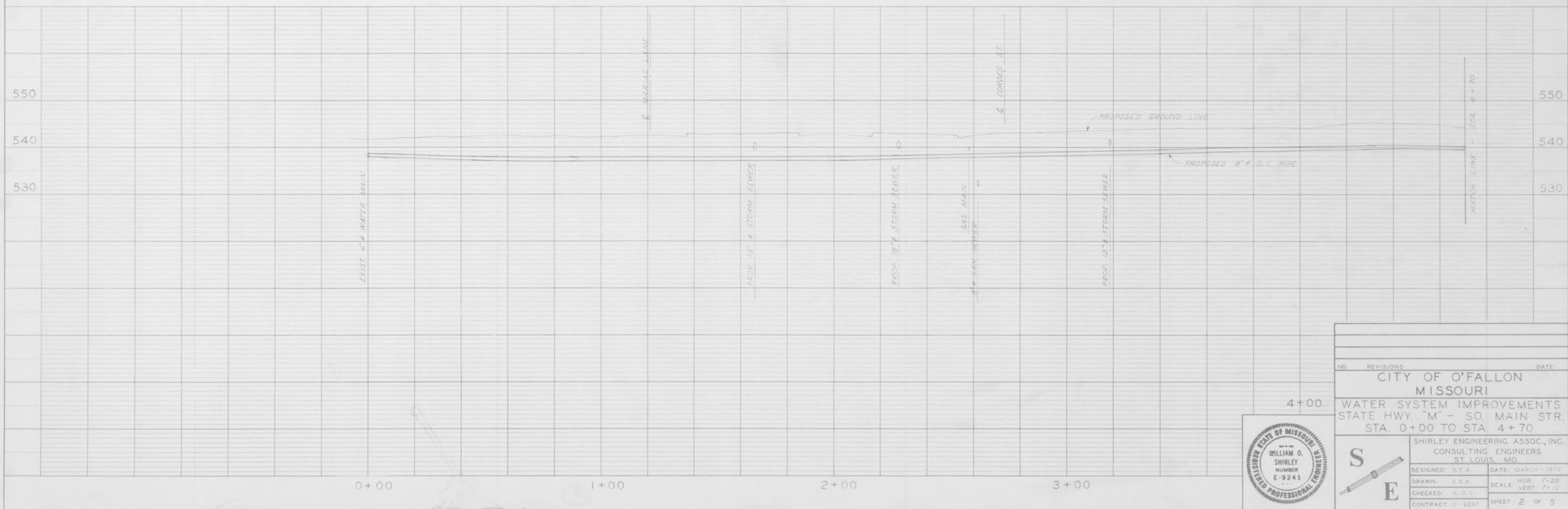
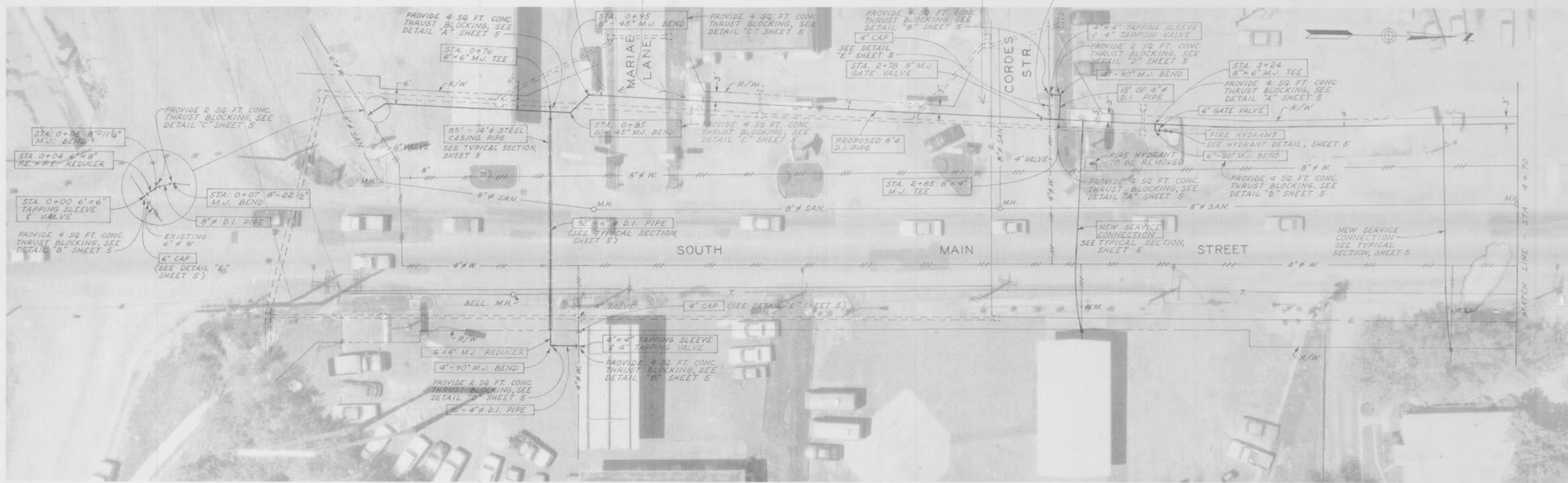
LEGEND

— 8" G —	8" GAS
— 6" W —	6" WATER MAIN
— 4" M —	4" MAIN
— 4" S —	4" SIDEWALK
— 4" I —	4" INTERSECT
— 4" L —	4" LANE
— 4" R —	4" ROAD

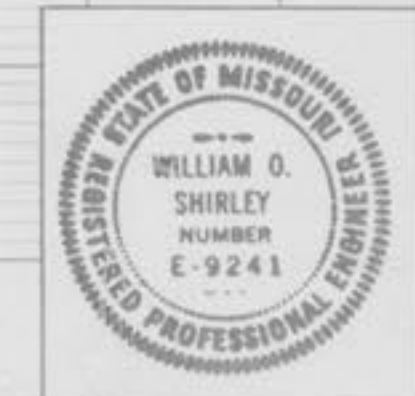
NO.	REVISIONS	DATE
CITY OF O'FALLON MISSOURI WATER SYSTEM IMPROVEMENTS LOCATION MAP		

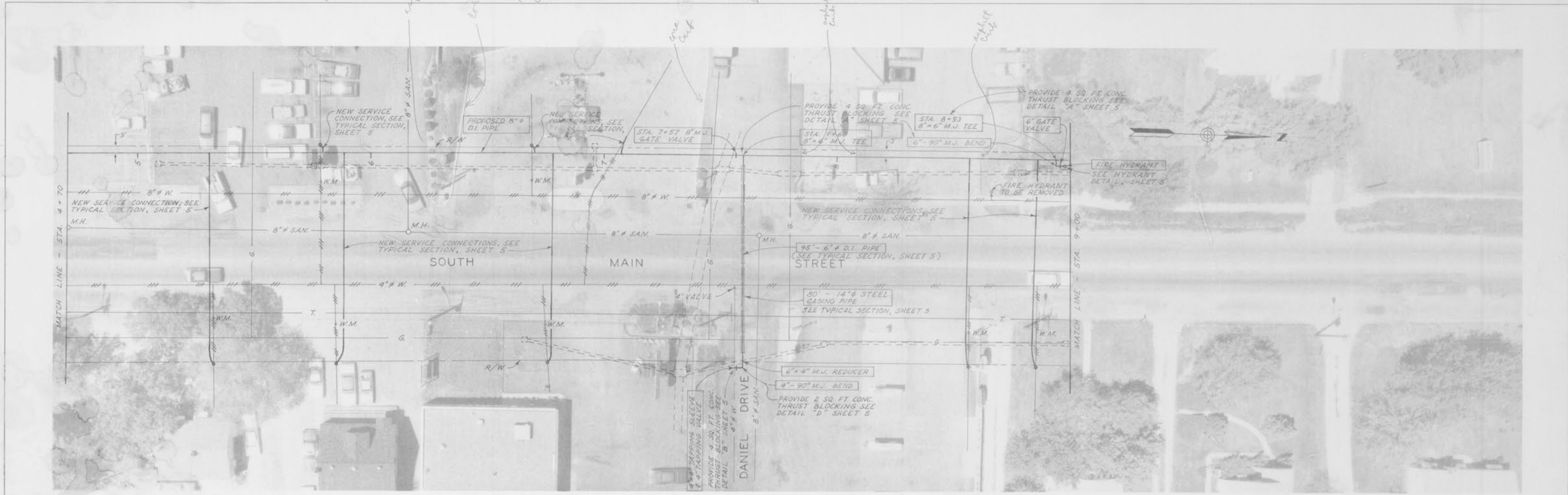


SHIRLEY ENGINEERING ASSOC. REGISTERED PROFESSIONAL ENGINEERS ST. LOUIS, MO.			
PROJECT	D.E.M.	DATE	MARKED
DRAWN	D.E.M.	SCALE	AS SHOWN
CHECKED	W.O.S.		
IN CHARGE	W.O.S.		

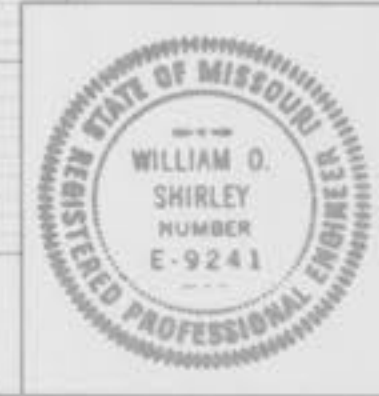


NO.	REVISIONS	DATE
CITY OF O'FALLON MISSOURI		
WATER SYSTEM IMPROVEMENTS STATE HWY. "M" - SO. MAIN STR. STA. 0+00 TO STA. 4+70		
SHIRLEY ENGINEERING ASSOC., INC. CONSULTING ENGINEERS ST. LOUIS, MO.		
DESIGNED	D.E.K.	DATE: MARCH - 1979
DRAWN	E.E.H.	SCALE: HOR. 1"=20'
CHECKED	A.P.D.	VERT. 1"=10'
CONTRACT	D-9287	SHEET 2 OF 5

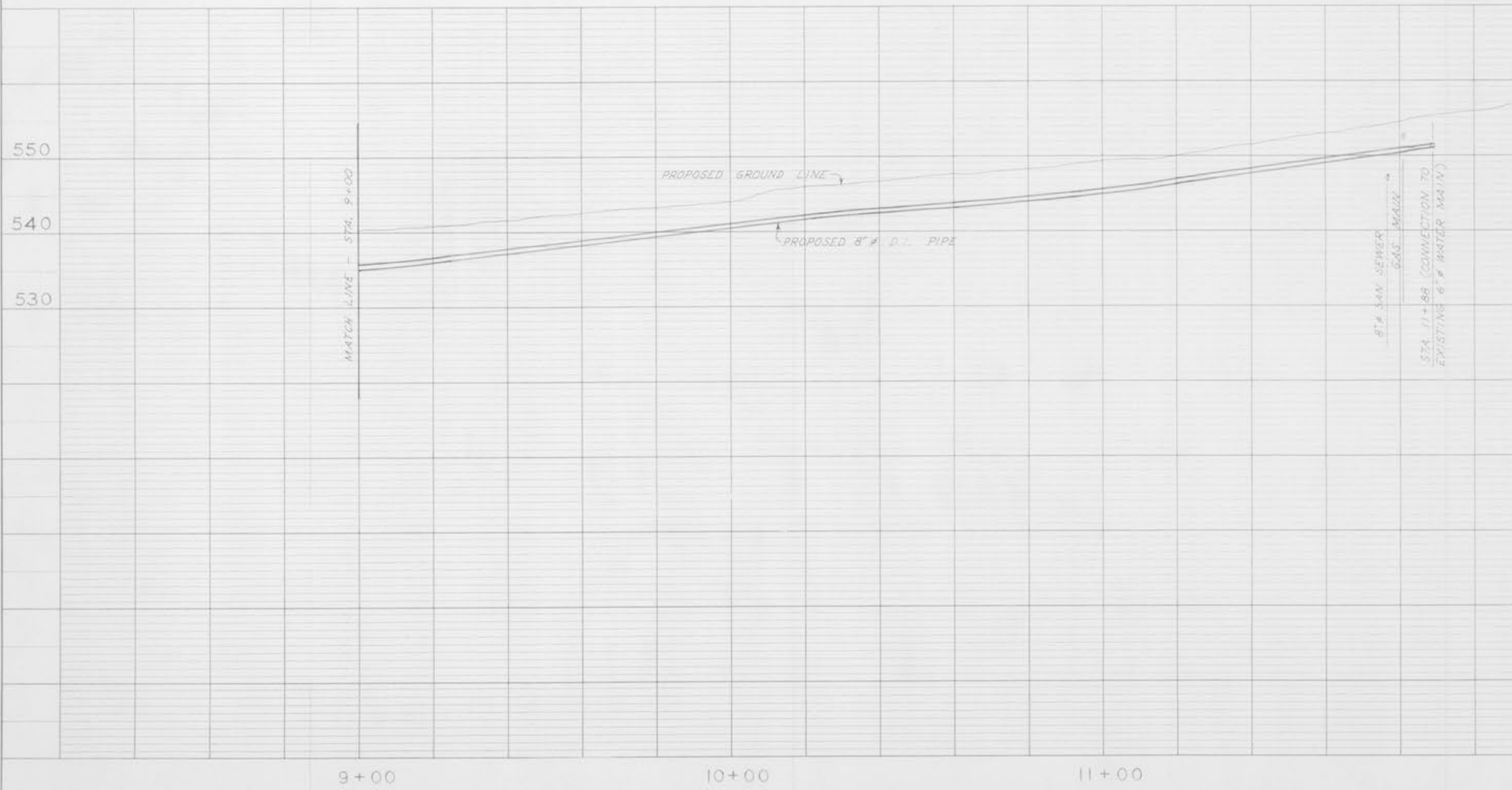
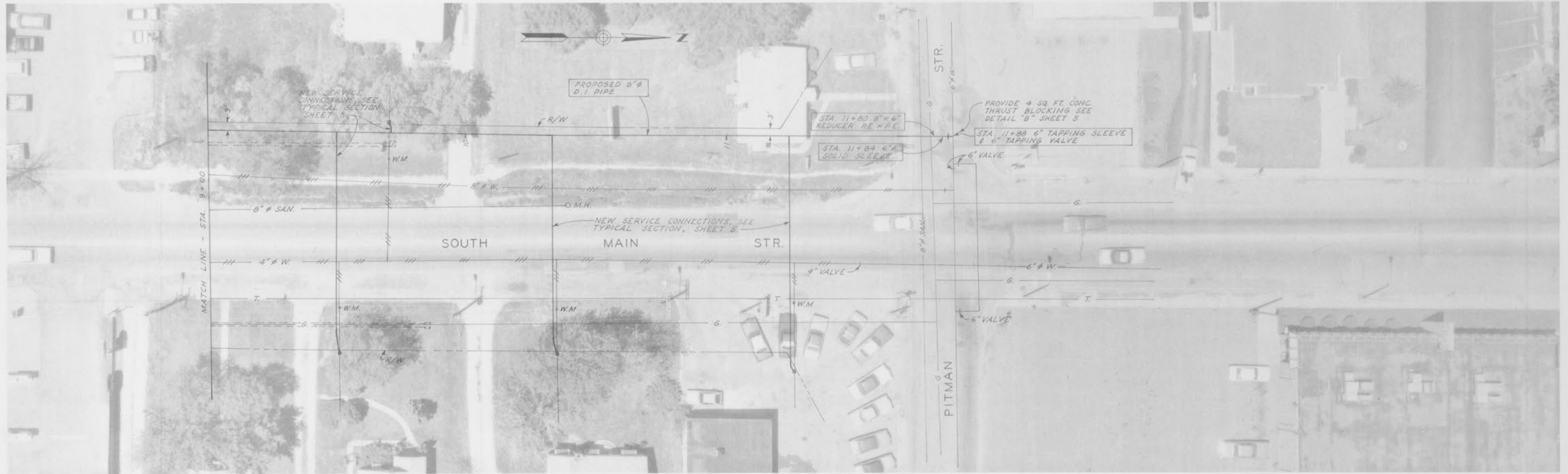




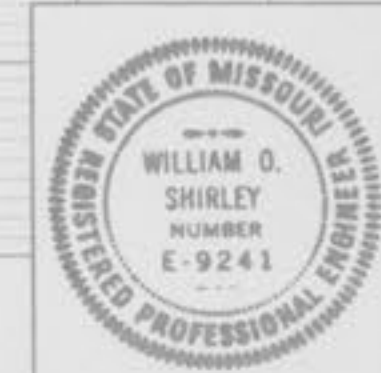
NO.	REVISIONS	DATE
CITY OF O'FALLON MISSOURI		
WATER SYSTEM IMPROVEMENTS STATE HWY. "M" - SO. MAIN STR. STA. 4+70 TO STA. 9+00		
SHIRLEY ENGINEERING ASSOC., INC. CONSULTING ENGINEERS ST. LOUIS, MO.		
DESIGNED:	D.E.H.	DATE: MARCH - 1979
DRAWN:	E.E.H.	SCALE: HOR. 1"=20'
CHECKED:	W.O.S.	SCALE: VERT. 1"=10'
CONTRACT:	D-3087	SHEET: 3 OF 5



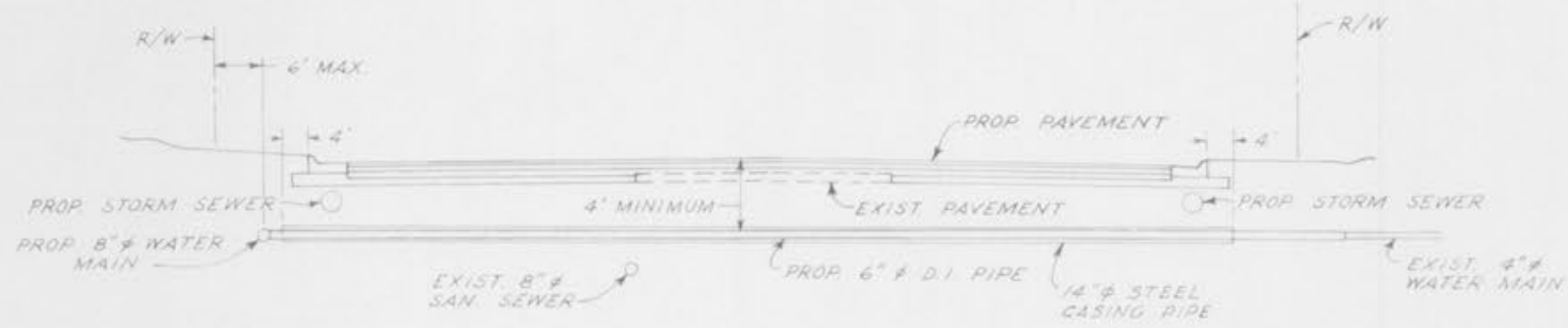
9(W)
Cone



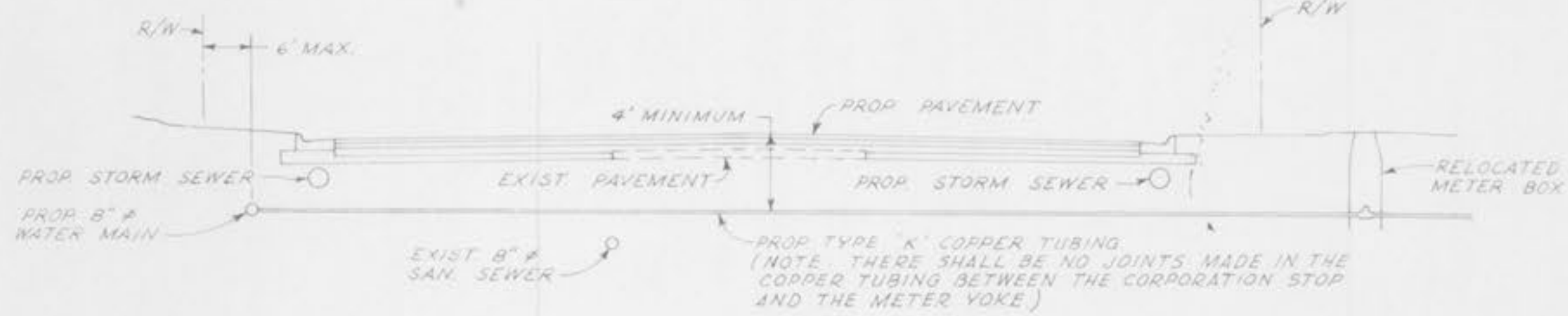
NO.	REVISIONS	DATE
CITY OF O'FALLON MISSOURI		
WATER SYSTEM IMPROVEMENTS STATE HWY. "M" - SO. MAIN STR. STA. 9+00 TO STA. 11+88		
SHIRLEY ENGINEERING ASSOC., INC. CONSULTING ENGINEERS ST. LOUIS, MO.		
DESIGNED	D.E.P.	DATE: MARCH - 1978
DRAWN	E.E.K.	SCALE: HOR. 1"=20'
CHECKED	W.O.S.	SCALE: VERT. 1"=10'
CONTRACT	0-9287	SHEET 4 OF 5



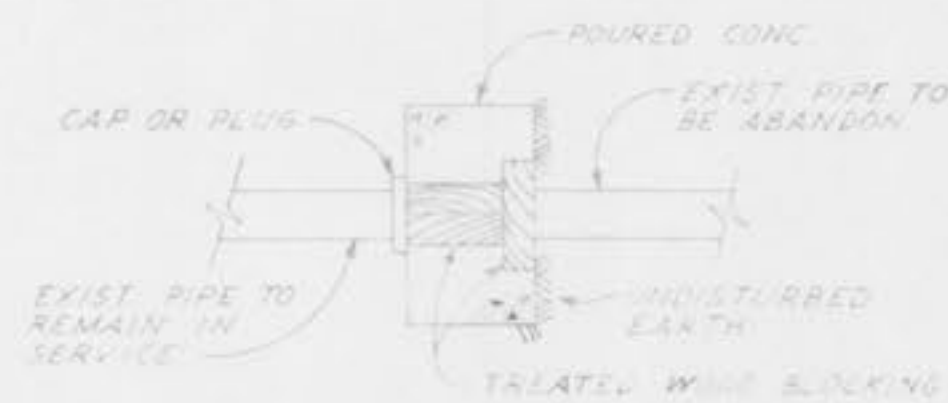
S
E



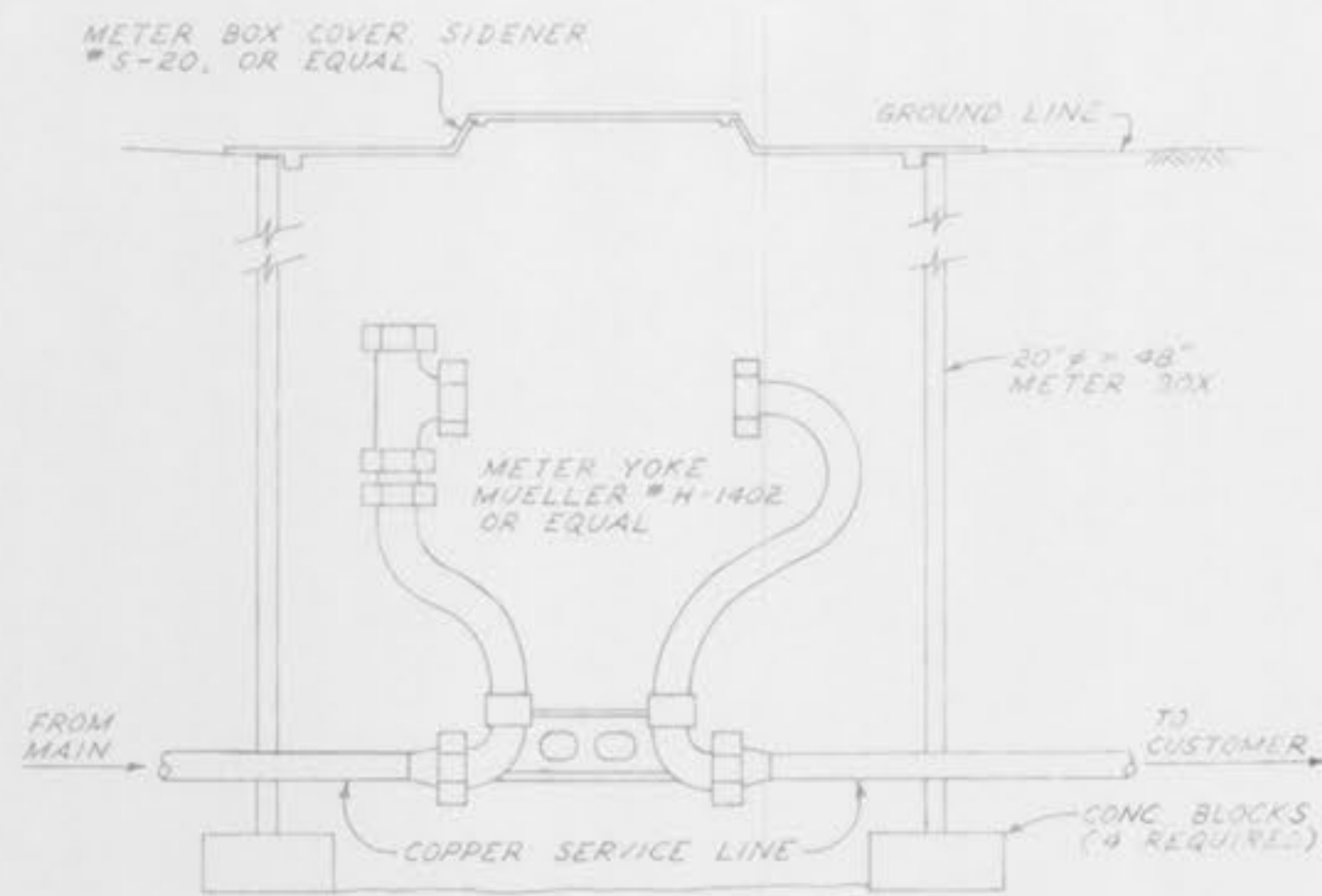
TYPICAL SECTION ROUTE M
WATER MAIN CROSSING
NO SCALE



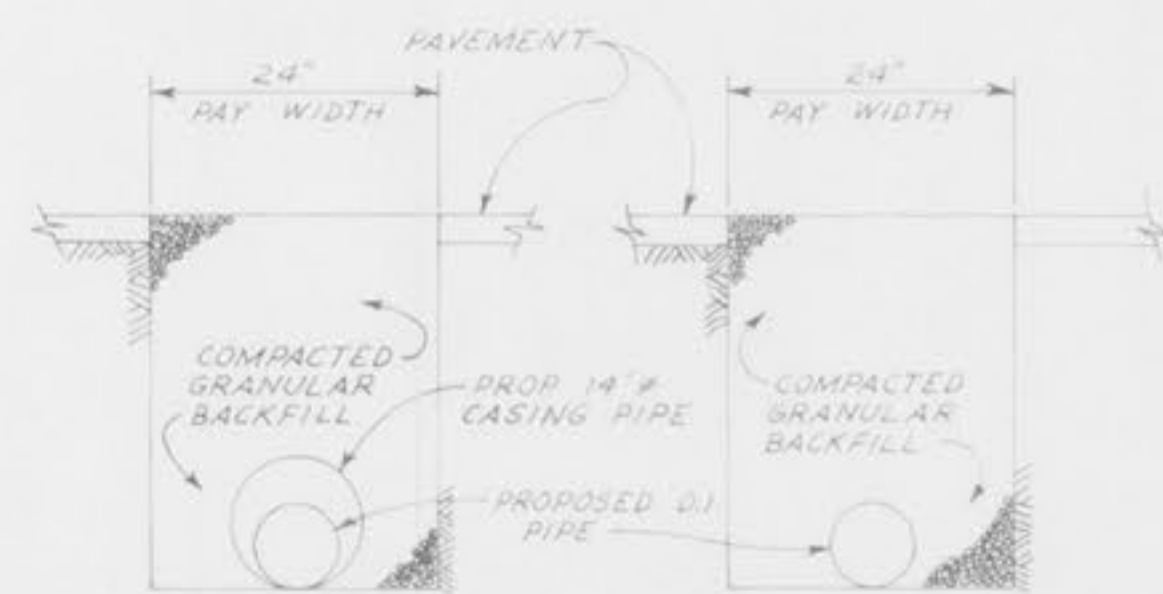
TYPICAL SECTION ROUTE M
WATER SERVICE CROSSING
NO SCALE



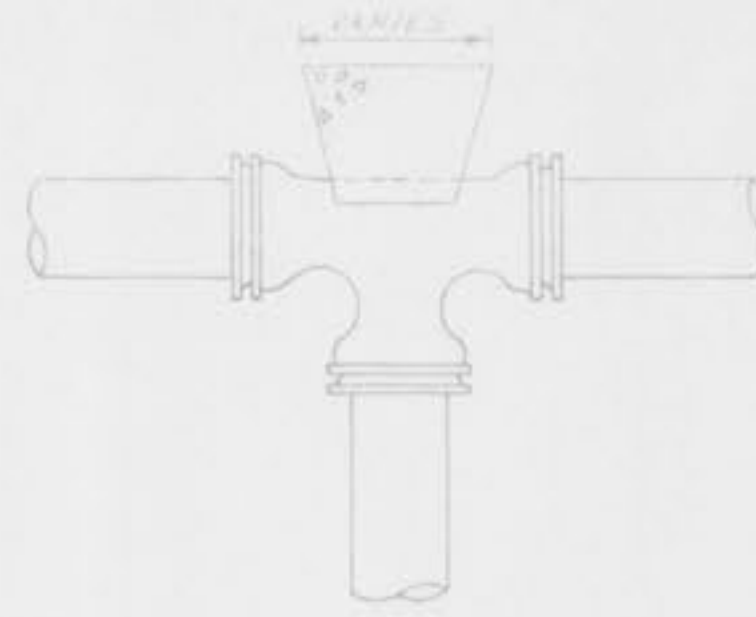
DETAIL "E"
NO SCALE



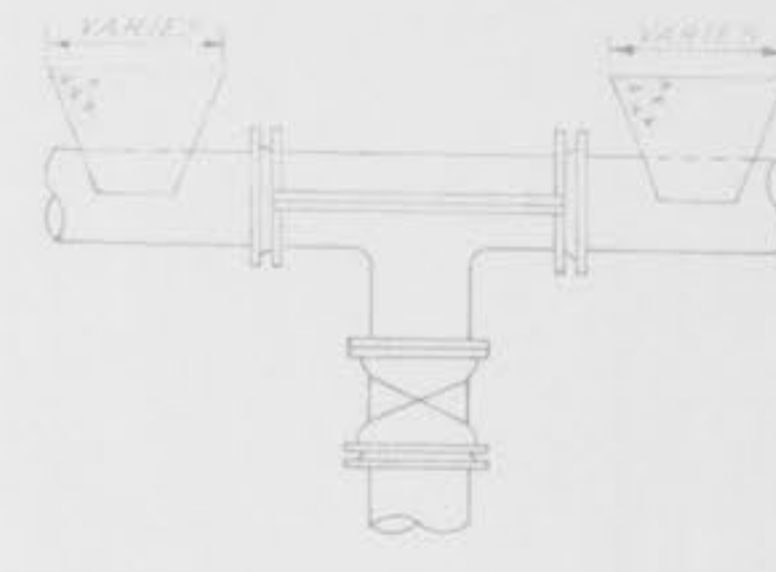
METER BOX DETAIL
NO SCALE



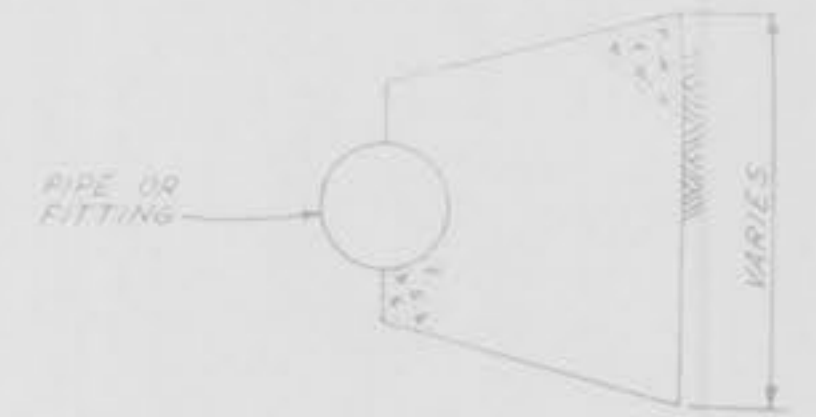
TYPICAL DITCH SECTIONS
NO SCALE



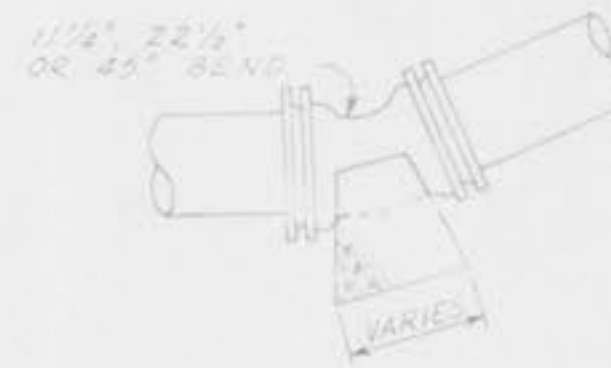
DETAIL "A"
NO SCALE



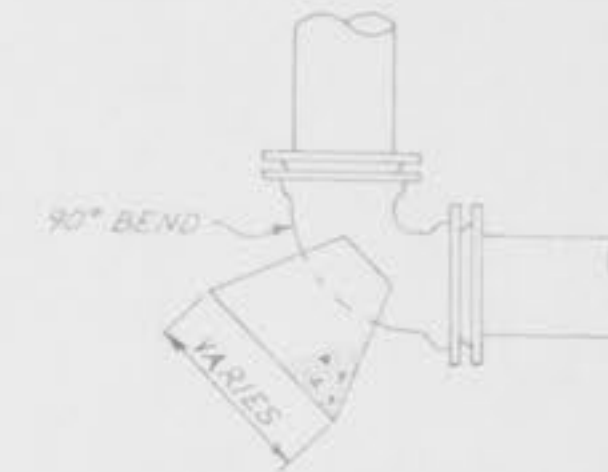
DETAIL "B"
NO SCALE



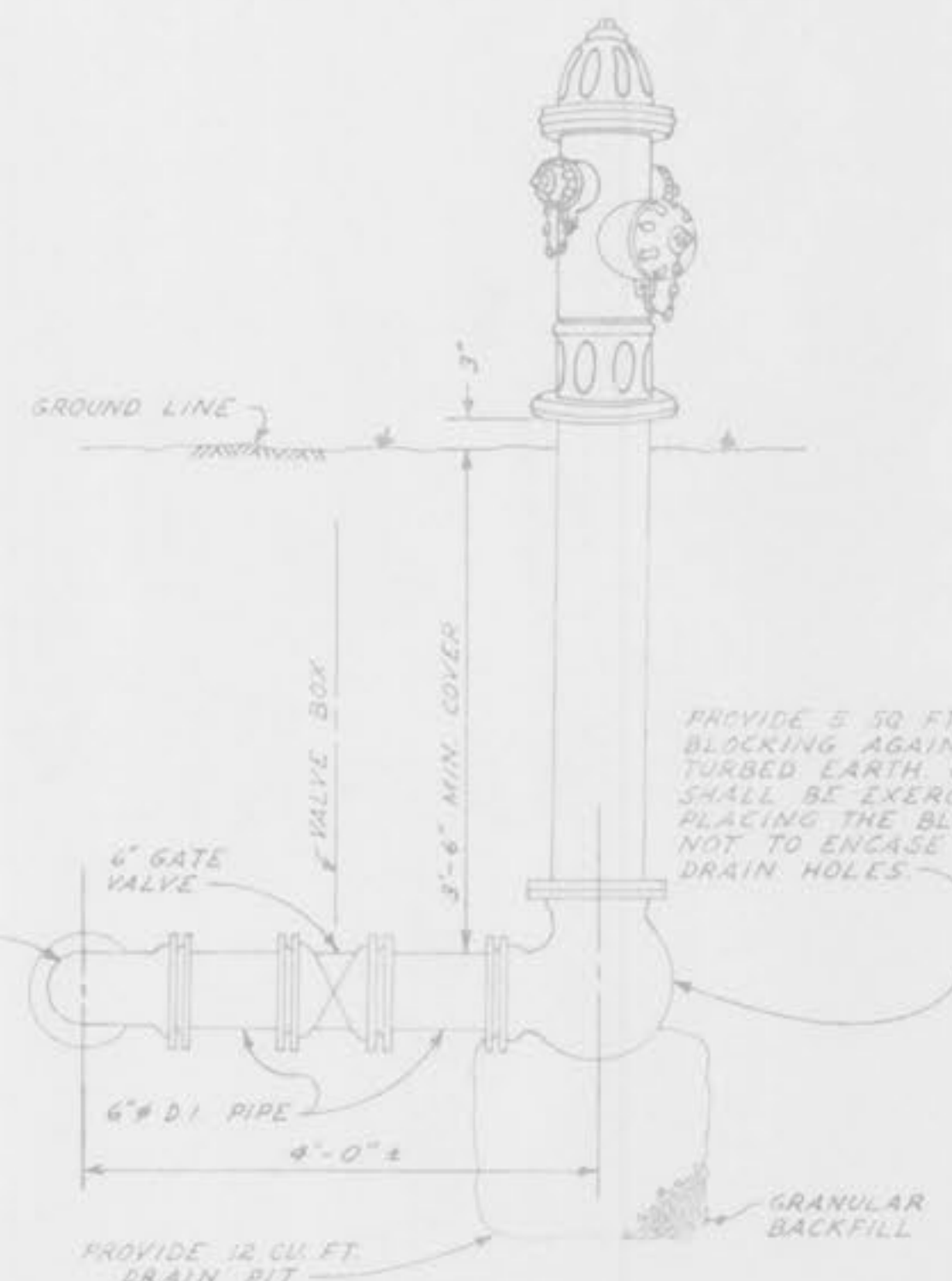
TYPICAL SECTION
THRU BLOCKING
NO SCALE



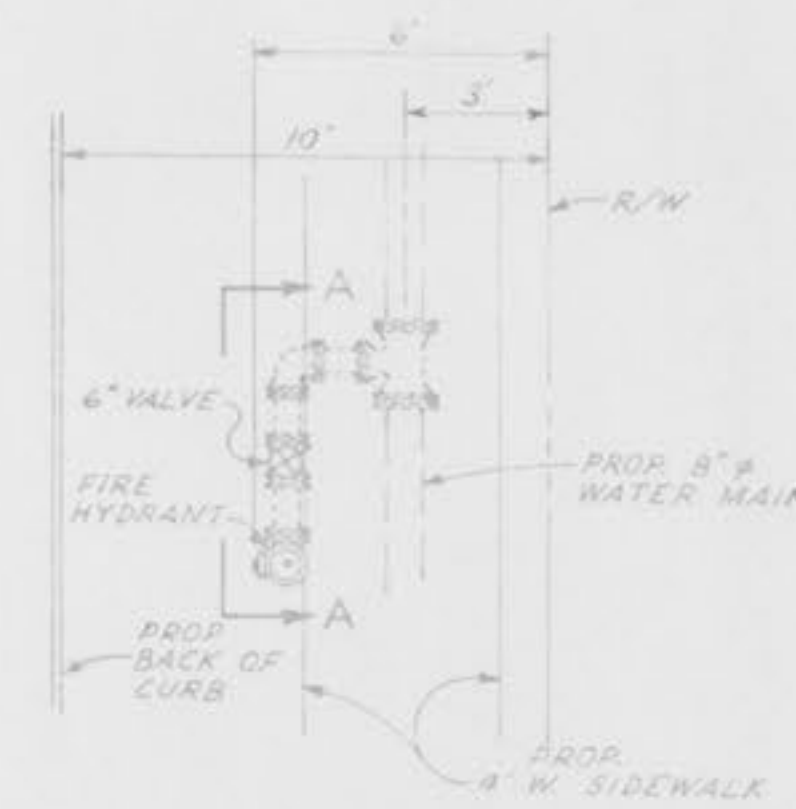
DETAIL "C"
NO SCALE



DETAIL "D"
NO SCALE



VIEW "A-A"
NO SCALE



PLAN
NO SCALE

TYPICAL HYDRANT DETAIL



NO. REVISIONS	
CITY OF O'FALLOON MISSOURI	
WATER SYSTEM IMPROVEMENTS DETAILS	
DESIGNED: D.E.	SHIRLEY ENGINEERING CONSULTANTS
DRAWN: E.E.	ST. LOUIS, MISSOURI
CHECKED: W.	
CONTRACT: D.	