

AS-BUILT SITE PLANS FOR THE O'FALLON WASTE TRANSFER STATION

A TRACT OF LAND LOCATED WITHIN U.S. SURVEY 54
TOWNSHIP 47 NORTH, RANGE 2 EAST
O'FALLON, MISSOURI

UTILITY COMPANIES

WATER -
ALLIANCE
410 EAST ELM STREET
O'FALLON, MO 63366

SANITARY SEWER DISTRICT -
ALLIANCE
410 EAST ELM STREET
O'FALLON, MO 63366

ELECTRIC -
AMEREN UE
200 NORTH CALLAHAN RD.
WENTZVILLE, MO 63385

GAS -
LACLEDE GAS
3950 FOREST PARK AVE.
ST. LOUIS, MO 63108

TELEPHONE -
GTE (VERIZON)
680 PARR RD, BUILDING AA
WENTZVILLE, MO 63385

SOUTHWESTERN BELL
402 NORTH THIRD ST.
ST. CHARLES, MO 63301

CABLE -
AT&T CABLE SERVICES
4160 OLD MILL PARKWAY
ST. PETERS, MO 63376

SCHOOL DISTRICT -
FORT ZUMWALT SCHOOL DISTRICT
110 VIRGIL
O'FALLON, MO 63366

FIRE DEPARTMENT -
O'FALLON FIRE PROTECTION DISTRICT
119 EAST ELM ST.
O'FALLON, MO 63366



CITY OF O'FALLON
COMMUNITY DEVELOPMENT
100 N. MAIN ST.
O'FALLON, MO 63366
(636) 240-2000

KEN MORGAN, P.E.
MANAGING DIRECTOR
COMMUNITY DEVELOPMENT

CHRISTINE LOOK, P.E.
DIRECTOR OF PUBLIC WORKS

INDEX OF SHEETS

SHEET NO.	DESCRIPTION
1	COVER SHEET
2	NOTES / QUANTITIES
3	GRADING PLAN
4	STREET PROFILES
5	STORM SEWER PROFILES
6	SANITARY SEWER PROFILES
7-9	DETAIL SHEETS

ABBREVIATIONS

AI	AREA INLET	M.O.	MIDDLE ORDINATE
ASPH.	ASPHALT	NO.	NUMBER
ATC	ADJUST TO GRADE	NTS	NOT TO SCALE
AT&GBO	ADJUST TO GRADE BY OTHERS OF	PB	PULL BOX
B	BASELINE	PC	POINT OF CURVATURE
B.O.	BY OTHERS	PCC	PORTLAND CEMENT CONCRETE
BEG.	BEGINNING	PDE	PERMANENT DRAINAGE EASEMENT
BLD.	BUILD	PI	POINT OF INTERSECTION
BM	BENCHMARK	PP	POWER POLE
C	CENTERLINE	PROP.	PROPOSED
C.E.	COMMERCIAL ENTRANCE	PS	PRIVATE SIGN
CHIS.	CHISELED	PT	POINT OF TANGENT
CI	CURB INLET	PVC	POINT OF VERTICAL CURVATURE
CL	CONSTRUCTION LIMIT	PVC	OR POLYVINYL CHLORIDE
CLF	CHAIN LINK FENCE	PVI	POINT OF VERTICAL INTERSECTION
COMP.	CORRUGATED METAL PIPE	PVT	POINT OF VERTICAL TANGENT
CONC.	CONCRETE	R	RADIUS
CONST.	CONSTRUCTION/CONSTRUCT	R/W	RIGHT-OF-WAY
COR.	CORNER	RCP	REINFORCED CONCRETE PIPE
CSB	CABLE SPLICE BOX	RD.	ROAD
CT	COURT	R.E.	RESIDENTIAL ENTRANCE
DCI	DOUBLE CURB INLET	RET	RETAINING
DR.	DRIVE	RT	RIGHT
EL.	ELEVATION	SG	SIDEWALK
DP	EDGE OF PAVEMENT	SGI	SPECIAL GRATE INLET
ELEV.	ELEVATION	SHLDR.	SHOULDER
EX	EXISTING	SS	STREET SIGN
EXST.	EXISTING	S.S.D.	STOPPING SIGHT DISTANCE
FC	FACE OF CURB	STA.	STATION
FES	FLARED END SECTION	SURF.	SURFACE
F	FLOWLINE	TBA	TO BE ABANDONED
GD	GUARD POST	TBA	TO BE ADJUSTED
GI	GRATE INLET	TBM	TEMPORARY BENCHMARK
GM	GAS METER	TBR	TO BE REMOVED
GT	GRADED TROUGH	TBR&R	TO BE REMOVED AND REPLACED
GV	GAS VALVE	TBR&RBO	TO BE REMOVED AND REPLACED BY OTHERS
GWA	GLY WIRE ANCHOR	T.C.E.	TEMPORARY CONSTRUCTION EASEMENT
GWS/OWS	GAS/OIL WARNING SIGN	TEMP.	TEMPORARY
HR	HORIZONTAL	TSB	TELEPHONE SPLICE BOX
INV.	INVERT	TL	TRAFFIC LIGHT
IP	IRON PIN	TYP.	TYPICAL
K	RATE OF VERTICAL CURVE	UP	USE IN PLACE
LN	LANE	VC	VERTICAL CURVE
LS	LIGHT STANDARD	VCP	VITRIFIED CLAY PIPE
LT	LEFT	WM	WATER METER
M	METER	WV	WATER VALVE
MB	MAIL BOX		
MH	MANHOLE		
MISC.	MISCELLANEOUS		

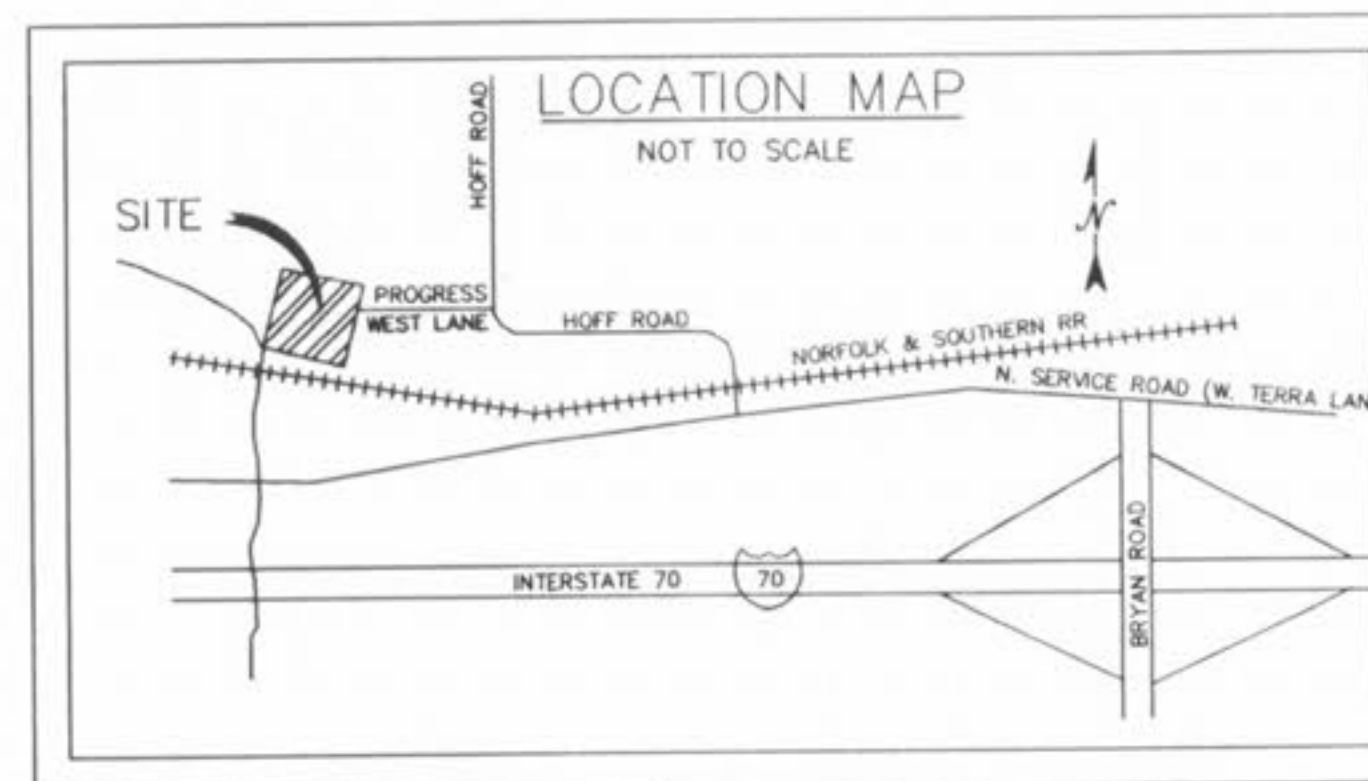
Control Point #1

OLD IRON PIPE
N. 4825.5745
E. 4793.2946

Control Point #2

SET IRON PIPE
N. 4968.2869
E. 4979.3053

SITE BENCHMARK:
NORTH EAST CORNER OF TOP OF EXISTING CURB INLET ELEV. 562.71
USGS BENCHMARK:
CHISELED SQUARE IN FIRST CONCRETE PIER OF N&S RAILROAD BRIDGE FROM WEST SIDE OF PERUGUE CREEK ON EAST FACE. ELEV. 476.53



DISCLAIMER OF RESPONSIBILITY
I HEREBY CERTIFY THAT THE DOCUMENTS REFERRED TO IN THIS SHEET, AND HEREBY SIGNIFY MY RESPONSIBILITY FOR ALL OTHER DRAWINGS, SPECIFICATIONS, ESTIMATES, REPORTS OR OTHER DOCUMENTS PREPARED BY OTHERS AND INTENDED TO BE USED FOR ANY PART OR PARTS OF THE ARCHITECTURAL OR ENGINEERING PROJECT OR SURVEY.



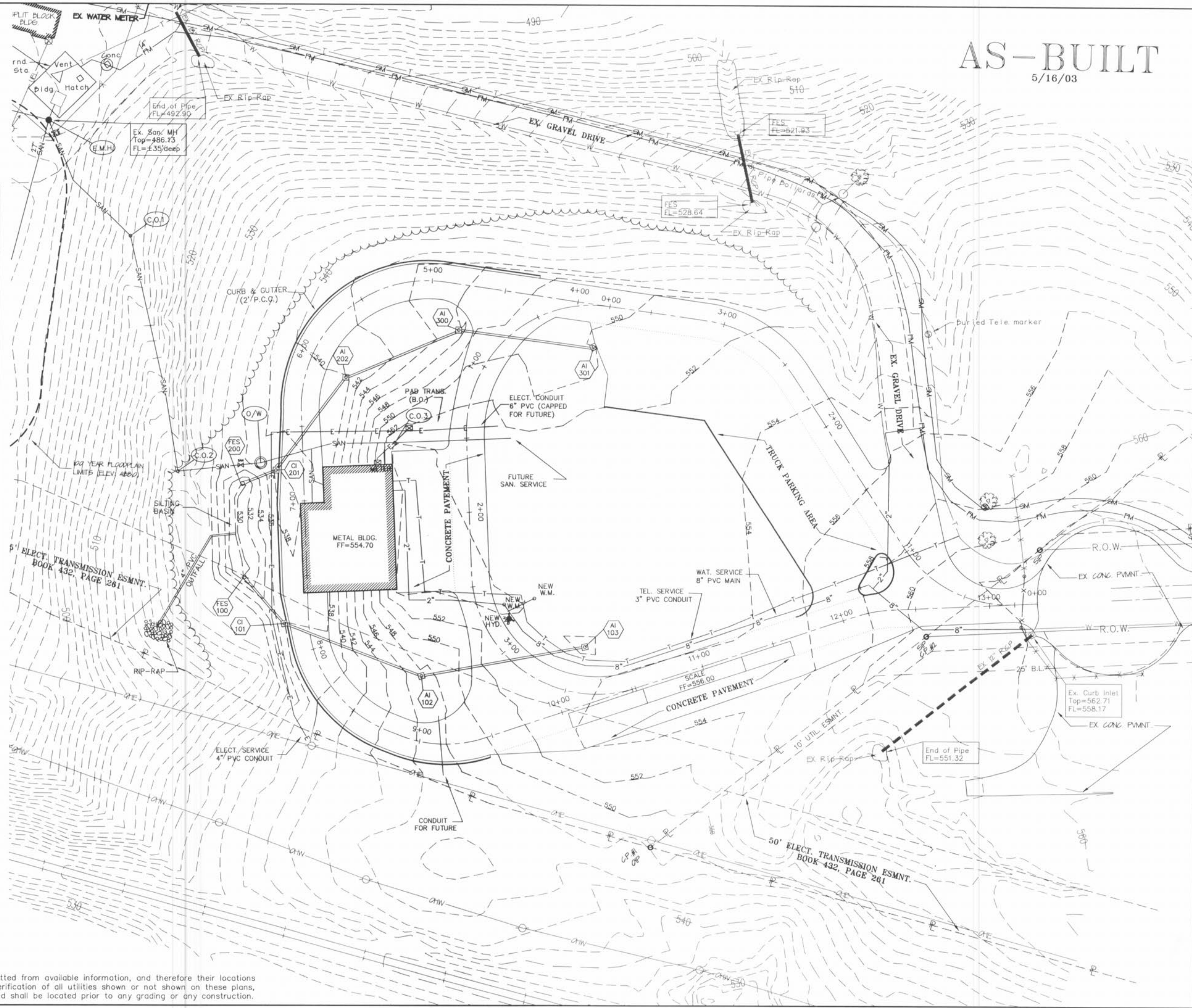
CRISWELL ENGINEERING
1663 NORTH MAIN STREET
O'FALLON, MO 63366
(636) 240-4031

REVISIONS

AS-BUILT

5/16/03

- LEGEND**
- Building
 - Telephone Line
 - Fence
 - Water Line
 - Tree Line
 - Stream or Swale
 - Brush/Shrub Line
 - Index Contour
 - Intermediate Contour
 - Ex. Storm Sewer
 - Overhead Electric
 - Overhead Wires
 - Control Point
 - Railroad
 - Gravel Road
 - Property Line
 - Easement
 - Centerline
 - Sanitary Sewer
 - Sanitary Force Main
 - Sanitary Sludge Main
 - Spot Elevation
 - Small Tree
 - Located Object
 - Catch Basin
 - Manhole
 - Pole
 - Sign
 - Fire Hydrant
 - Light Pole
 - Large Tree
 - Old Iron Pipe
 - Set Iron Pipe



CITY OF FALLON, MISSOURI
 100 NORTH MAIN STREET
 O'FALLON, MO. 63366

CRISWELL ENGINEERING
 P.O. BOX 128
 TROY, MISSOURI 63379
 (636) 262-7961

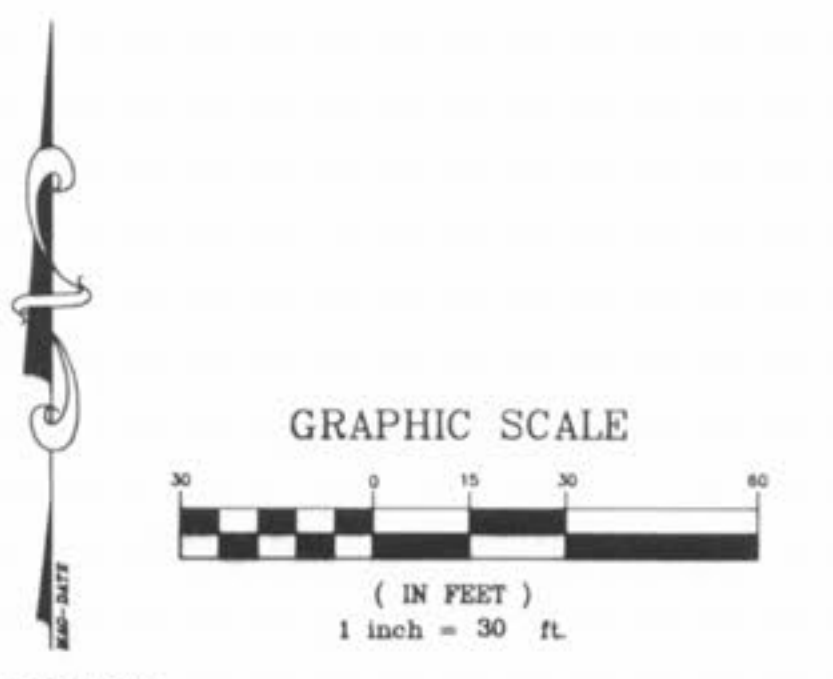
REVISIONS

I HEREBY SPECIFY THAT THE DOCUMENTS REFERRED TO IN THIS SHEET, AND I HEREBY DISCLAIM ANY RESPONSIBILITY FOR ALL OTHER DRAWINGS, SPECIFICATIONS, CONTRACTS, AGREEMENTS OR OTHER DOCUMENTS OR INSTRUMENTS RELATED TO OR ATTACHED TO BE USED FOR ANY PART OR PARTS OF THE ARCHITECTURAL OR ENGINEERING PROJECT OR SUBJECT.



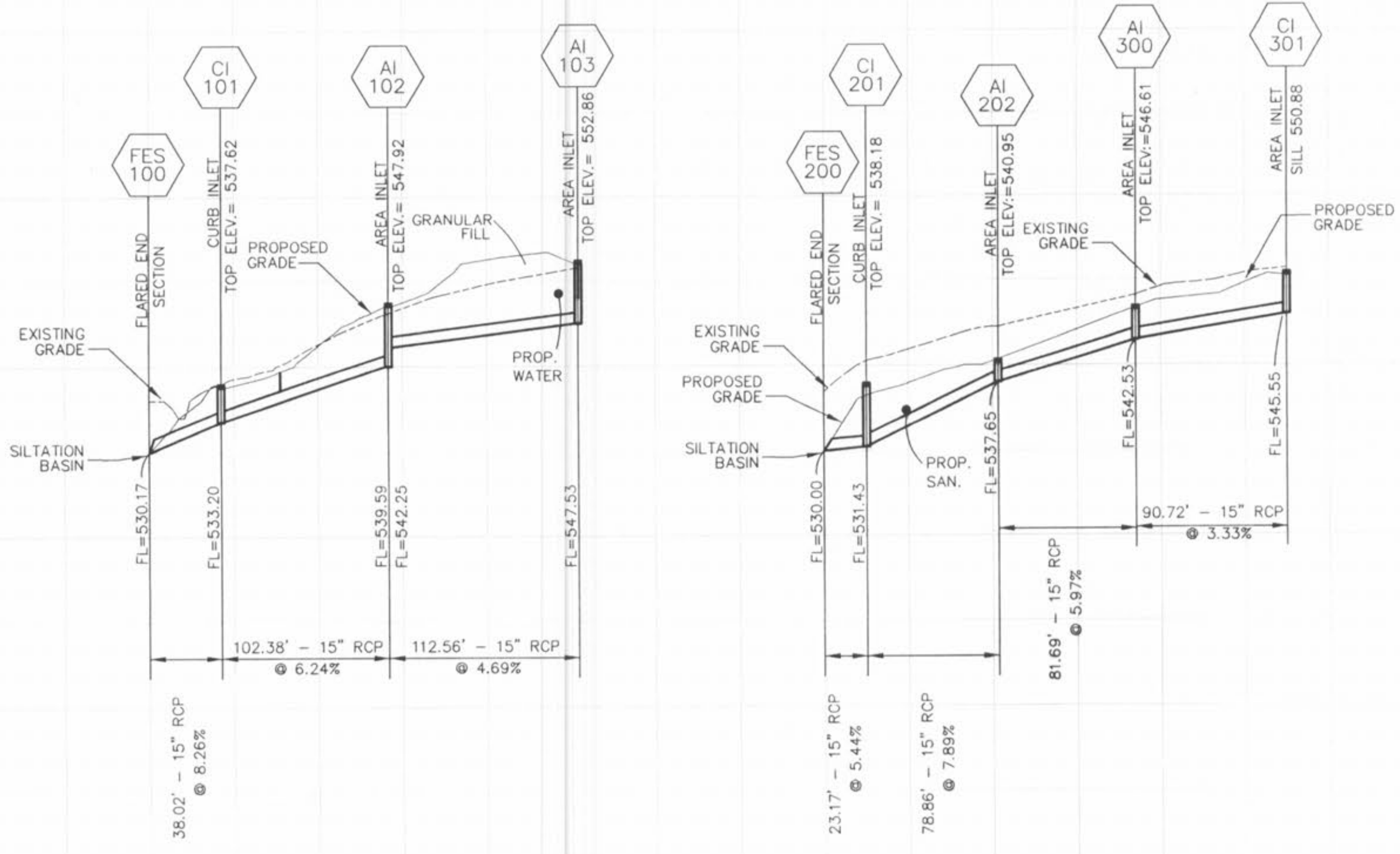
DESIGNED: JAC
 CHECKED: DKT
 DATE: 5/16/03
 PROJECT NO.: 02-003

FLAT PLAN
 SHEET 1



ATTENTION:
 All utilities shown on this survey have been plotted from available information, and therefore their locations should be considered approximate only. The verification of all utilities shown or not shown on these plans, shall be the responsibility of the contractor, and shall be located prior to any grading or any construction.

570
560
550
540
530
520
510



STORM PROFILES

SCALE: 1" = 10' VERTICAL
1" = 50' HORIZONTAL

570
560
550
540
530
520
510

AS-BUILTS

5/16/03

CITY OF FALLON, MISSOURI
100 NORTH MAIN STREET
O'FALLON, MO. 63366
WASTE TRANSFER STATION
AS-BUILTS

CRISWELL ENGINEERING
1663 NORTH MAIN STREET
O'FALLON, MISSOURI 63366
(636) 240-4031

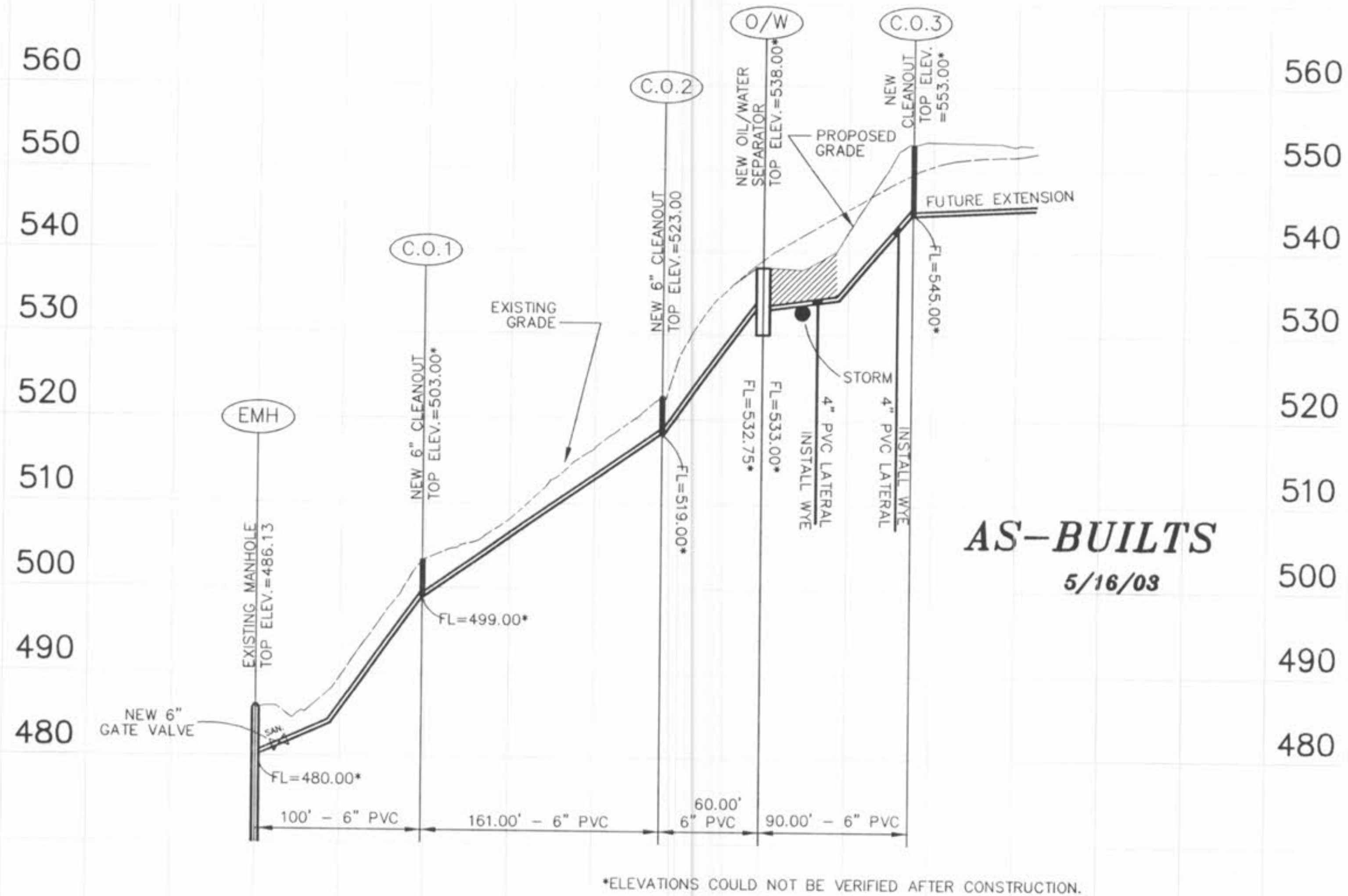
REVISIONS

I HEREBY CERTIFY THAT THE DOCUMENTS INTENDED TO BE AUTHORIZED BY MY SEAL AND SIGNED TO THIS SHEET, AND I HEREBY DISCLAIM ANY RESPONSIBILITY FOR ALL OTHER DOCUMENTS, SPECIFICATIONS, ESTIMATES, REPORTS OR OTHER DOCUMENTS OR INSTRUMENTS RELATED TO BE ASSIGNED TO BE USED FOR ANY PART OF THE PROJECT OF THE ARCHITECTURAL OR ENGINEERING PROJECT OR SUBJECT.



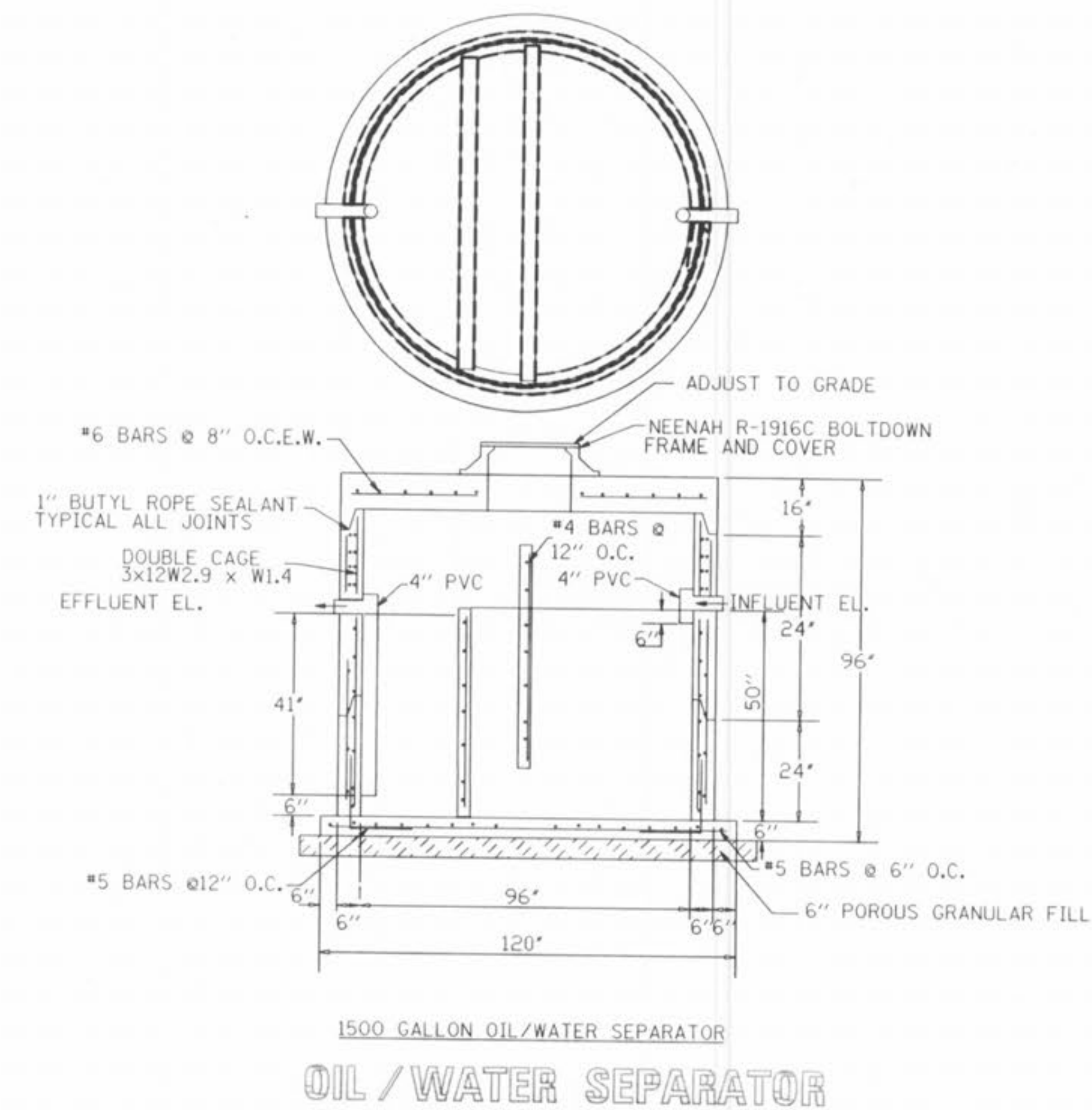
DESIGNED: TAC
CHECKED: DK
DATE: 5/16/03
PROJECT NO.: QF-001

STORM PROFILES
SHEET 2



*ELEVATIONS COULD NOT BE VERIFIED AFTER CONSTRUCTION.

AS-BUILTS
5/16/03



1500 GALLON OIL/WATER SEPARATOR
OIL/WATER SEPARATOR

CITY OF O'FALLON, MISSOURI
100 NORTH MAIN STREET
O'FALLON, MO. 63366

CRISWELL ENGINEERING
1663 NORTH MAIN STREET
O'FALLON, MO 63366
(636) 240-4031

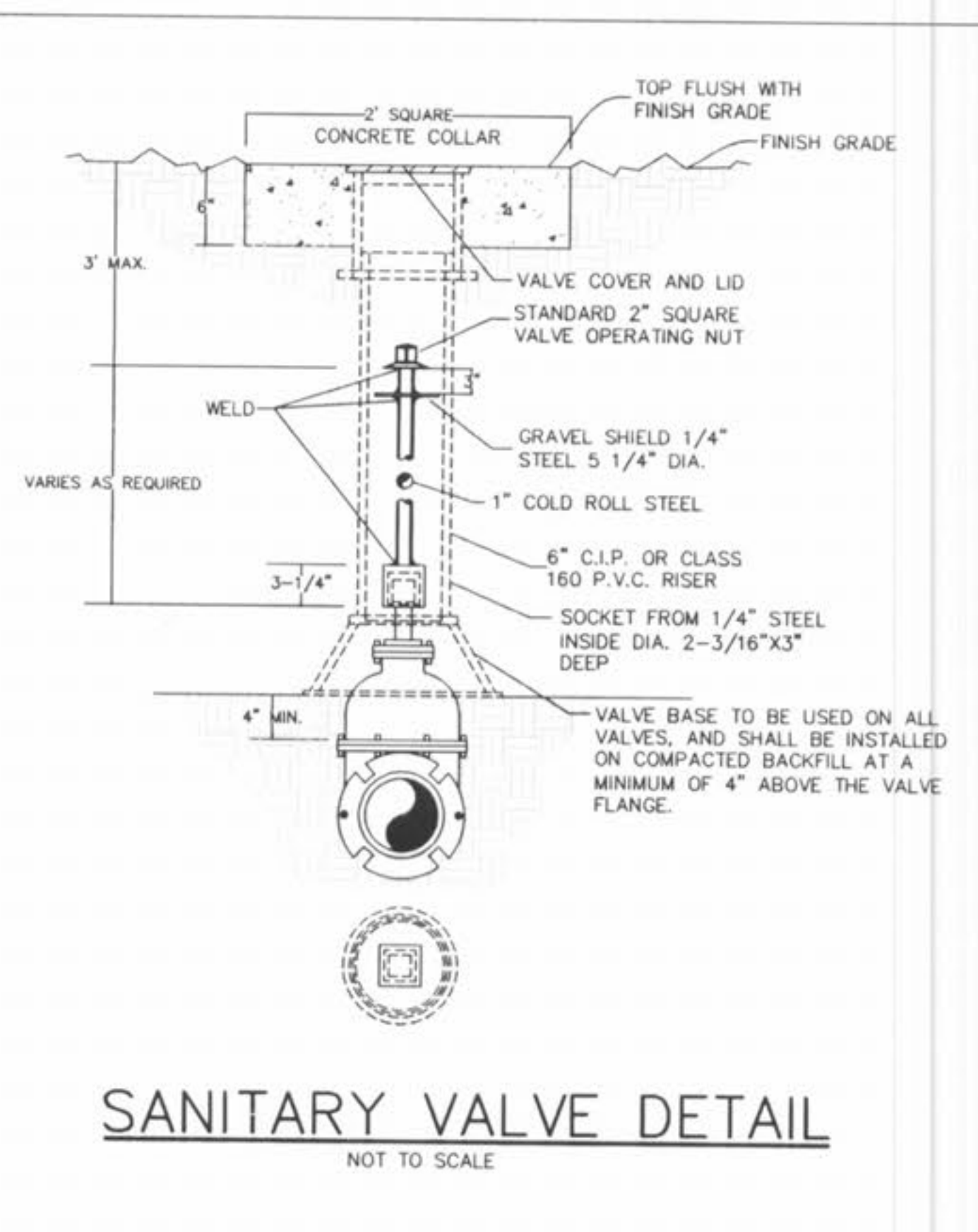
WASTE TRANSFER STATION
AS-BUILTS

REVISIONS

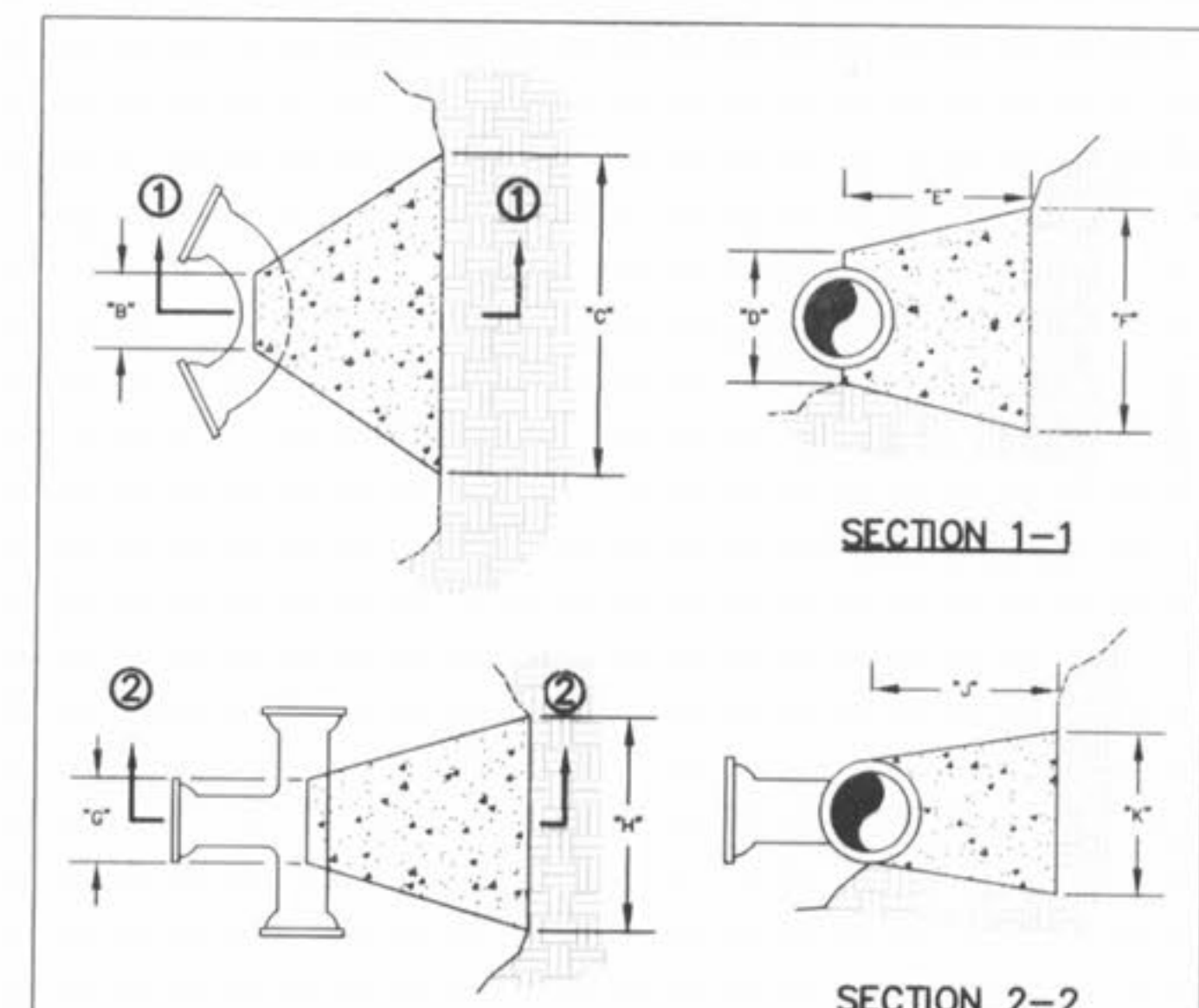
I HEREBY CERTIFY THAT THE DOCUMENTS INTENDED TO BE AUTHORIZED BY MY SEAL ARE LIMITED TO THE SHEETS AND FIGURES SPECIFICALLY REFERENCED HEREON AND I AM NOT RESPONSIBLE FOR ANY OTHER DRAWINGS, SPECIFICATIONS, ESTIMATES, REPORTS OR OTHER DOCUMENTS OR INSTRUMENTS RELATING TO OR ATTACHED TO BE USED FOR ANY PART OR PARTS OF THE ARCHITECTURAL OR ENGINEERING PROJECT OF WHICH THIS IS A PART.



DESIGNED: TAC
CHECKED: DK
DATE: 5/16/03
PROJECT NO.: 02-001
SANITARY PROFILES
SHEET 3



SANITARY VALVE DETAIL
NOT TO SCALE



BENDS	"B"	"C"	"D"	"E"	"F"
6"-11 1/4"	8"	15"	12"	24"	10"
6"-22 1/2"	8"	19"	12"	24"	13"
6"-45"	8"	30"	12"	24"	14"
6"-90"	8"	30"	12"	24"	27"
8"-11 1/4"	8"	20"	12"	24"	10"
8"-22 1/2"	8"	22"	12"	24"	17"
8"-45"	8"	30"	12"	24"	24"
8"-90"	8"	38"	12"	24"	38"
12"-11 1/4"	8"	30"	12"	24"	10"
12"-22 1/2"	8"	35"	12"	24"	25"
12"-45"	8"	40"	12"	24"	40"
12"-90"	8"	60"	12"	24"	52"

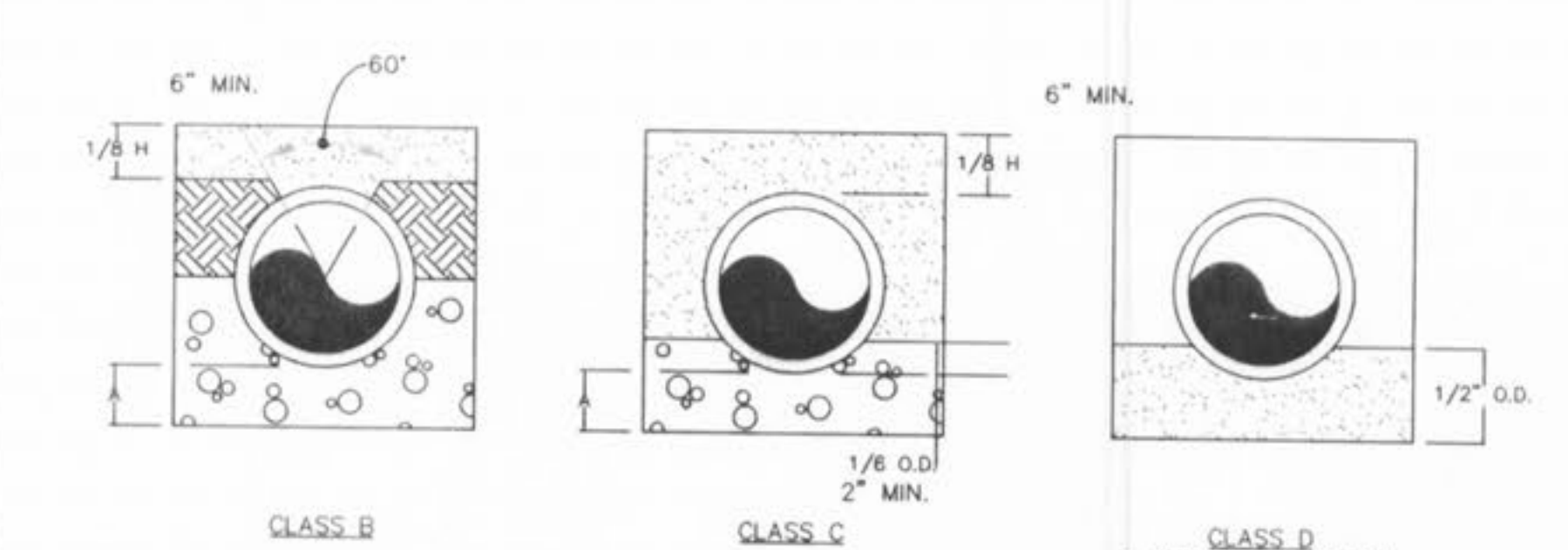
TEES	"G"	"H"	"J"	"K"
6"x6"x6"	12"	24"	24"	18"
8"x8"x8"	12"	24"	24"	18"
8"x8"x8"	12"	24"	24"	24"
12"x12"x8"	12"	24"	24"	18"
12"x12"x8"	12"	24"	24"	24"
12"x12"x12"	12"	36"	24"	36"

CUBIC FEET OF CONCRETE REQUIRED	BEND	11 1/4"	22 1/2"	45"	90"
6"	1.7	2.4	3.5	5.5	
8"	2.1	3.1	5.0	8.5	
12"	3.7	5.9	9.7	17.5	

TEE X	6"	8"	12"	PLUG
6"	4.0	~	~	4.0
8"	4.0	5.0	~	5.0
12"	4.0	5.5	10.5	10.5

NOTES:
1. 2" & 4" FITTINGS EQUIVALENT TO 8" FITTINGS.
2. TAPPING SLEEVES TO HAVE BACKING BLOCKS SAME SIZE AS REQUIRED FOR TEES.

BACKING BLOCKS
NOT TO SCALE



LEGEND
I.D. - NOMINAL PIPE SIZE
O.D. - OUTSIDE DIAMETER OF PIPE
H - COVER ABOVE TOP OF PIPE
A - EMBEDMENT BELOW PIPE (SEE TABLE)

TABLE OF EMBEDMENT DEPTHS BELOW PIPE

I.D.	A MIN. SOIL	A MIN. ROCK
27" & SMALLER	3"	6"

GRANULAR BEDDING SHALL BE CRUSHED ROCK OR PEA GRAVEL WITH NOT LESS THAN 95% PASSING 1/2" (95% PASSING 3/4" FOR 30" AND LARGER PIPE) AND NOT LESS THAN 95% RETAINED ON A #4; TO BE PLACED IN NOT MORE THAN 6" LAYERS AND COMPACTED BY SLICING WITH A SHOVEL OR VIBRATING.

COMPACTED BACKFILL SHALL BE FINELY DIVIDED JOB EXCAVATED MATERIAL FREE FROM DEBRIS, ORGANIC MATERIAL AND STONES, PLACED IN UNIFORM LAYERS NOT MORE THAN 6" THICK, COMPACTED TO 95% MAXIMUM DENSITY AS DETERMINED BY A.S.T. D698, OR GRADED AGGREGATE. GRANULAR BACKFILL MATERIAL MAY BE SUBSTITUTED FOR ALL OR PART OF COMPACTED BACKFILL.

TAMPED BACKFILL SHALL BE FINELY DIVIDED JOB EXCAVATED MATERIAL FREE FROM DEBRIS, ORGANIC MATERIAL AND STONES, HAND PLACED IN UNIFORM LAYERS NOT MORE THAN 8" THICK AND TAMPED AROUND CONDUIT PIPE. GRANULAR BACKFILL MATERIAL MAY BE SUBSTITUTED FOR ALL OR PART OF TAMPED BACKFILL.

TRENCH BACKFILL SHALL BE AS REQUIRED IN THE "LAYING AND BACKFILL" SECTION OF THE DETAILED SPECIFICATIONS.

EMBEDMENT THE TYPE OF EMBEDMENT TO BE USED SHALL BE AS SPECIFIED IN THE PLANS AND SPECIFICATIONS.

SANITARY SEWER EMBEDMENT
NOT TO SCALE