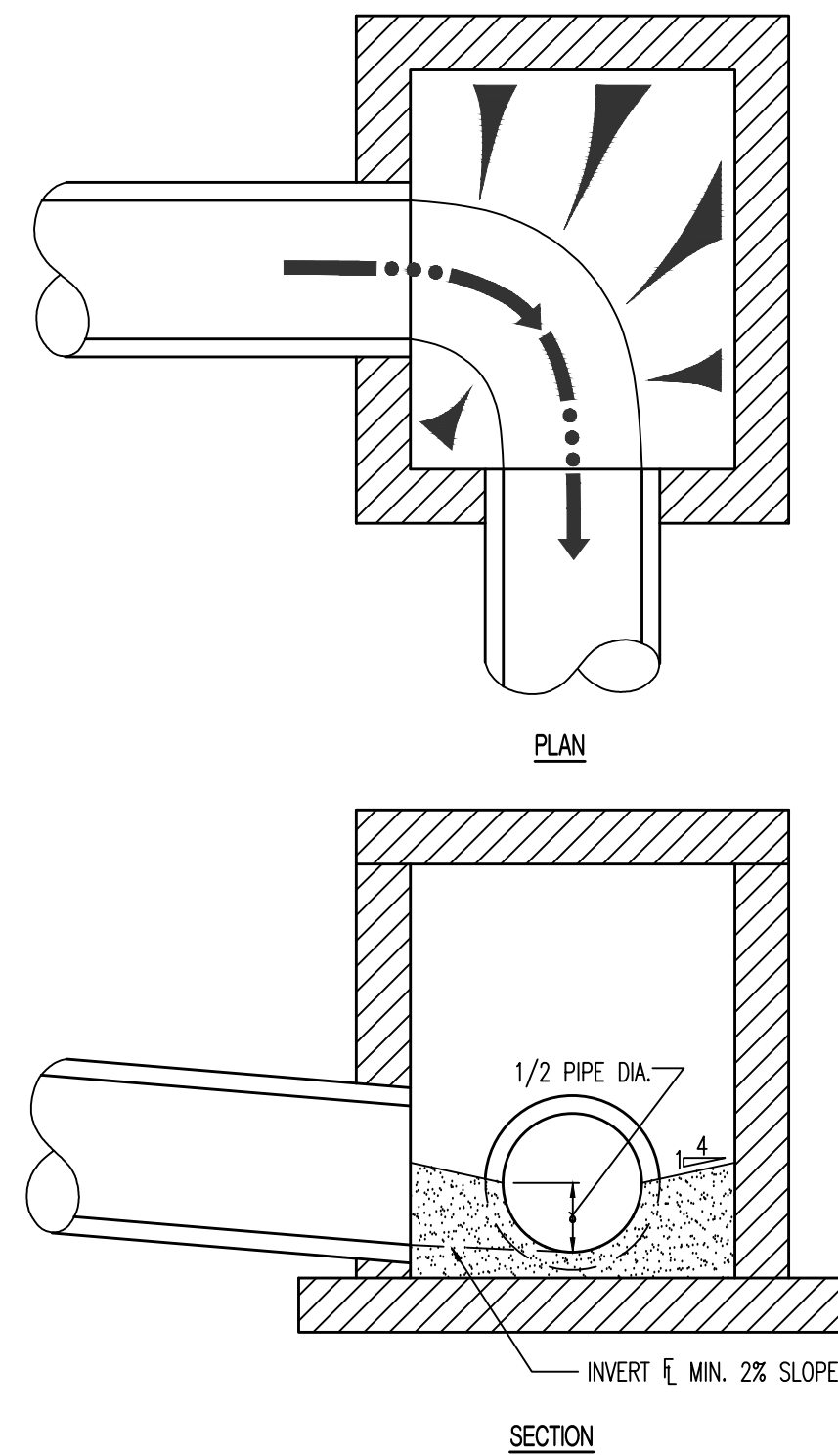


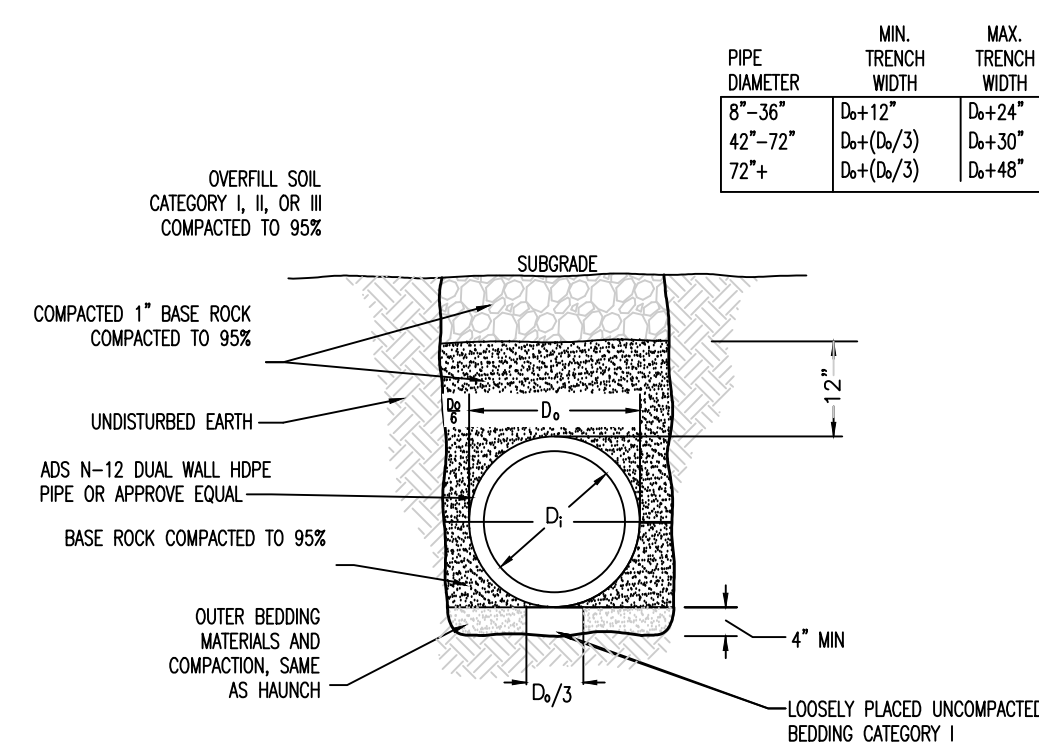
- NOTES:
1. STEPS NOT REQUIRED WHERE H IS LESS THAN 4".
 2. CAST IRON STEPS SHALL BE AMERICAN ML-10-NCR OR EQUAL.
 3. STEPS SHALL BE PLACED ON VACANT WALL WHEN POSSIBLE.
 4. MANHOLE RING SHALL BE OFFSET TOWARD WALL WITH STEPS.
 5. MANHOLE RING SHALL BE CENTERED ON CENTERLINE OF STEPS.
 6. STAGGER STEPS 2" EACH WAY FROM CENTERLINE OF MANHOLE RING.
 7. TOP STEP 24" BELOW TOP OF SLAB.
 8. STEP SPACING TO BE 16", BOTTOM STEP TO BE NO HIGHER THAN 16" FROM INVERT.

DRAINAGE STRUCTURE STEPS

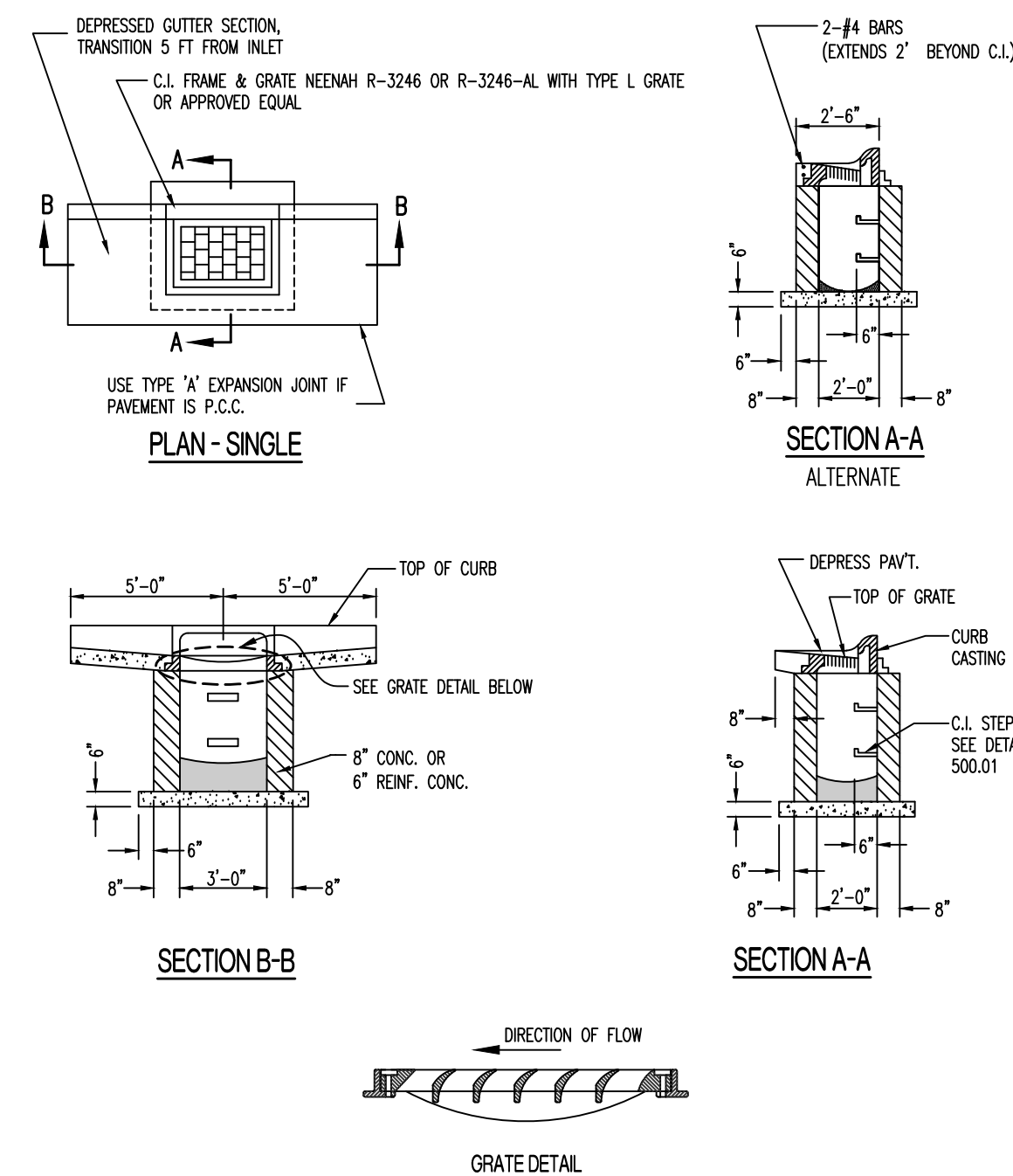
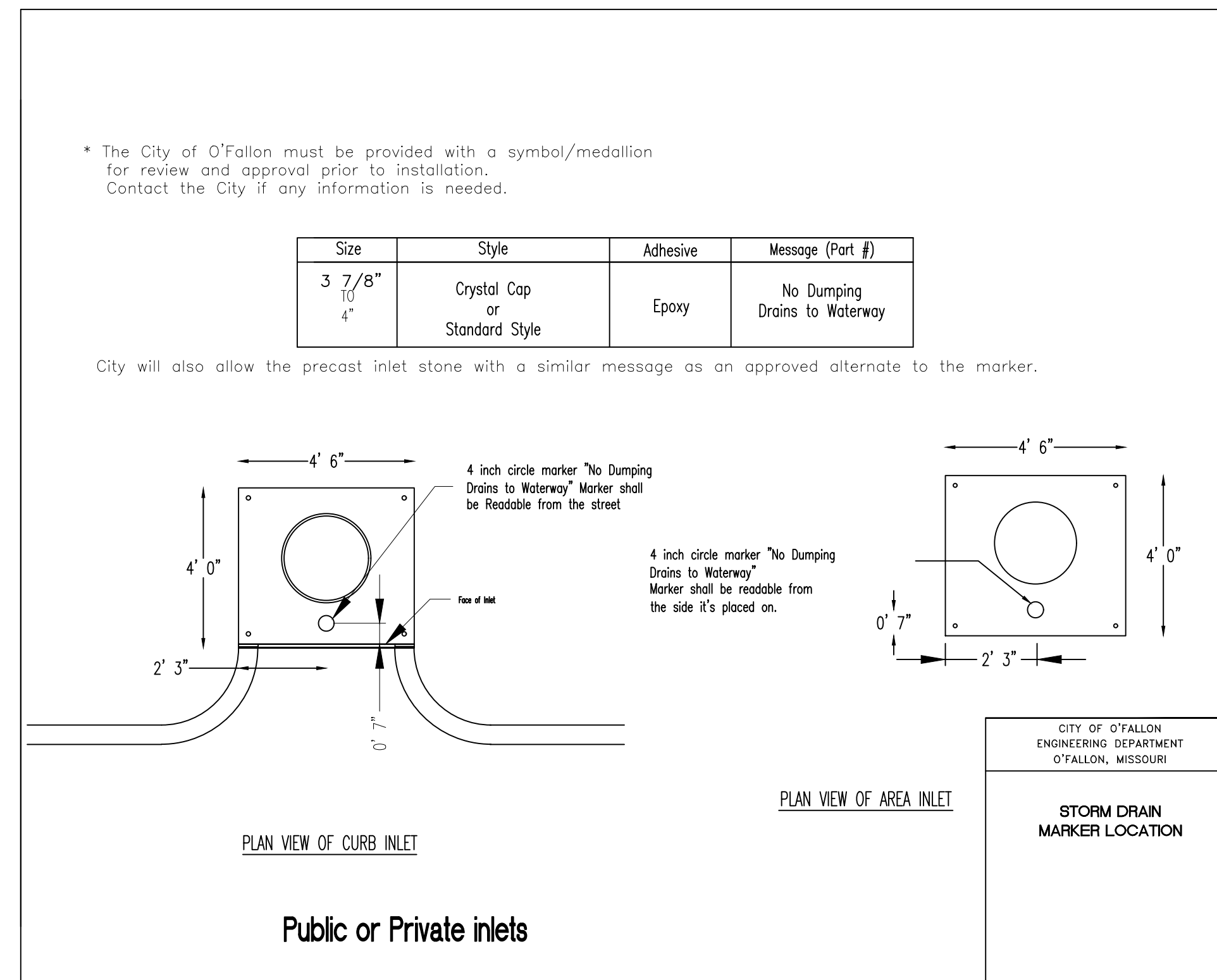


- NOTES:
1. FORM ALL INVERTS FOR SMOOTH FLOW THRU STRUCTURE.
 2. INVERT SHALL BE FORMED UP TO 1/2 THE PIPE DIAMETER.
 3. INVERT SHALL BE CLASS E CONCRETE.

DRAINAGE STRUCTURE INVERT

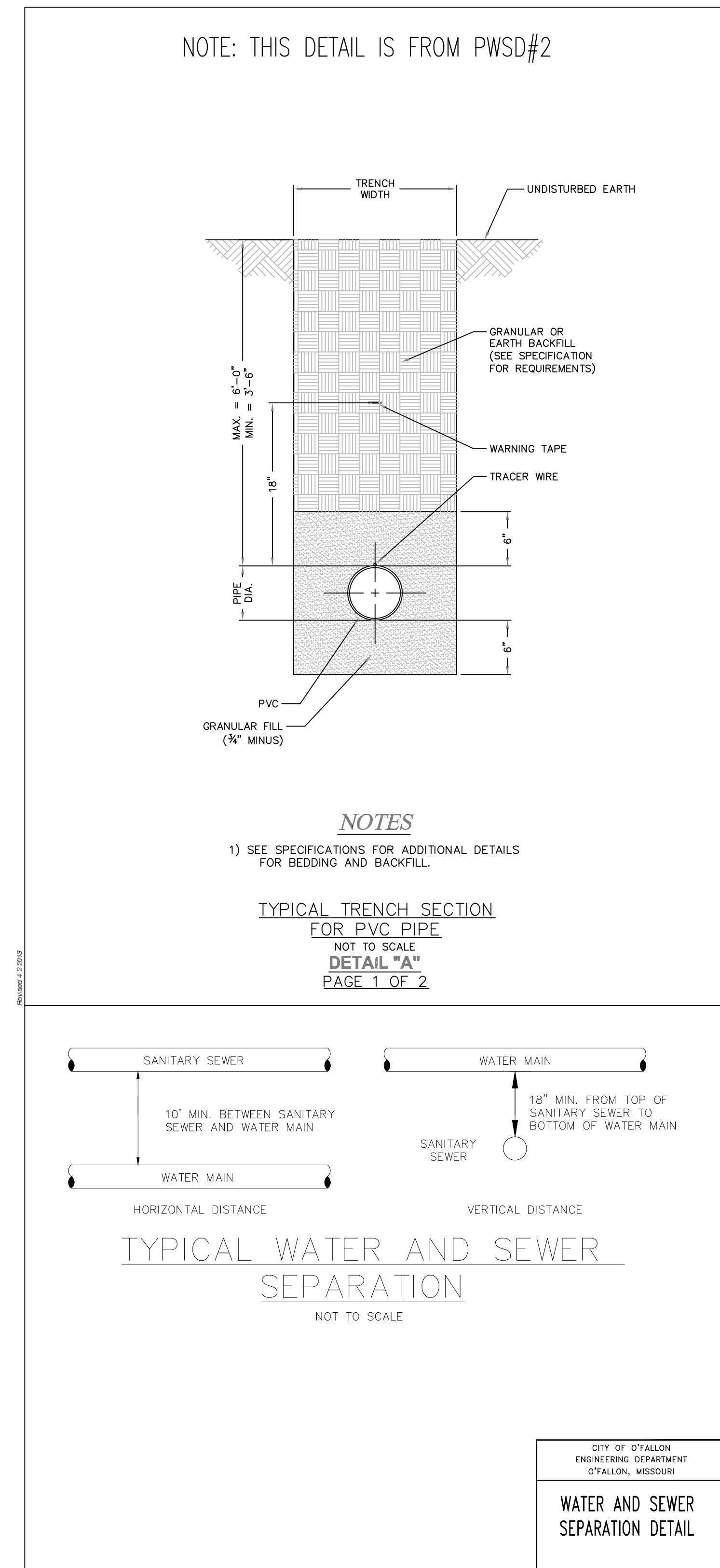


HDPE PIPE EMBEDMENT DETAIL



- NOTES:
1. CONCRETE SHALL BE 4000 PSI.
 2. REINFORCING STEEL SHALL BE GRADE 60
 3. STRUCTURES WHERE H>8" SHALL BE REINFORCED CONCRETE (#4 BARS AT 12" CTRS, BOTH WAYS AND #4 BARS DIAGONAL AT PIPE OPENINGS)

GRATED CURB INLET DETAIL



Ductile Iron Pipe installation shall follow the Ductile Iron Research Association (DIPRA) guide line.
The Installation of PVC Pipe shall follow the Uni-Bell PVC Pipe Association Handbook of PVC Design and Construction.

PROJECT TITLE:
LANDMARK COOL SPRINGS LLC
1024 COOL SPRINGS RD
O'FALLON, MO 63366

Engineering Company's Information
PREPARED BY:
CROCKETT ENGINEERING CONSULTANTS
1000 W. Kings Blvd., Ste. 100
O'Fallon, MO 63366
(636) 447-0282
www.crockettingeering.com
Crockett Engineering Consultants, LLC
Missouri Certificate of Authority
1430323151

ENGINEER SIGNATURE BLOCK



JESSE R. STEPHENS
MO LICENSE - 201000868
2-12-2021

Developer / Owner Information
LANDMARK COOL SPRINGS LLC
114 STONE RIDGE MEADOWS
O'FALLON, MO 63366

City of O'Fallon Cover Sheet

P+Z No. - 20-007735
Approval Date: 10-2-2020

Permit No.

Page No.

CE 6 - STORM SEWER AND WATER DETAILS