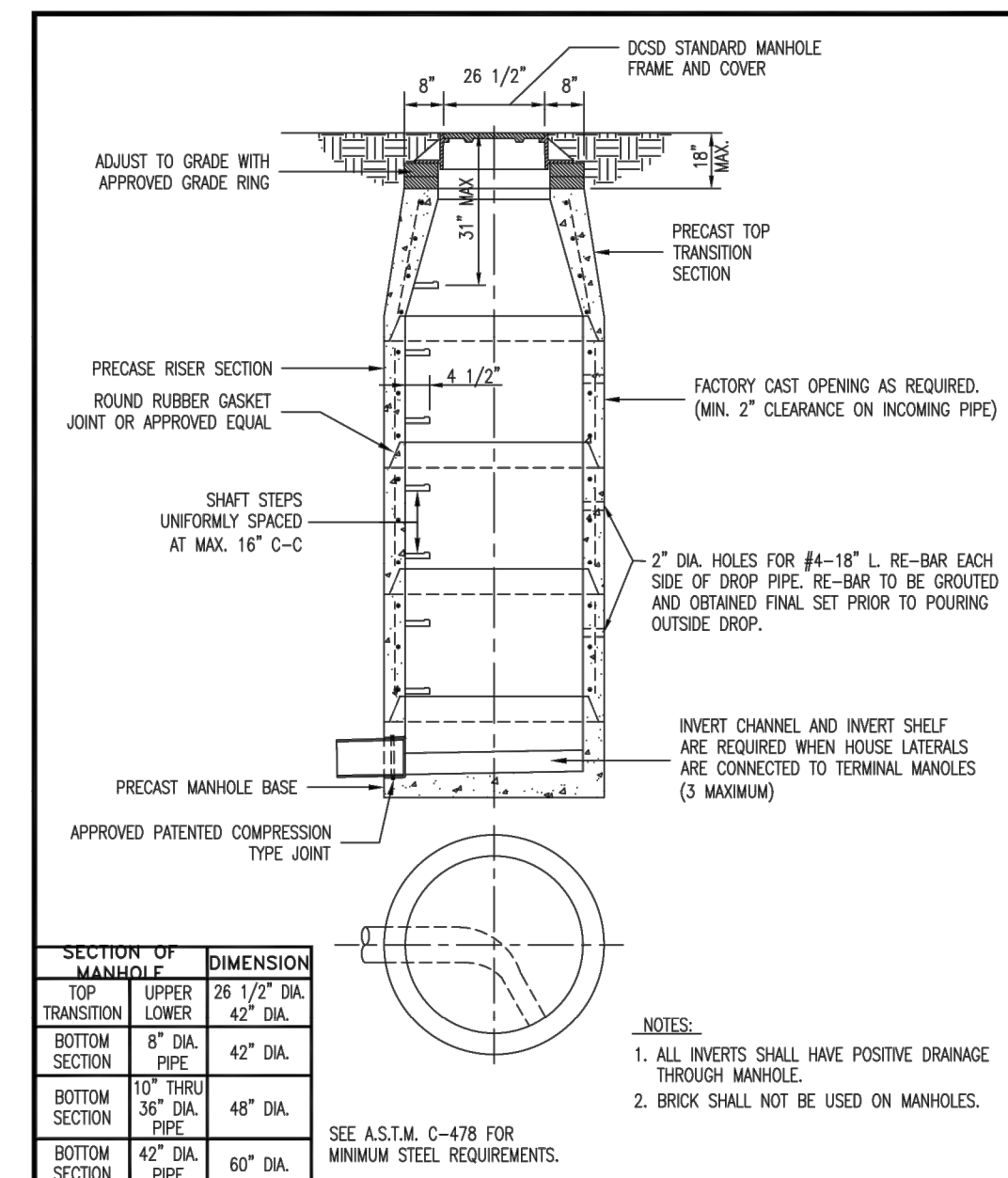
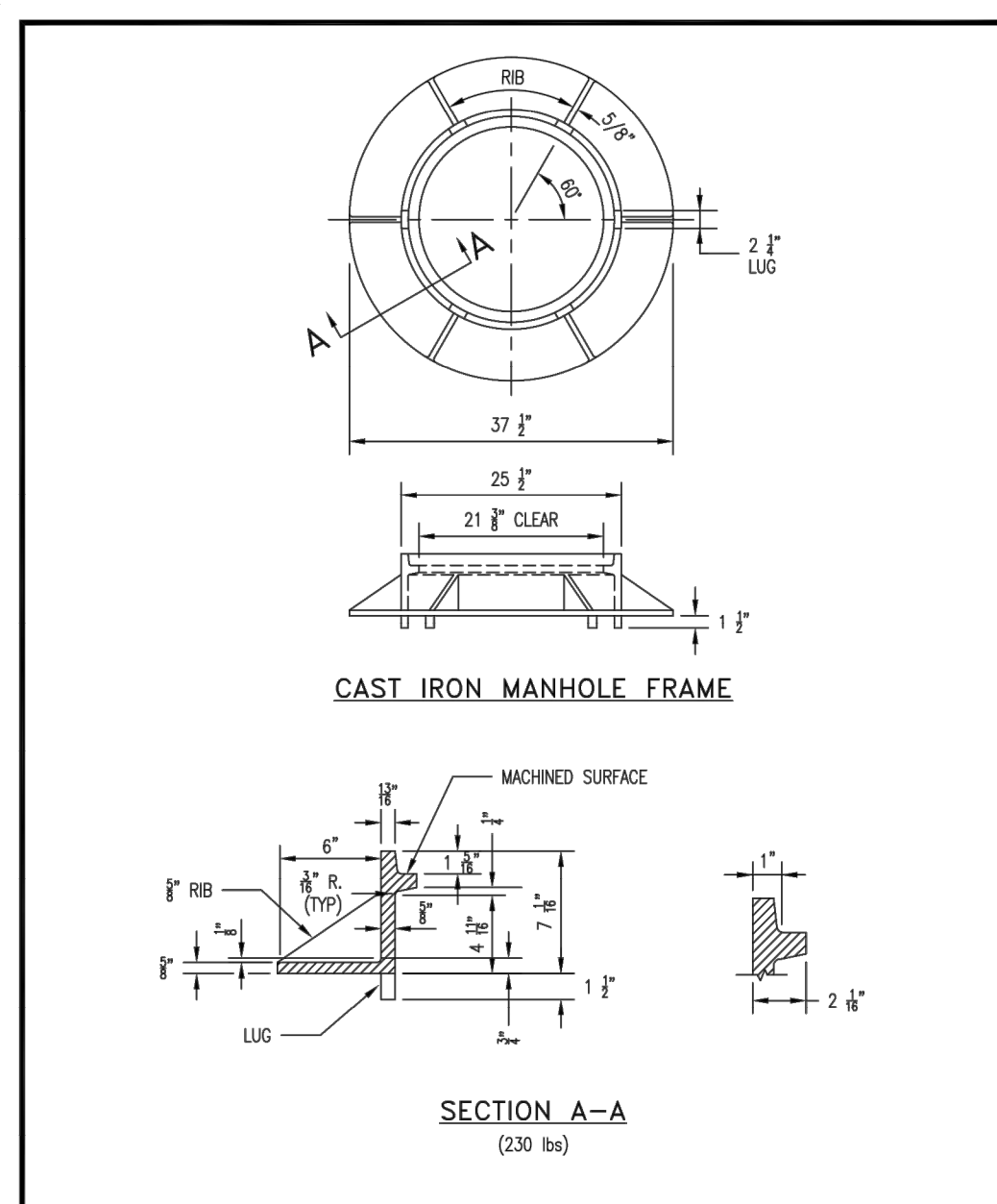


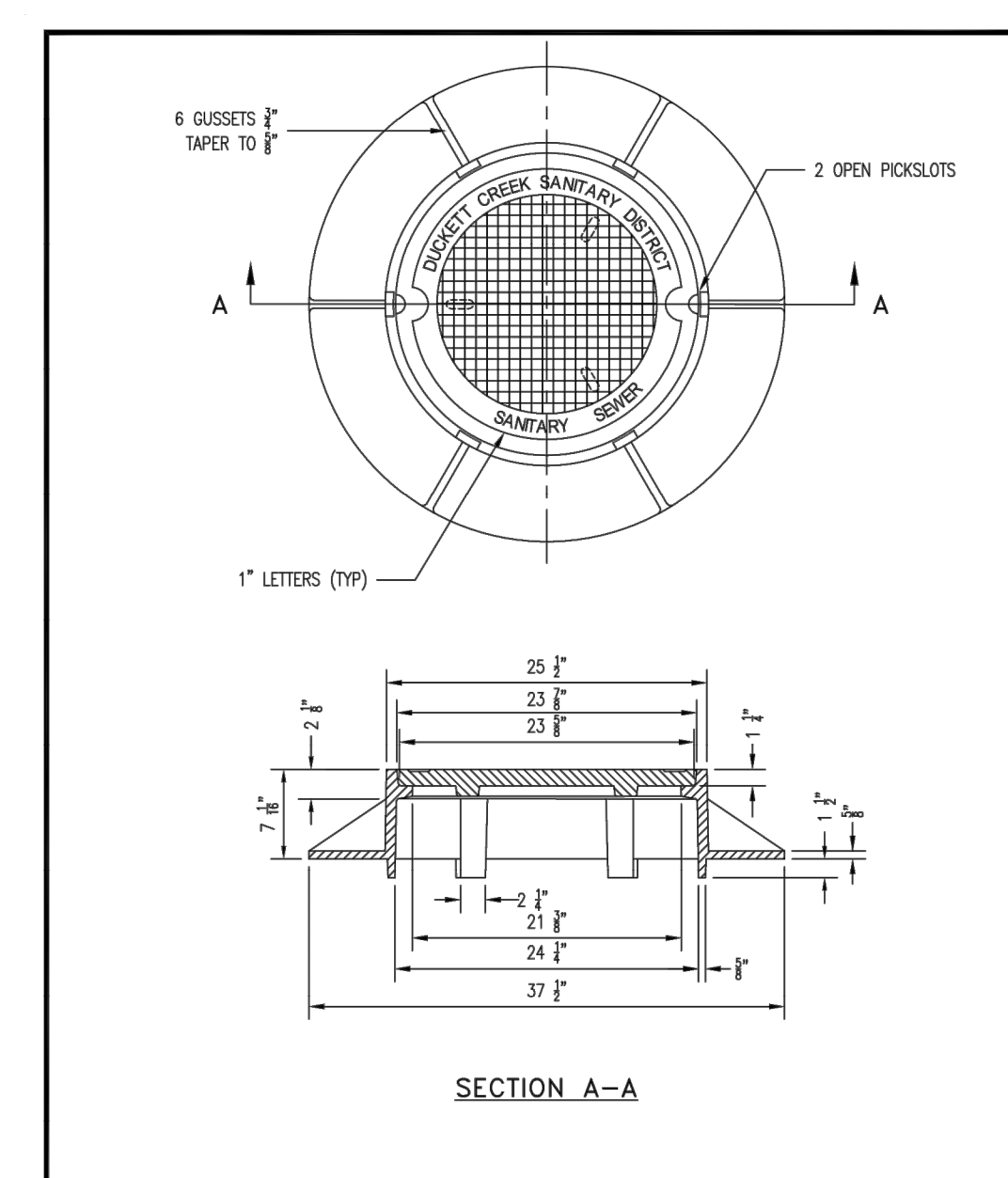
Duckett Creek Sanitary District				
PIPE BEDDING CLASS 'C' (FOR ALL EXCEPT REINFORCED CONCRETE PIPE)	DESIGNED BY: BSM	APP. BY: KA	DATE: DEC. 2015	REVISION: 3



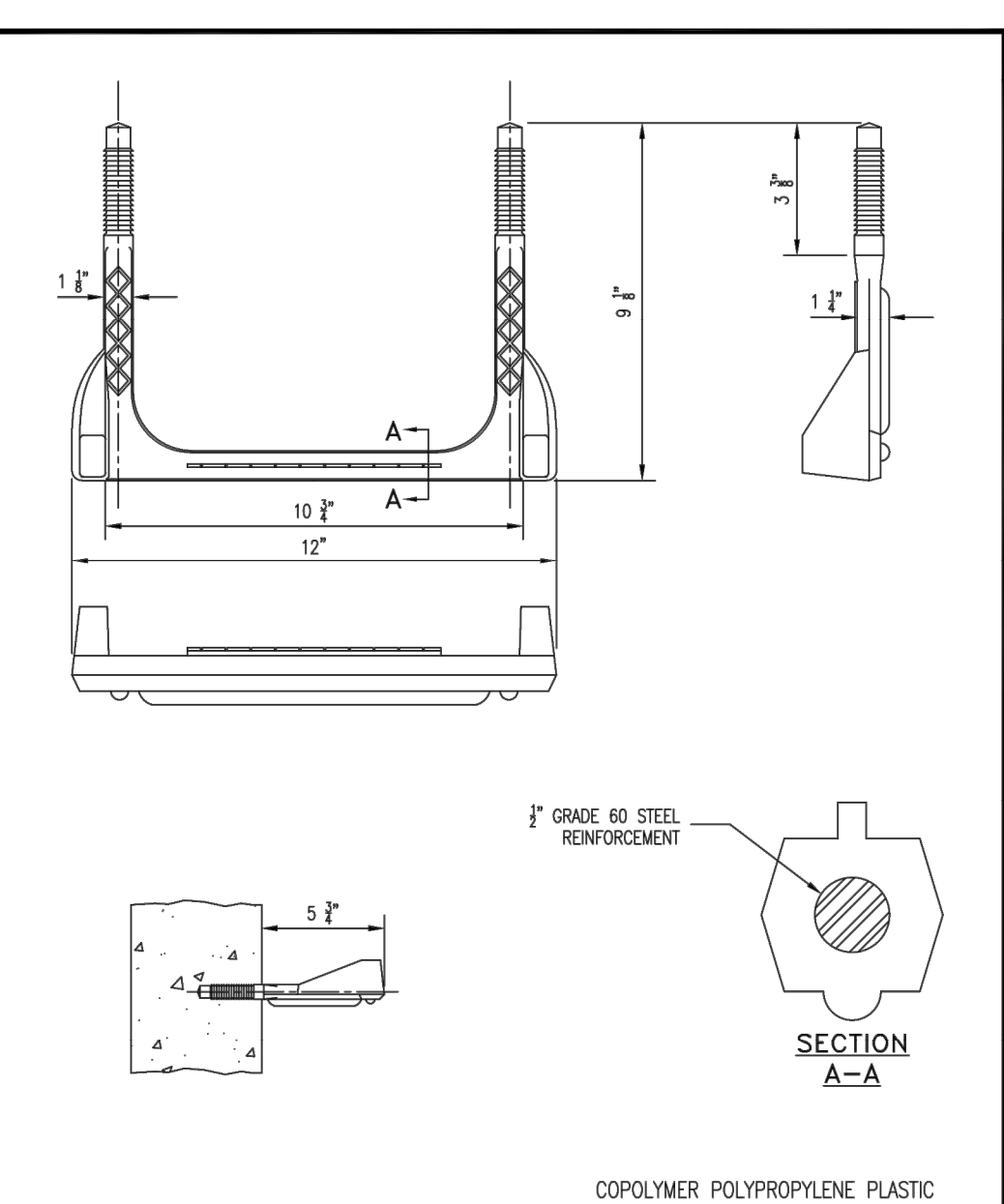
Duckett Creek Sanitary District				
TERMINAL MANHOLE FOR SEWERS 8" THROUGH 18"	DESIGNED BY: BSM	APP. BY: KLA	DATE: DEC. 2015	REVISION: 8



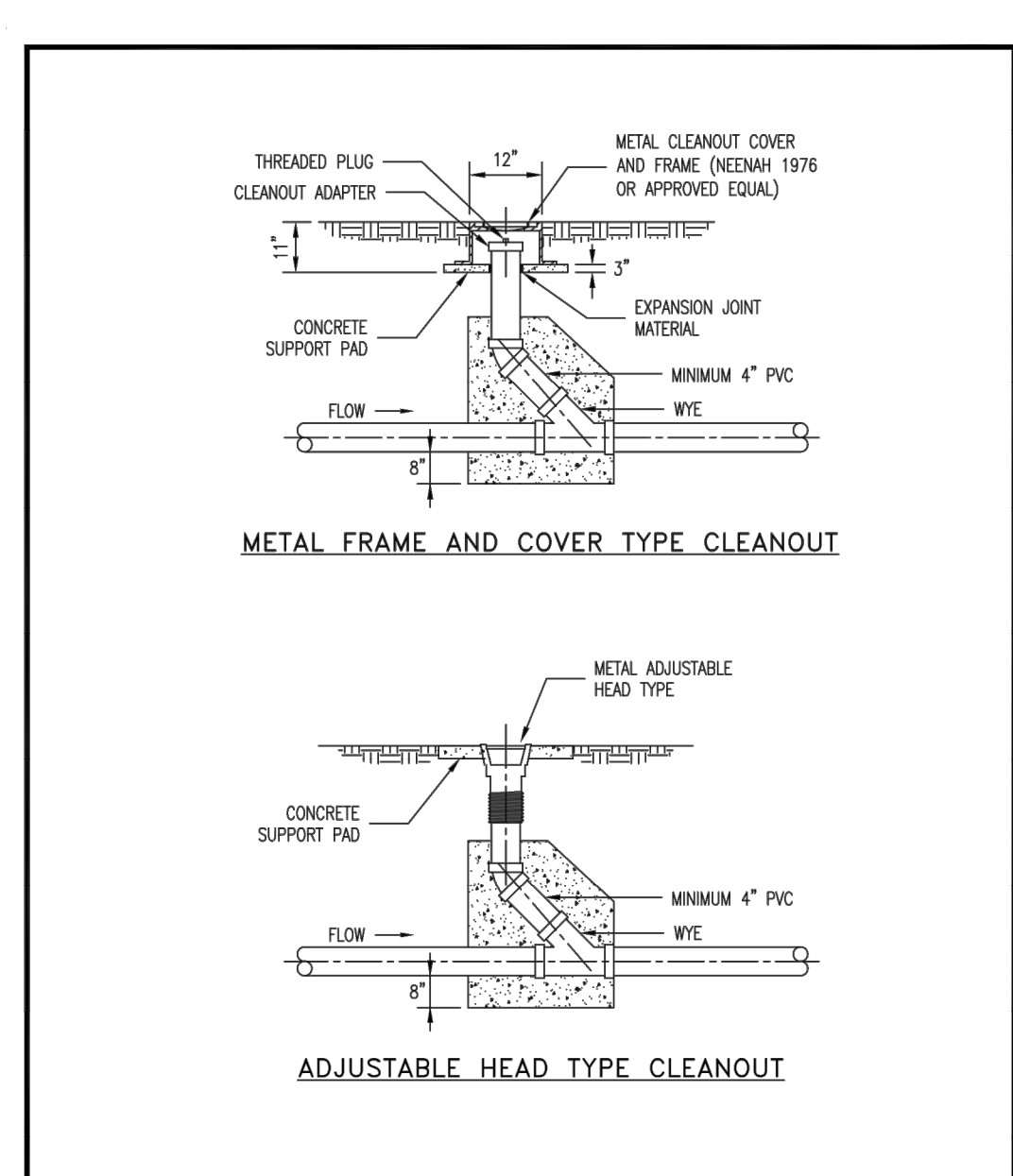
Duckett Creek Sanitary District				
CAST IRON MANHOLE FRAME	DESIGNED BY: BSM	APP. BY: KLA	DATE: DEC. 2015	REVISION: 11



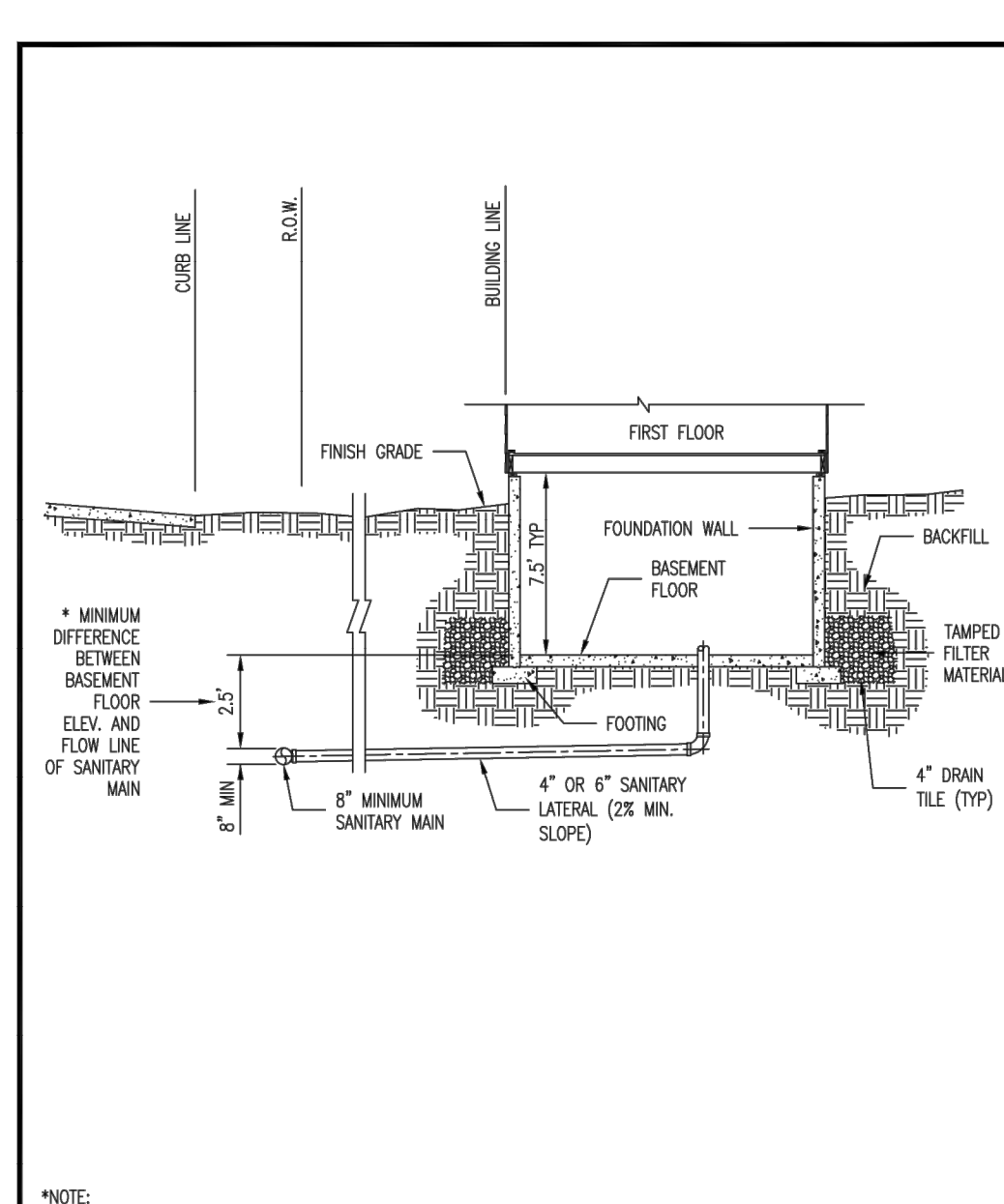
Duckett Creek Sanitary District				
MANHOLE FRAME AND COVER	DESIGNED BY: BSM	APP. BY: KLA	DATE: DEC. 2015	REVISION: 12



Duckett Creek Sanitary District				
MANHOLE STEP FOR PRECAST MANHOLE	DESIGNED BY: BSM	APP. BY: KA	DATE: DEC. 2015	REVISION: 18



Duckett Creek Sanitary District				
TYPICAL SEWER LATERAL CLEANOUT DETAIL	DESIGNED BY: BSM	APP. BY: KLA	DATE: DEC. 2015	REVISION: 25



Duckett Creek Sanitary District				
TYPICAL SANITARY SEWER LATERAL PROFILE	DESIGNED BY: BSM	APP. BY: KLA	DATE: DEC. 2015	REVISION: 26

LINK-SEAL® MODULAR SEALS INSTALLATION INSTRUCTIONS

LINK-SEAL® Modular Seal - O/D

1. Insert the plug, cable or conduit in well opening. Clean the well opening and the well opening on both ends. The well opening should be a minimum of 4 inches in diameter. The well opening should be a minimum of 4 inches in diameter. The well opening should be a minimum of 4 inches in diameter.
2. Remove any pressure plate with nut from well opening. Remove the pressure plate with nut from the well opening.
3. Check the fit of the seal in the well opening. The seal should fit snugly in the well opening. The seal should fit snugly in the well opening.
4. Place the seal in the well opening. The seal should be placed in the well opening.

LINK-SEAL® Modular Seal - I/D

1. Insert the seal in the well opening. The seal should be inserted in the well opening.
2. Tighten the pressure plate with nut. The pressure plate with nut should be tightened.
3. Check the fit of the seal in the well opening. The seal should fit snugly in the well opening.
4. Tighten the pressure plate with nut. The pressure plate with nut should be tightened.
5. Check the fit of the seal in the well opening. The seal should fit snugly in the well opening.
6. Tighten the pressure plate with nut. The pressure plate with nut should be tightened.

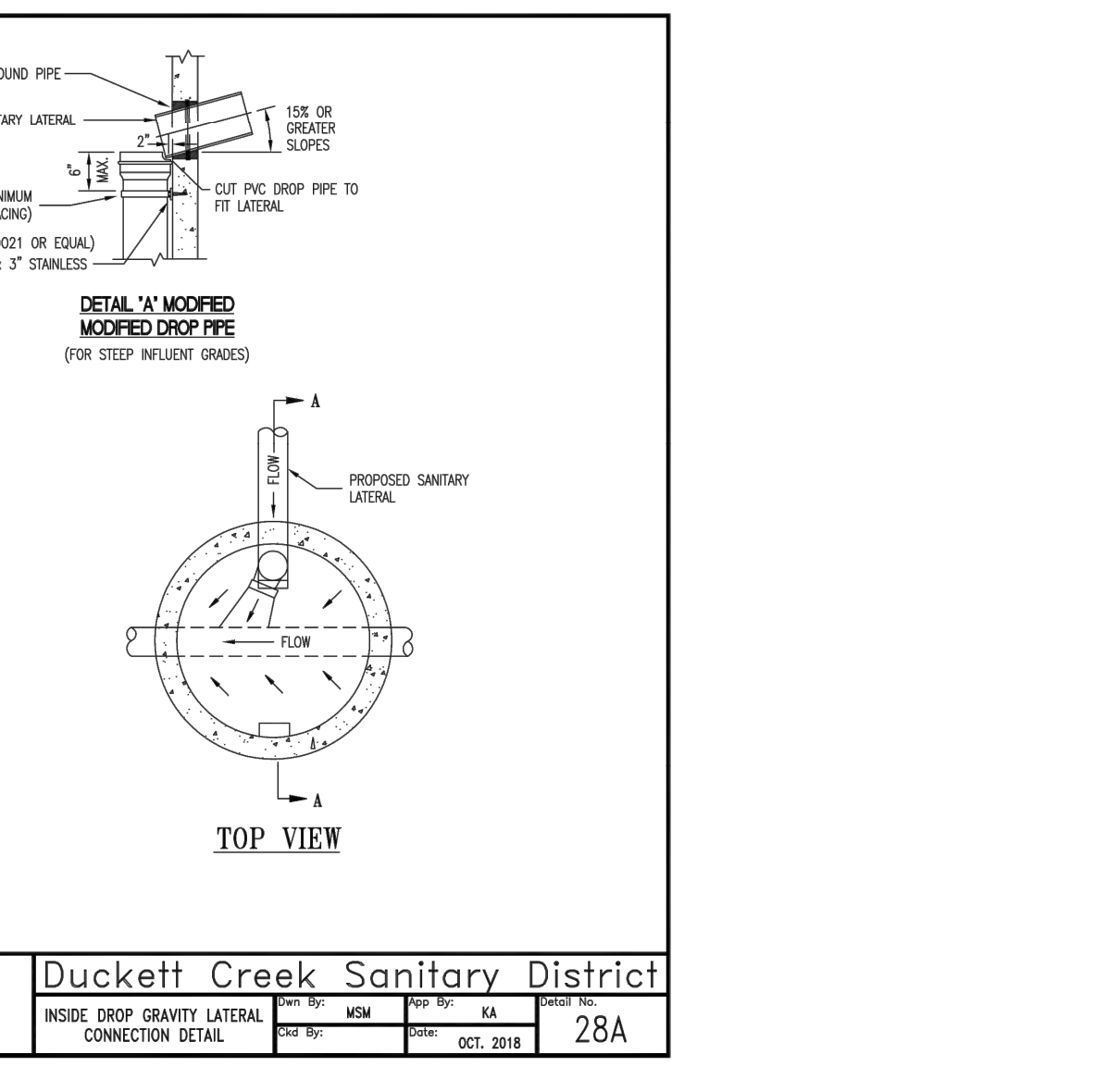
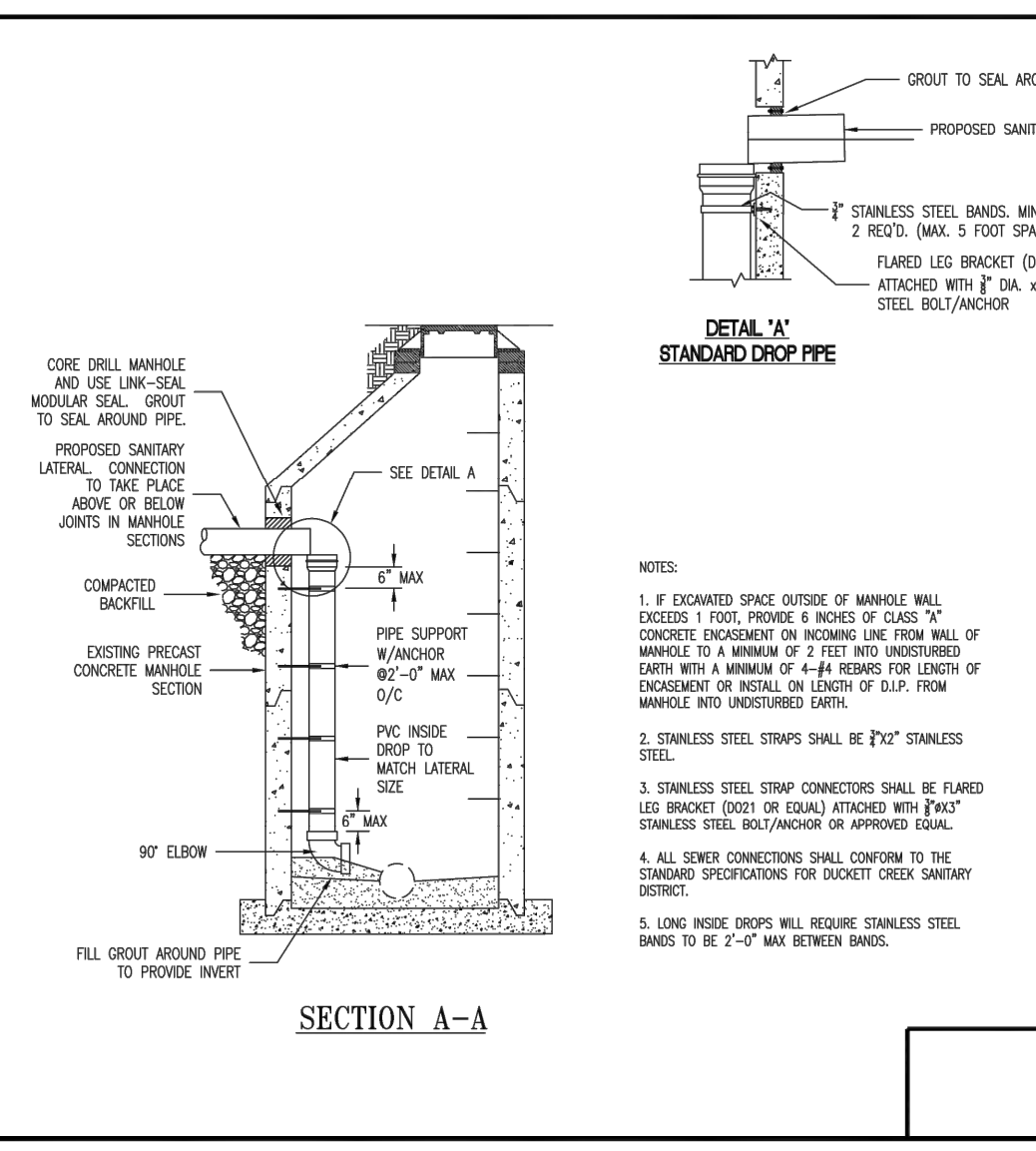
Hand Tools: The seal should be installed using the following tools: 1/2\"/>

LINK-SEAL® MODULAR SEALS WITH CAST OR CORE DRILLED WALL OPENING

MANUFACTURED BY PIPELINE SEAL & INSULATOR, INC. HOUSTON, TEXAS, U.S.A. TEL: 800-423-2410 E-MAIL: INFO@PSPISI.COM

LS Model	Seal Element	Body/Male	Pressure Plate
Q	EPDM (Black)	Zinc Die Cast / Zinc Coated Carbon Steel Bolt	Reinforced Nylon Polymer
L	EPDM (Black)	Zinc Die Cast / Zinc Coated Carbon Steel Bolt	Reinforced Nylon Polymer
S	Nitrile	Zinc Die Cast / Zinc Coated Carbon Steel Bolt	Reinforced Nylon Polymer
G	Nitrile	Zinc Die Cast / Zinc Coated Carbon Steel Bolt	Steel Bolt / Conformer
DS	Nitrile	Zinc Die Cast / Zinc Coated Carbon Steel Bolt	Reinforced Nylon Polymer

For more Material Property Information, see Website at www.linkseal.com



Duckett Creek Sanitary District				
INSIDE DROP GRAVITY LATERAL CONNECTION DETAIL	DESIGNED BY: BSM	APP. BY: KA	DATE: OCT. 2018	REVISION: 28A



10820 Sunset Office Drive
Suite 200
Saint Louis, Missouri 63127
314-729-1400
Fax: 314-729-1404
www.cedc.net

CEDC
CIVIL ENGINEERING
DESIGN CONSULTANTS

Site Improvement Plan for a
STORAGE FACILITY
1160 Technology Drive
O'Fallon, Missouri 63368

Proj. # 1919	
No. Description	Date
to City	7/29/19
to Fire Dist.	10/30/19
Agency Submittal	11/06/19
To City	11/12/19
To Utilities	11/19/19

SEWER DETAILS

C08