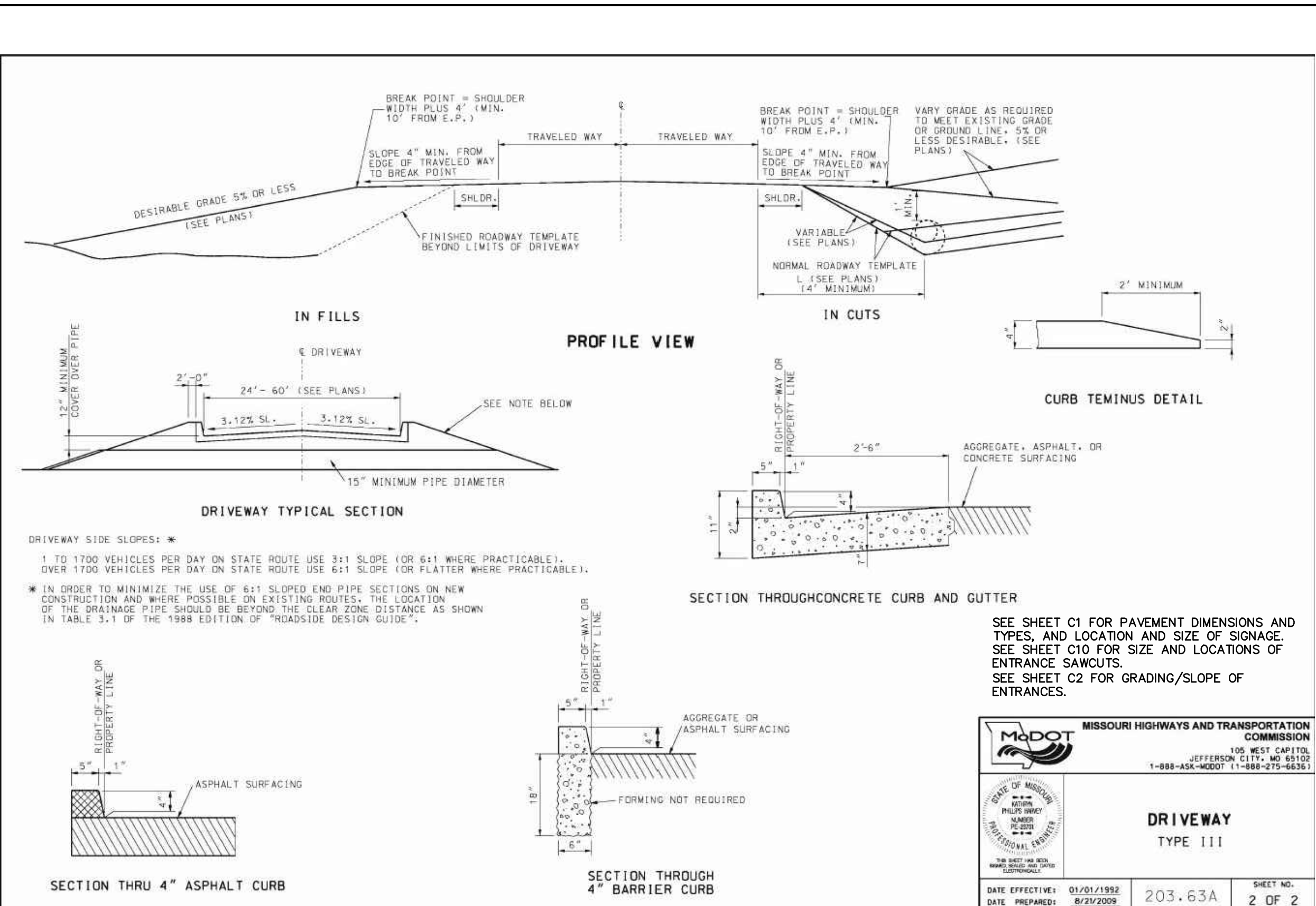


MISSOURI HIGHWAYS AND TRANSPORTATION COMMISSION  
 100 WEST CAPITOL  
 JEFFERSON CITY, MO 65102  
 1-888-645-MODOT 1-888-275-6831

**DRIVEWAY TYPE III**

DATE EFFECTIVE: 01/01/1992  
 DATE PREPARED: 8/23/2009

203.63A SHEET NO. 1 OF 2

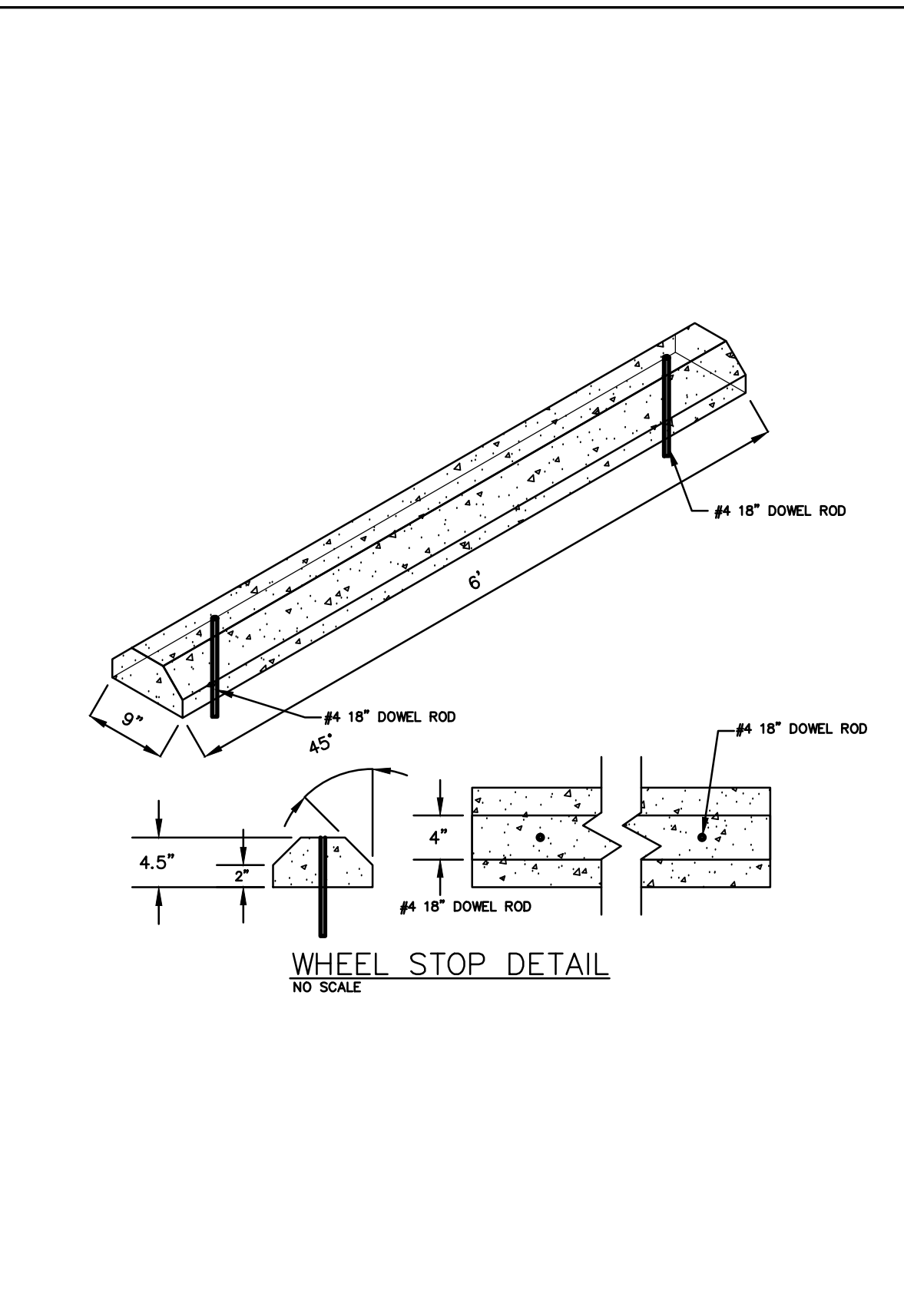


MISSOURI HIGHWAYS AND TRANSPORTATION COMMISSION  
 100 WEST CAPITOL  
 JEFFERSON CITY, MO 65102  
 1-888-645-MODOT 1-888-275-6831

**DRIVEWAY TYPE III**

DATE EFFECTIVE: 01/01/1992  
 DATE PREPARED: 8/23/2009

203.63A SHEET NO. 2 OF 2



North Office  
 8 East Main Street  
 Wentzville, Missouri 63385

636-332-4574 (tel.)  
 636-327-0760 (fax)  
 www.cochransurveying.com

**COCHRAN**

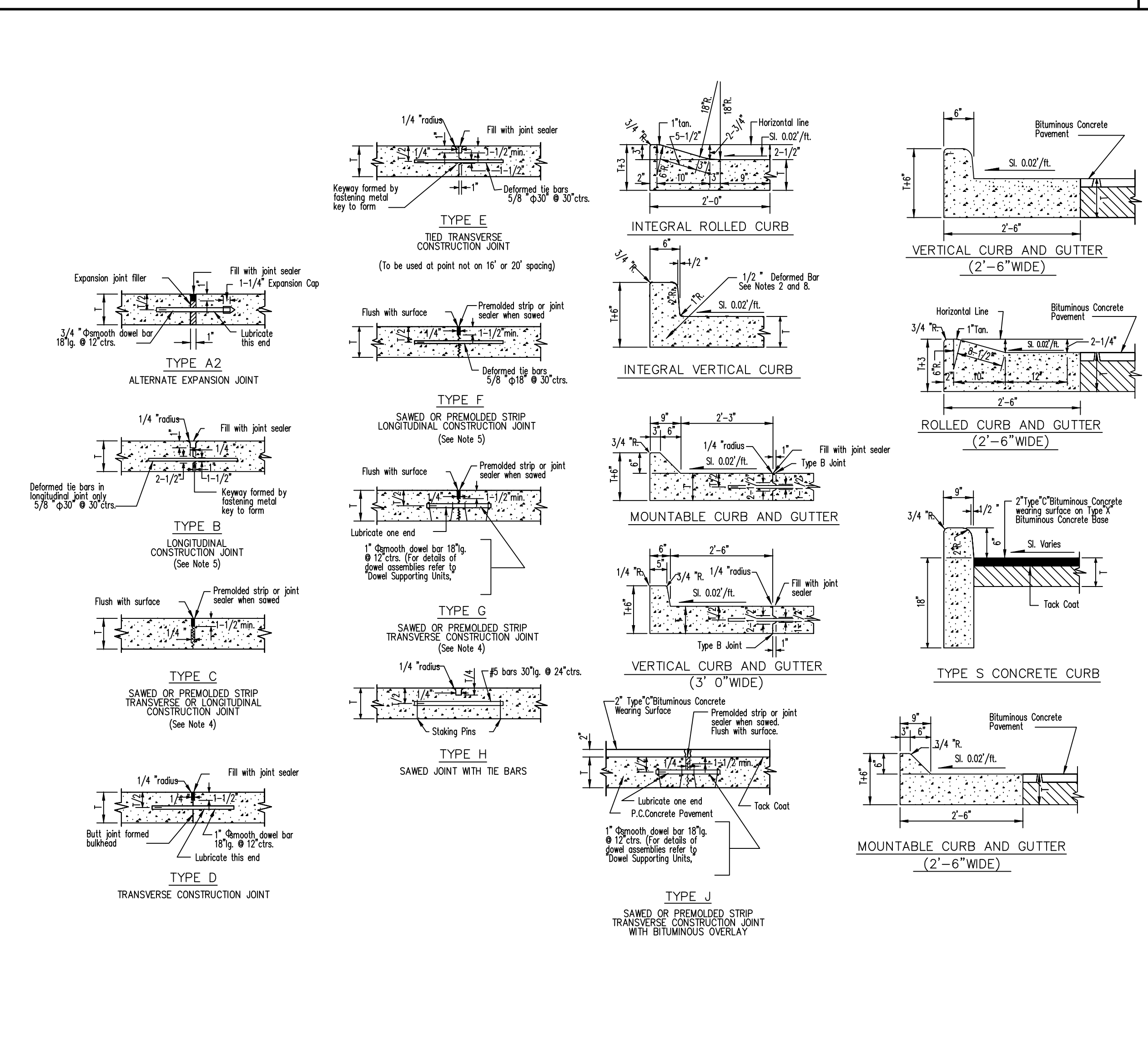
• Civil Engineering  
 • Land Surveying  
 • Architecture  
 • Site Development  
 • Consulting  
 • Master Planning

STATE OF MISSOURI

ERIC SCOTT KIRCHNER  
 E-2001004618

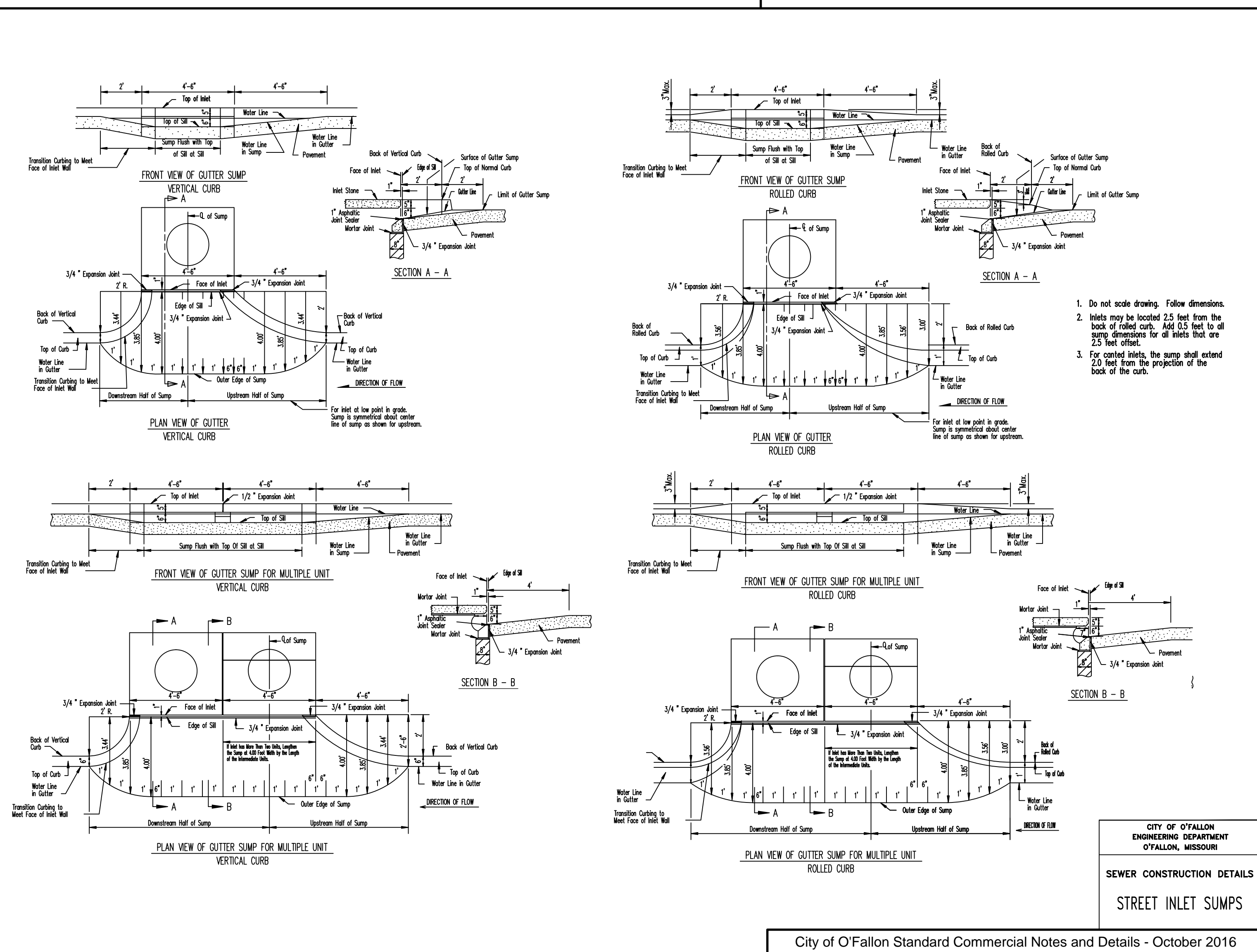
DATE

Eric S. Kirchner No. E-2001004618  
 Registered Professional Engineer  
 State of Missouri  
 for Cochran Engineering & Surveying



**CITY OF O'FALLON ENGINEERING DEPARTMENT O'FALLON, MISSOURI**

**PAVEMENT CONSTRUCTION DETAILS JOINTS AND CURBS**



**Developer / Owner Information:**  
 C Bennett Premium Building Supplies  
 1285 W. Terra Lane  
 O'Fallon, MO 63366

**City of O'Fallon Standard Sheet**

P+Z No.  
 Approval Date: 9/1/16

City No.

Page No.  
 C11

**CITY OF O'FALLON ENGINEERING DEPARTMENT O'FALLON, MISSOURI**

SEWER CONSTRUCTION DETAILS  
 STREET INLET SUMPS