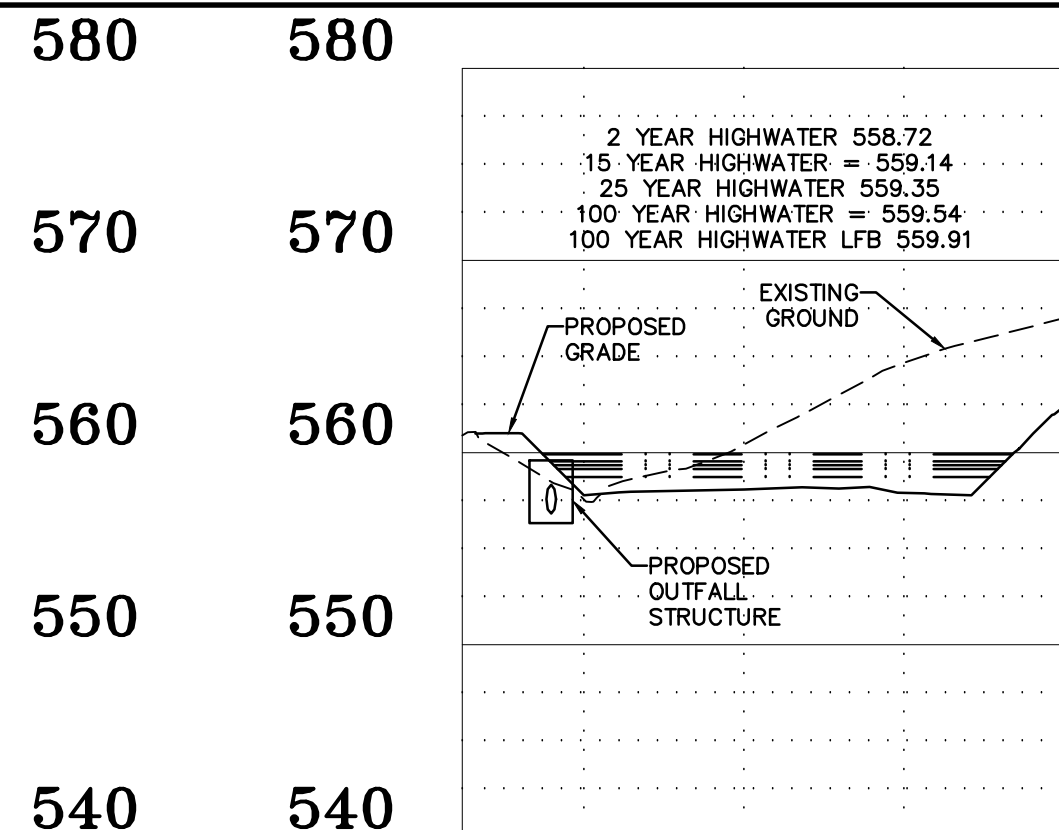
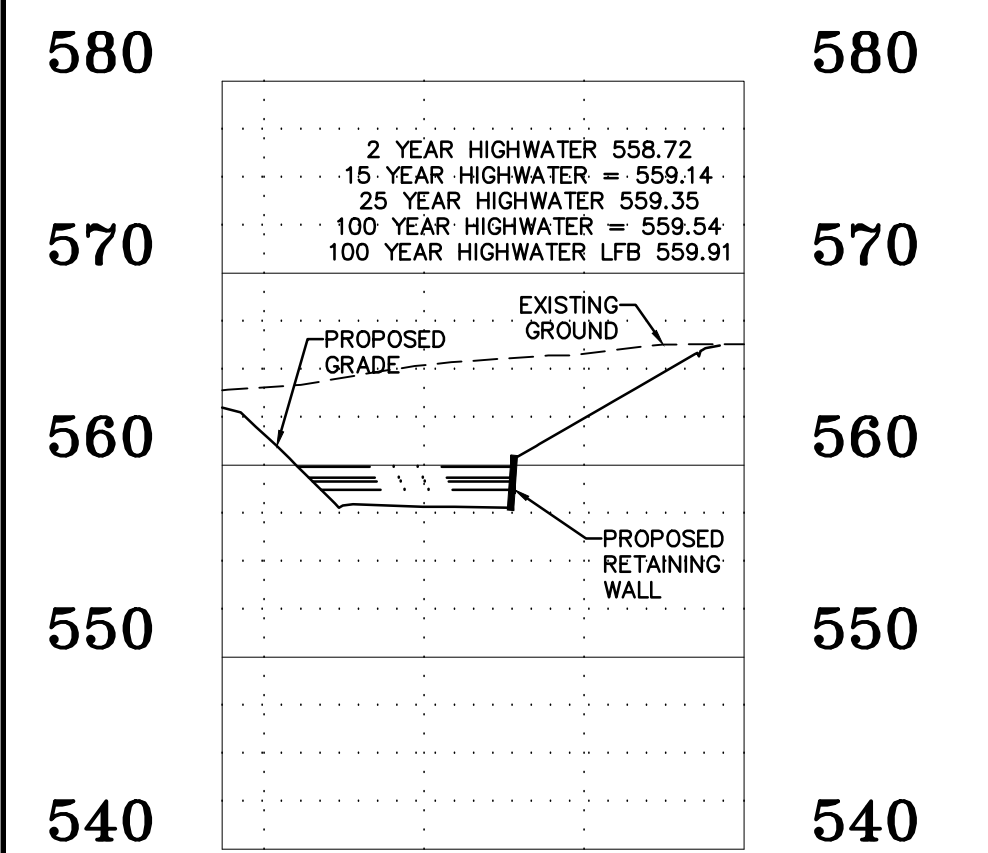


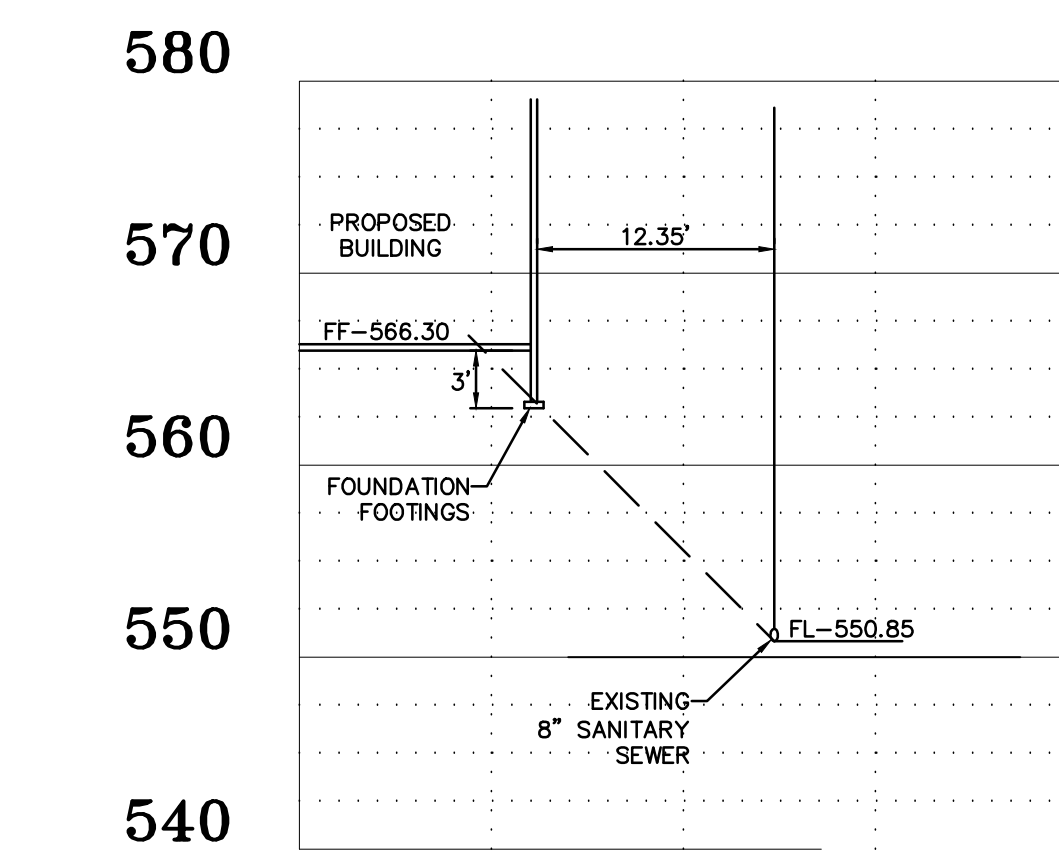
BASIN CROSS SECTION A-A
SCALES:
HORIZ. 1" = 30'
VERT. 1" = 10'



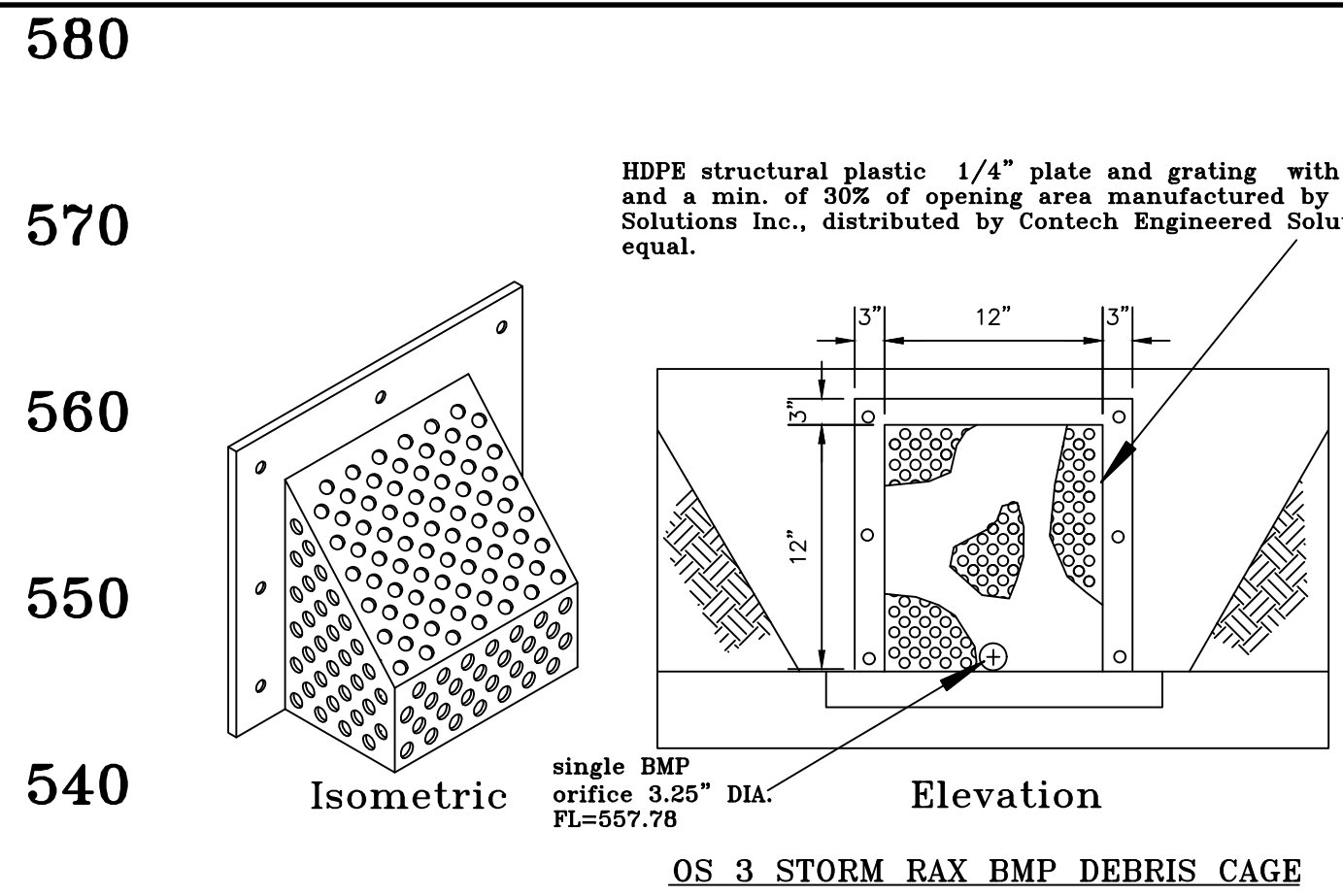
BASIN CROSS SECTION B-B
SCALES:
HORIZ. 1" = 30'
VERT. 1" = 10'



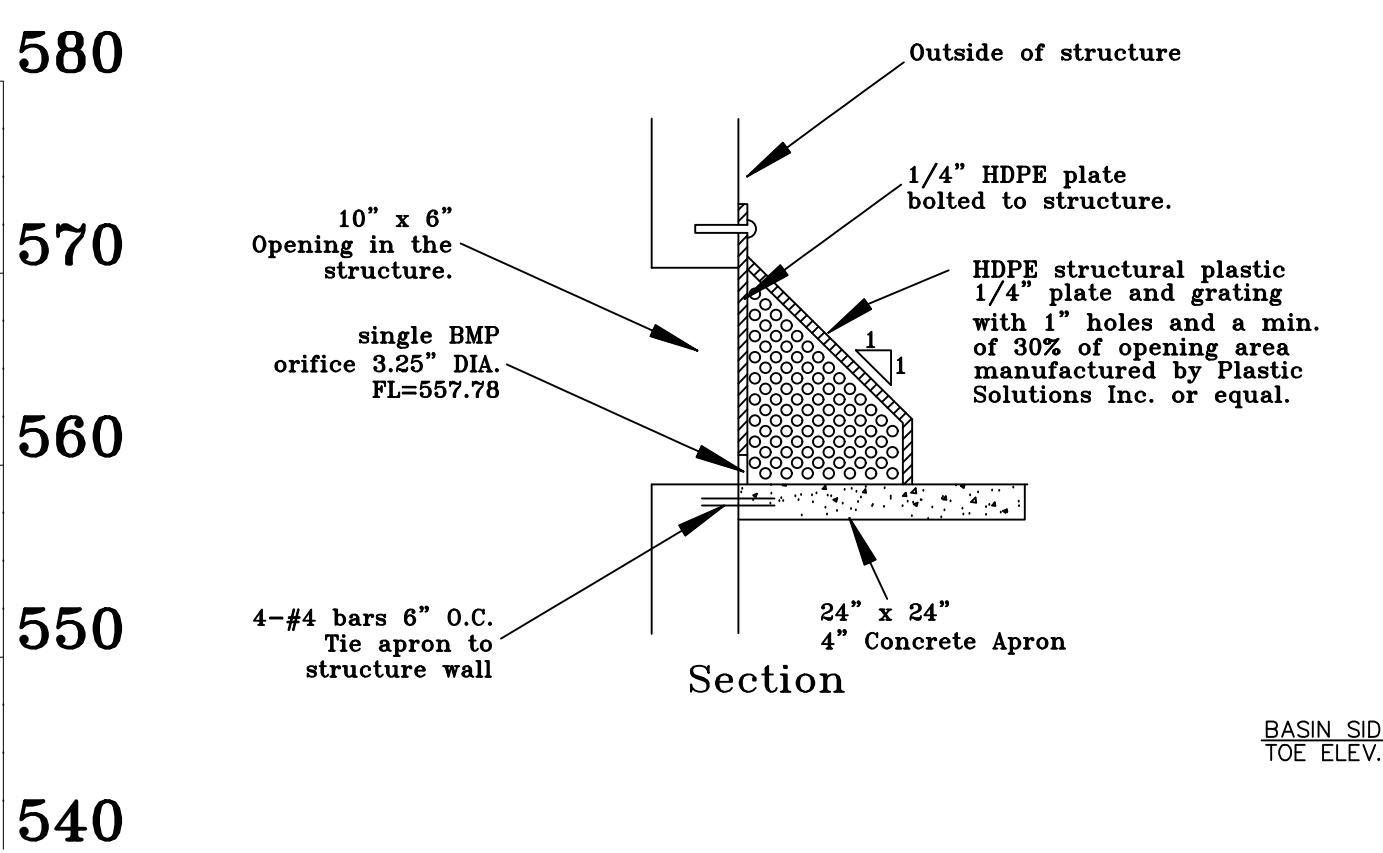
BASIN CROSS SECTION C-C
SCALES:
HORIZ. 1" = 30'
VERT. 1" = 10'



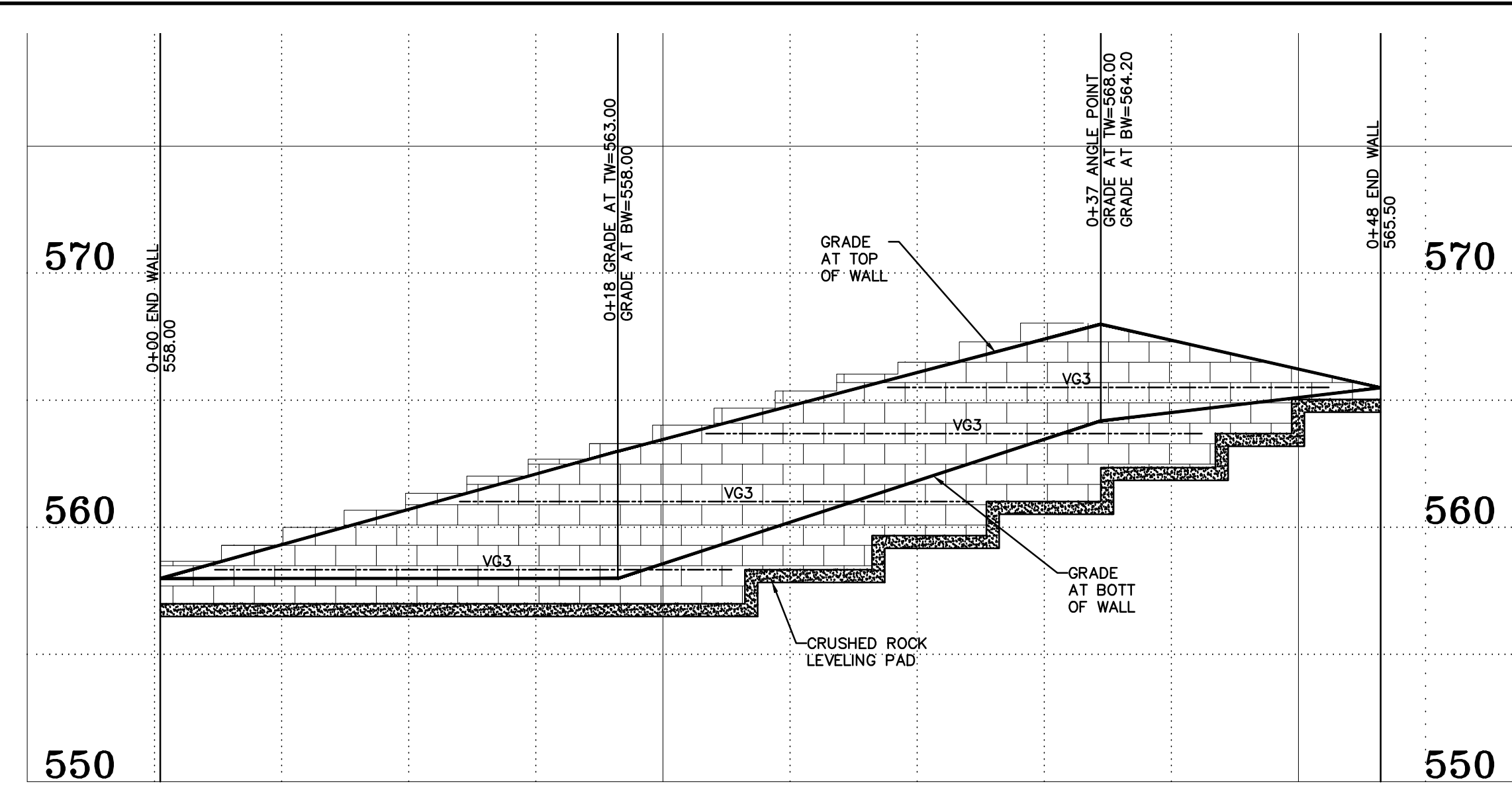
SANITARY SEWER CROSS SECTION D-D
SCALES:
HORIZ. 1" = 30'
VERT. 1" = 10'



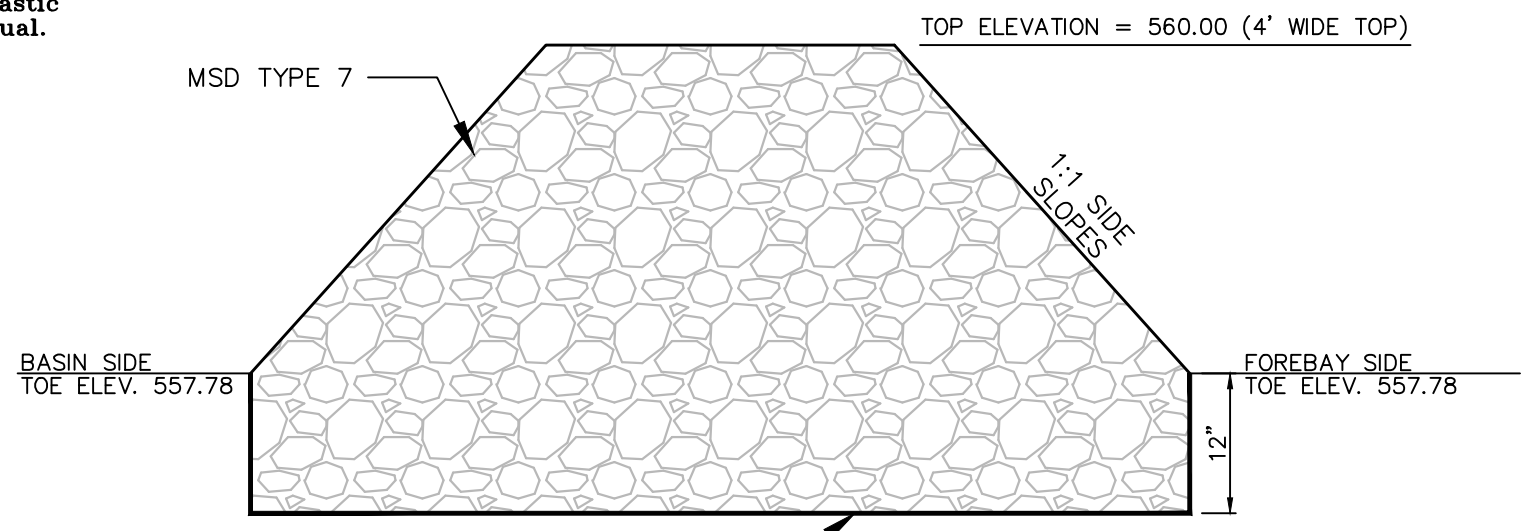
OS 3 STORM RAX BMP DEBRIS CAGE



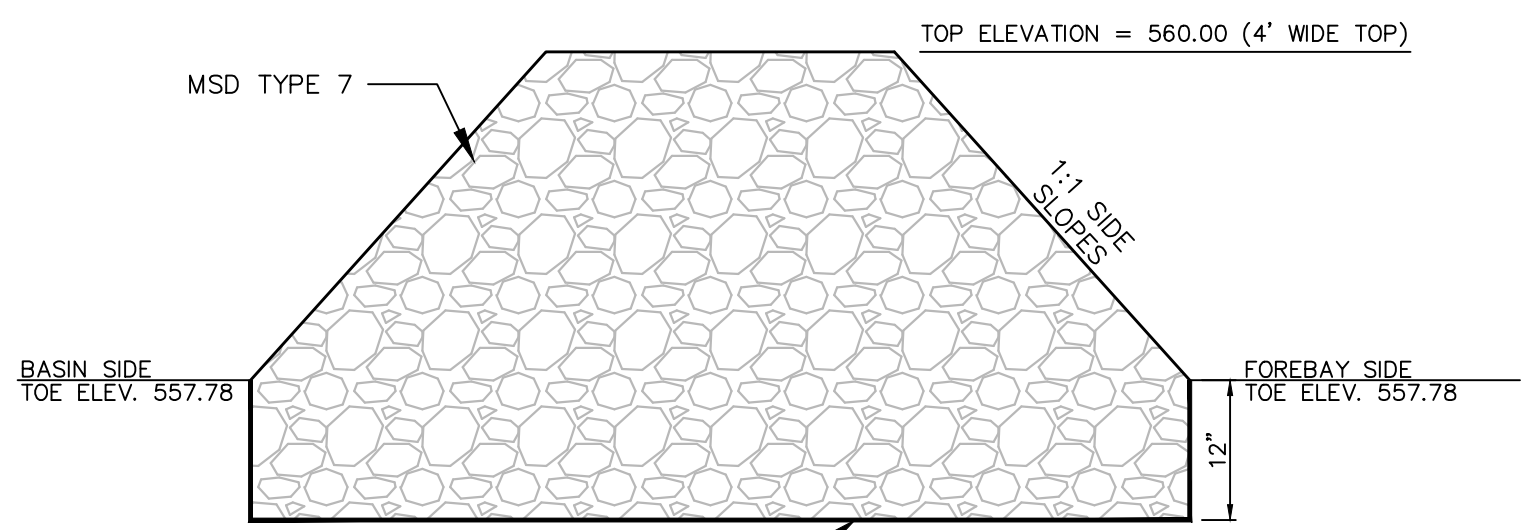
Section



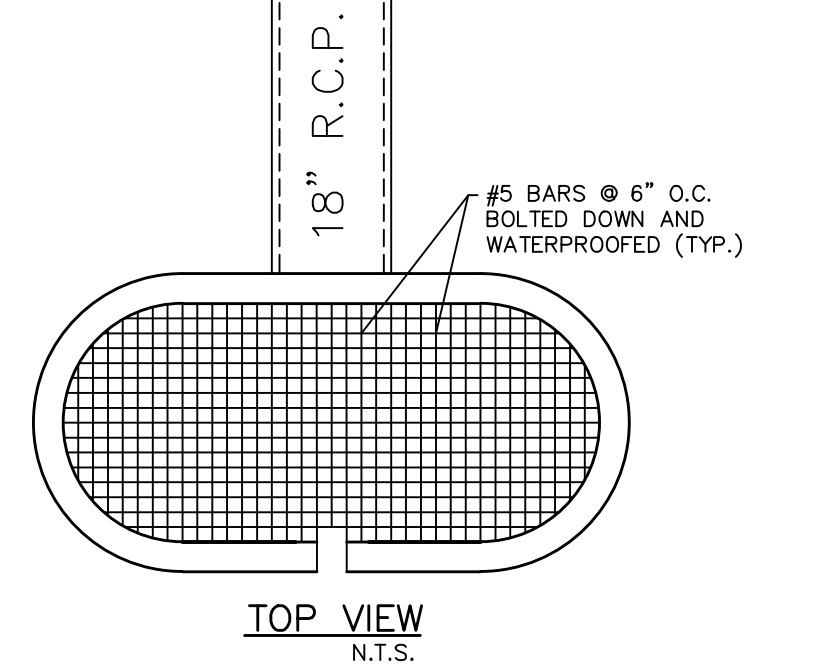
RETAINING WALL PROFILE
SCALES:
1" = 5'



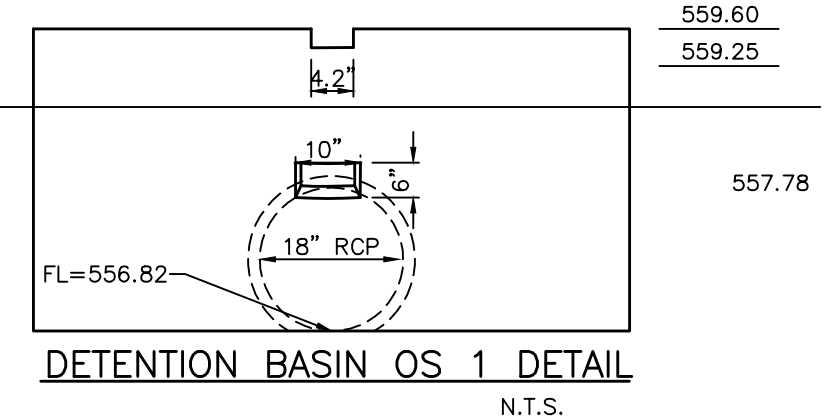
EAST FOREBAY
NOT TO SCALE



WEST FOREBAY
NOT TO SCALE



TOP VIEW
N.T.S.



DETENTION BASIN OS 1 DETAIL
N.T.S.

The overflow structure is to be a standard double untrapped precast concrete street inlet (without top). See M.S.D. detail 37. The bottom must be constructed to the correct height so that no brick will be used. A rectangular orifice 10" w x 6" h with a flowline of 557.78 will be used as the low flow slot. The high flow slot is a rectangular orifice that is 7" w x 4.2" with a flowline of 559.25. The top of the structure will be at an elevation of 559.60.

2 YEAR HIGHWATER 558.72
15 YEAR HIGHWATER = 559.14
25 YEAR HIGHWATER 559.35
100 YEAR HIGHWATER = 559.54
100 YEAR HIGHWATER LFB 559.91

ITEM	LATIN NAME	COMMON NAME	ZONE	TOTAL NUMBER	SPACING	HATCH
A	Carex Grayi	Bur Sedge	Low Land	112	18"	[Hatch]
B	Carex Vulpinoidea	Fox Sedge	Low Land	112	18"	[Hatch]
C	Scirpus Cyperinus	Great Green BullRushes	High Marsh	118	18"	[Hatch]
D	Equisetum Hyemale	Horsetail	High Marsh	37	30"	[Hatch]
E	Helenium Autumnale	Sneezeweed	High Marsh	57	24"	[Hatch]
F	Pontederia Cordata	Pickeral Weed	Low Marsh	103	18"	[Hatch]
G	Sagittaria Latifolia	Arrowleaf	Low Marsh	56	30"	[Hatch]
H	Saururus Cernuus	Lizard Tail	Low Marsh	30	30"	[Hatch]

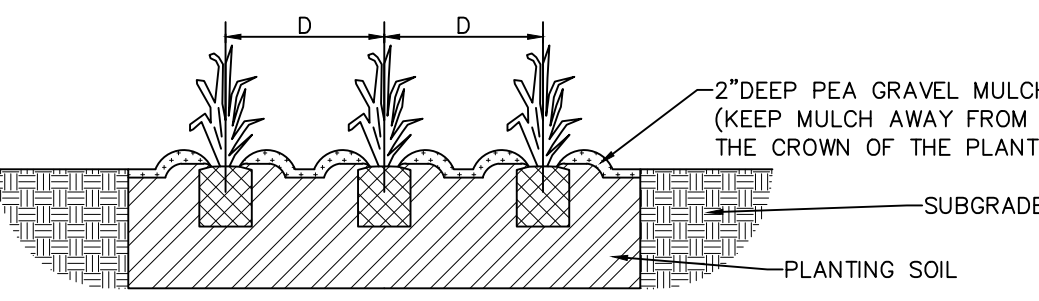
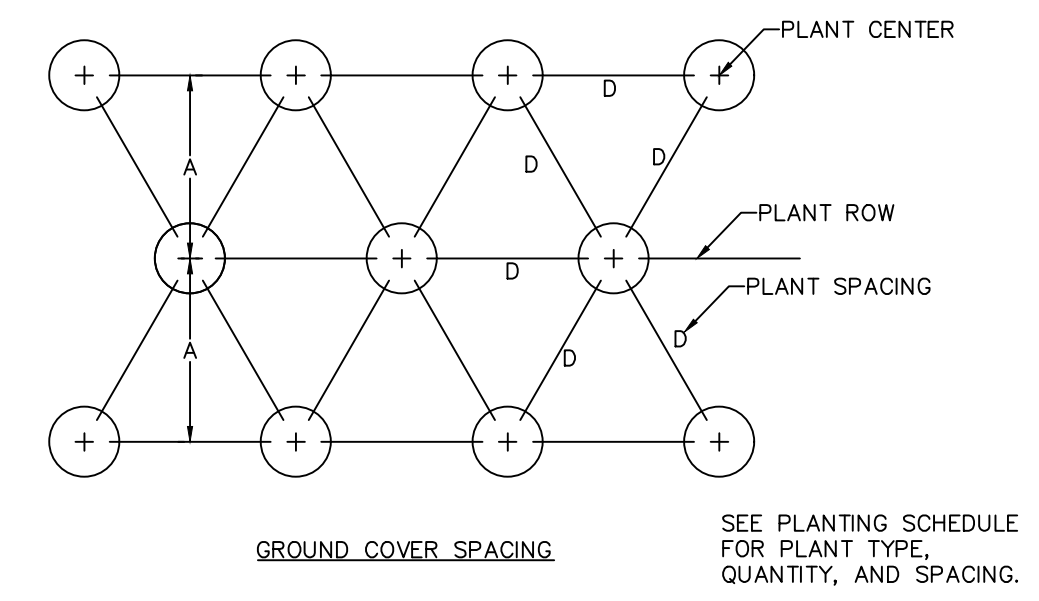
WETLAND PLANTING SCHEDULE #1

MAINTENANCE SCHEDULE:

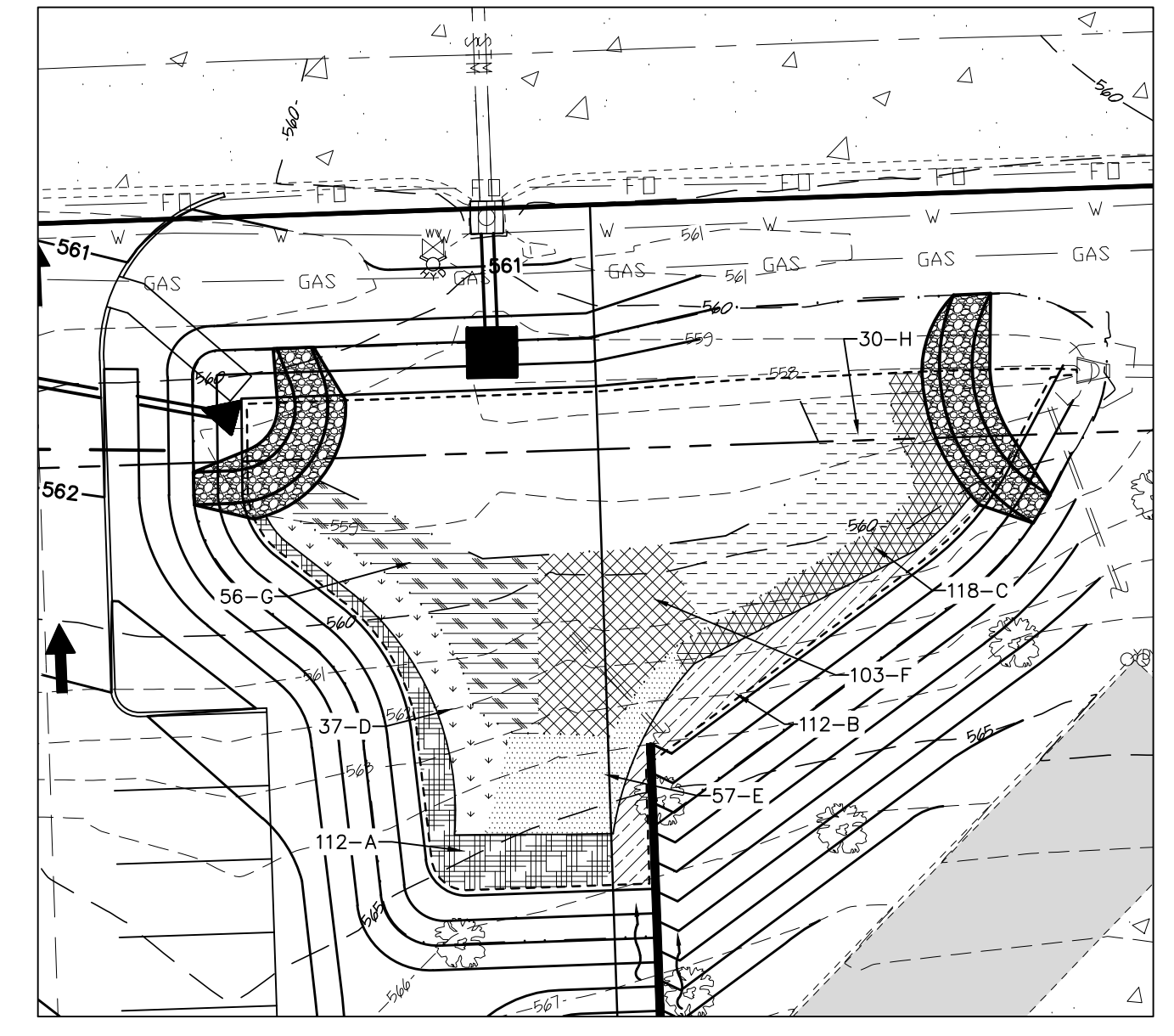
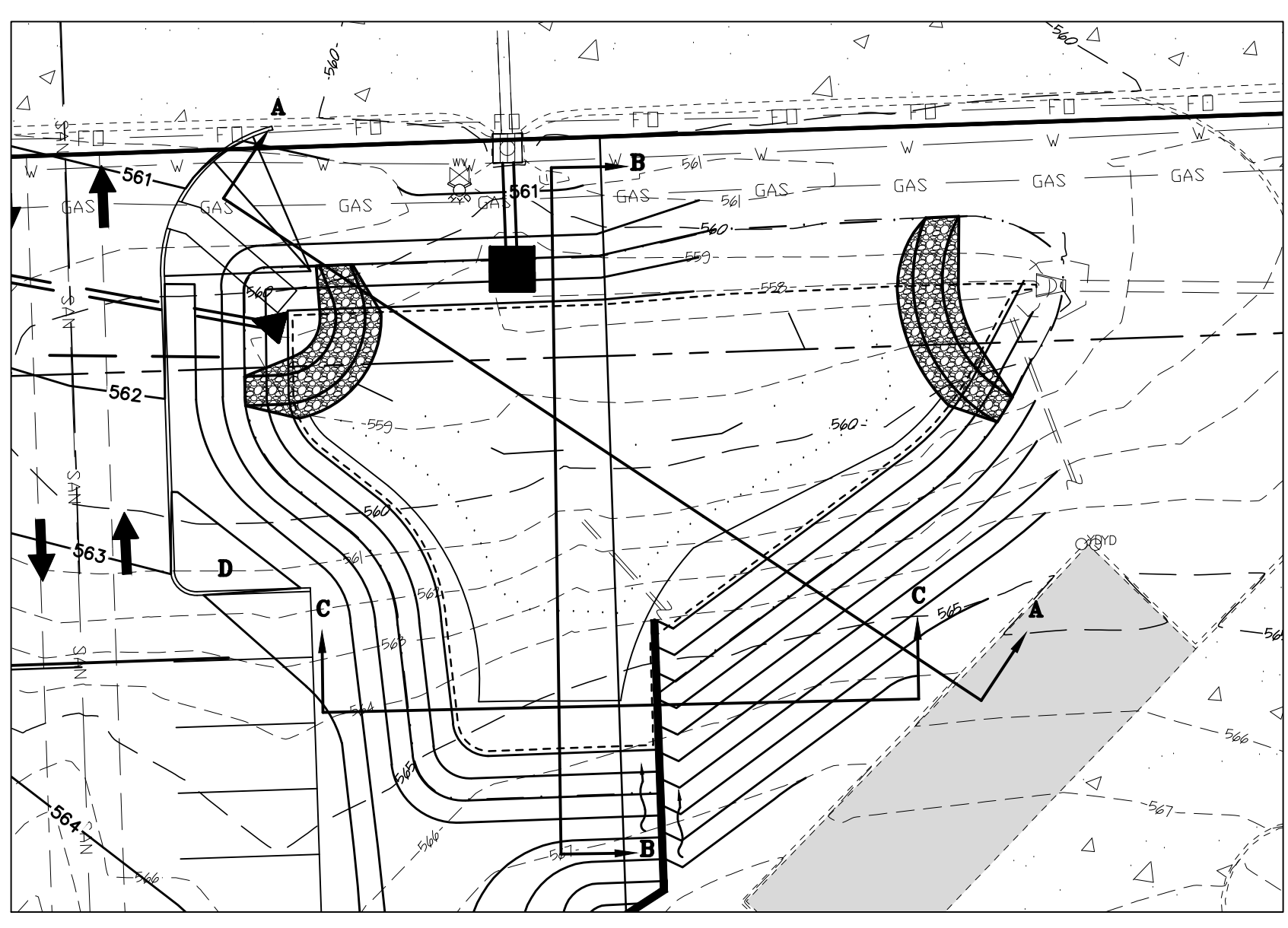
- THE PROPERTY OWNER WILL MAINTAIN THE BIORETENTION IN GOOD WORKING ORDER AND WILL BE INSPECTED EVERY 6 MONTHS FOR THE FOLLOWING:
 - SAID AREA SHALL BE CLEANED SHORTLY AFTER THE PROJECT IS COMPLETED AND EROSION CONTROL HAS BEEN REMOVED AND VEGETATION HAS BEEN ESTABLISHED.
 - AREA SHALL BE CLEANED OF ANY WEEDS, UNDERBRUSH, WILD GROWTH, DEBRIS OR LITTER.
 - PLANTINGS WILL BE EVALUATED AND ANY DEAD PLANT SHALL BE REPLACED.
 - IF ACCUMULATED SEDIMENT HAS CLOGGED THE SURFACE PORES OF THE RAIN GARDEN, THEN DRILLING OR PUNCHING SMALL HOLES INTO THE SURFACE LAYER SHALL BE DONE TO RESTORE INFILTRATION CAPACITY OF THE SOIL.

ITEM	WETLAND ZONE	DESCRIPTION	LINE TYPE
1	LOW LAND ZONE	The low land zone stays at the normal pool elevation of 557.78.	----
2	HIGH MARSH ZONE	The high marsh zone can start at the normal pool elevation or 6" below the normal pool. The high marsh zone starts at a 557.28.	----
3	LOW MARSH ZONE	The low marsh zone can be 6" below the normal pool elevation and can go down to 18" below normal pool. Low Marsh zone starts at a 556.78
4	DEEP POOL ZONE	The deep pool zone can start at 18" below the normal pool and can get as deep as 48" below normal pool. The deep pool zone starts at a 556.28 and will go as deep as 553.78	----

PLANT SPACING 'D'	ROW SPACING 'A'	NUMBER OF PLANTS/SOFT
60"	52.0"	0.045
30"	26.0"	0.160
24"	20.8"	0.25
18"	15.6"	0.45
15"	13.0"	0.64
12"	10.4"	1.00
10"	8.66"	1.44
8"	6.93"	2.25



PLANT SPACING GUIDE
NOT TO SCALE



PROJECT TITLE:
PROGRESS WEST LOT 2

ENGINEERING PLANNING SURVEYING
221 Point View Blvd.
St. Charles, MO 63301
636-928-5662
FAX 928-1718

CLIFFORD L. HEITMANN
CIVIL ENGINEER
E29817
Copyright 2022
Box Engineering Company, Inc.
Authority No. 000655
All Rights Reserved

REVISIONS

NO.	DATE	DESCRIPTION
05-19-22		CITY COMMENTS
06-10-22		CITY COMMENTS
06-30-22		CITY COMMENTS

Developer / Owner:
Davis Family Trust
2209 Droste Rd.
St. Charles, MO 63301

P+Z No. #21-009309
Approval Date: 11/04/21
City No. #
Page No.

C12

DETAILS

Issue Date: 03/16/2022
Box Project # 21-18493