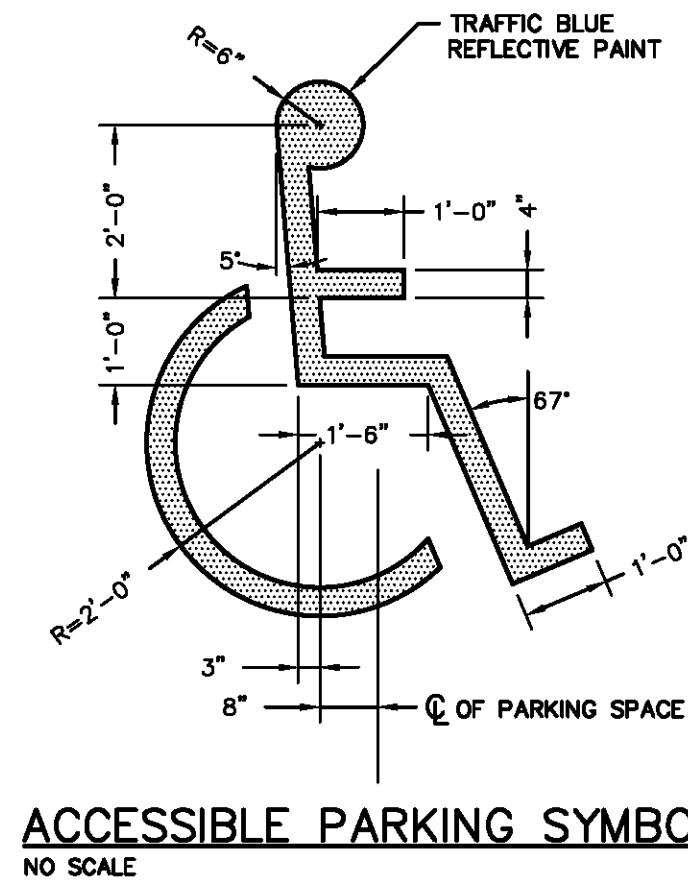
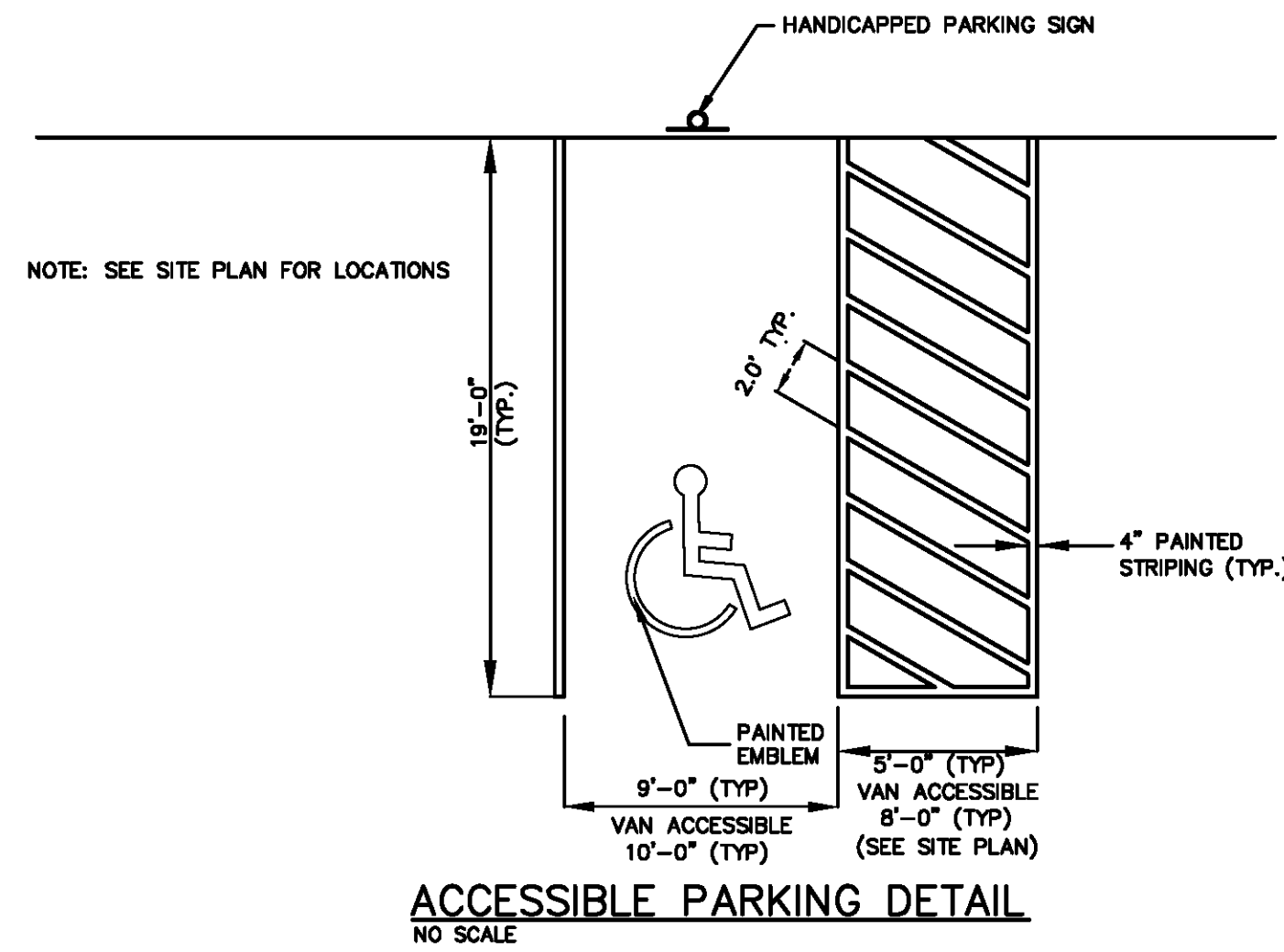


MSD Landscape Guide for Stormwater Best Management Practices

Table 3: Planting, Water and Mulch Requirements

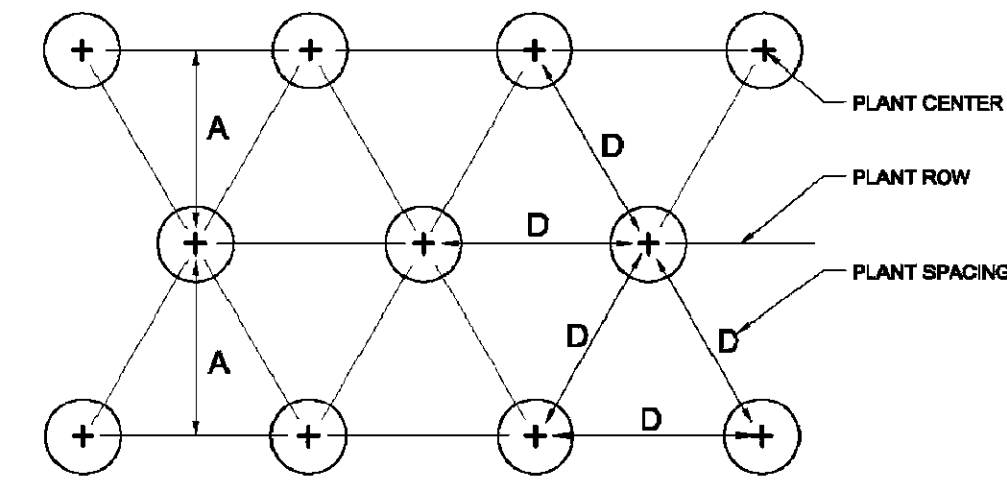
Water Availability	Required Planting Period	Minimum Container Size	Water Requirement First 3 Weeks*	Water Requirement After 3 Weeks*	Maximum Mulch Depth****
No ability to water after	Late Feb. - April only	2.25' x 3.75' or larger	Water each plug immediately		1.5 for plugs
Manual watering with standard sprinker	Late Feb. - Early June Sept. - October	4.5' x 5' (quart) or larger in summer & fall	1" (60 min) every 4 days	1" (60 min) every 7 days until plants established***	1.5' for plugs 2.5' for quarts
Automatic irrigation	Late Feb. - Early Oct.	2.25' x 3.75" (plug) or larger in spring	1" (60 min) every 4 days in spring and fall	1" (60 min) every 7 days until plants established***	1.5' for plugs 2.5' for quarts
Set to water more frequently than normal during first two months after planting!		4.5' x 5' (quart) or larger in summer & fall	1" (60 min) every 3 days in summer		

*This water amount includes natural rainfall. If you get a 1/8 inch of natural rain then you will need to add a 1/8 inch of water to meet the 1 inch requirement.
 **Requires transport of water to the planting site in large containers and pouring enough water onto each plant (after planting) to moisten the entire planting pit.
 ***Plants are established when roots have grown out of the container soil and into the native soil by 3-5 inches. This normally takes 3-4 months for most perennials and grasses and up to 6-7 months for trees and shrubs.
 ****Shredded leaf compost is recommended for use with perennials and grasses. Shredded bark mulch is recommended for tree and shrub plantings at a depth of 3 inches.

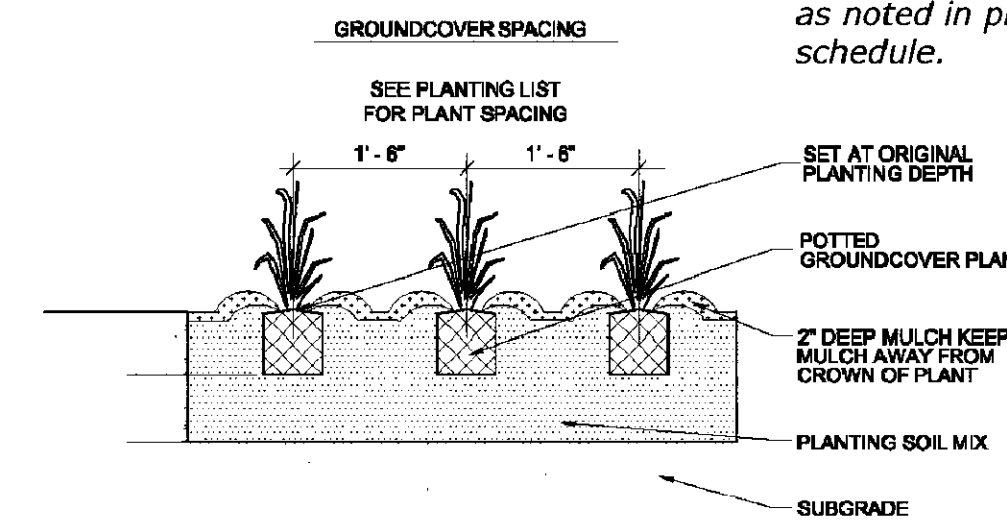


SPACING "D"	ROW "A"	NUMBER OF PLANTS/SQ. FT.
30"	28"	.180
24"	20.8"	.25
18"	15.6"	.450
15"	13.0"	.640
12"	10.4"	1.00
10"	8.66"	1.44
8"	6.93"	2.25

NOTE: PLANT QUANTITIES WERE DETERMINED BY MULTIPLYING AREA (SQ. FT.) BY NUMBER OF PLANTS/SQ. FT. FOR REQUIRED SPACING.



Quantity of plants as noted in planting schedule.



- NOTES:
- REMOVE SPENT FLOWERS PRIOR TO PLANTING.
 - LOOSEN ROOT MASS AT BOTTOM OF ROOTBALL.
 - TOP OF ROOTBALL STRIPPED OF 1/2" SURFACE GROWING MEDIA AND COVERED WITH 1/2" LANDSCAPE BED MIX PLUS SURFACE MULCH.

Plant Spacing Plan
N.T.S. Planting Detail Courtesy of Ted Spald SWT Design, St. Louis, MO

MSD Landscape Guide for Stormwater Best Management Practices

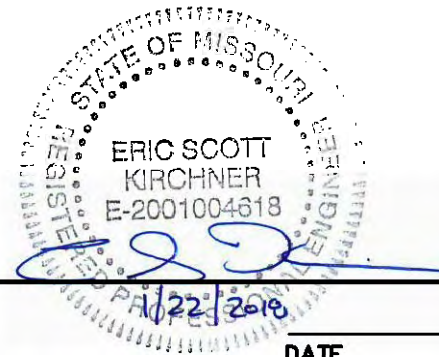
PLANT SCHEDULE

QTY.	I.D.	COMMON NAME	BOTANICAL NAME	SIZE	SPACING
FORBS					
113	-	New England Aster	<i>Aster novae-angliae</i>	5q	2'
113	-	Lanceleaf Coreopsis	<i>Coreopsis lanceolata</i>	1g	1.5'
113	-	Purple Coneflower	<i>Echinacea purpurea</i>	3q	1.5'
113	-	Rose Mallow	<i>Hibiscus lasiocarpus</i>	5q	2.5'
113	-	Southern Blueflag Iris	<i>Iris virginica</i>	5q	2'
113	-	Slender Mountain Mint	<i>Pycnanthemum tenuifolium</i>	3q	1.5'
113	-	Yellow / Gray Coneflower	<i>Ranuncula nigra</i>	3q	1.5'
116	-	Rough-Leaved Goldenrod	<i>Solidago missouriensis</i>	1g	1.5'

Note: Contractor responsible for quantity of plants and materials based upon the plan. Quantities in plant schedule are estimates only.

Lot 1 of Kemmar Court

Engineering Company's Information



DATE: 1/22/2018
Kurtis J. Daniels No. E-28665
Registered Professional Engineer
State of Missouri
for Cochran Engineering & Surveying

Owner: Hero, LLC
Developer: Grace Hauling
1010 Hoff Road
O'Fallon, MO 63366
Phone: 636-398-8060
City of O'Fallon Standard Sheet

P+Z No.
Approval Date: 7/6/13
City No. 00-42.06

Page No.
C2