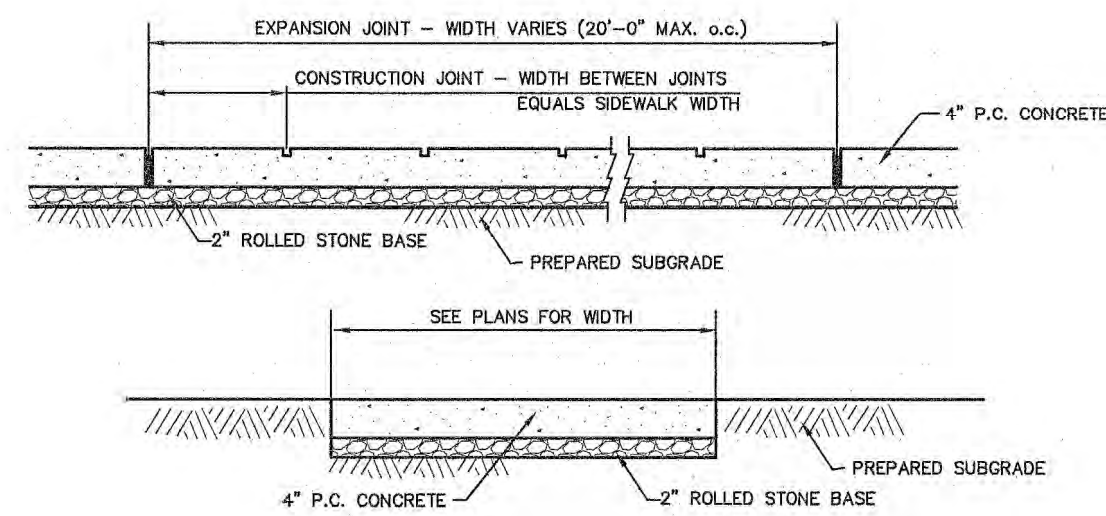


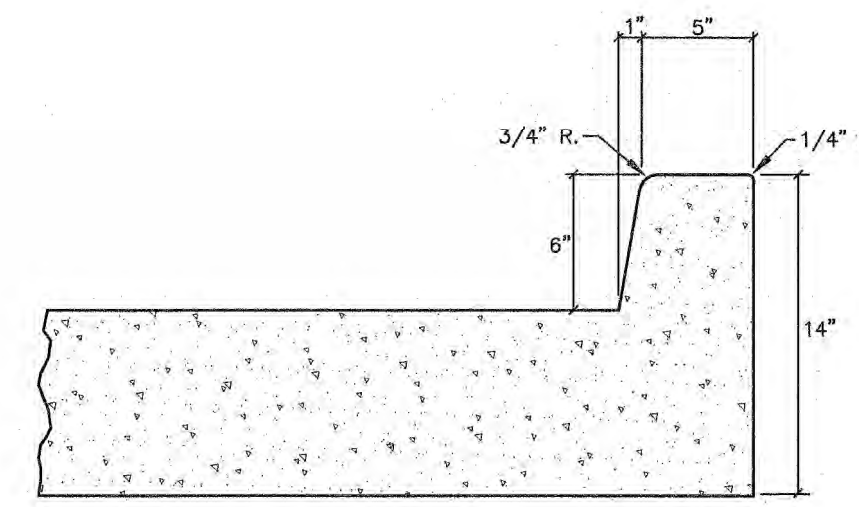
ONSITE PAVEMENT DETAIL
NOT TO SCALE

- NOTE:
 1. ALL GRANULAR ROLLED STONE BASE UNDER PROPOSED CONCRETE MUST BE COMPACTED TO 100% STANDARD PROCTOR OR 95% MODIFIED PROCTOR.
 2. CONCRETE COMPRESSIVE STRENGTH SHALL BE 4000 PSI IN 28 DAYS.

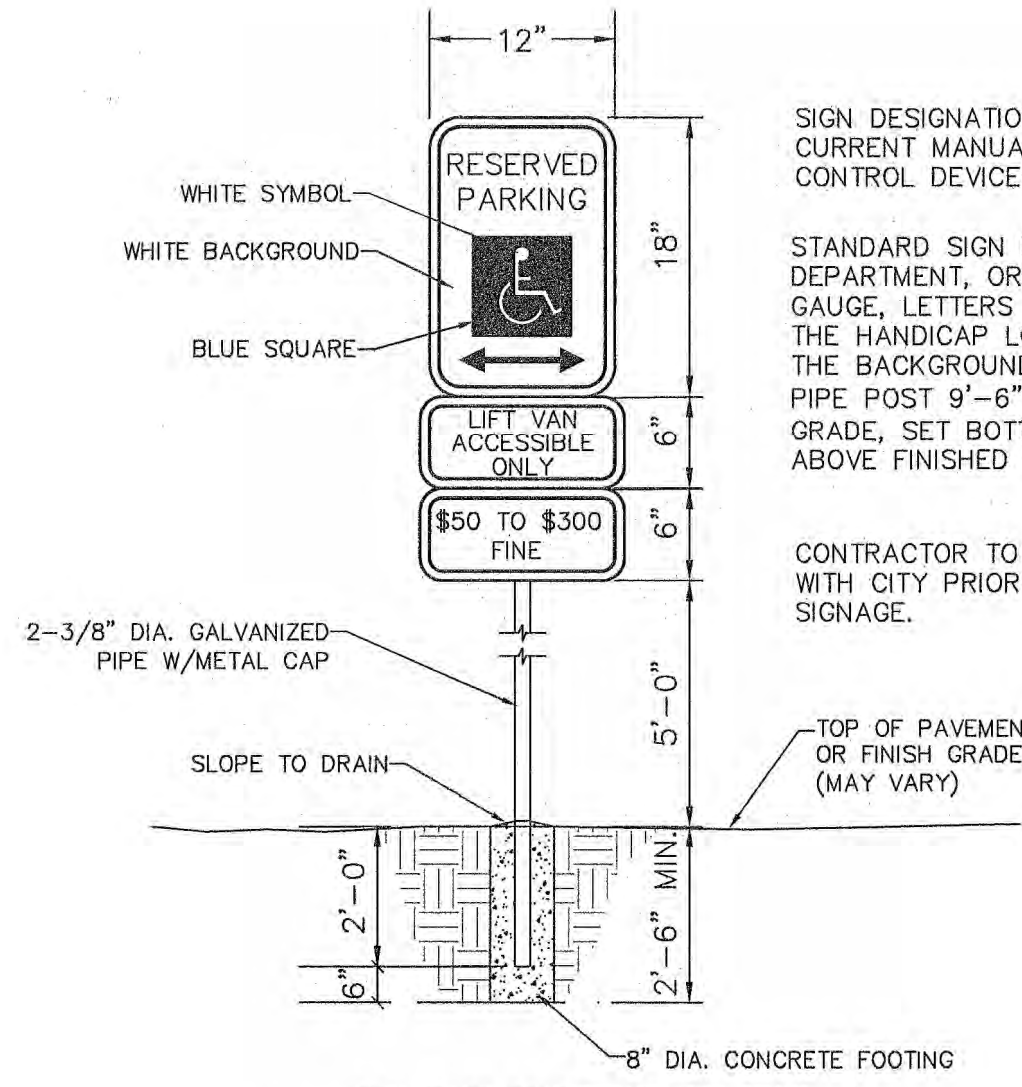


CONCRETE SIDEWALK DETAIL
NOT TO SCALE

* ALL GRANULAR ROLLED STONE BASE UNDER PROPOSED CONCRETE MUST BE COMPACTED TO 100% STANDARD PROCTOR OR 95% MODIFIED PROCTOR. CONCRETE COMPRESSIVE STRENGTH SHALL BE 4000 PSI IN 28 DAYS.



TYPE "A" INTEGRAL CURB
N.T.S.

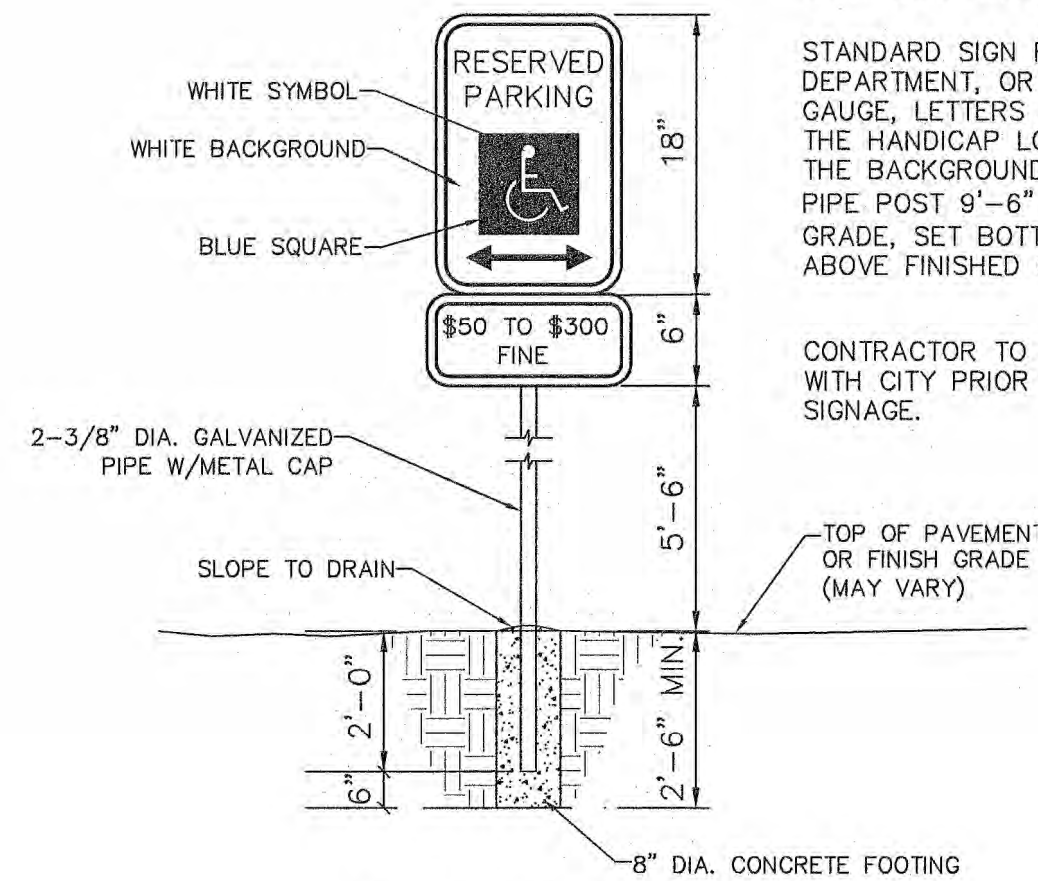


ACCESSIBLE VAN PARKING SIGN
NOT TO SCALE

SIGN DESIGNATIONS ARE FROM THE CURRENT MANUAL ON UNIFORM TRAFFIC CONTROL DEVICES.

STANDARD SIGN FACE, STANDARD HIGHWAY DEPARTMENT, OR CITY STREET DEPARTMENT GAUGE, LETTERS AND BORDERS ARE GREEN, THE HANDICAP LOGO SQUARE IS BLUE AND THE BACKGROUND IS WHITE, GALVANIZED PIPE POST 9'-6" LONG, SET 2'-0" INTO GRADE, SET BOTTOM OF "FINE" SIGN 5'-0" ABOVE FINISHED GRADE.

CONTRACTOR TO VERIFY ALL SIGNAGE WITH CITY PRIOR TO ORDERING ALL SIGNAGE.

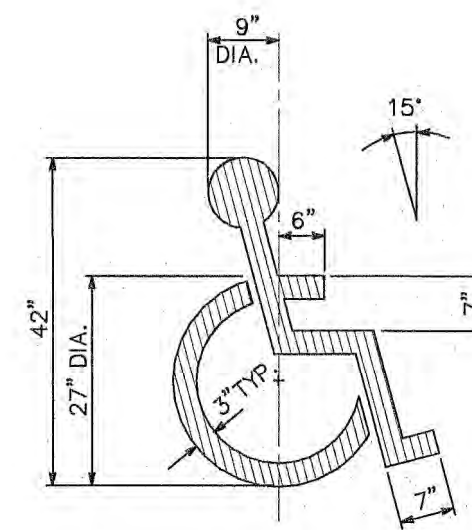


ACCESSIBLE CAR PARKING SIGN
NOT TO SCALE

SIGN DESIGNATIONS ARE FROM THE CURRENT MANUAL ON UNIFORM TRAFFIC CONTROL DEVICES.

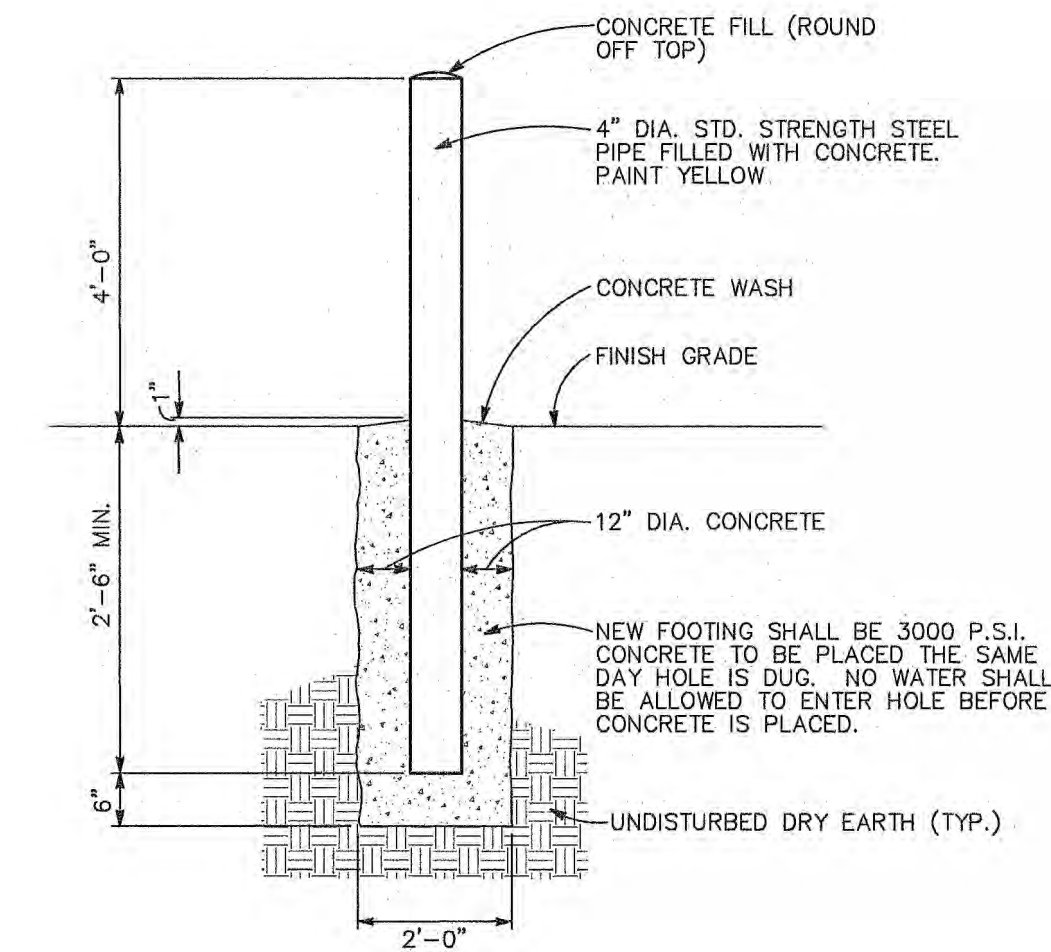
STANDARD SIGN FACE, STANDARD HIGHWAY DEPARTMENT, OR CITY STREET DEPARTMENT GAUGE, LETTERS AND BORDERS ARE GREEN, THE HANDICAP LOGO SQUARE IS BLUE AND THE BACKGROUND IS WHITE, GALVANIZED PIPE POST 9'-6" LONG, SET 2'-0" INTO GRADE, SET BOTTOM OF "FINE" SIGN 5'-6" ABOVE FINISHED GRADE.

CONTRACTOR TO VERIFY ALL SIGNAGE WITH CITY PRIOR TO ORDERING ALL SIGNAGE.

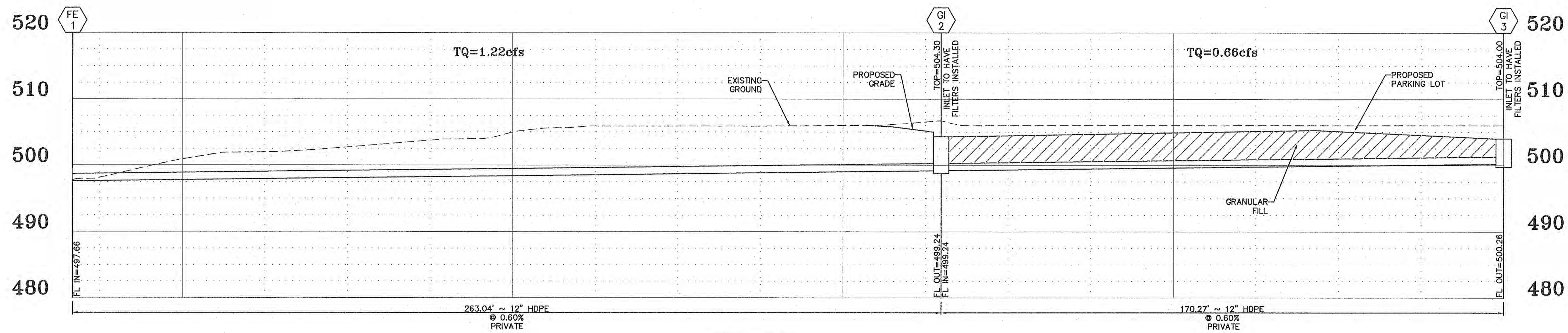


PAINTED ACCESSIBLE PARKING SYMBOL
NOT TO SCALE

NOTE: All painted ADA symbols and ADA parking striping shall be blue.



4" PIPE BOLLARD DETAIL
NOT TO SCALE



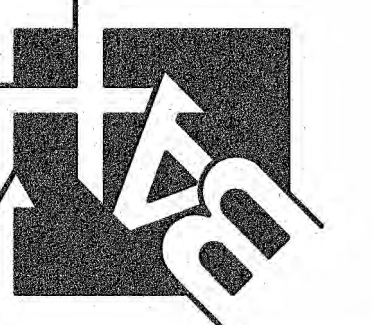
STORM SEWER
 SCALES:
 HORIZ. 1" = 20'
 VERT. 1" = 10'

PROJECT TITLE:

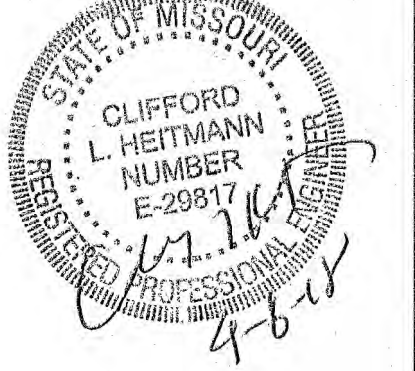
**COOL SPRING CT.
PARKING ADDITION**

Issue Date: 05/09/2018

ENGINEERING
PLANNING
SURVEYING
221 Point West Blvd.
St. Charles, MO 63301
636-928-5652
FAX 636-928-1718



DISCLAIMER OF RESPONSIBILITY
I hereby specify that the documents intended to be authorized by my seal are limited to this sheet, and I hereby disclaim any responsibility for all other Drawings, Specifications, Estimates, Reports or other documents or instruments relating to or intended to be used for any part or parts of the architectural or engineering project or survey.



REVISIONS	
03-19-18	CITY COMMENTS
03-29-18	CITY COMMENTS

Developer / Owner:
 MJSM, L.L.C.
 2209 DROSTE ROAD
 ST. CHARLES, MO 63301
 636-949-0680

DETAILS AND STORM PROFILE

P+Z No. 17-012943
 Approved Feb. 1, 2018
 City No. PERMIT #CSP18-000003

Page No.
 4 of 5