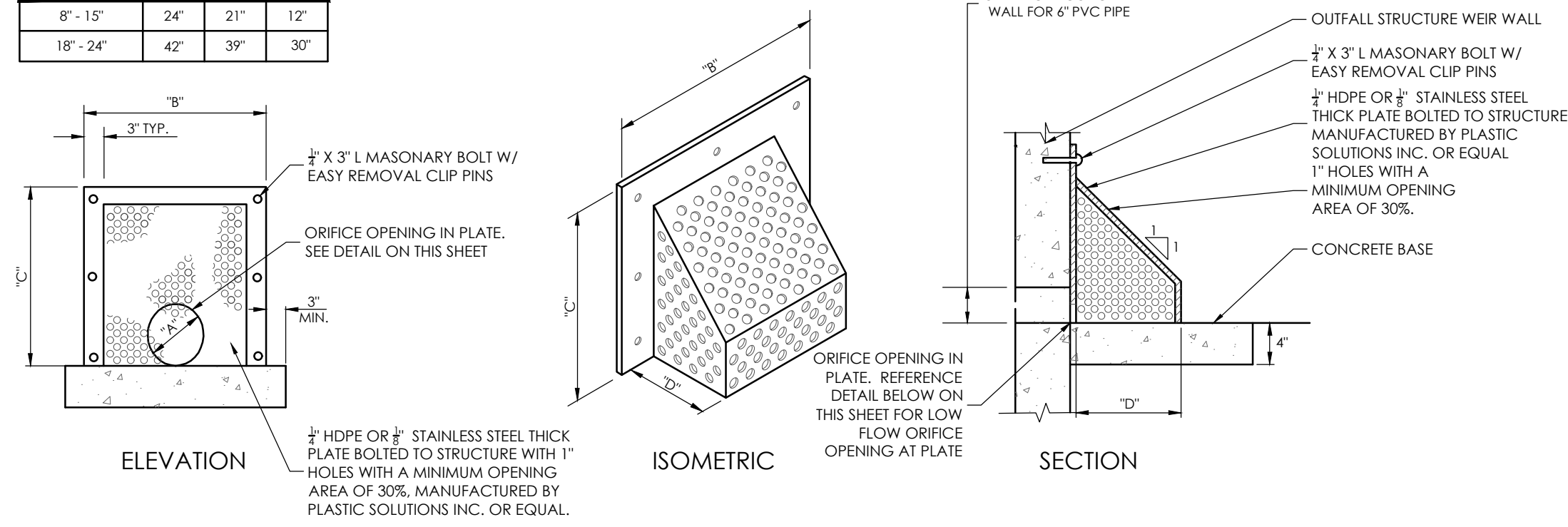
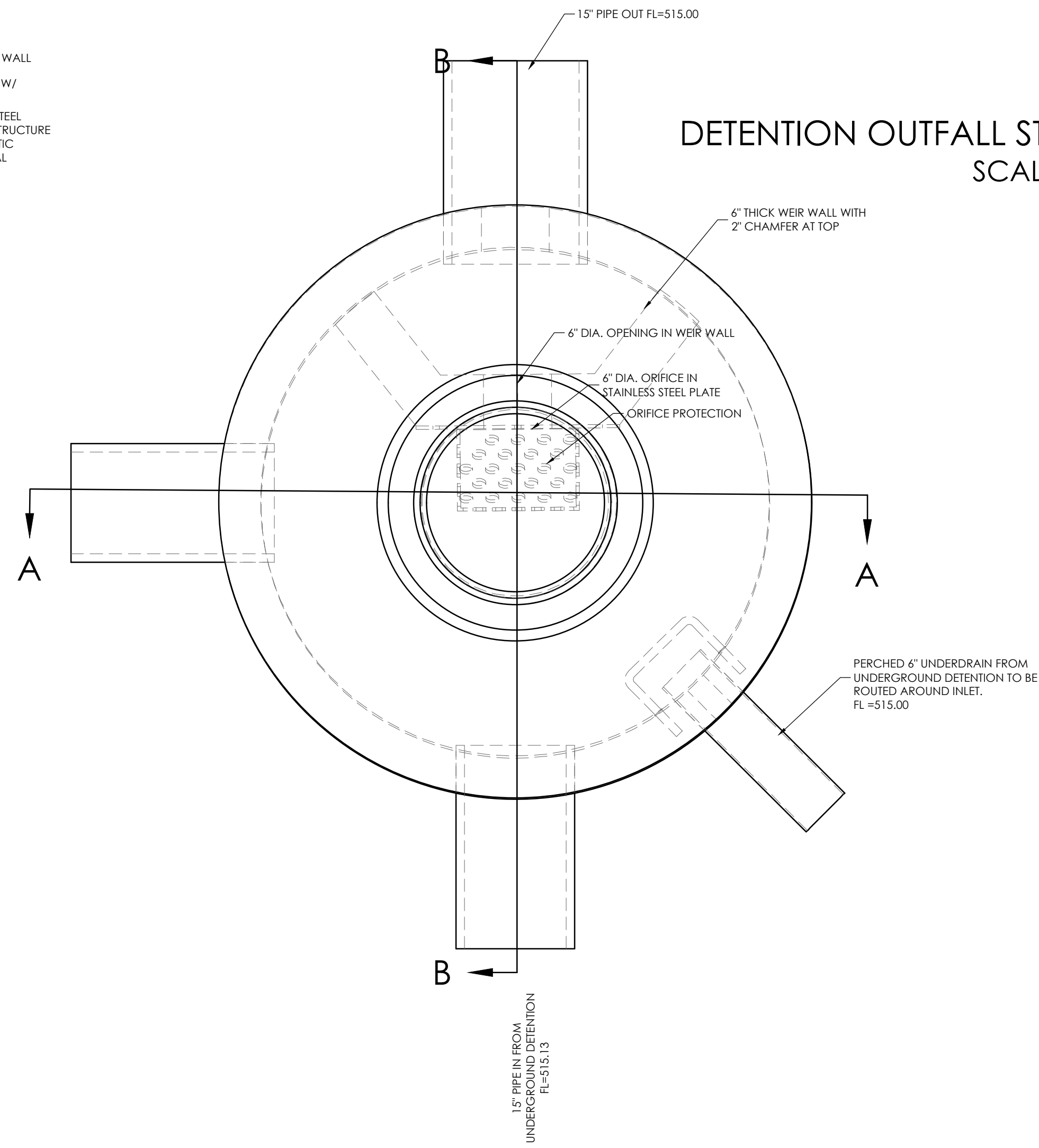


| LOW FLOW CULVERT DIA. "A" | "B" | "C" | "D" |
|---------------------------|-----|-----|-----|
| 1.00' - 6" | 18" | 15" | 6" |
| 8" - 15" | 24" | 21" | 12" |
| 18" - 24" | 42" | 39" | 30" |

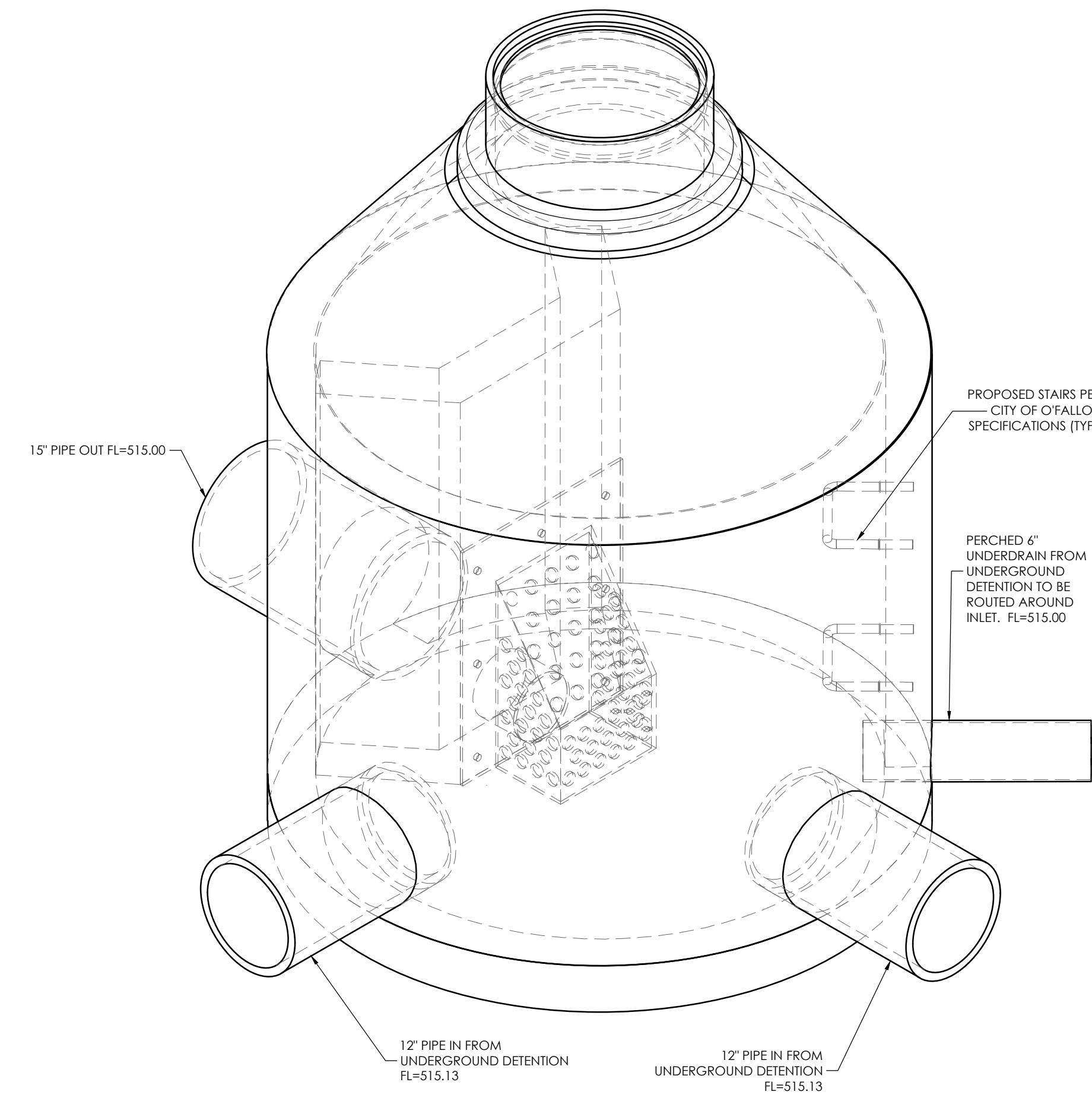
TRASH RACK MUST MEET MINIMUM STANDARDS AS SHOWN ON PLASTICSOLUTIONS.COM OR EQUAL



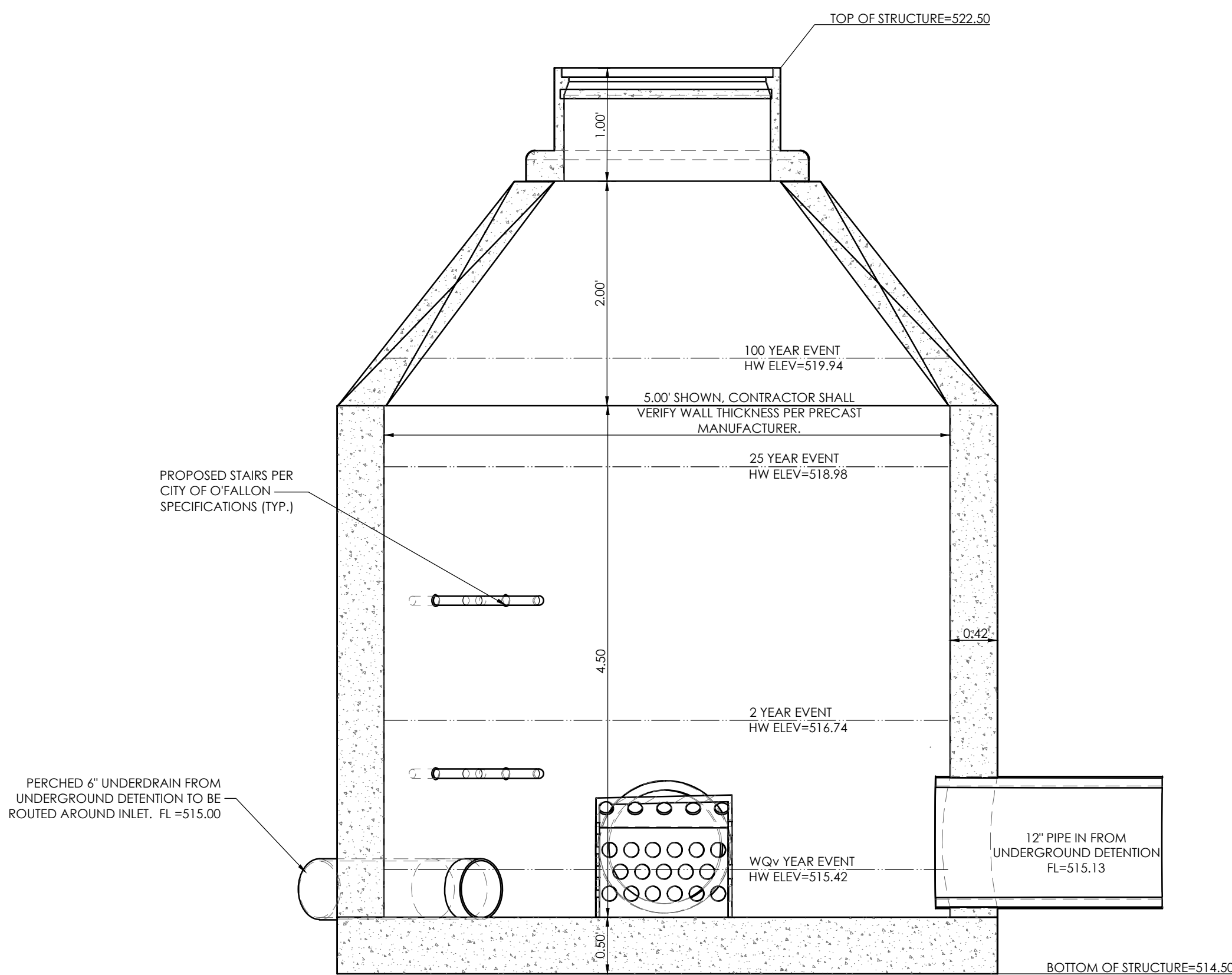
ORIFACE PROTECTION DETAIL (N.T.S.)



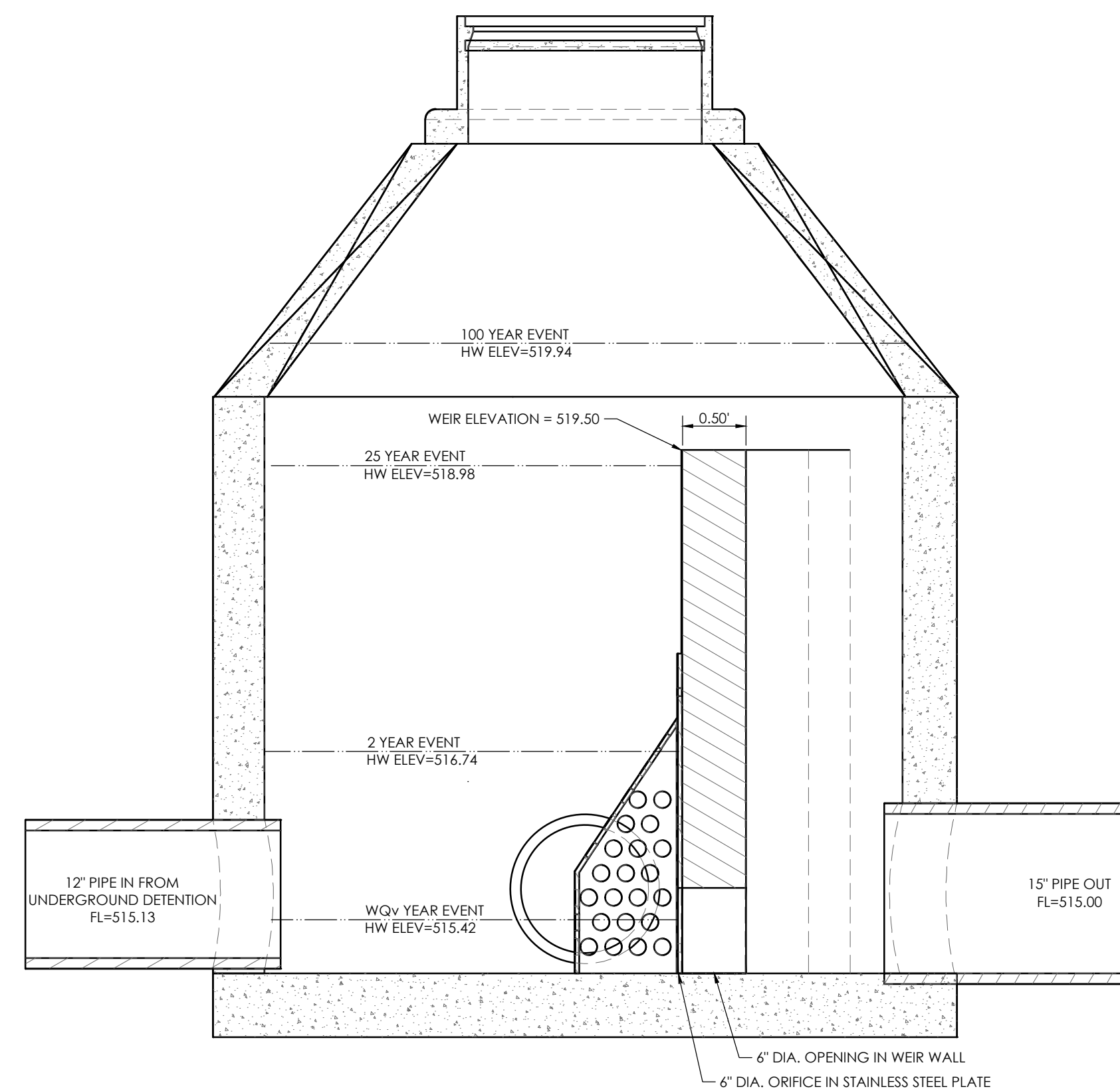
DETENTION OUTFALL STRUCTURE DETAIL - OS 101 SCALE = 1"=1'



DETENTION OUTFALL ISOMETRIC VIEW - OS 101 SCALE = 1"=1'



SECTION A-A SCALE 1" = 1'



SECTION B-B SCALE 1" = 1'

NOTE: SHOP DRAWINGS REQUIRED PRIOR TO CONSTRUCTION FOR OS 101.



ENGINEERS AUTHENTICATION
The responsibility for professional engineering liability on this project is hereby limited to the set of plans authorized by the seal, signature, and date hereon attached. Responsibility is disclaimed for all other engineering plans involved in this project and specifically excludes revisions after the date when authenticated.
SCOTT FELDT, P.E.
PROFESSIONAL ENGINEER
PE 2021009071

RCP-N LLC
2892 HIGHWAY K
O'FALLON, MO 63366
RCP-N LLC
660 OFFICE PARKWAY
CREVE COEUR, MO 63141

Project
Date 4/19/2024

| # | Revision Date | Description of Changes |
|---|---------------|------------------------|
| | | |
| | | |
| | | |

Sheet Title: UNDERGROUND DETENTION DETAILS
Sheet No: C-402

Project No. 2214120
Drawn By D. STOSZ
Checked By S. FELDT

NOT RELEASED FOR CONSTRUCTION

\\vaup-hpc\vaup\civil\3d PROJECTS\2022\2114120_1P_2892 Highway K Engineering Construction Drawings\Sheet\02 UNDERGROUND DETENTION DETAILS.dwg