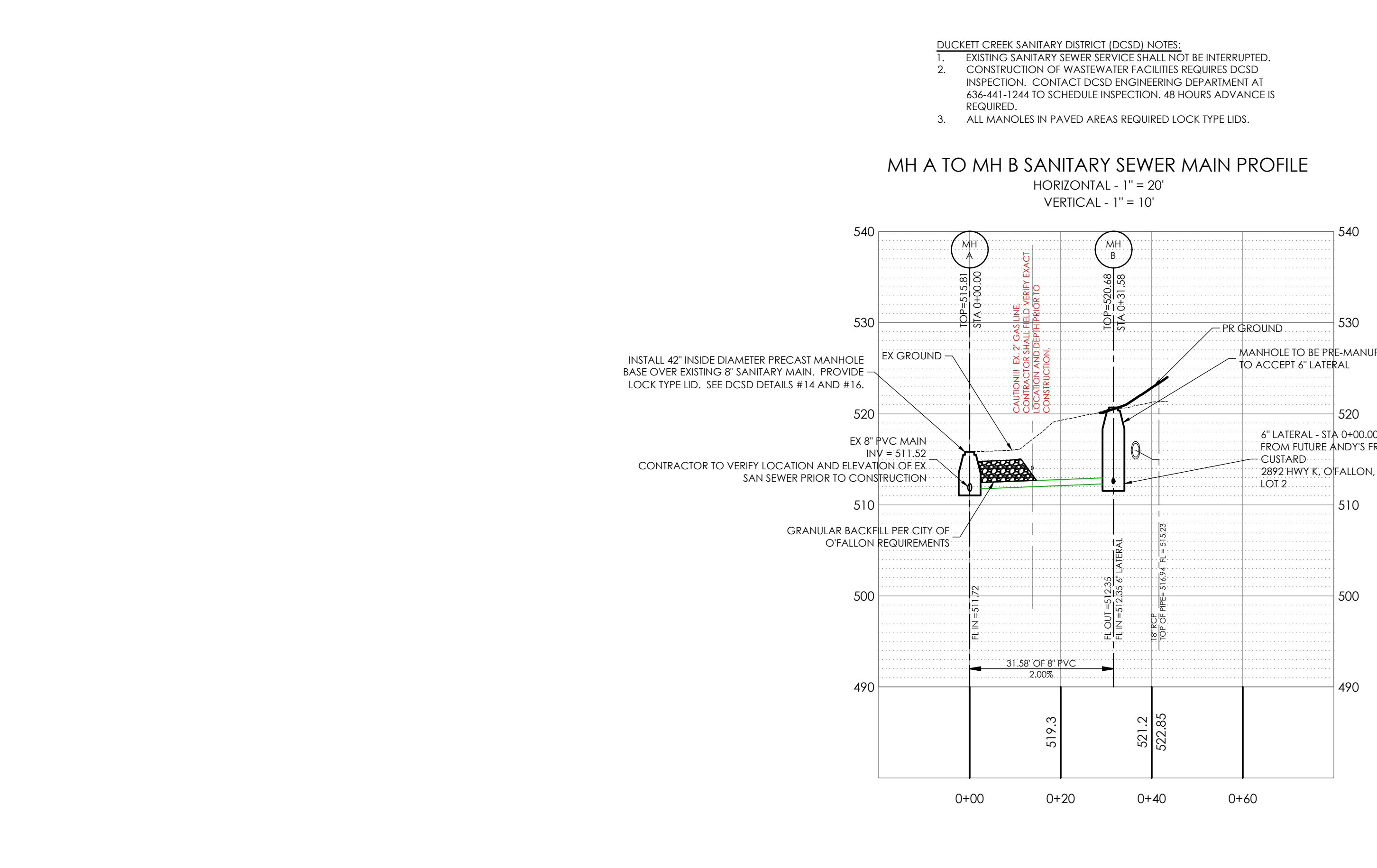
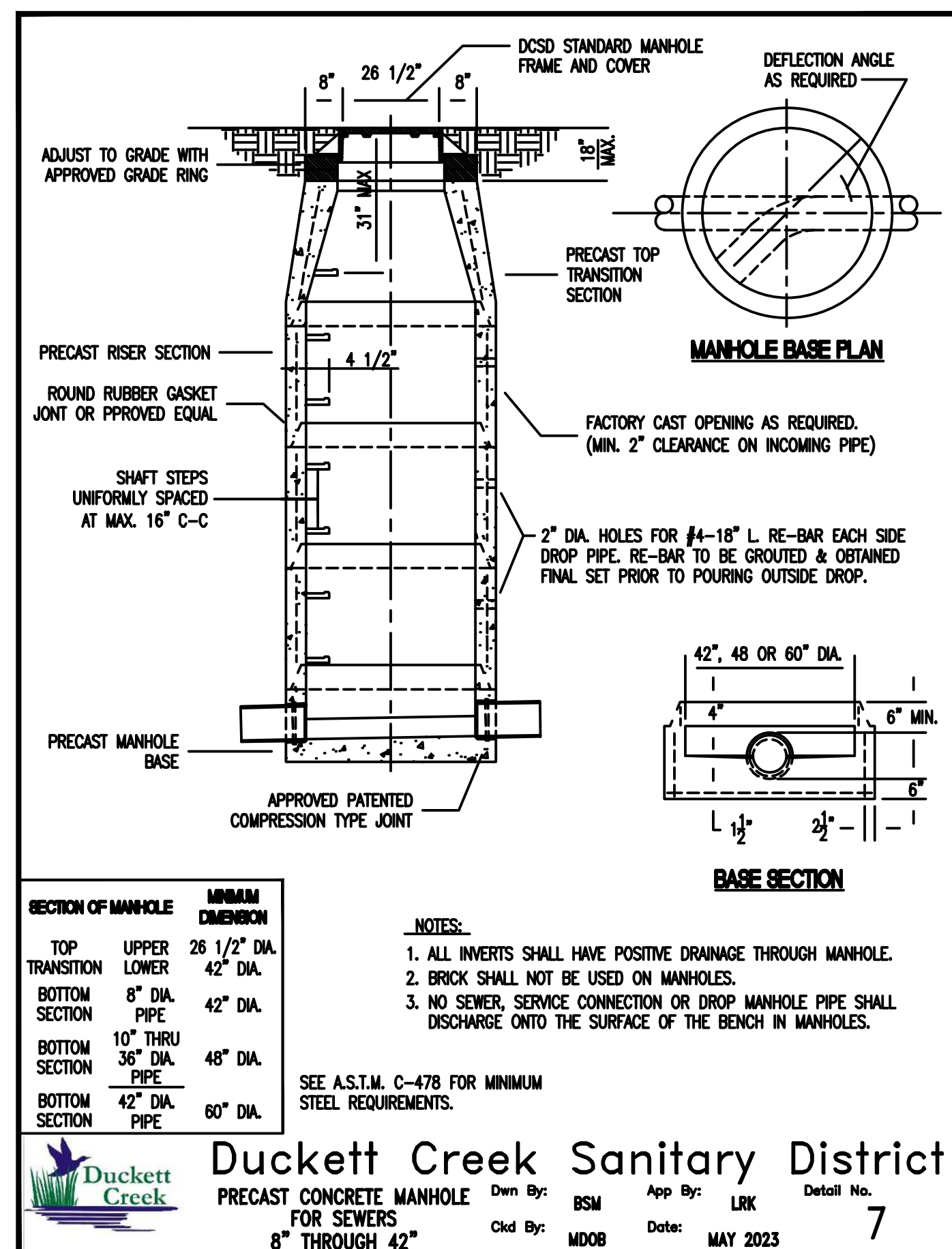
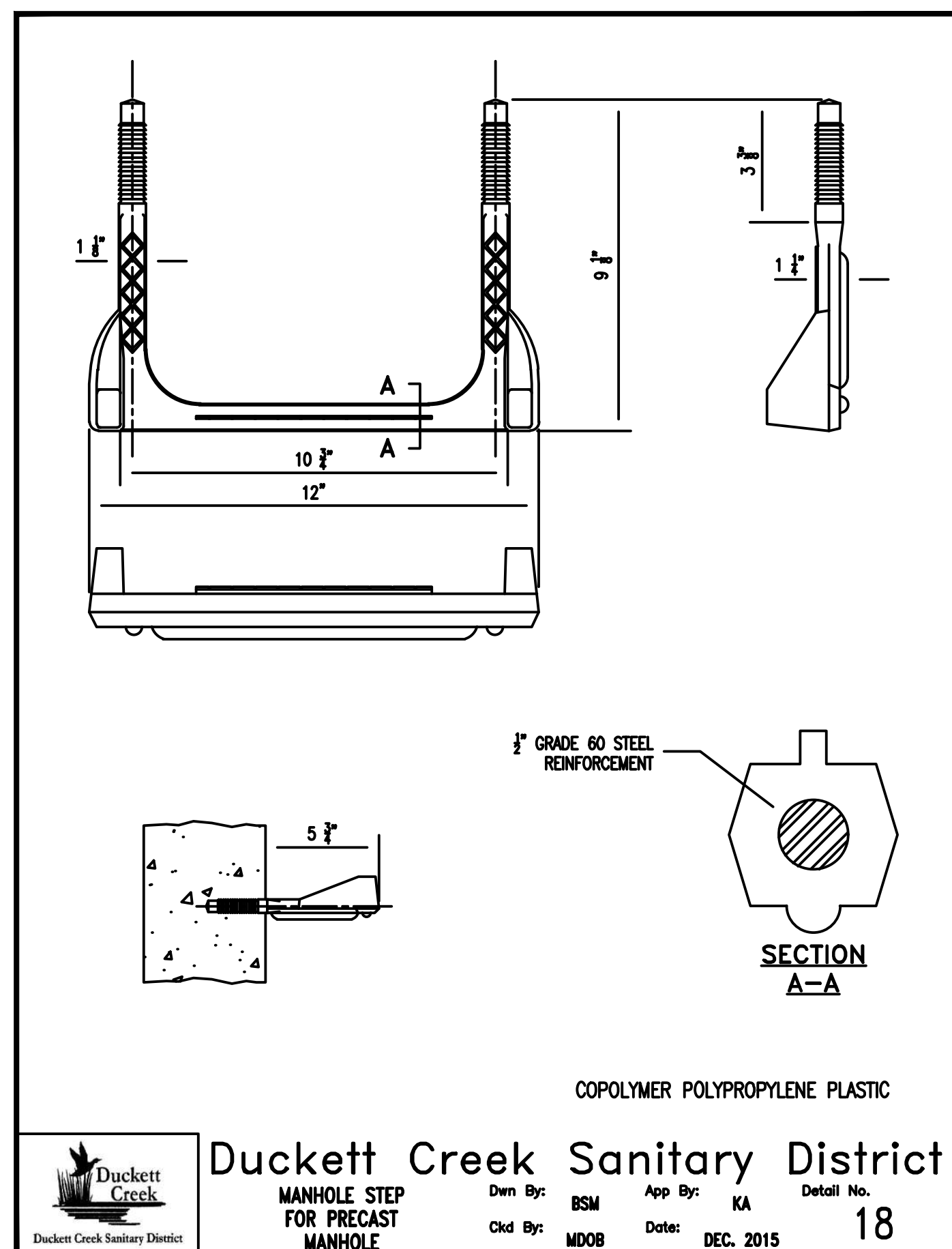
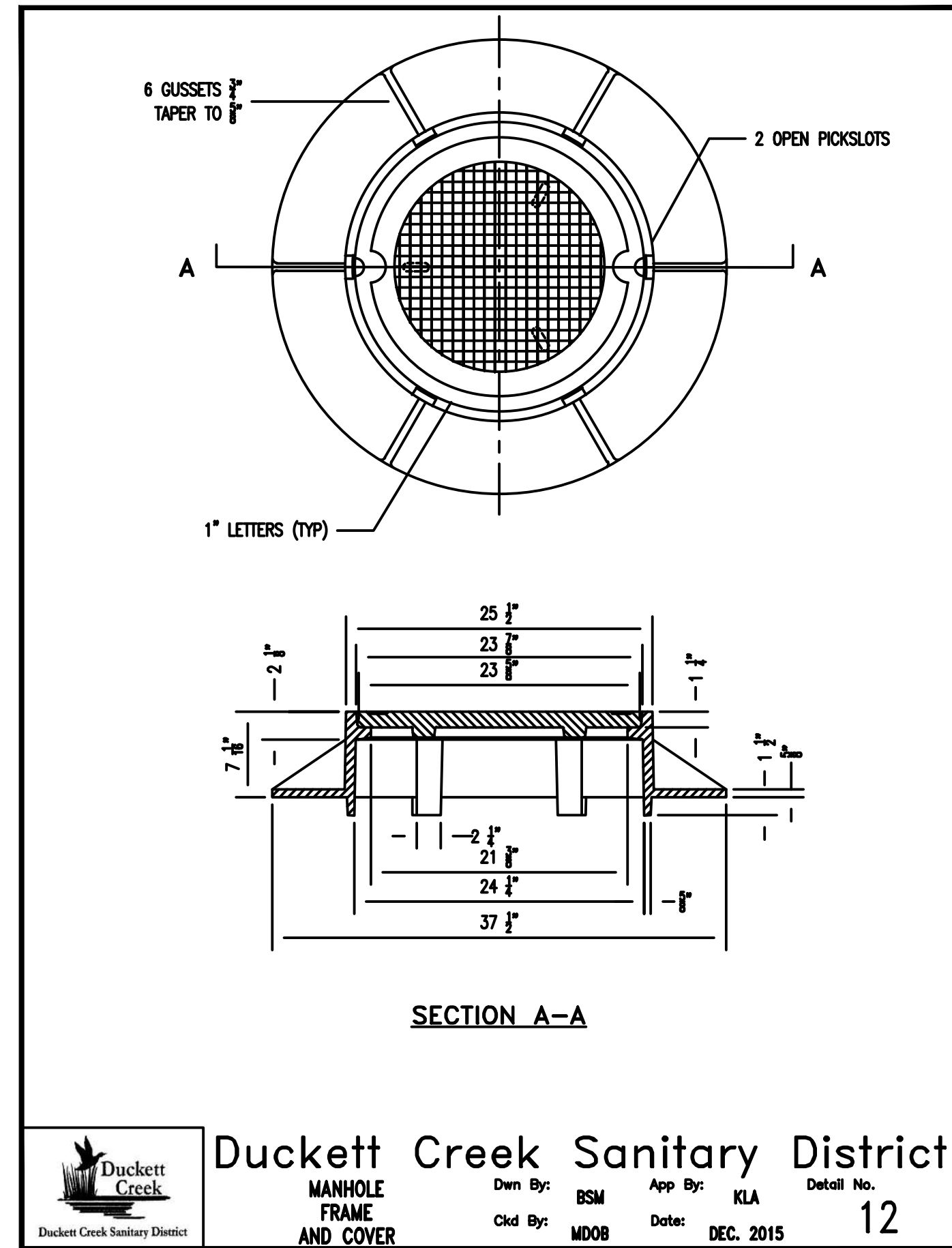
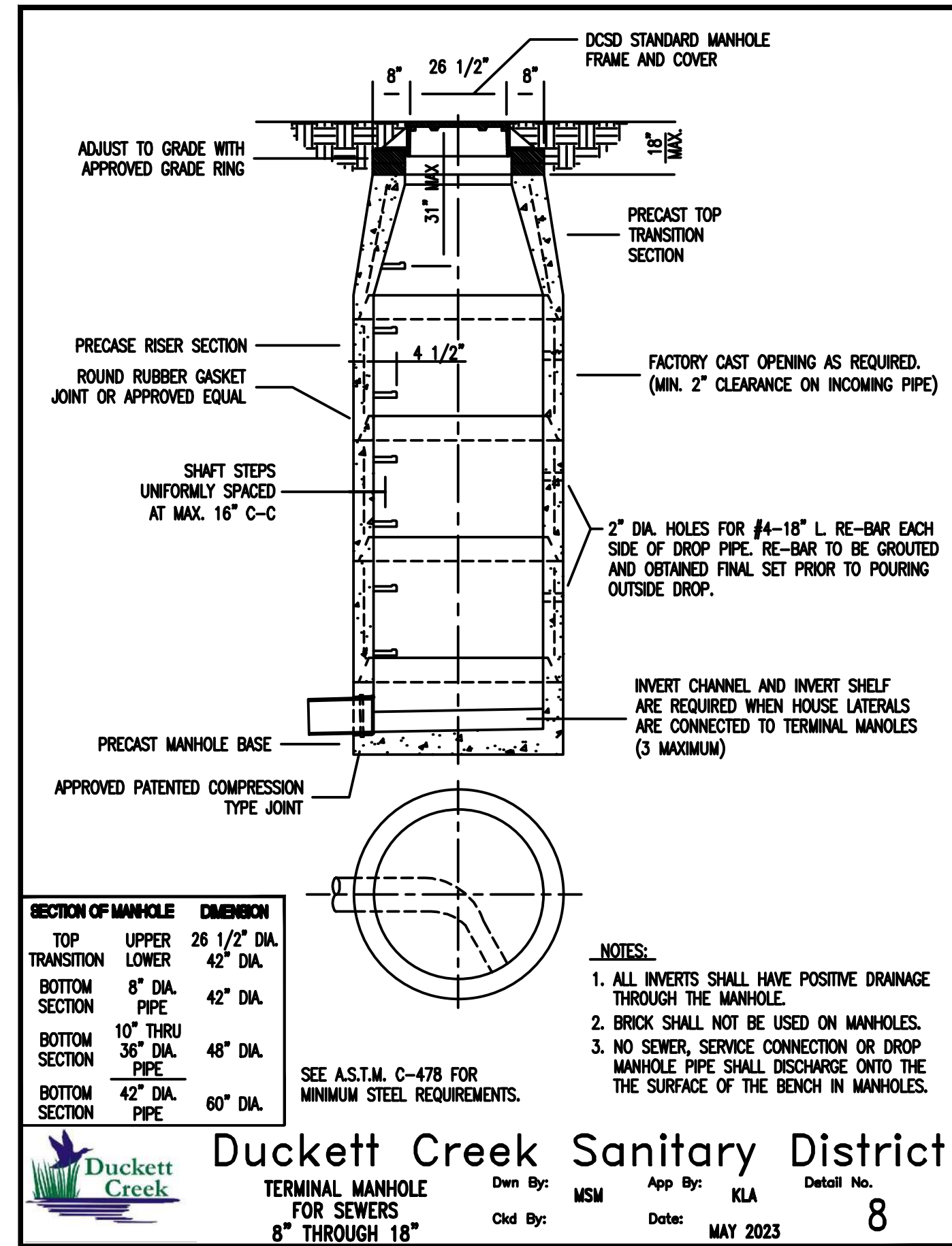
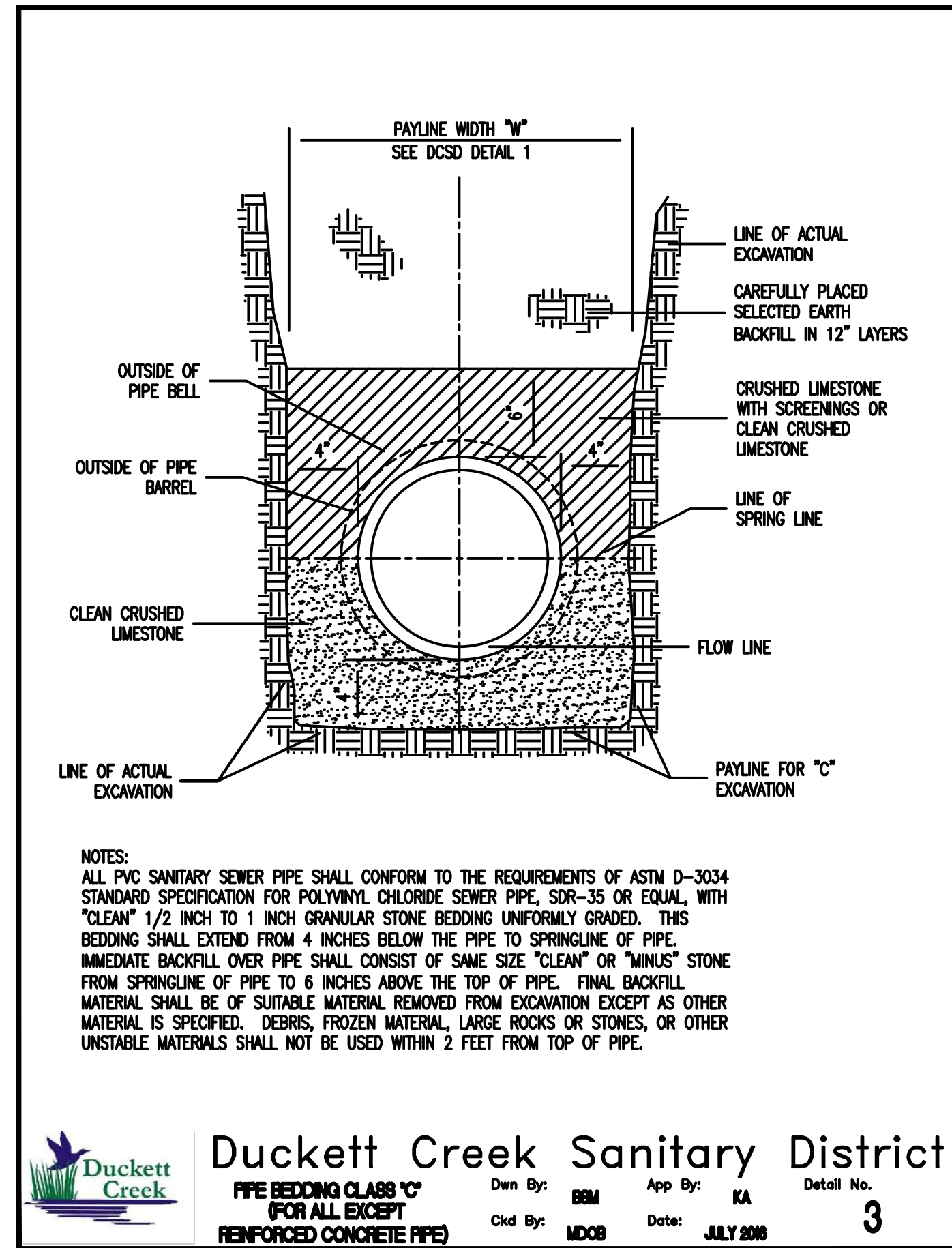


ROUND PIPE				HORIZONTAL ELLIPTICAL PIPE			
INSIDE DIAMETER OF PIPE (INCHES)	"W" PAYLINE WIDTH OF TRENCH (INCHES)	"W" PAYLINE WIDTH OF TRENCH (FEET)	PAY-VOLUMES CU. FT. PER FT. CONCRETE ENCASEMENT	INSIDE DIAMETER OF PIPE (INCHES)	"W" PAYLINE WIDTH OF TRENCH (INCHES)	"W" PAYLINE WIDTH OF TRENCH (FEET)	PAY-VOLUMES CU. FT. PER FT. CONCRETE ENCASEMENT
4	30	2.50	3.28				
6	30	2.50	3.59				
8	30	2.50	3.87				
10	30	2.50	4.09				
12	30	2.50	4.25				
15	36	3.00	5.55				
18	36	3.00	5.77	14 x 23	41	3.42	5.94
21	39	3.25	6.61				
24	42	3.50	7.39	19 x 30	49	4.08	7.68
27	45	3.75	8.18	22 x 34	53	4.42	8.61
30	49	4.08	9.30	24 x 38	58	4.83	9.70
33	53	4.42	10.53	27 x 42	62	5.17	10.71
36	56	4.67	11.43	29 x 45	66	5.50	11.72
39	DISCONTINUED			32 x 49	71	5.92	13.14
42	63	5.25	13.38	34 x 53	75	6.25	14.05
48	70	5.83	15.67	38 x 60	83	6.92	16.18
54	77	6.42	18.15	43 x 68	92	7.67	18.81
60	84	7.00	20.73	48 x 76	101	8.42	21.59
66	91	7.58	23.45	53 x 83	109	9.08	24.35
72	98	8.17	26.37	58 x 91	118	9.83	27.45
78	105	8.75	29.39	63 x 98	126	10.50	30.50
84	112	9.33	32.57	68 x 106	135	11.25	33.91
90	119	9.92	35.90	72 x 113	143	11.92	36.99
96	126	10.50	39.37	77 x 121	152	12.67	40.69
102	133	11.08	42.99	82 x 128	160	13.33	44.45
108	140	11.67	46.75	87 x 136	168	14.00	47.79
114	147	12.25	50.66	92 x 143	176	14.67	51.70
120	154	12.83	54.72	97 x 151	185	15.42	56.01
126	161	13.42	58.92				
132	168	14.00	63.27	106 x 166	202	16.83	64.48
144	182	15.17	72.40	116 x 180	218	18.17	73.59

Duckett Creek Sanitary District
 PAYLINE WIDTHS OF TRENCH AND PAY-QUANTITIES OF CONCRETE
 Dwn By: BSM App By: KLA Detail No. 1
 Ckd By: MDOB Date: DEC. 2015



PREMIER DESIGN GROUP
 100 MIDLAND PARK DRIVE
 WENTZVILLE, MO 63385
 MISSOURI CERTIFICATE OF AUTHORITY #S-200200789

SCOTT FELDT
 LICENSED PROFESSIONAL ENGINEER
 PE 202100371
 4/19/24

ENGINEERS AUTHENTICATION
 The responsibility for professional engineering liability on this project is hereby limited to the set of plans authorized by the seal, signature, and date hereon attached. Responsibility is disclaimed for all other engineering plans involved in this project and specifically excludes reviews after the date hereon indicated.

SCOTT FELDT P.E.
 PROFESSIONAL ENGINEER
 PE 202100371

RCP-N LLC
 2892 HIGHWAY K
 O'FALLON, MO 63366
 RCP-N LLC
 660 OFFICE PARKWAY
 CREVE COEUR, MO 63141

Project: 2892 HIGHWAY K SANITARY SEWER MAIN EXTENSION
 Date: 4/19/2024

Sheet Title: SANITARY SEWER DETAILS
 Sheet No: C-403

Revision Table:
#	Revision Date	Description of Changes
 1 | | |
 2 | | |
 3 | | |
 4 | | |
 5 | | |
 6 | | |
 7 | | |
 8 | | |
 9 | | |
 10 | | |

Project No: 2214120
 Drawn By: D. STOSZ
 Checked By: S. FELDT
 NOT RELEASED FOR CONSTRUCTION