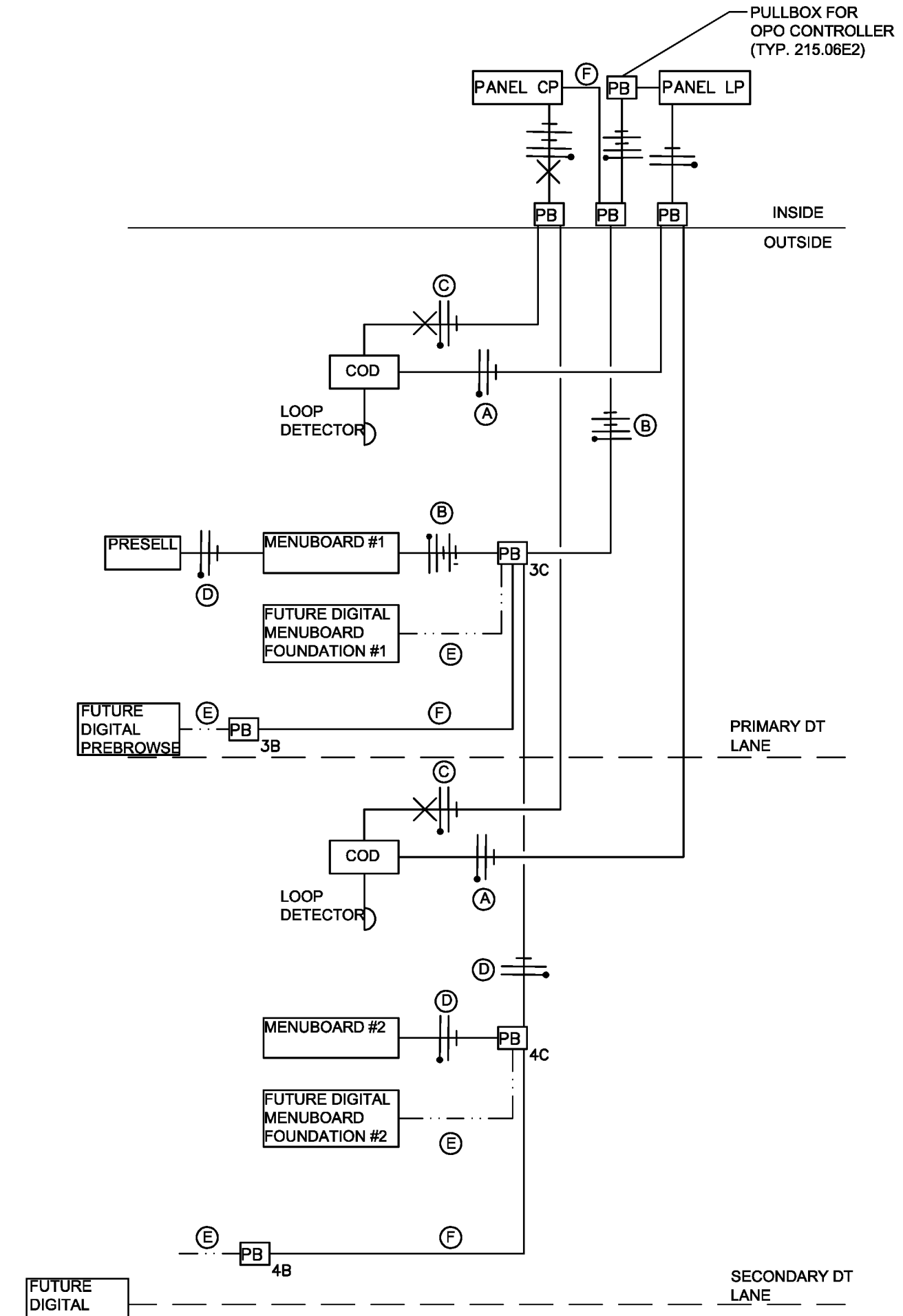
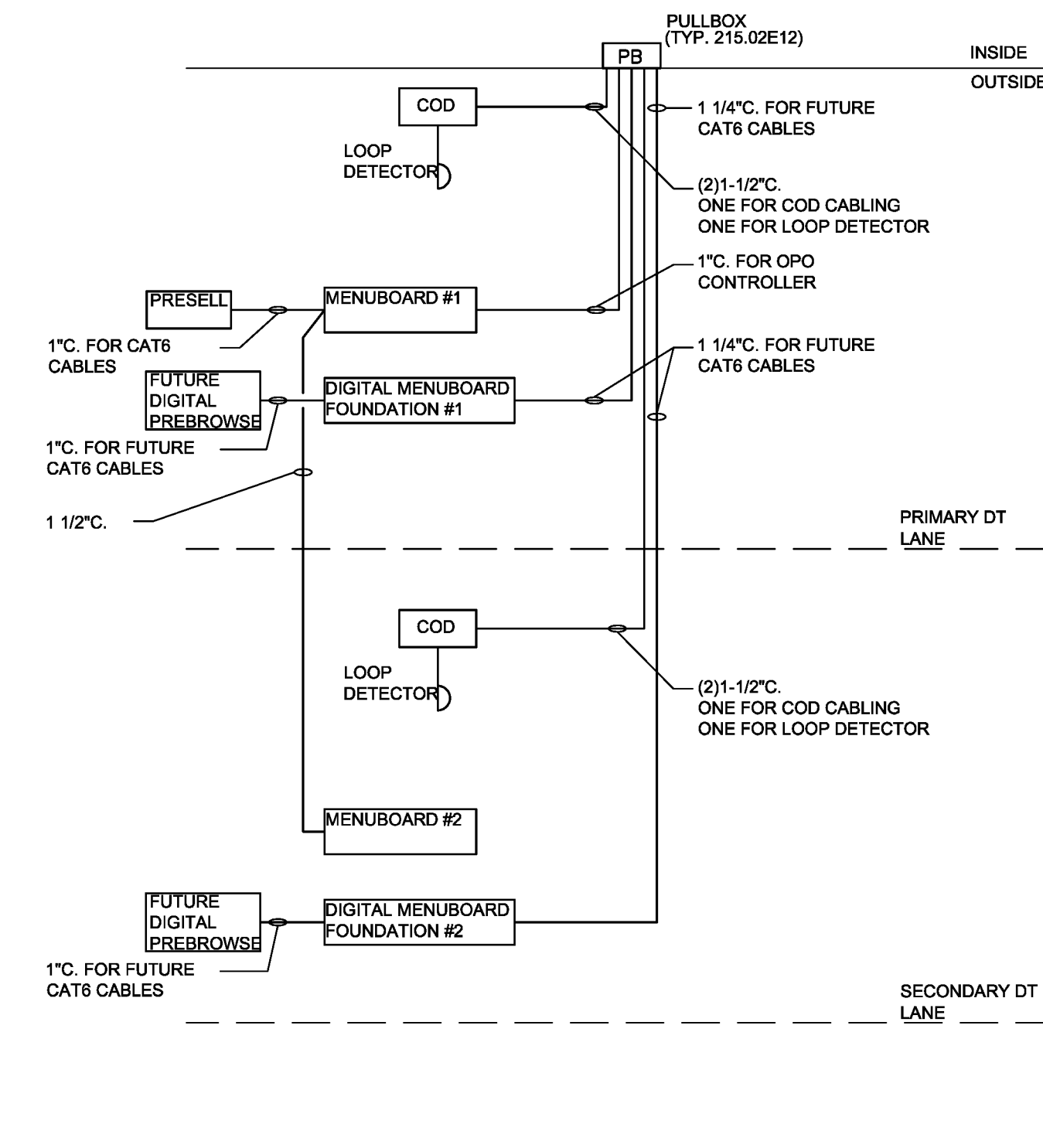


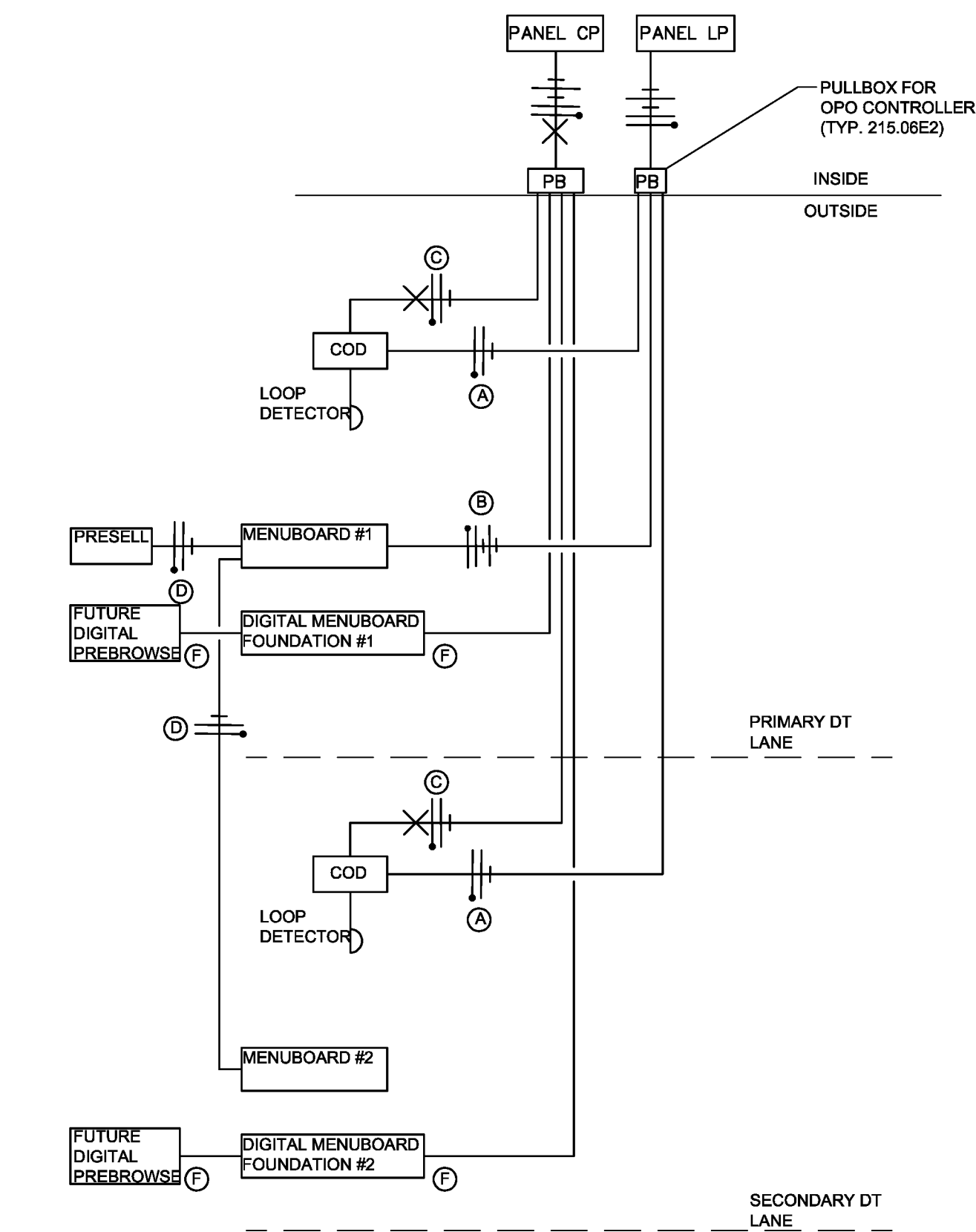
1 DT LOW VOLTAGE CONDUIT DIAGRAM (OPTION 1.0)
E-DT NOT TO SCALE



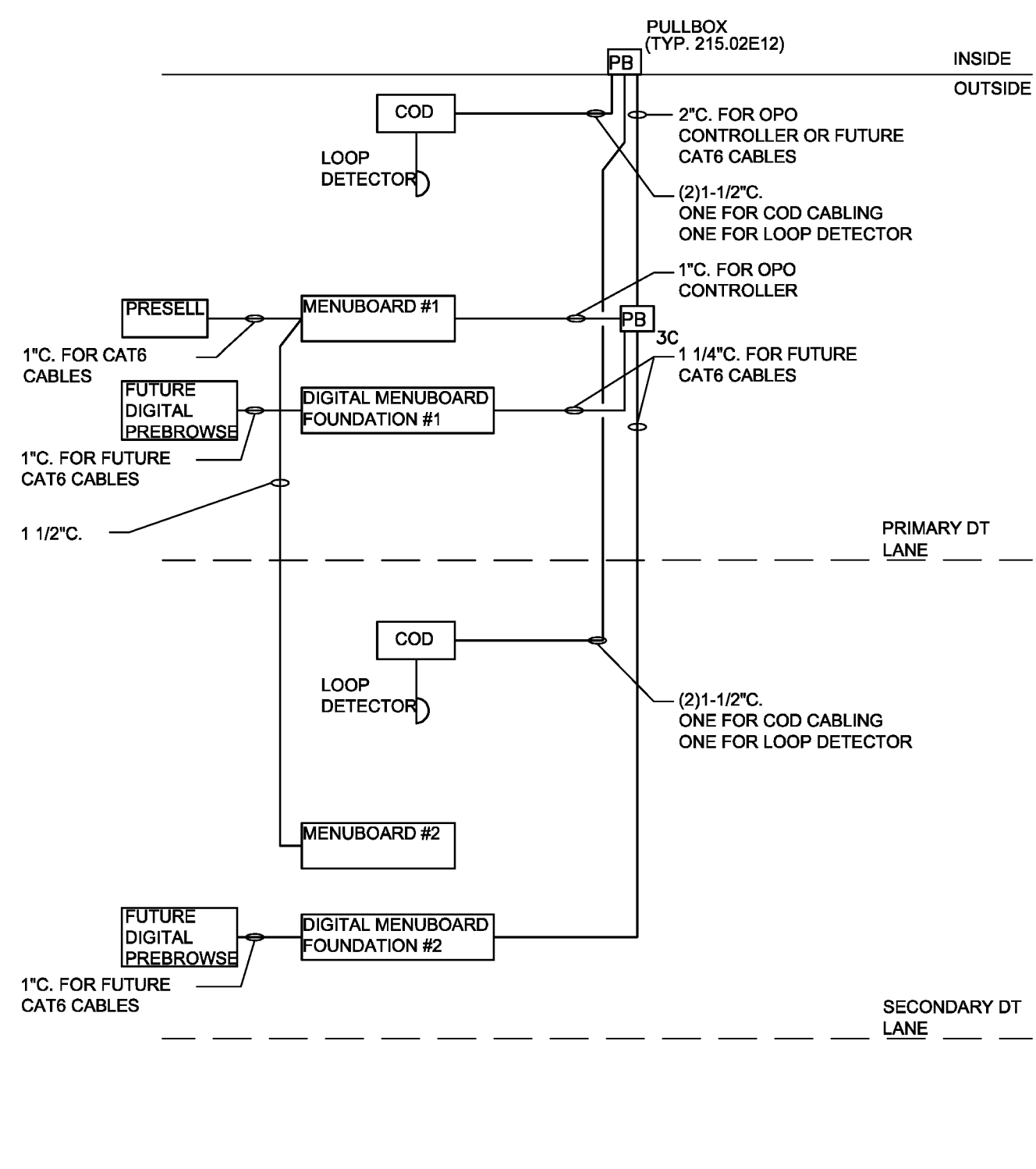
2 DT POWER DIAGRAM (OPTION 1.0)
E-DT NOT TO SCALE



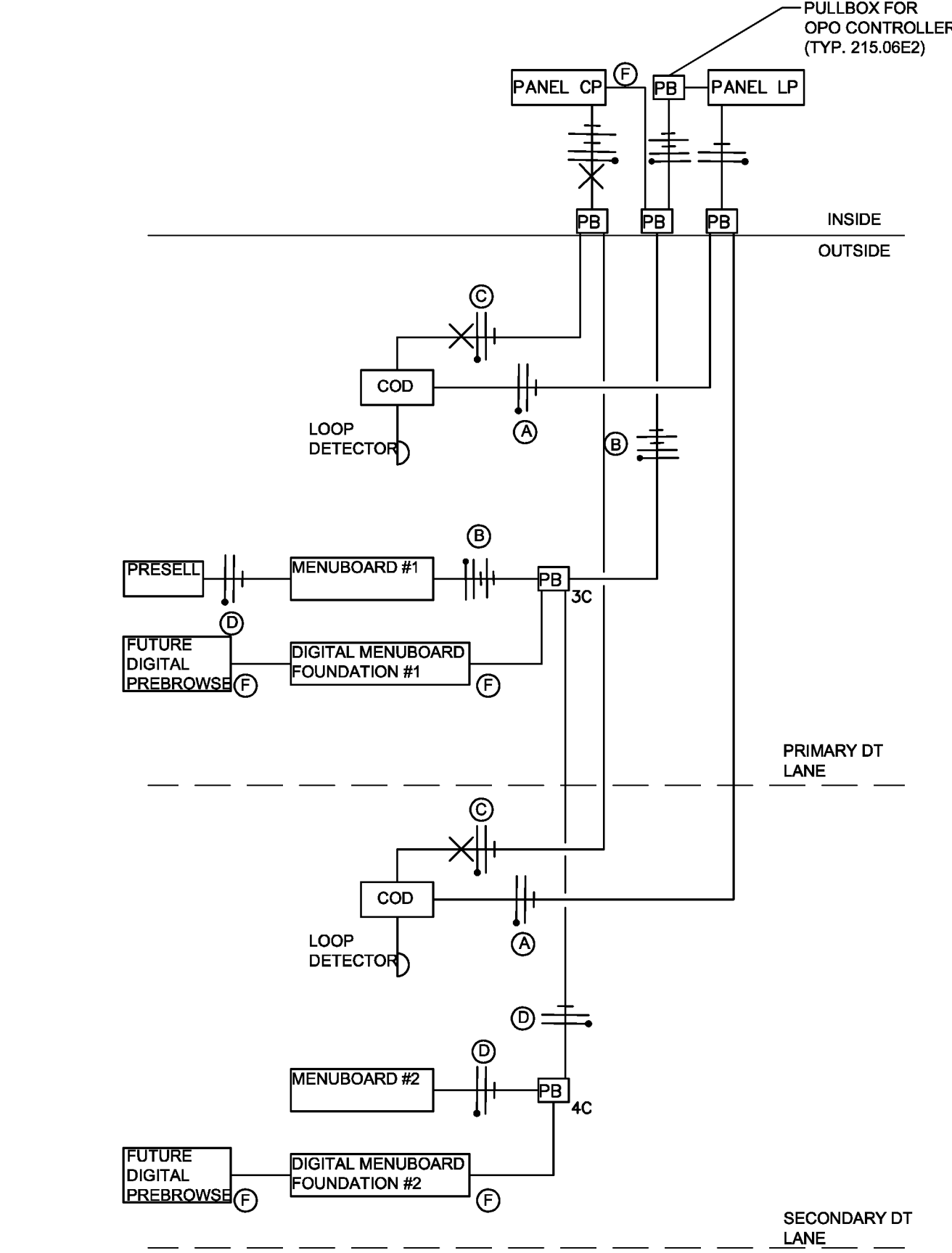
3 DT LOW VOLTAGE CONDUIT DIAGRAM (OPTION 2.0A)
E-DT NOT TO SCALE



4 DT POWER DIAGRAM (OPTION 2.0A)
E-DT NOT TO SCALE



5 DT LOW VOLTAGE CONDUIT DIAGRAM (OPTION 2.0B)
E-DT NOT TO SCALE



6 DT POWER DIAGRAM (OPTION 2.0B)
E-DT NOT TO SCALE

GENERAL NOTES:

- COORDINATE ALL CONDUIT AND CIRCUITING REQUIREMENTS WITH MANUFACTURER'S INSTALL INSTRUCTIONS.
- ALL PULLBOXES/HANDHOLES SHOWN SHALL BE A MINIMUM OF TIER 8 QUAZITITE OR EQUAL.

ELECTRICAL POWER NOTES:

- PROVIDE TWO (2) SPARE 20A/1P BREAKERS WITHIN CP PANEL FOR FUTURE OUTDOOR DIGITAL MENUBOARDS
- MANUFACTURER'S INSTALLATION INSTRUCTIONS FOR TRADITIONAL OPO MENUBOARDS REQUIRES SEPARATE DEDICATED NEUTRALS ARE PROVIDED TO MENU BOARD AND PRESELL BOARD FOR EACH CIRCUIT (PLC AND LIGHTING)

POWER DIAGRAMS TAGS:

- Ⓐ 2#12 & 1#12 GND., TO LP-1 FOR COD CANOPY LIGHTING (TYP. LP-1.23)
- Ⓑ 4#12 & 1#12 GND., 3/4" TO LP-1 FOR OPO MENU BOARD #1 LIGHTING AND PLC (TYP. LP-1.23.25).
- Ⓒ 2#12 & 1#12 GND & 1#12 ISOLATED GND., TO CP FOR ISOLATED GROUND POWER TO COD'S. EACH COD SHALL BE ON ITS OWN SEPARATE CIRCUIT (TYP. CP-14.18).
- Ⓓ 2#12 & 1#12 GND., TO LP-1 FOR OPO MENU BOARD #2 AND PRESELL BOARD LIGHTING (TYP. LP-1.23)
- Ⓔ FUTURE 3/4" CONDUIT FOR FUTURE OUTDOOR DIGITAL MENUBOARD OR PRESELL POWER.
- Ⓕ 3/4" CONDUIT WITH PULL STRINGS FOR FUTURE MENUBOARD OR PRESELL BOARD POWER.

KEY:

- CONDUIT
- - - CONDUIT TO PULLED IN FUTURE (ONCE FOUNDATIONS ARE INSTALLED)
- PB XX PULLBOX
- SUBSCRIPT INDICATES RELATIVE LOCATION. REFER TO ODMB DRAWING.

NO.	DATE	REV	DESCRIPTION	BY

DATE 4-1-16
THIS SHEET HAS BEEN SIGNED, SEALED, AND DATED ELECTRONICALLY.

Farnsworth Group
 20 ALLEN AVENUE, SUITE 200
 ST. LOUIS, MISSOURI 63119
 (314) 962-7907 / (314) 962-1233 fax
 www.fv.com

PREPARED BY: Farnsworth Group, Inc.
 Missouri State Certificate of Authority #001321

© 2011 McDonald's USA, LLC
McDonald's USA, LLC
 These drawings and specifications are the confidential and proprietary information of McDonald's USA, LLC. They are prepared for use on this specific site in conjunction with its issue date and are not to be used for any other project without the express written authorization of McDonald's USA, LLC. Reproduction of these drawings for reference or example on another project requires the services of properly licensed architects and engineers. Reproduction of the contract documents for reuse on another project is not authorized.

DRAWN BY	DATE	ISSUE DATE	REVIEWED BY	DATE ISSUED
FP	JAN 2013	JAN 2013	FP	JAN 2013

TITLE: STANDARD SITE DETAILS
 DESCRIPTION: DIGITAL PLATFORM DETAILS
 DRIVE THRU DETAILS

SHEET NO. **E-DT**
 DRIVE-THRU-DETAILS