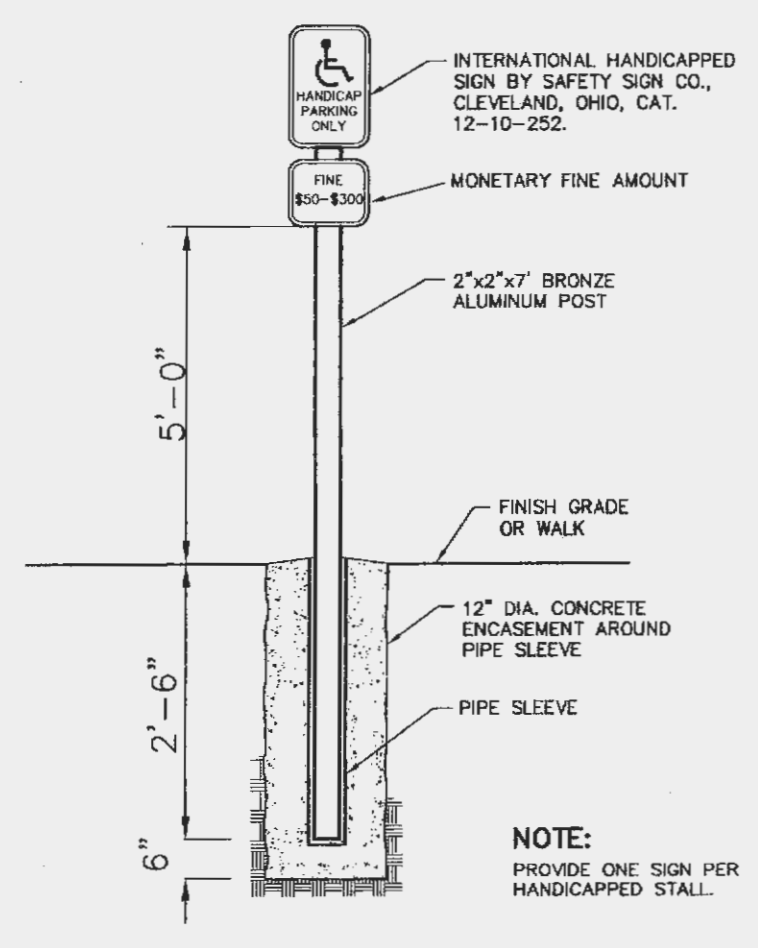




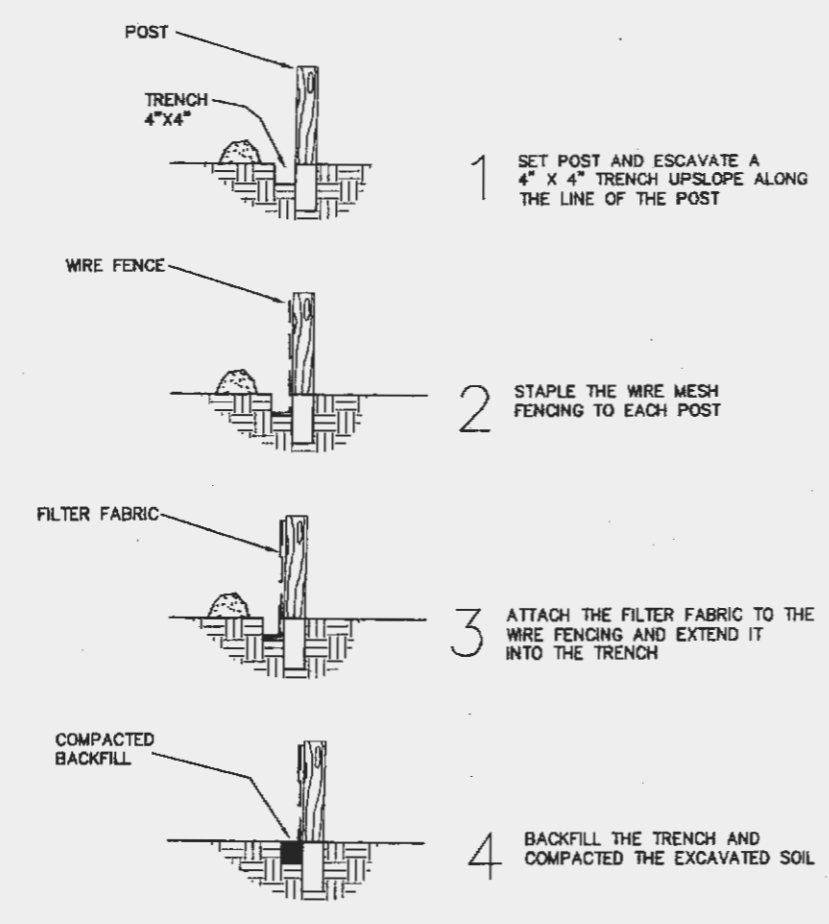
INTERNATIONAL HANDICAPPED SIGN BY SAFETY SIGN CO., CLEVELAND OHIO, CAT. 12-10-252.

HANDICAP PARKING SIGNS
 NOT TO SCALE



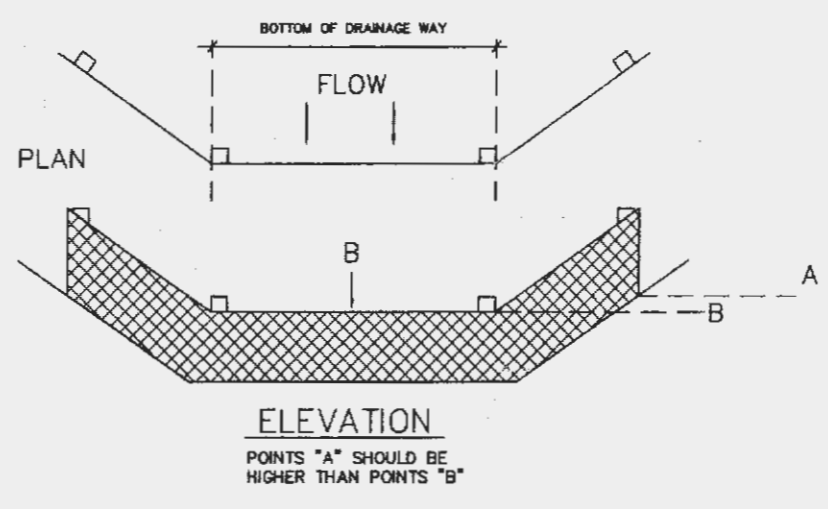
HANDICAPPED PARKING SIGN
 NOT TO SCALE

Install WEBTEC J-2 24" SILT FENCE on posts at 8 foot centers or equivalent product. Install as recommended by manufacturer. If equivalent product is not available, then use installation procedure outlined below.

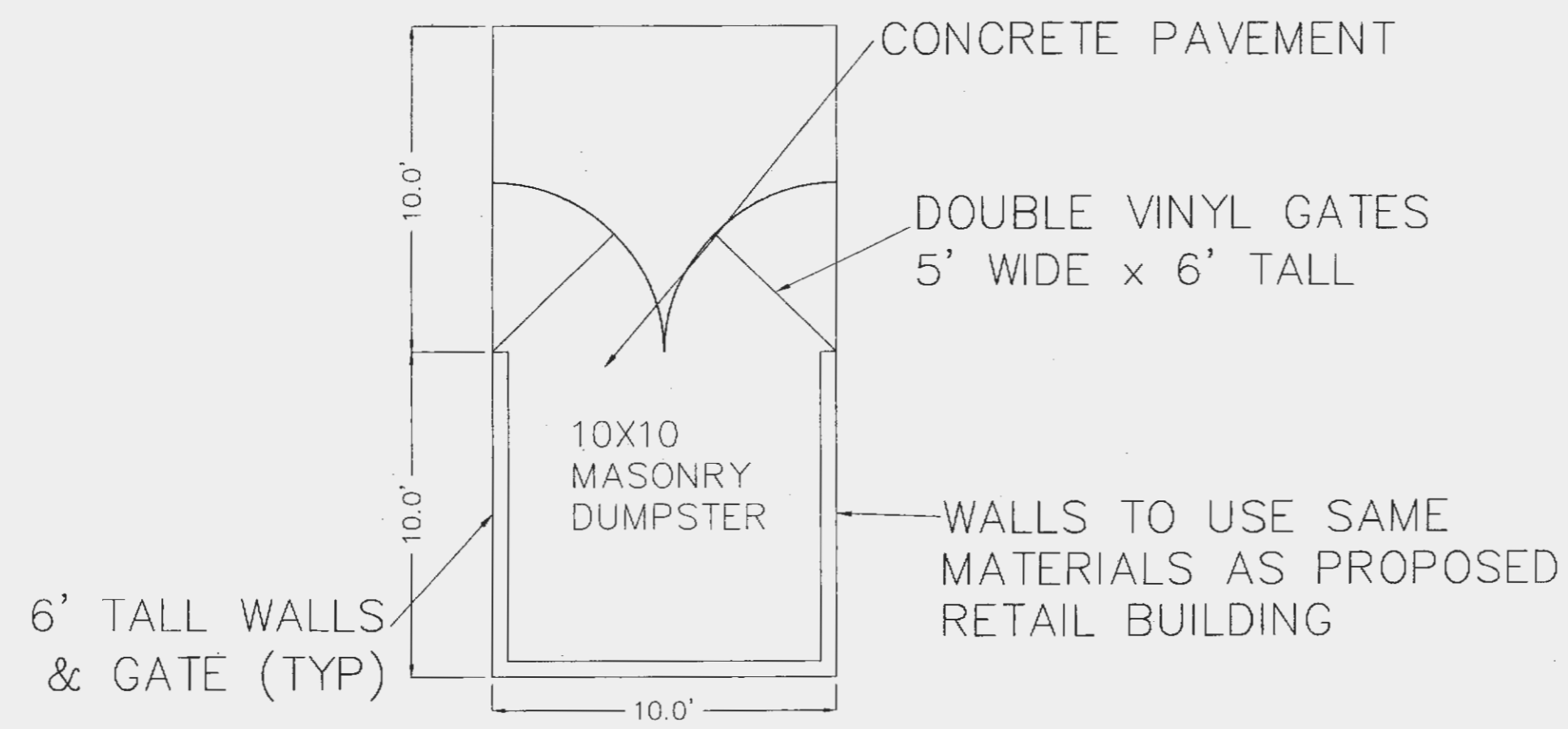


MAINTENANCE

1. FILTER BARRIERS SHALL BE INSPECTED IMMEDIATELY AFTER EACH RAINFALL AND AT LEAST DAILY DURING PROLONGED RAINFALL. ANY REQUIRED REPAIRS SHALL BE MADE IMMEDIATELY.
2. SHOULD THE FABRIC DECOMPOSE OR BECOME INEFFECTIVE PRIOR TO THE END OF THE EXPECTED USABLE LIFE AND THE BARRIER STILL BE NECESSARY, THE FABRIC SHALL BE REPLACED PROMPTLY.
3. SEDIMENT DEPOSITS SHOULD BE REMOVED AFTER EACH STORM EVENT. THEY MUST BE REMOVED WHEN DEPOSITS REACH APPROXIMATELY HALF THE HEIGHT OF THE BARRIER.
4. ANY SEDIMENT DEPOSITS REMAINING IN PLACE AFTER THE SILT FENCE OR FILTER BARRIER IS NO LONGER REQUIRED SHALL BE DRESSED TO CONFORM WITH THE EXISTING GRADE, PREPARED AND SEEDED.



**SYNTHETIC FILTER BARRIER
 ALTERNATE SILTATION CONTROL**
 NOT TO SCALE



**10 X 20
 CONCRETE PAD
 DUMPSTER ENCLOSURE DETAIL**
 NOT TO SCALE

VEGETATIVE ESTABLISHMENT

SEEDING NOTES

PERMANENT:
 TALL FESCUE - 30LBS./AC.
 SMOOTH BROME - 20 LBS./AC.
 COMBINED - FESCUE @ 15 LBS./AC. AND BROME @ 10LBS./AC.

TEMPORARY:
 WHEAT OR RYE - 150 LBS./AC. (3.5 LBS./1,000 SQ. FT.)
 OATS - 120 LBS./AC. (2.75 LBS./1,000 SQ. FT.)

SEEDING PERIODS:
 FESCUE OR BROME; MARCH 1 TO JUNE 1
 AUGUST 1 TO OCTOBER 1
 WHEAT OR RYE; MARCH 15 TO NOVEMBER 1
 OATS; MARCH 15 TO SEPTEMBER 15

MULCH RATES: 100 LBS./1,000 SQ. FT. (4356 LBS./AC.)

FERTILIZER RATES:
 NITROGEN 30 LBS./AC.
 PHOSPHATE 30 LBS./AC.
 POTASSIUM 30 LBS./AC.
 LIME 600 LBS./AC. ENM*

*ENM = EFFECTIVE NEUTRALIZING MATERIAL PER STATE EVALUATION OF QUARRIED ROCK.

GENERAL:
 SEEDING RATE 30# TALL FESCUE PER ACRE
 MULCHING RATE 100# PER 1,000 SQ. FT.
 FERTILIZER 30#/ACRE NITROGEN
 30#/ACRE PHOSPHATE
 30#/ACRE POTASSIUM
 600#/ACRE ENM

1. WHEN GRADING OPERATION IS COMPLETE, THE SITE WILL BE SEEDED, FERTILIZED, LIMED, MULCHED AND TACKED AS PER ABOVE RATE.
 2. WHEN GRADING OPERATIONS ARE CEASED FOR 14 DAYS OR MORE, ALL DISTURBED AREAS WILL BE SEEDED TO WHEAT AT THE RATE OF 90# PER ACRE.

(FOR PROJECTS WITH BASINS, EROSION ISSUES OR STREAMS)

3. DIVERSION AND SEDIMENT DAM: UPON COMPLETION OF THE DAM AND DIVERSION, THEY WILL BE SEEDED, FERTILIZED, LIMED, MULCHED AND TACKED AND WHEAT WILL BE SOWN AT THE RATE OF 60# PER ACRE.

4. WATERWAY: A GEOTEXTILE STRAW NETTING WILL LINE THE BOTTOM AND SIDESLOPES OF THE WATERWAY. SEEDING WILL BE ACCORDING TO RATES DESCRIBED UNDER THE "GENERAL" HEADING.

5. VEGETATIVE FILTER: REED CANARY-GRASS WILL BE SEEDED FOR A FILTER ALONG THE WATERLINE OF THE POND. THE STRIP WILL BE 50 FEET WIDE AT 24# PER ACRE.

Huntco SUPPLY, LLC
 P.O. BOX 10385
 PORTLAND, OREGON 97296-0385
 1-800-547-3878
 PHONE: (503) 224-8700
 FAX: (503) 274-2055
 www.huntco.com

SELECT DESIRED BIKE RACK

MODEL	CAPACITY	LENGTH	HEIGHT	WIDTH
YS7	7	10'(3048MM)	38"(965MM)	20"(508MM)
YS11	11	15'(4572MM)	38"(965MM)	20"(508MM)

DOUBLE FACE

MODEL	CAPACITY	LENGTH	HEIGHT	WIDTH
YS8	8	10'(3048MM)	38"(965MM)	42"(1066MM)
YS18	18	10'(3048MM)	38"(965MM)	42"(1066MM)
YS36	36	20'(6096MM)	38"(965MM)	42"(1066MM)

SELECT DESIRED FINISH
 NOT-DIPPED GALVANNEZED
 POWDER COAT FINISH (SELECT COLOR)
 THERMO PLASTIC COATING (SELECT COLOR)
 STAINLESS STEEL

SELECT DESIRED POWDER COAT FINISH COLOR
 CRISTAL BLUE-RAL 5020
 ROYAL BLUE-RAL 5010
 FOREST GREEN-RAL 6003
 YELLOW-RAL 1018
 BRIGHT RED-RAL 3003
 MAROON-RAL 3007

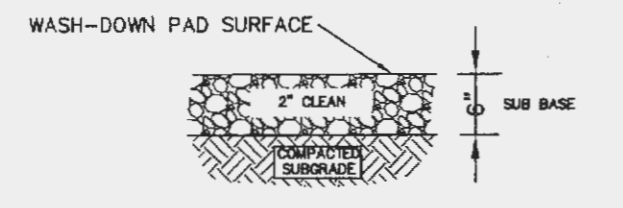
SELECT DESIRED THERMO PLASTIC COATING COLOR
 BLACK
 DARK GRAY
 LIGHT GRAY
 ROYAL BLUE
 SKY BLUE
 RED
 YELLOW
 WHITE
 DARK BROWN
 MARLED GREEN
 CUSTOM

NOTES:
 1. INSTALLATION TO BE COMPLETED IN ACCORDANCE WITH MANUFACTURER'S SPECIFICATIONS.
 2. DO NOT SCALE DIMENSIONS.
 3. CONTRACTOR NOTE FOR PRODUCT AND PURCHASING INFORMATION VISIT www.PROJECTmarketplace.com REFERENCE NUMBER 099-008.

OLD SCHOOL BIKE RACKS
 VERTICAL SERIES - SINGLE AND DOUBLE FACE

PROTECTED BY COPYRIGHT - 006-008 07/25/03 www.caddetail.com

BICYCLE RACK DETAIL
 OR APPROVED EQUAL
 NOT TO SCALE

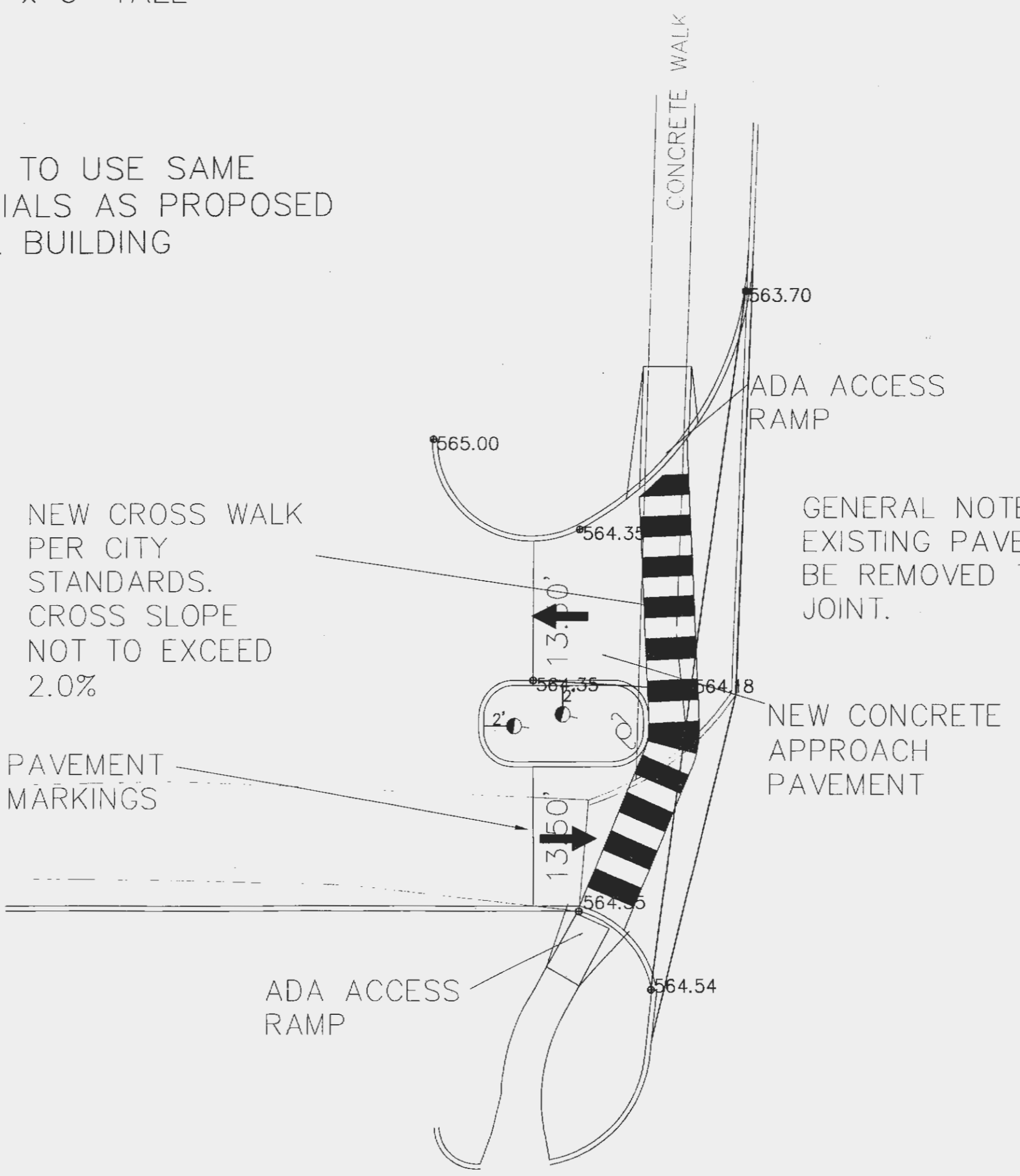


1. CONTRACTOR TO PROVIDE TEMPORARY 20'x40' GRAVEL WASH-DOWN PAD.
2. PAD TO BE 6 INCH DEEP OF 2 INCH DIAMETER CLEAN ROCK.
3. WHEN PARKING LOT IS READY FOR CONSTRUCTION, MUD AND SILT TO BE REMOVED AND ADDITIONAL ROCK TO BE ADDED TO ACHIEVE REQUIRED GRADE FOR PAVING.

WASH-DOWN PAD DETAIL
 NOT TO SCALE

NEW CROSS WALK PER CITY STANDARDS. CROSS SLOPE NOT TO EXCEED 2.0%

PAVEMENT MARKINGS



ENTRANCE DETAIL

409 SONDEREN STORM WATER CALCULATIONS.
 100 YEAR STORM
 TOTAL SITE AREA 37,268 SQ.FT.

	AREA SQ.FT.	CFS/AC	CFS
EXISTING IMPERVIOUS	14,672	6.08	2.05
EXISTING PERVIOUS	22,596	2.95	1.53
TOTAL EXISTING			3.58
PROPOSED IMPERVIOUS	17,354	6.08	2.42
PROPOSED PERVIOUS	19,914	2.95	1.35
TOTAL PROPOSED			3.77

INCREASED STORM WATER RUNOFF = 0.19 CFS

ENGINEERS CERTIFICATION:
 The following applies to ALL sheets and documents involved in the preparation of the plans and documents for this project. The responsibility for Professional Engineering liability on this project is limited to the set of plans displaying the signature and an original stamped seal of the Engineer on each sheet. ALL responsibility is Disclaimed: until ALL review agency approvals are granted; for all other plan sheets issued prior to this plan set date; for this set when another set is issued after this date; if the sheets are used individually instead of a set. This applies for ALL sheets and documents involved in this project whether this statement appears on them or not. Copyright. All Rights Reserved.

ZAVRADINOS PROFESSIONAL SERVICES, INC.

STATE OF MISSOURI
 PROFESSIONAL ENGINEER
 ROBERT E. BAXTER
 5/17/05
 DATE

1 4-28-05 CITY COMMENT LETTER 4-21-05 REB

No. Date Description By

Zavradinos Engineering and Surveying
 Engineers Surveyors Planners
 17813 Edison Avenue, Suite 201
 Chesterfield, MO 63005
 636-946-5555

Sheet 5 of 6