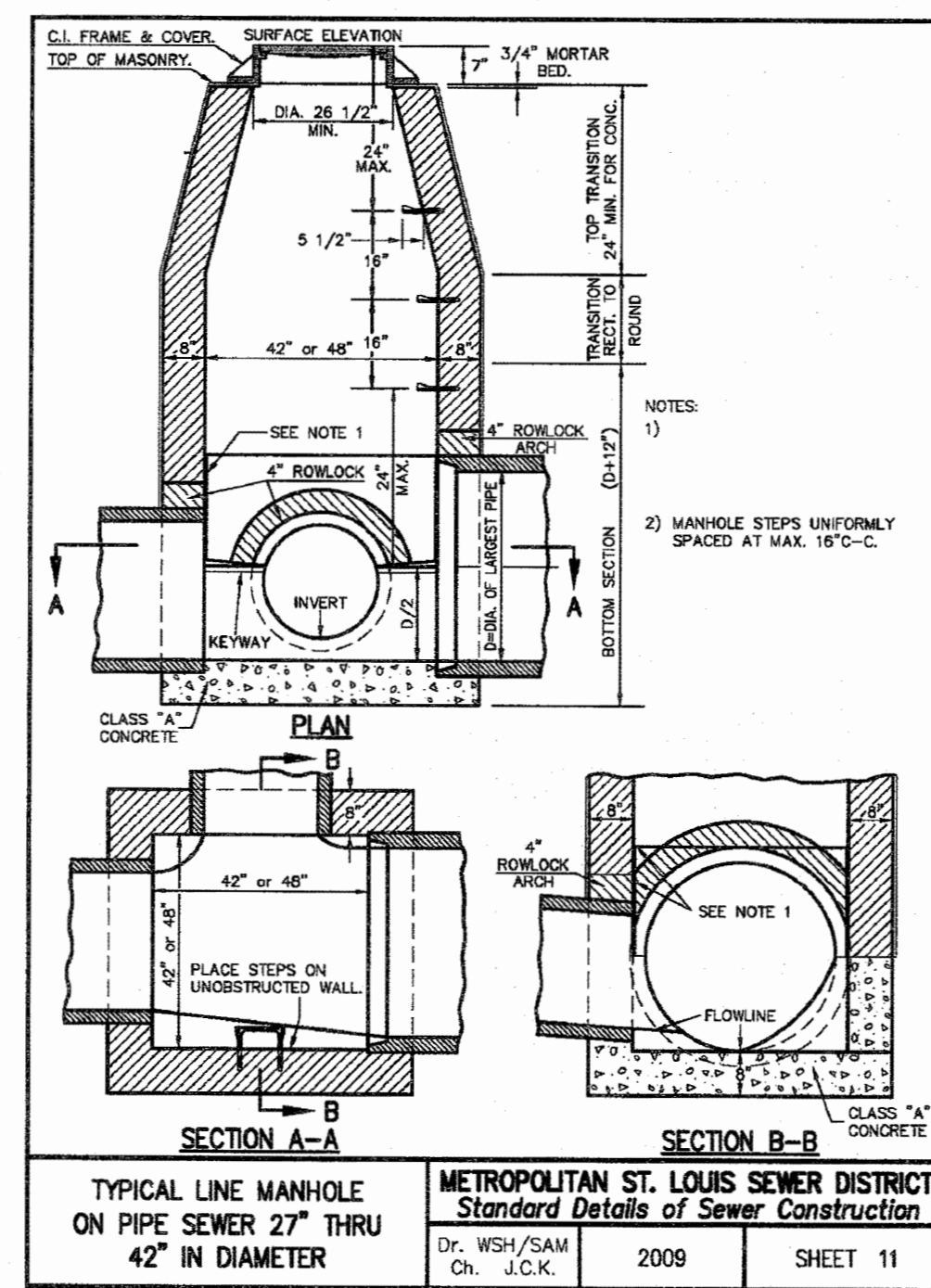


PIPE BEDDING CLASS "C"  
(FOR ALL 6" TO 18" PIPE EXCEPT  
REINFORCED CONCRETE PIPE)

METROPOLITAN ST. LOUIS SEWER DISTRICT  
Standard Details of Sewer Construction

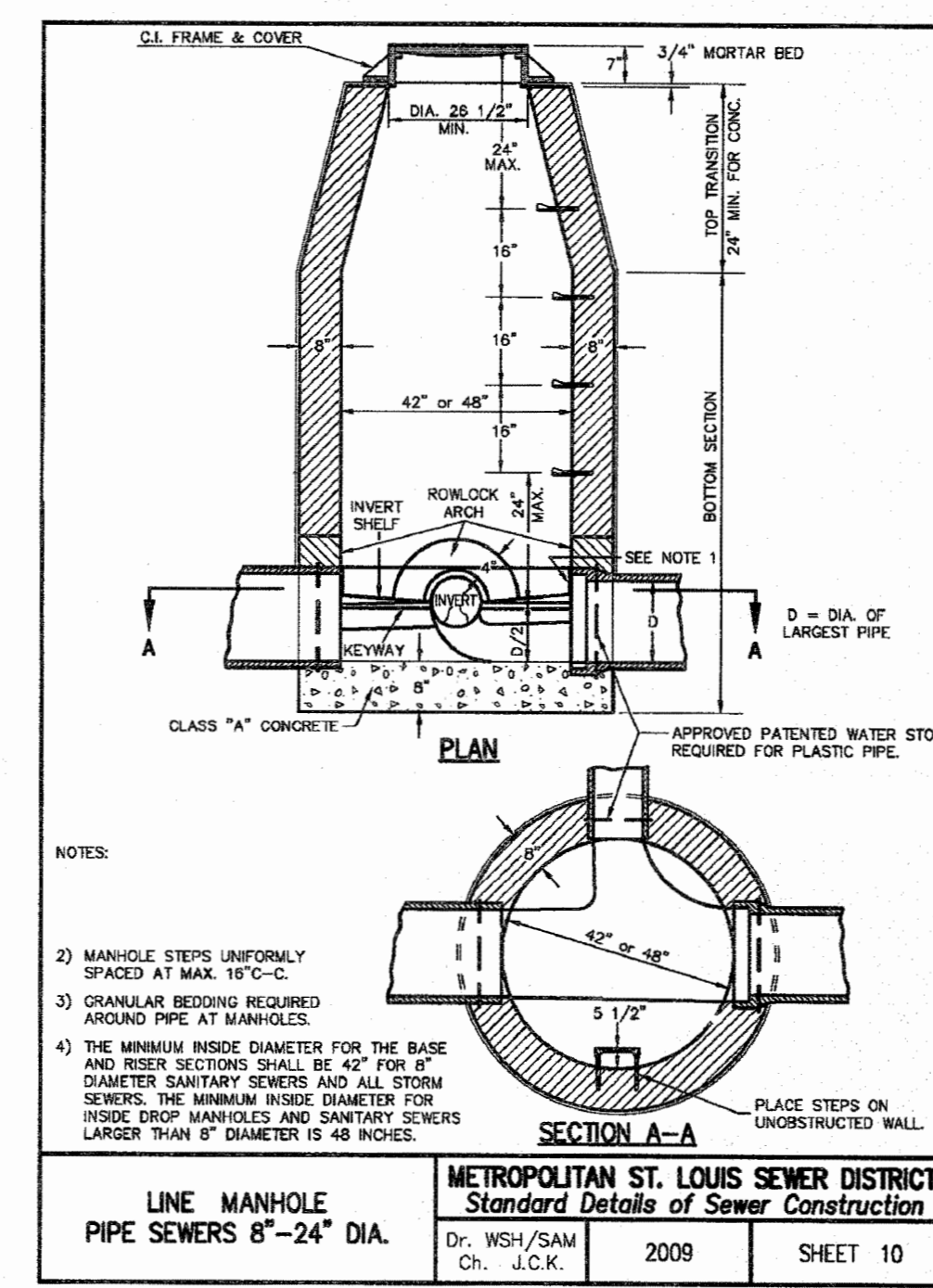
Dr. W.S.H./SAM  
Ch. J.C.K. 2009 SHEET 4



TYPICAL LINE MANHOLE  
ON PIPE SEWER 27" THRU  
42" IN DIAMETER

METROPOLITAN ST. LOUIS SEWER DISTRICT  
Standard Details of Sewer Construction

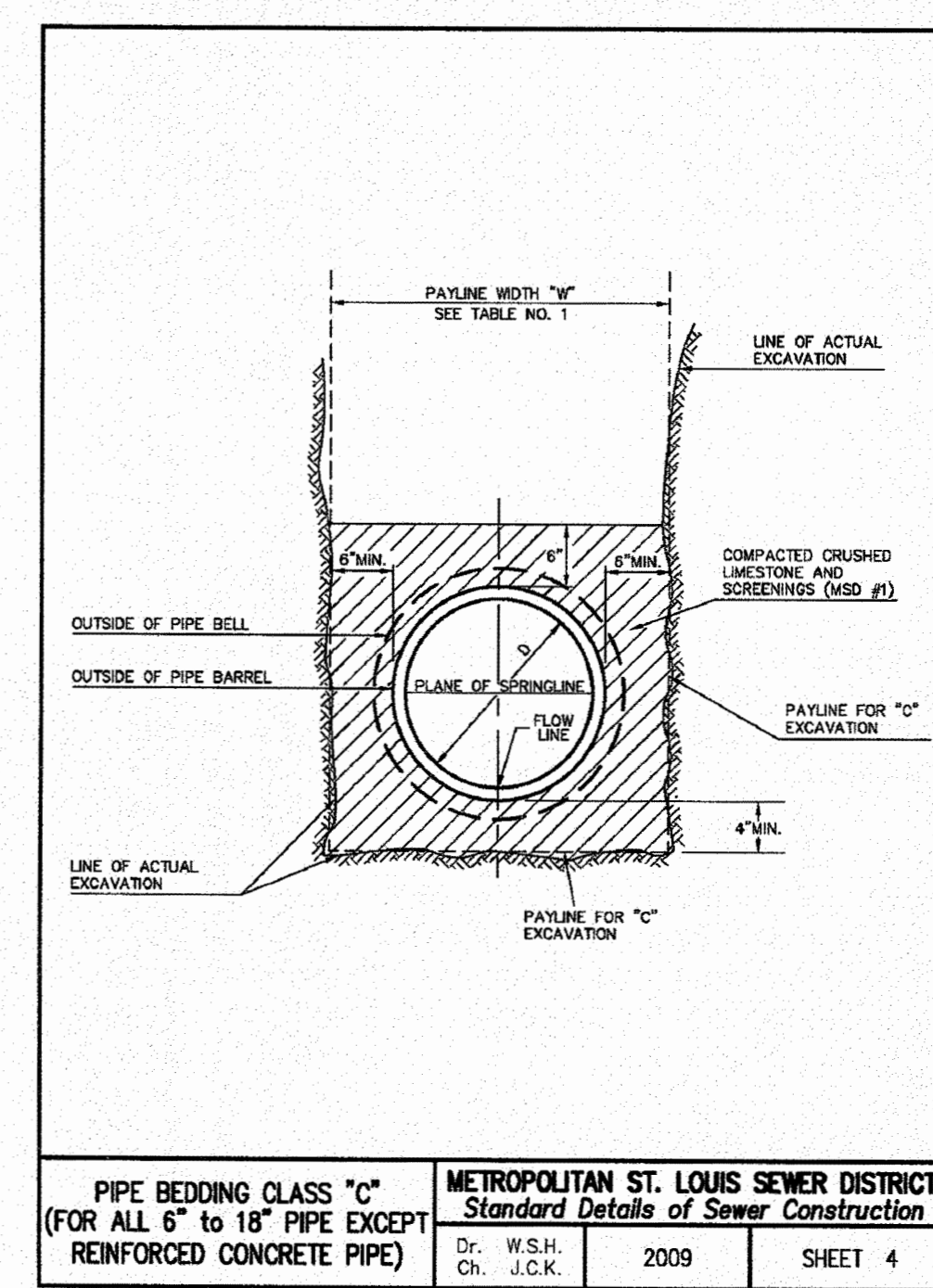
Dr. W.S.H./SAM  
Ch. J.C.K. 2009 SHEET 11



LINE MANHOLE  
PIPE SEWERS 8" - 24" DIA.

METROPOLITAN ST. LOUIS SEWER DISTRICT  
Standard Details of Sewer Construction

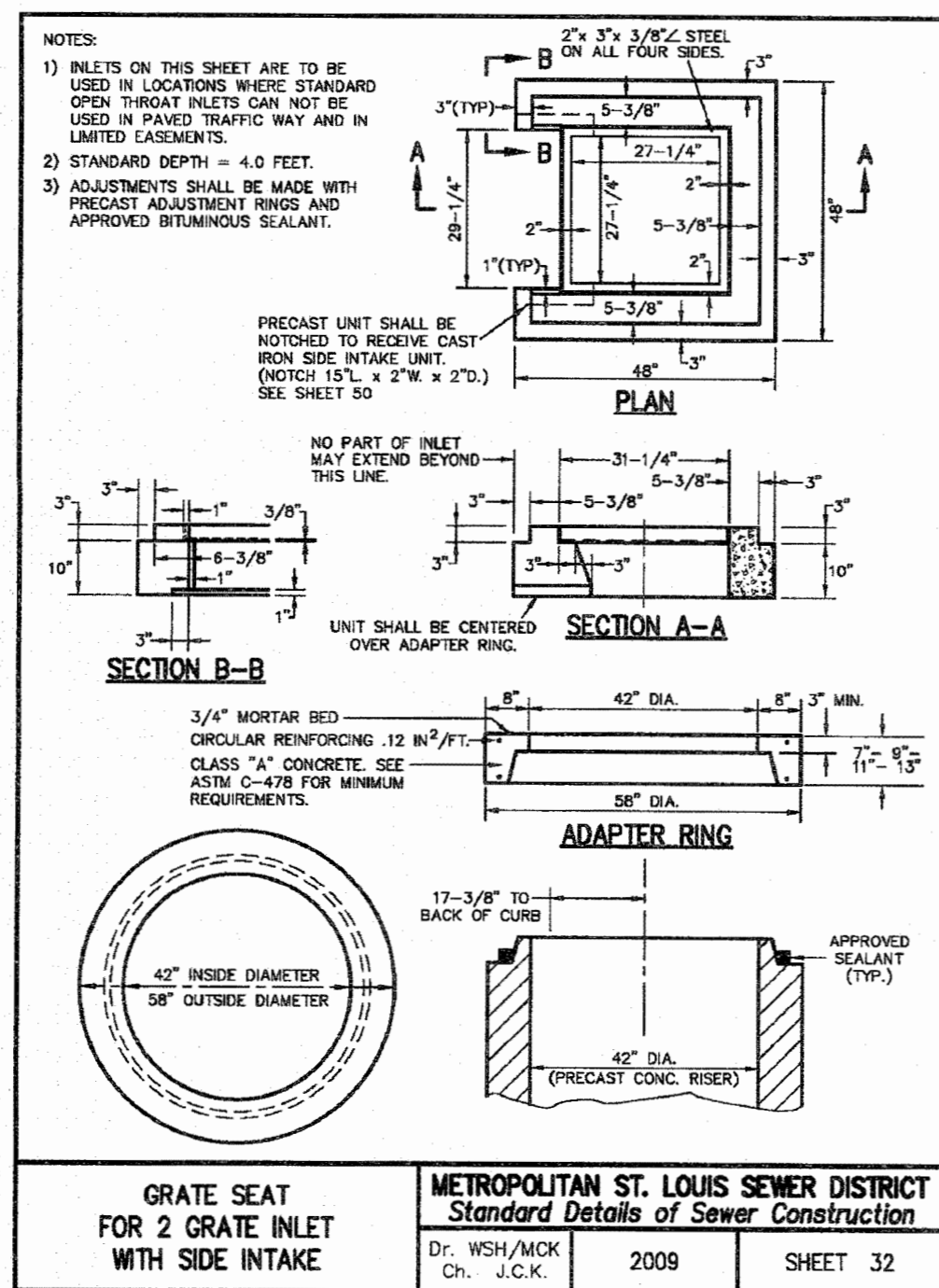
Dr. W.S.H./SAM  
Ch. J.C.K. 2009 SHEET 10



PIPE BEDDING CLASS "C"  
(FOR ALL 6" TO 18" PIPE EXCEPT  
REINFORCED CONCRETE PIPE)

METROPOLITAN ST. LOUIS SEWER DISTRICT  
Standard Details of Sewer Construction

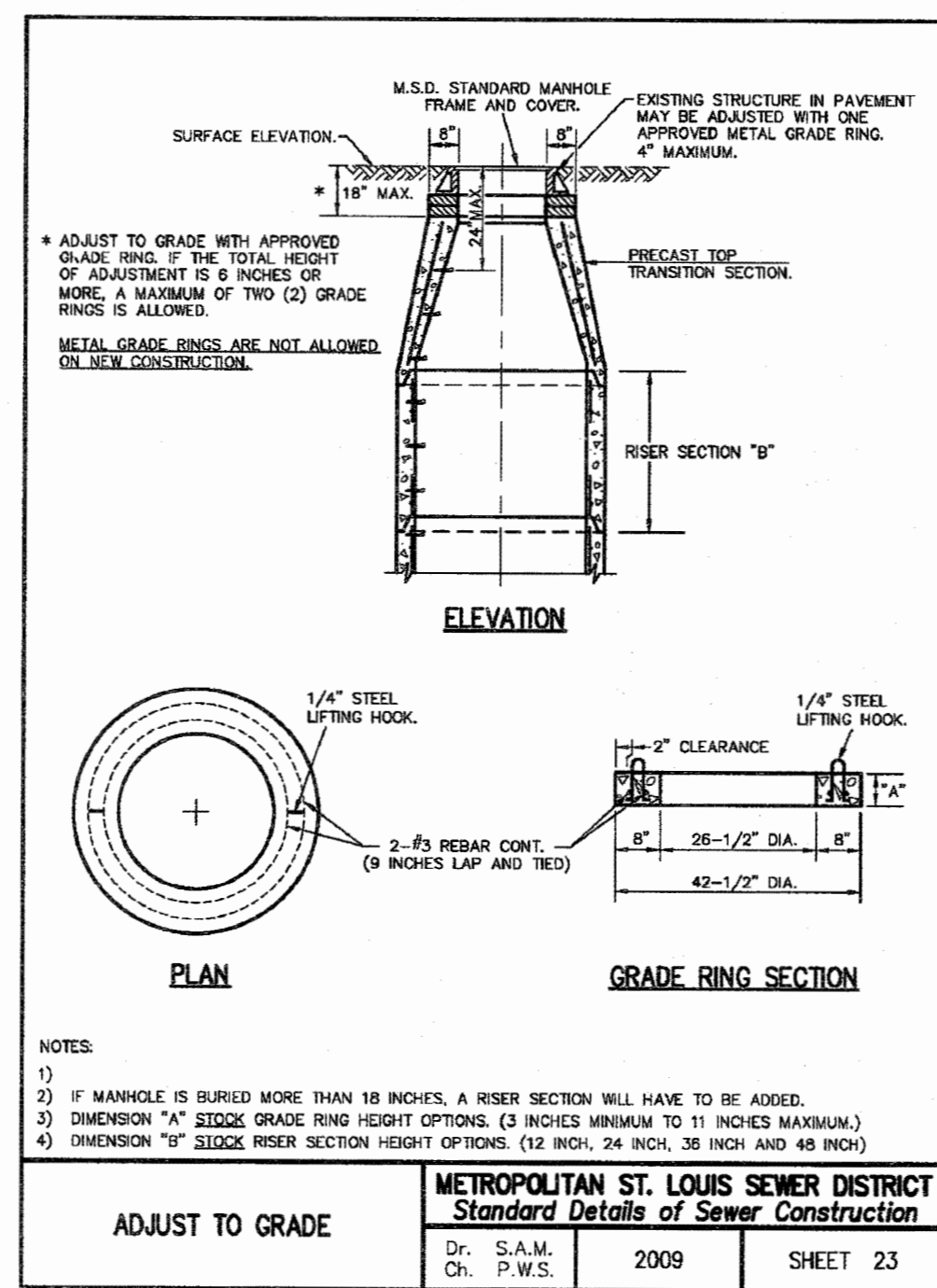
Dr. W.S.H./SAM  
Ch. J.C.K. 2009 SHEET 4



GRATE SEAT  
FOR 2 GRATE INLET  
WITH SIDE INTAKE

METROPOLITAN ST. LOUIS SEWER DISTRICT  
Standard Details of Sewer Construction

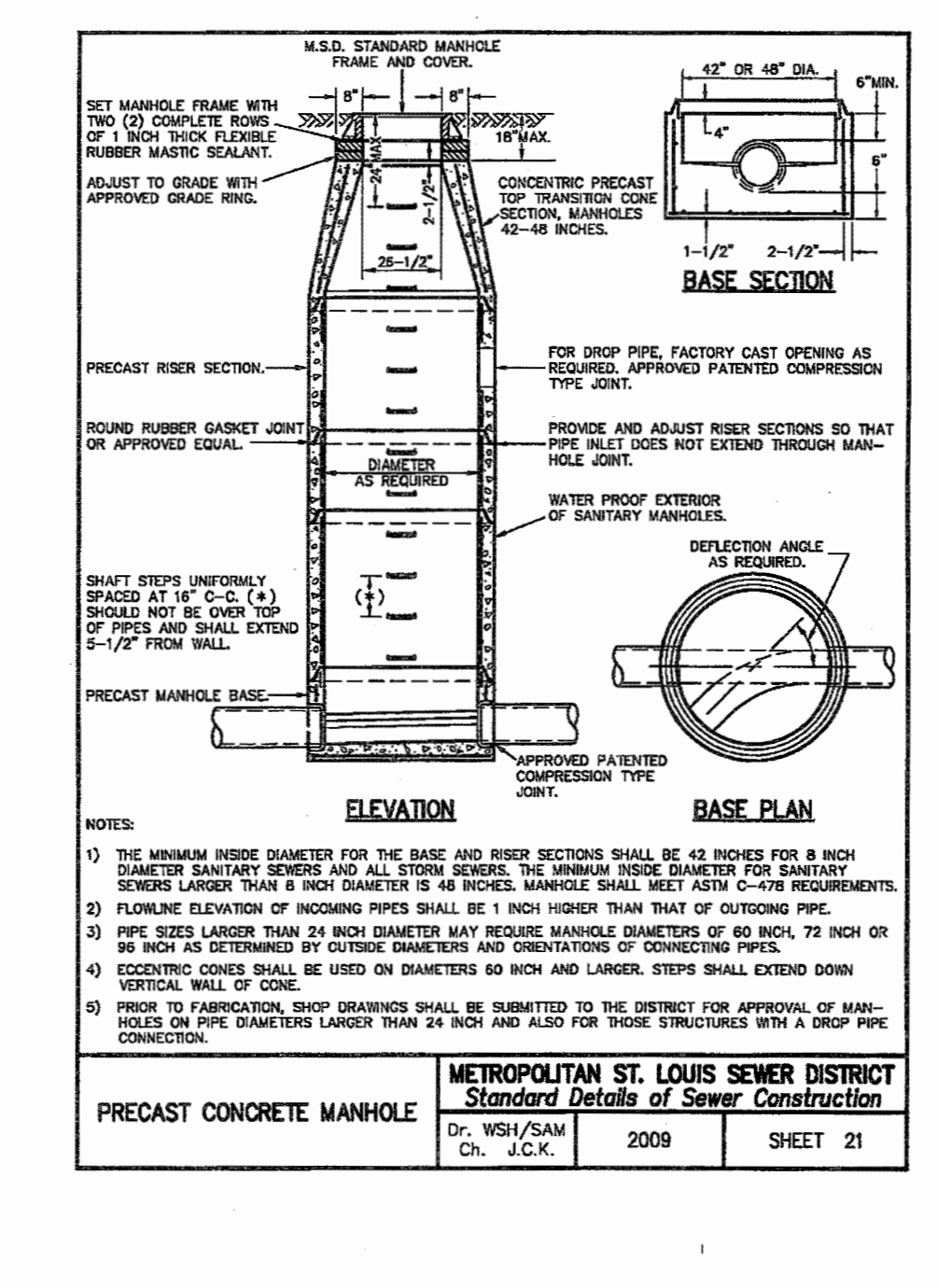
Dr. W.S.H./MCK  
Ch. J.C.K. 2009 SHEET 32



ADJUST TO GRADE

METROPOLITAN ST. LOUIS SEWER DISTRICT  
Standard Details of Sewer Construction

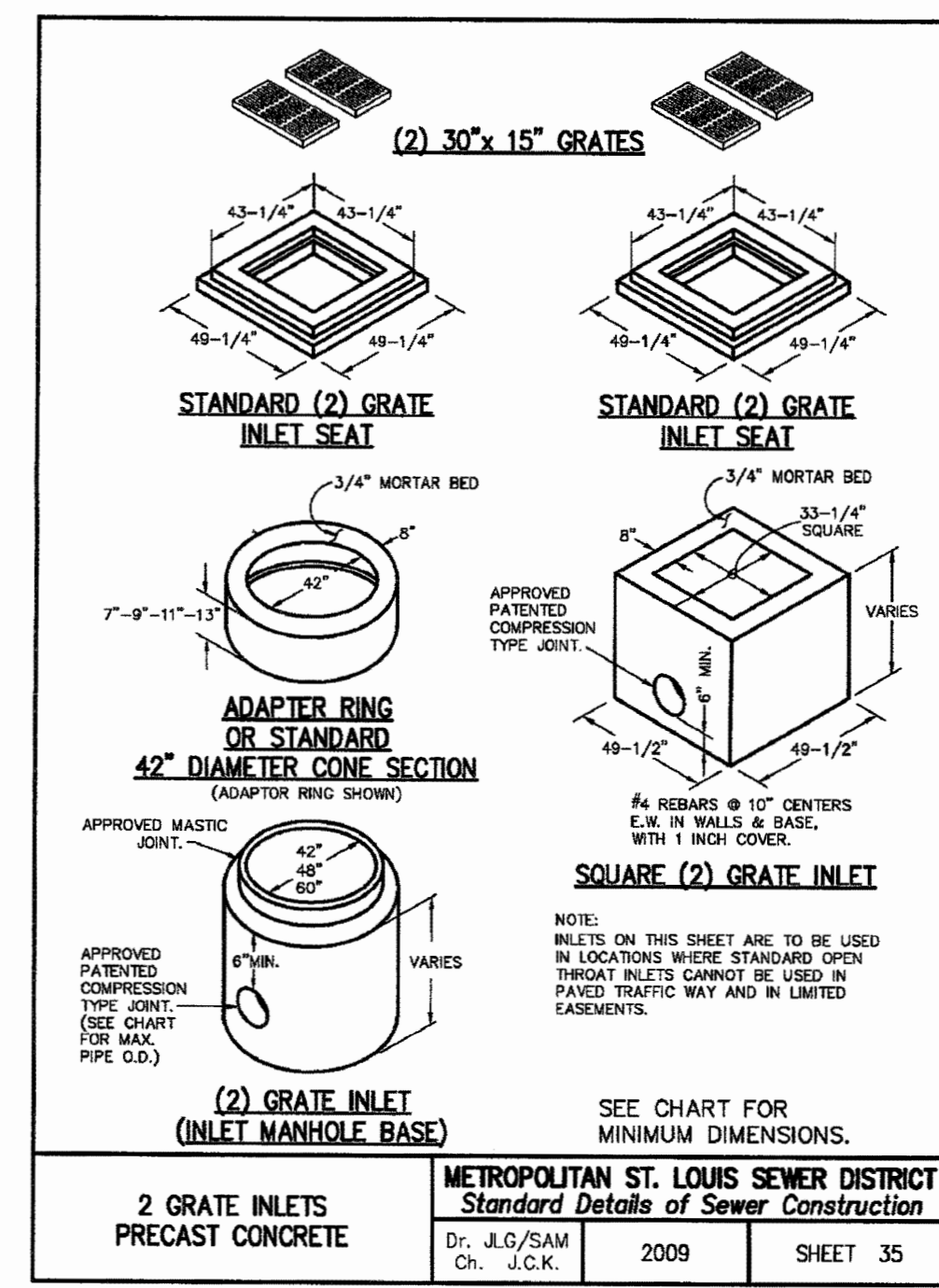
Dr. S.A.M./P.W.S.  
Ch. J.C.K. 2009 SHEET 23



PRECAST CONCRETE MANHOLE

METROPOLITAN ST. LOUIS SEWER DISTRICT  
Standard Details of Sewer Construction

Dr. W.S.H./SAM  
Ch. J.C.K. 2009 SHEET 21



2 GRATE INLETS  
PRECAST CONCRETE

METROPOLITAN ST. LOUIS SEWER DISTRICT  
Standard Details of Sewer Construction

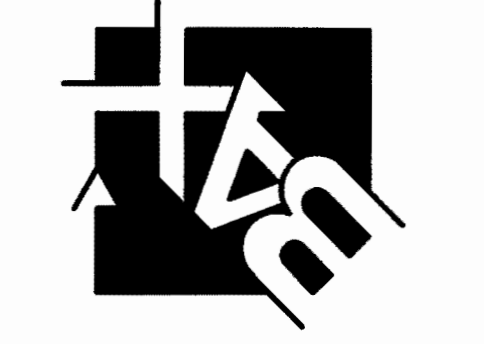
Dr. J.C.G./SAM  
Ch. J.C.K. 2009 SHEET 35

5/8" TRASH BAR SHALL BE CENTERED WITHIN THE OPENINGS OF ALL INLETS.

PROJECT TITLE:  
TAUC PROPERTIES  
OF FALLON MAIN  
507 S. MAIN ST.

ENGINEERING  
PLANNING  
SURVEYING

221 Point West Blvd.  
St. Charles, MO 63301  
636-928-5552  
FAX 636-928-1718



DISCLAIMER OF RESPONSIBILITY  
I hereby specify that the documents intended to be  
authentic and true and are limited to this sheet,  
and I hereby disclaim any responsibility for all other  
Drawings, Specifications, Estimates, Reports or other  
documents or instruments relating to or intended to  
be used for any part or parts of the architectural or  
engineering project or survey.

REFERENCE  
DRAWINGS  
ONLY

REVISIONS

NO.	DATE	COMMENTS FROM CITY
12-28-16		

Developer / Owner:  
DR. MATT BRUCKEL  
TAUC PROPERTIES LLC  
9556 MANCHESTER ROAD  
ST. LOUIS, MO 63119

SANITARY AND STORM  
DETAILS

P+Z No.  
19-16 (approved 7-7-16)

City No.  
16-000028

Page No.  
11 of 19

Box Project # 95-6396A Issue Date: 8-14-16