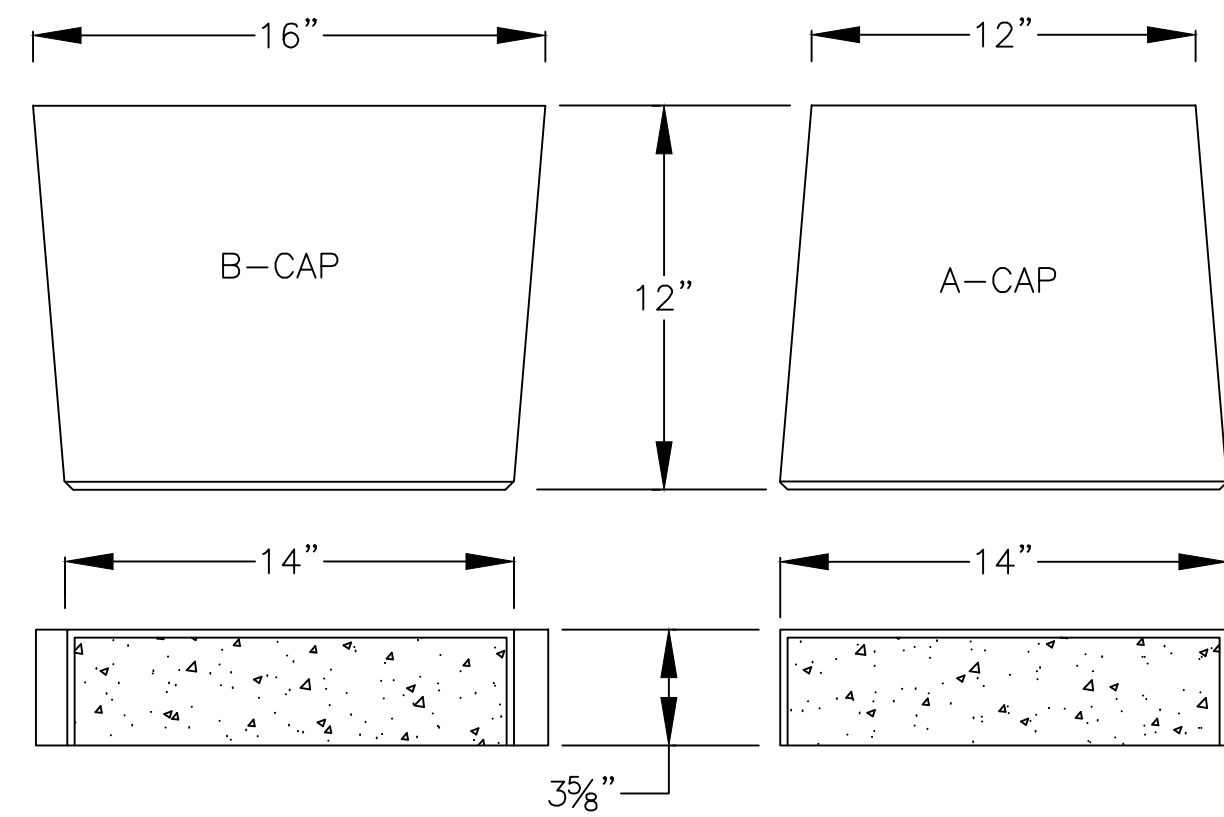
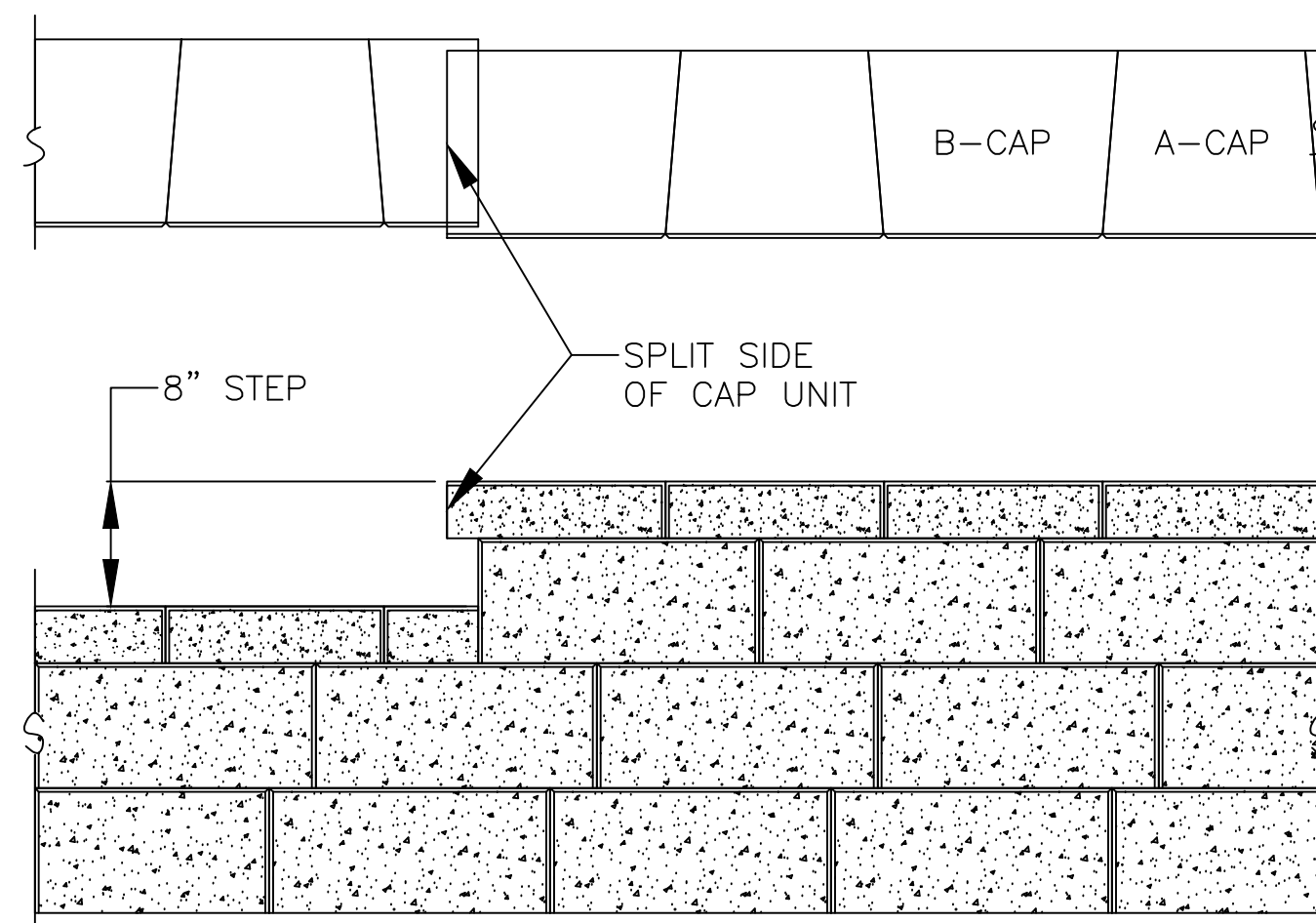


**VERSA-LOK SQUARE FOOT UNIT**  
UNIT DIMENSIONS  
SCALE: NONE

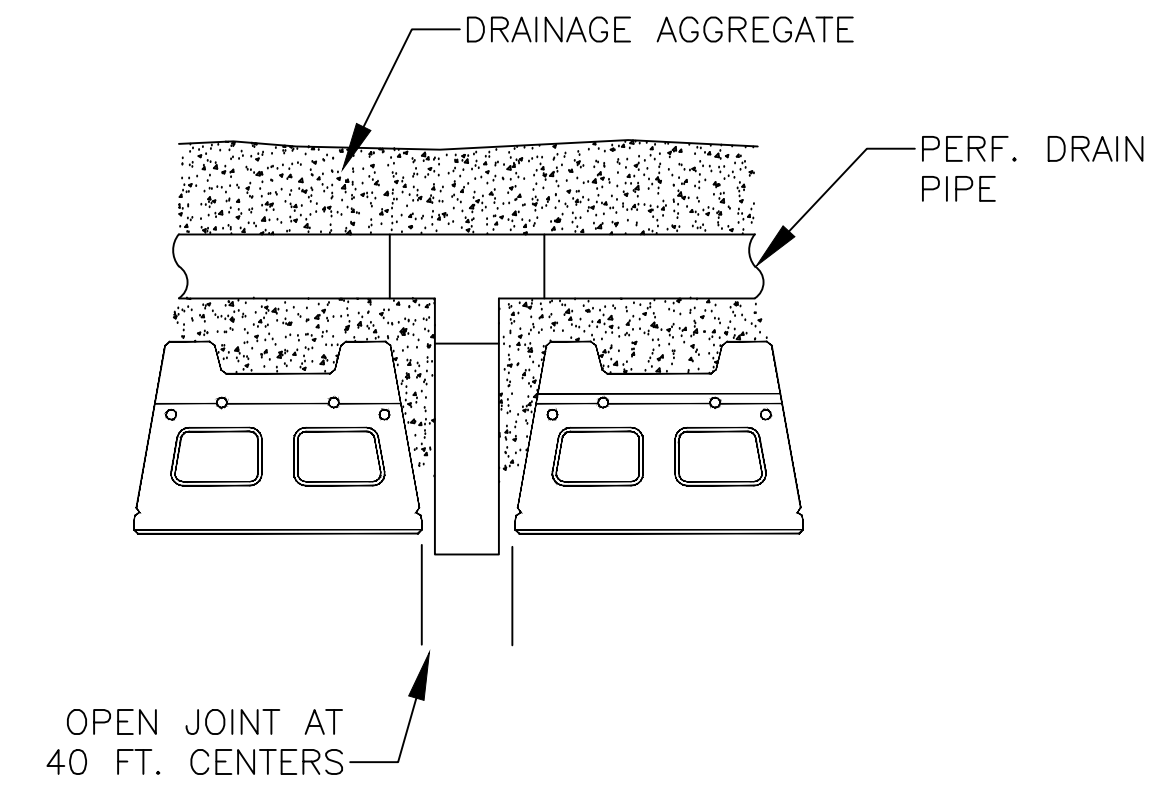


**VERSA-LOK CAP UNITS**  
UNIT DIMENSIONS  
SCALE: NONE

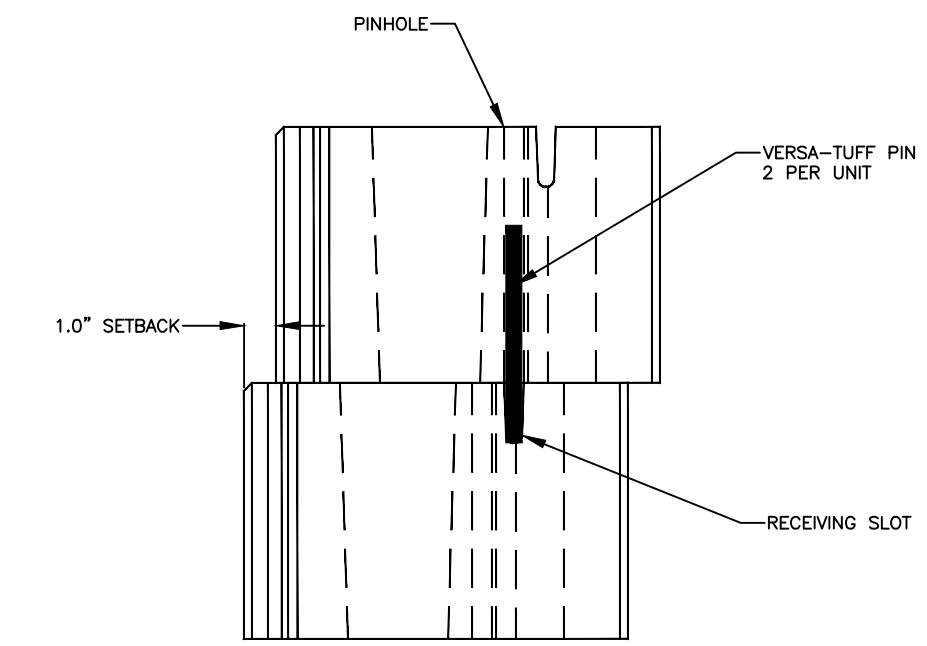
FOR STRAIGHT WALLS, ALTERNATE A-CAP AND B-CAP



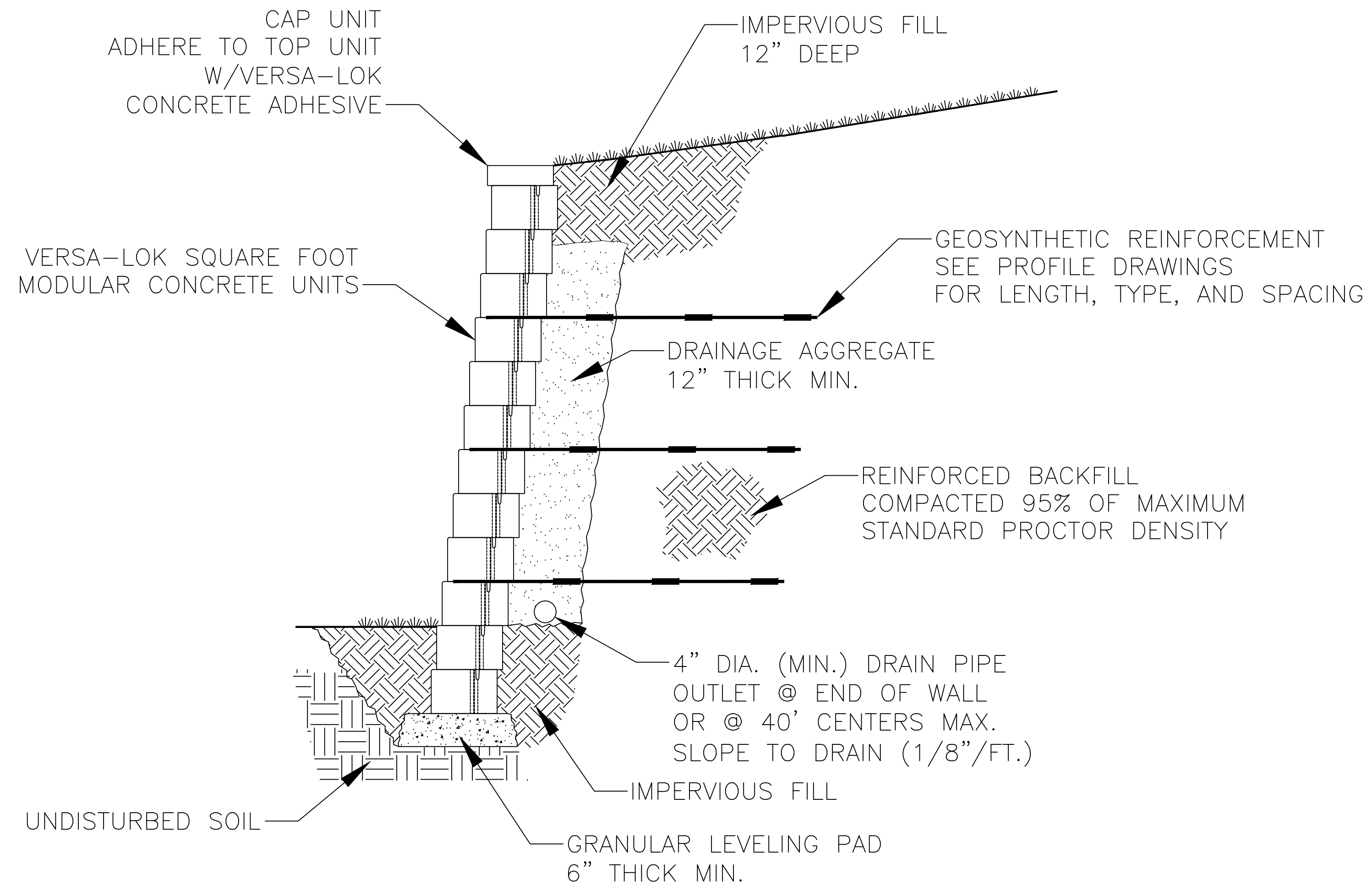
**CAPPING DETAIL-PROFILE**  
SQUARE FOOT UNIT-STEP AT TOP OF WALL  
SCALE: NONE



**DRAIN DETAIL**  
SQUARE FOOT UNIT  
SCALE: NONE



**PINNING DETAIL**  
SQUARE FOOT UNIT-CROSS SECTION  
SCALE: NONE



**TYPICAL SECTION-REINFORCED RETAINING WALL**  
SQUARE FOOT MODULAR CONCRETE UNIT  
SCALE: NONE

#	DESCRIPTION	DATE
1	CONSTRUCTION DOCUMENTS ISSUED FOR REVIEW	10-27-2022



DWN. BY: JDEB  
 CDD. BY: SWB  
 APPD. BY: SWB  
 DATE: 10/21/2022  
 SCALE: AS SHOWN  
 © 2022, T&A Associates, Inc.  
 All rights reserved. No part of this drawing may be reproduced or transmitted in any form or by any means, electronic or mechanical, including photocopying, recording, or by any information storage and retrieval system, without the written approval of the engineer.

PROJECT:	7 BREW COFFEE - ON SITE RETAINING WALL
LOCATION:	CITY OF OFFALLOM, ST. CHARLES COUNTY, MISSOURI 6336
CLIENT:	CITY OF OFFALLOM
TITLE:	SECTIONS AND DETAILS