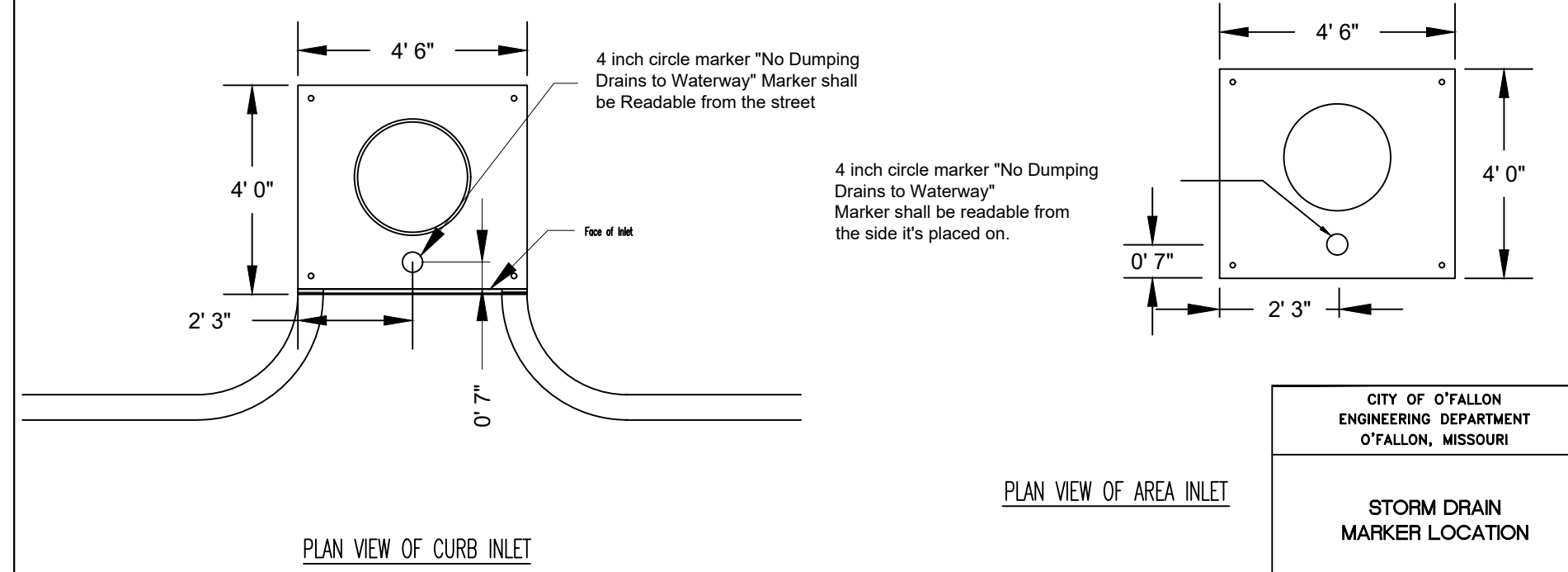


* The City of O'Fallon must be provided with a symbol/medallion for review and approval prior to installation. Contact the City if any information is needed.

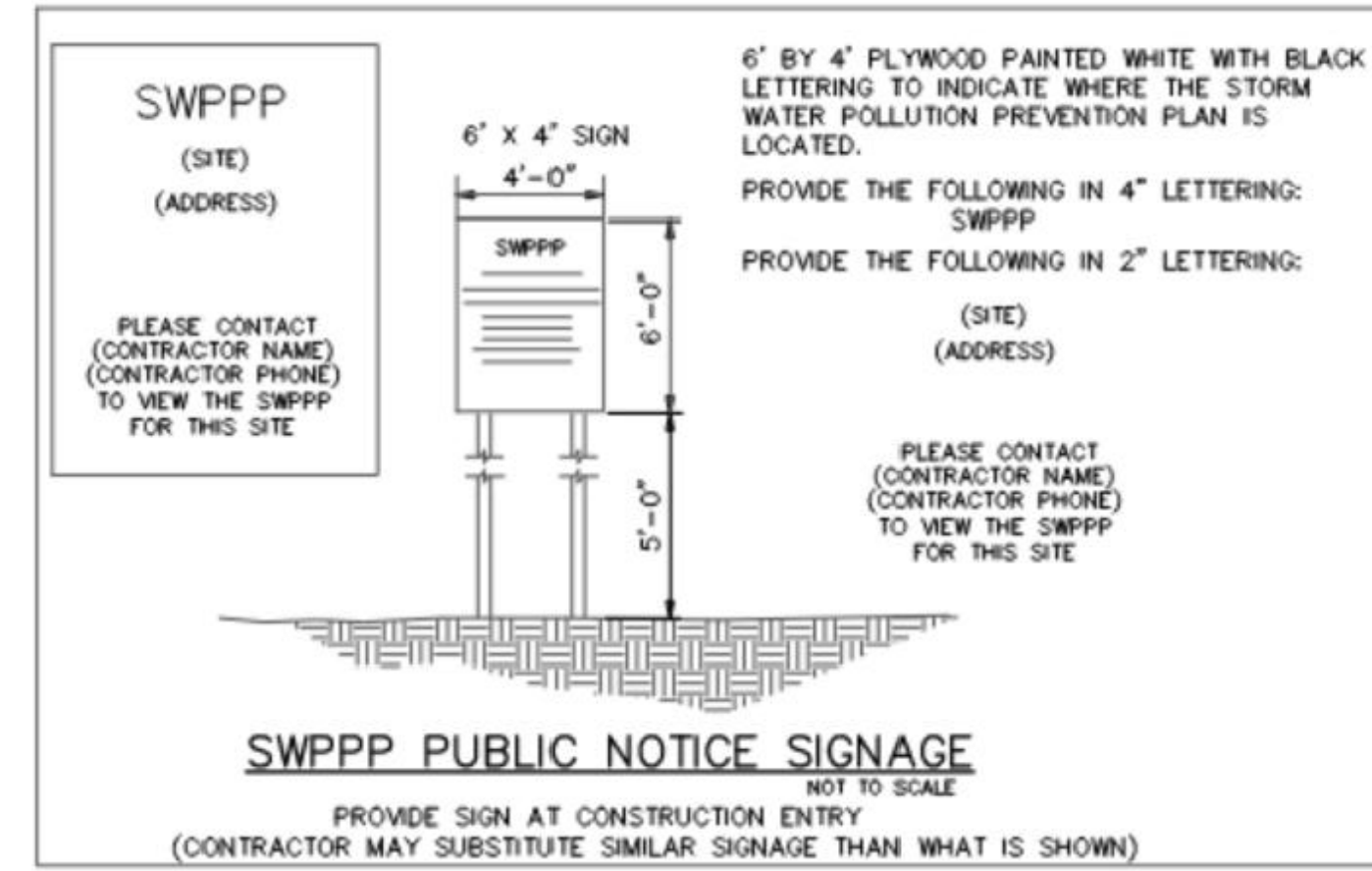
Size	Style	Adhesive	Message (Part #)
3 7/8" TO 4"	Crystal Cap or Standard Style	Epoxy	No Dumping Drains to Waterway

City will also allow the precast inlet stone with a similar message as an approved alternate to the marker.

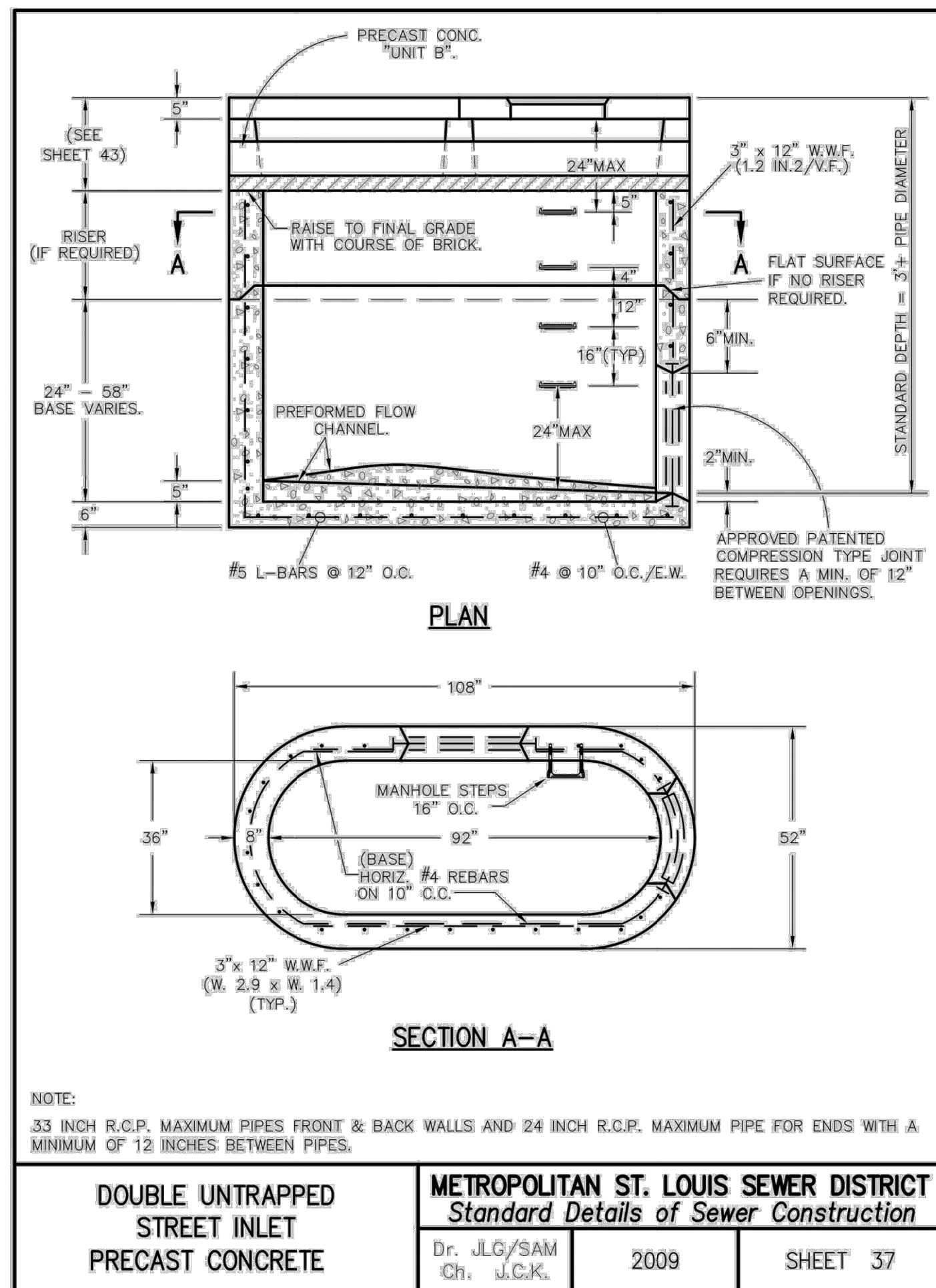


Public or Private inlets

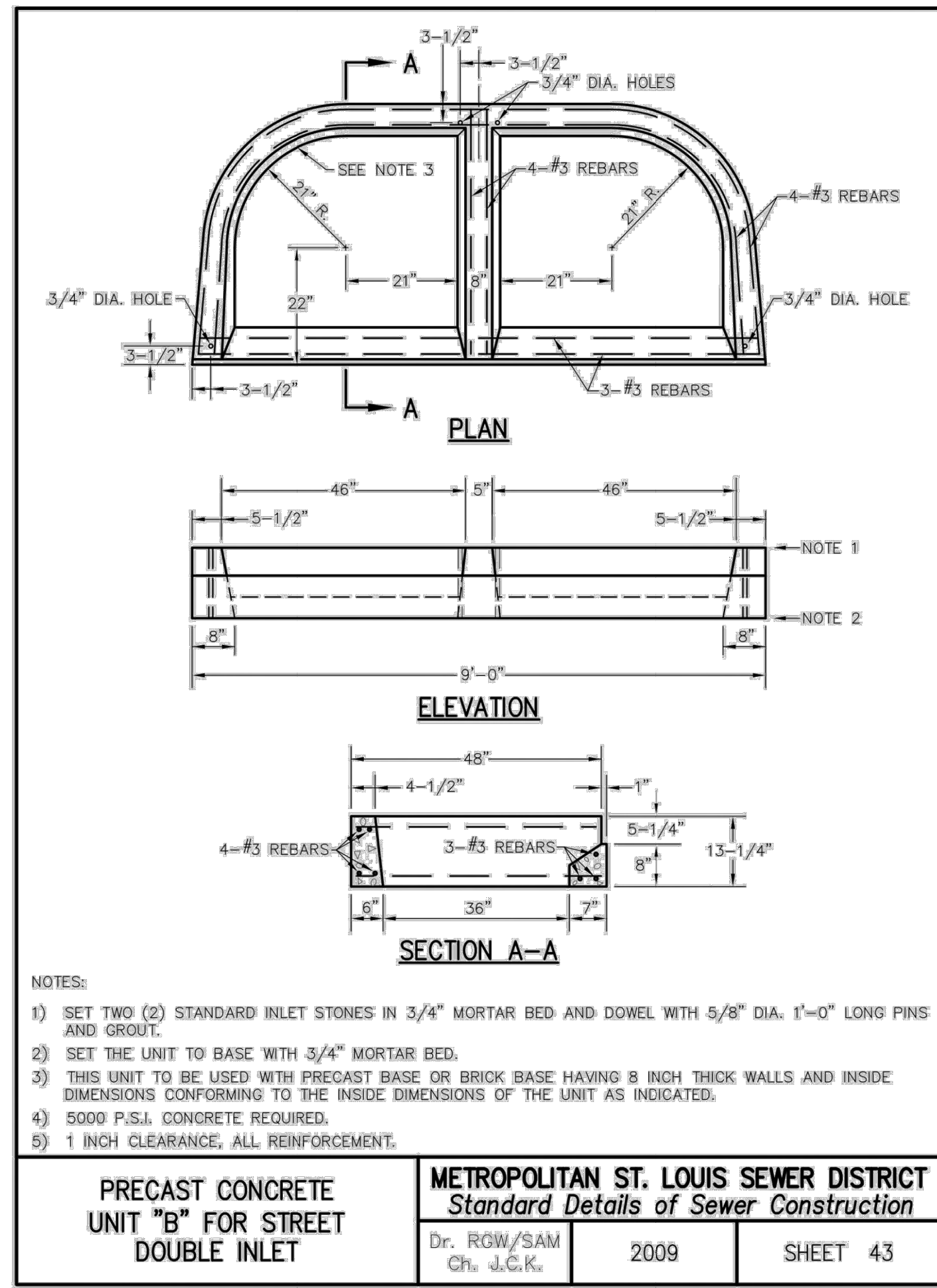
Size	Style	Adhesive	Message (Part #)
3 7/8" TO 4"	Crystal Cap or Standard Style	Epoxy	No Dumping Drains to Waterway



NOTE: CUTOFF WALLS ARE 2' DEEP UPSTREAM AND 3' DEEP DOWNSTREAM.



METROPOLITAN ST. LOUIS SEWER DISTRICT Standard Details of Sewer Construction			
Dr. JLG/SAM Ch. J.C.K.	2009	SHEET 37	



METROPOLITAN ST. LOUIS SEWER DISTRICT Standard Details of Sewer Construction			
Dr. RGW/SAM Ch. J.C.K.	2009	SHEET 43	



ENGINEER OF RECORD:
NAME: SHAWN W. BARRY
LICENSE NO. MO #PE-2009001053

PROJECT NUMBER:
23031-7BOM2

REVISION:
07-10-2023 CITY REVIEW COMMENTS

7 BREW COFFEE
O'FALLON, MO #2

3600 MONTICELLO DR.
O'FALLON, MO 63304