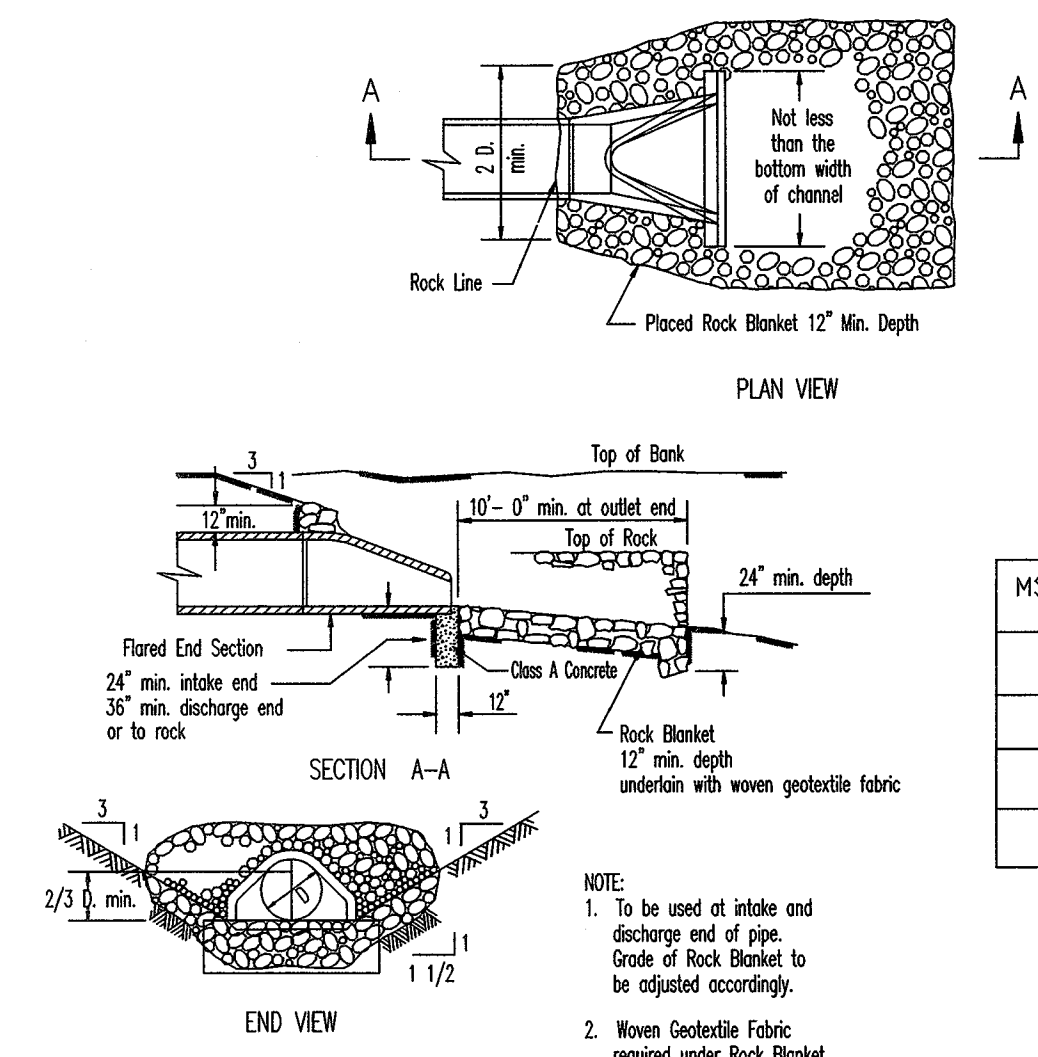


Note: At connections of 4" perforated pipe to sewer structure use an approved water stop gasket.

CITY OF O'FALLON  
ENGINEERING DEPARTMENT  
O'FALLON, MISSOURI

**CLASS A UNDERDRAINS**



MSD Type 5 Rock Blanket (% By Weight Passing)

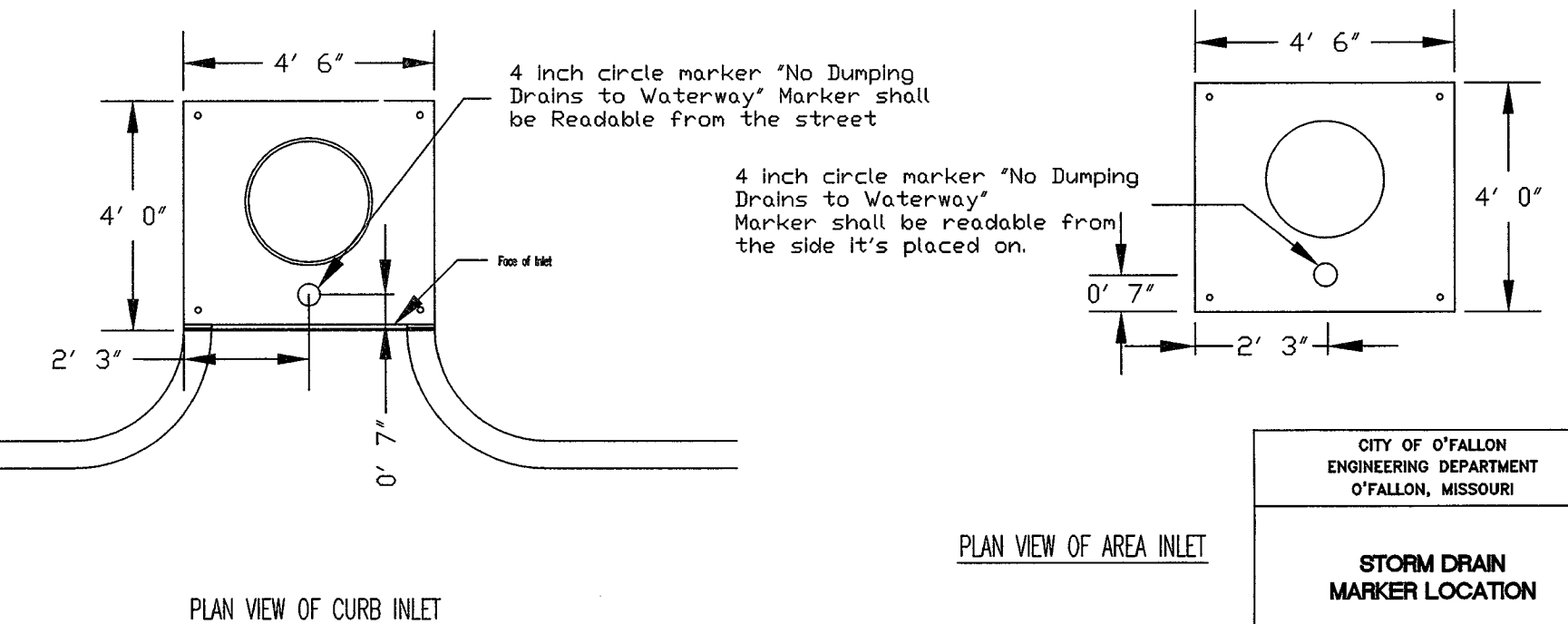
Sieve	Maximum	Minimum
12 inch	90	70
6 inch	30	10
1/2 inch	5	0

NOTE:  
1. To be used at intake and discharge end of pipe. Grade of Rock Blanket to be adjusted accordingly.  
2. Woven Geotextile Fabric required under Rock Blanket.

\* The discharge point of all flared end sections shall be protected by rip rap or other approved means.  
\*\* Rip rap shown at flared end sections will be evaluated in the field by the Engineer, Contractor, and City Inspectors after installation for effectiveness and field modified, if necessary to reduce erosion on and off site.

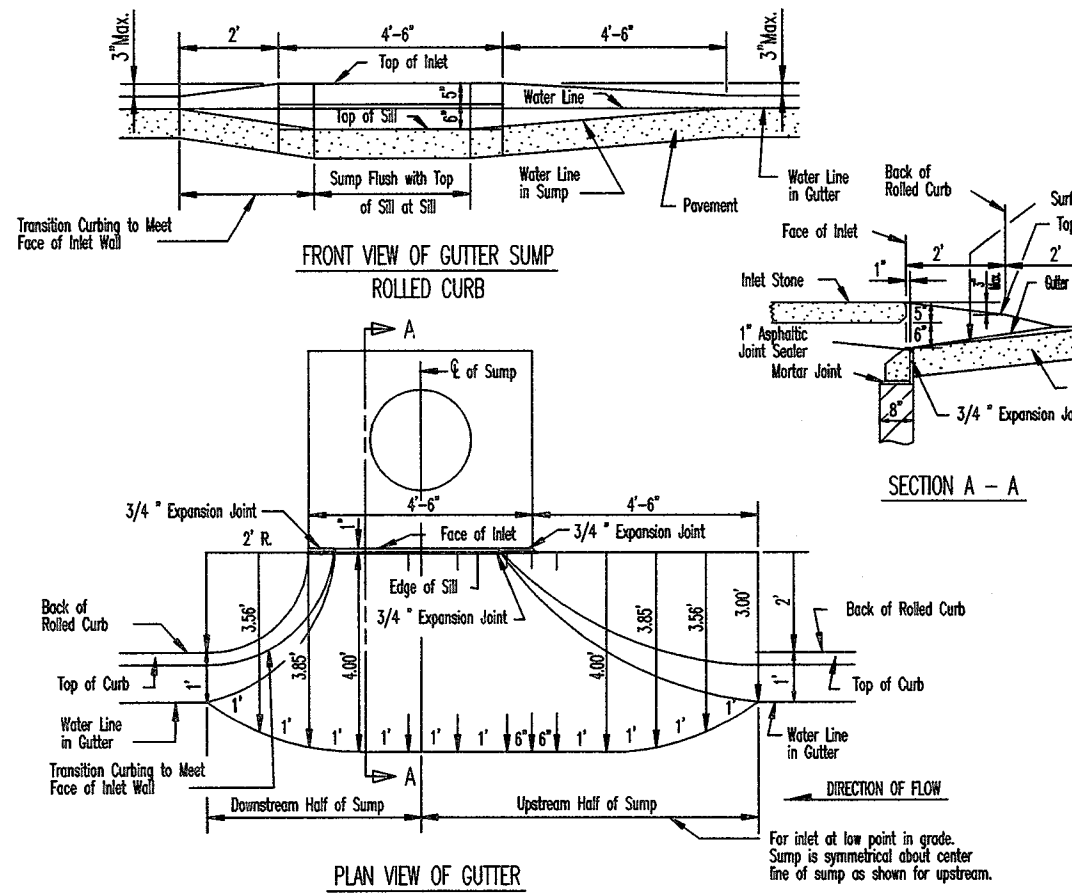
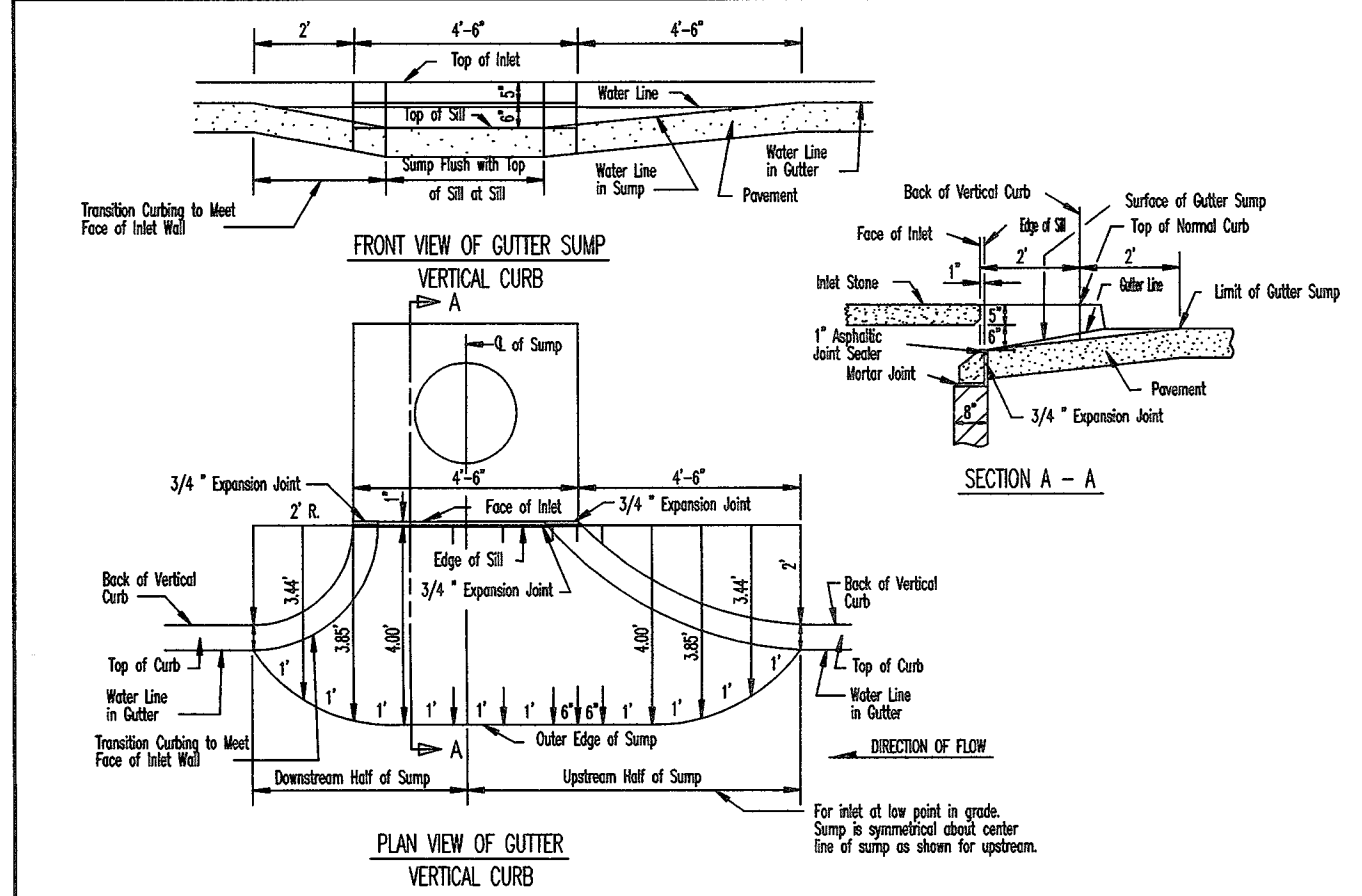
\* The City of O'Fallon must be provided with a symbol/medallion for review and approval prior to installation. Contact the City if any information is needed.

Size	Style	Adhesive	Message (Part #)
3 7/8" TO 4"	Crystal Cap or Standard Style	Epoxy	No Dumping Drains to Waterway

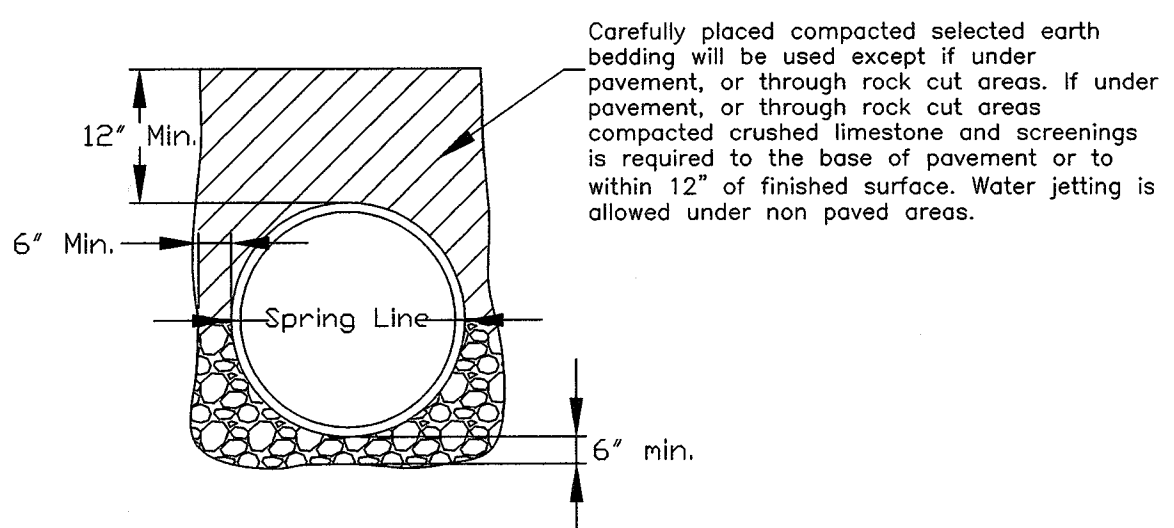


CITY OF O'FALLON  
ENGINEERING DEPARTMENT  
O'FALLON, MISSOURI

**STORM DRAIN MARKER LOCATION**

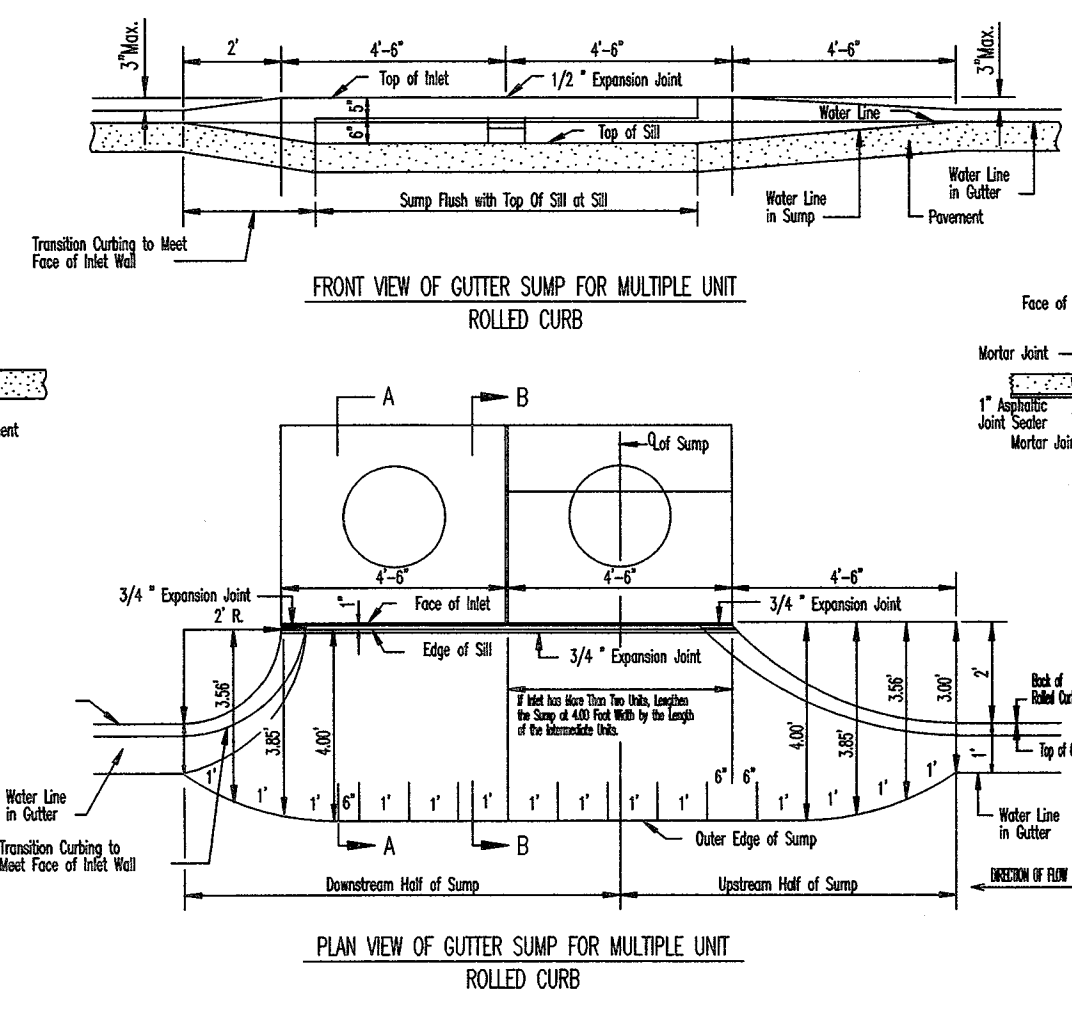
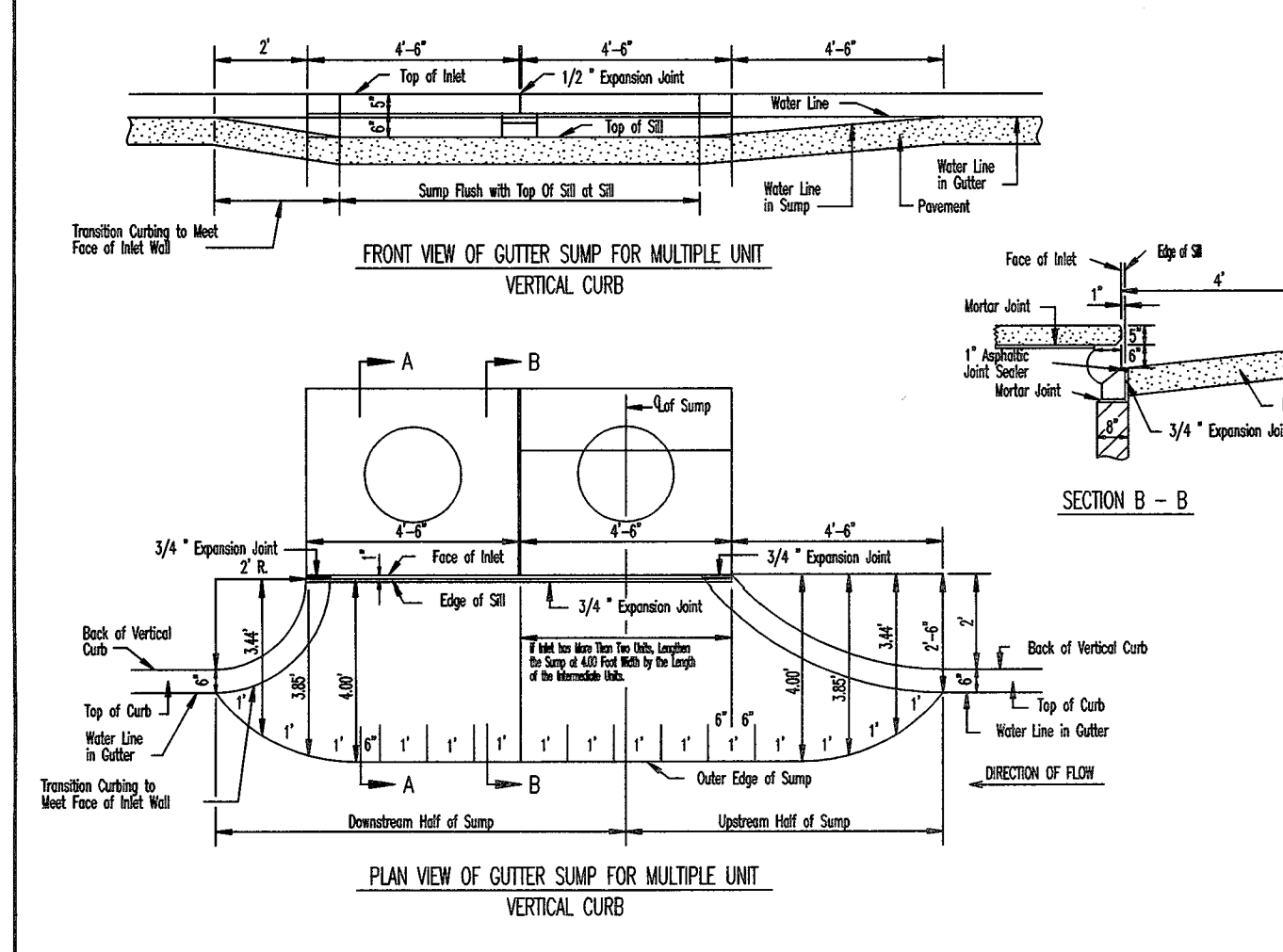


1. Do not scale drawing. Follow dimensions.
2. Inlets may be located 2.5 feet from the back of rolled curb. Add 0.5 feet to all sump dimensions for all inlets that are 2.5 feet offset.
3. For coated inlets, the sump shall extend 2.0 feet from the projection of the back of the curb.



CITY OF O'FALLON  
ENGINEERING DEPARTMENT  
O'FALLON, MISSOURI

**TRENCH DETAIL**



CITY OF O'FALLON  
ENGINEERING DEPARTMENT  
O'FALLON, MISSOURI

**SEWER CONSTRUCTION DETAILS**

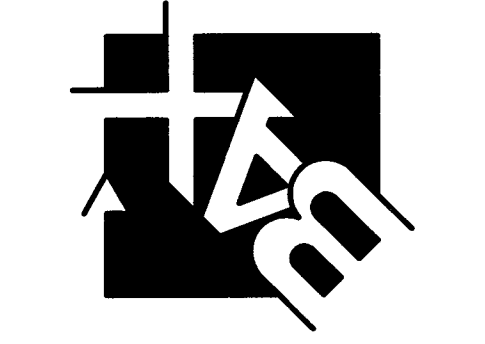
**STREET INLET SUMPS**

\* All other Storm or Sanitary Sewer Details will be by M.S.D. 2007 Standards and Specifications.

**PROJECT TITLE:**  
SCCAD BASE 5  
8430 MEXICO RD.  
ST. PETERS, MO. 63376

**ENGINEERING**  
PLANNING  
SURVEYING

231 Point West Blvd.  
St. Charles, MO 63031  
636-928-5562  
FAX 636-1718



DISCLAIMER OF RESPONSIBILITY  
I hereby specify that the documents intended to be authorized by my seal are limited to this sheet, and I hereby disclaim any responsibility for all other drawings, Specifications, Estimates, Reports or other documents or instruments relating to or intended to be used for any part or parts of the architectural or engineering project or survey.

REFERENCE DRAWINGS ONLY

**REVISIONS**

NO.	DATE	DESCRIPTION
5-10-17		CITY SUBMITTAL
6-9-17		BID SET
7-18-17		CITY COMMENTS

**Developer / Owner:**  
ST. CHARLES COUNTY AMBULANCE DISTRICT  
4169 OLD MILL PARKWAY  
ST. PETERS, MISSOURI 63376

**SANITARY AND STORM DETAILS**

P+Z No. #1302.15.01  
approved (5-5-2016)  
extension (7-6-17)  
City No. #17-003492

Page No.  
11 of 20