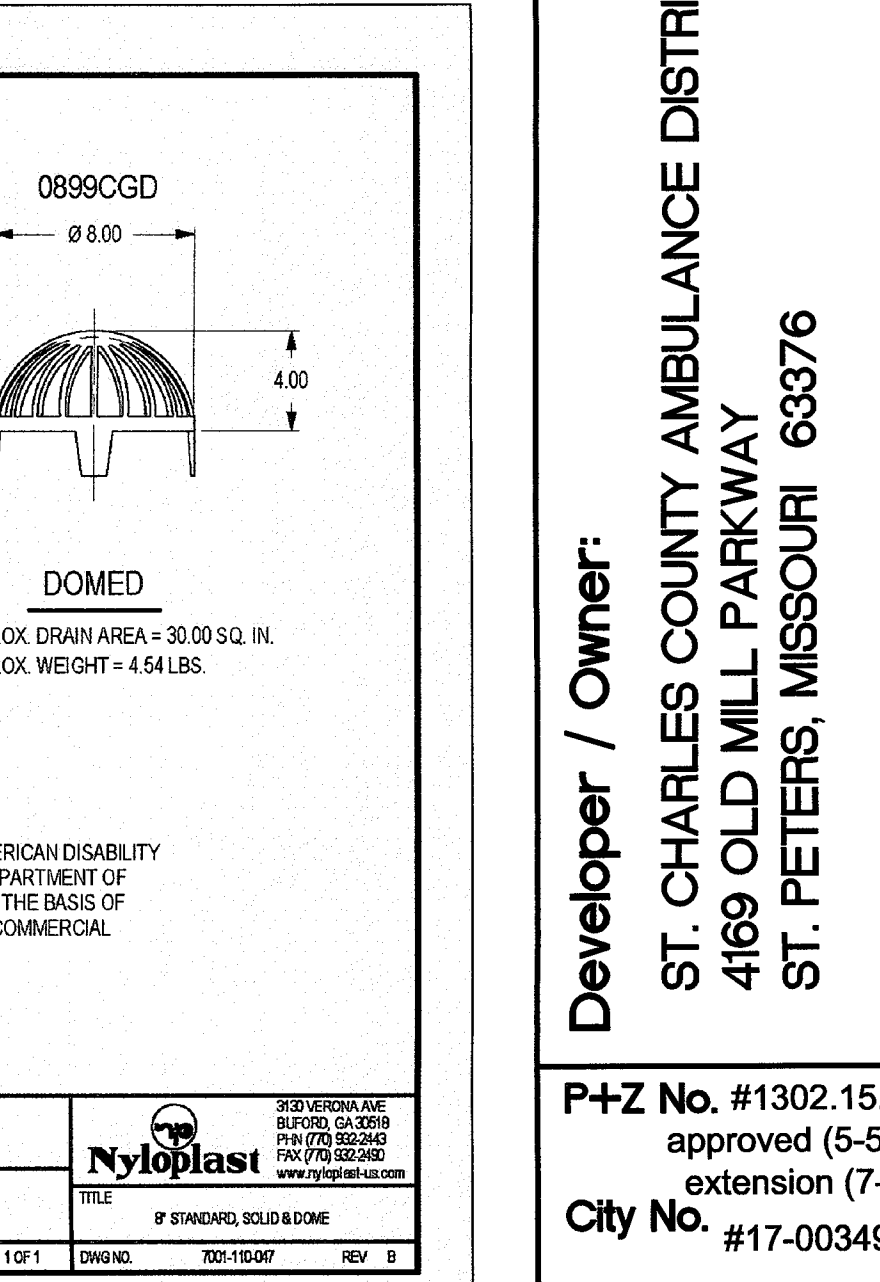
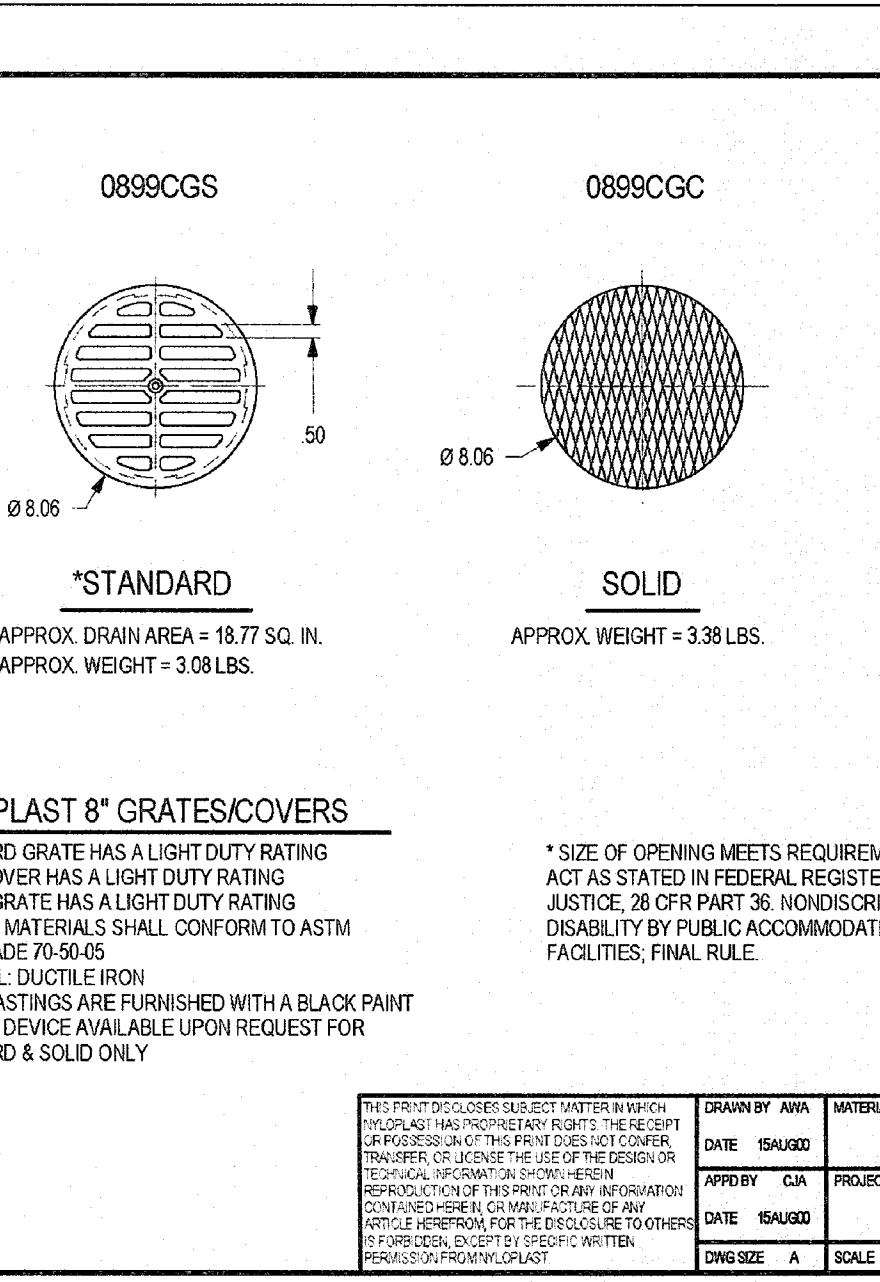
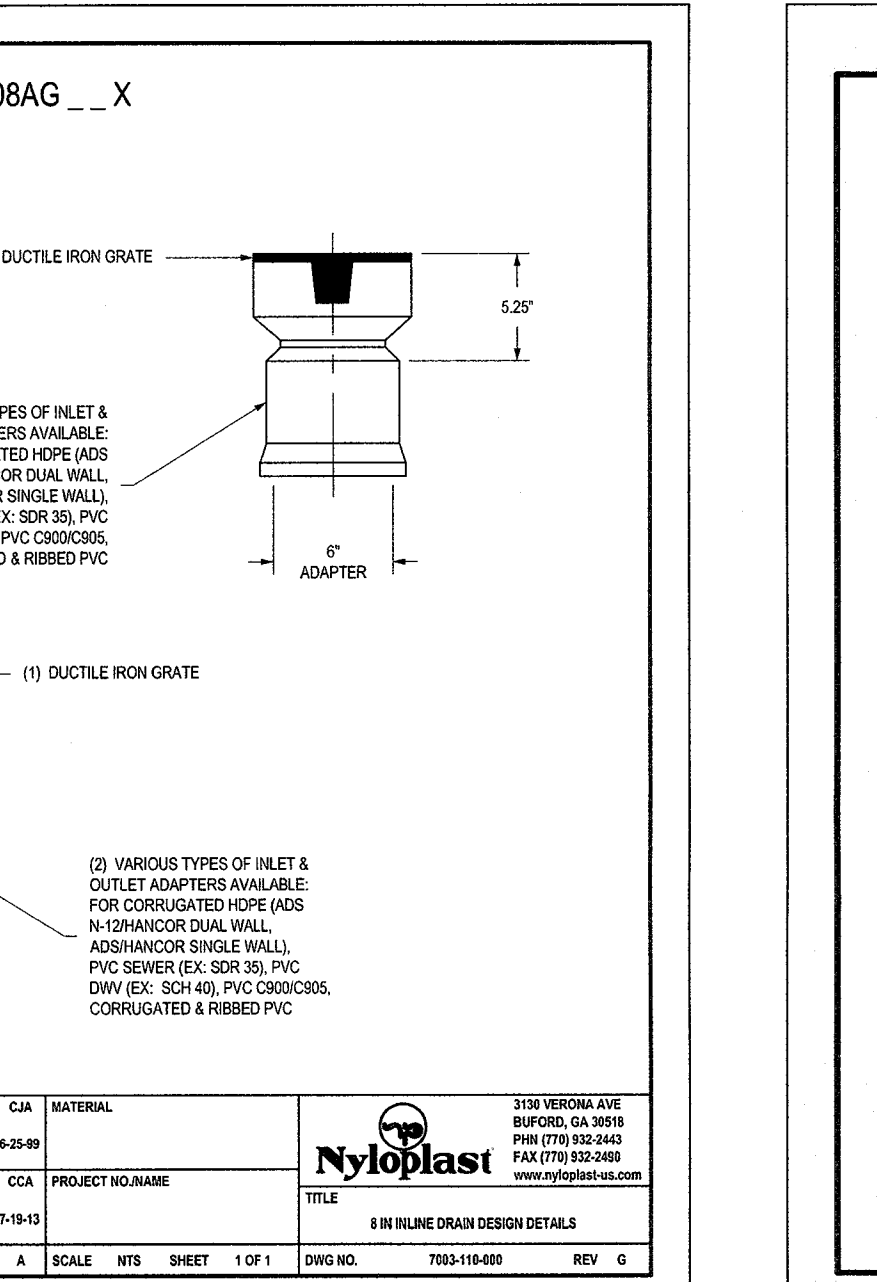
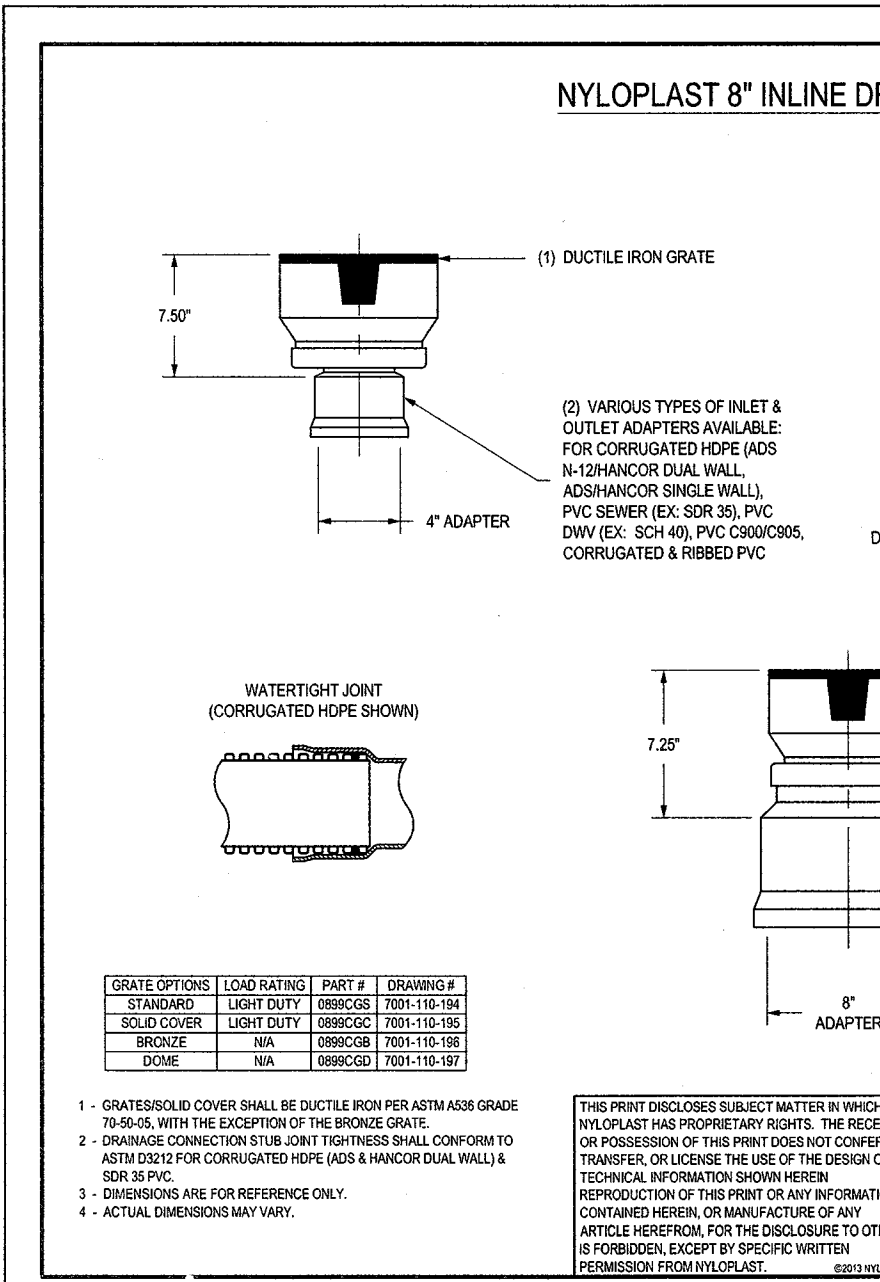
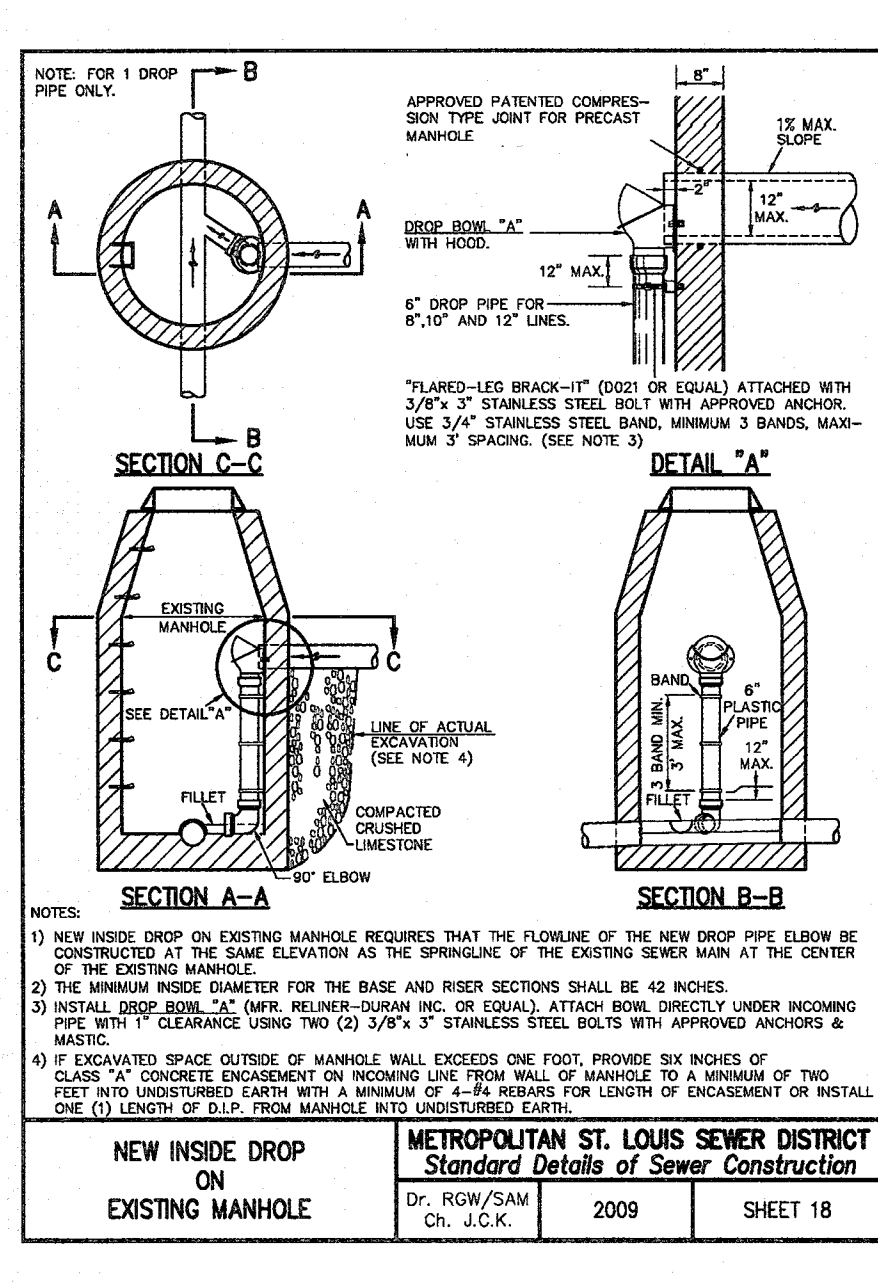
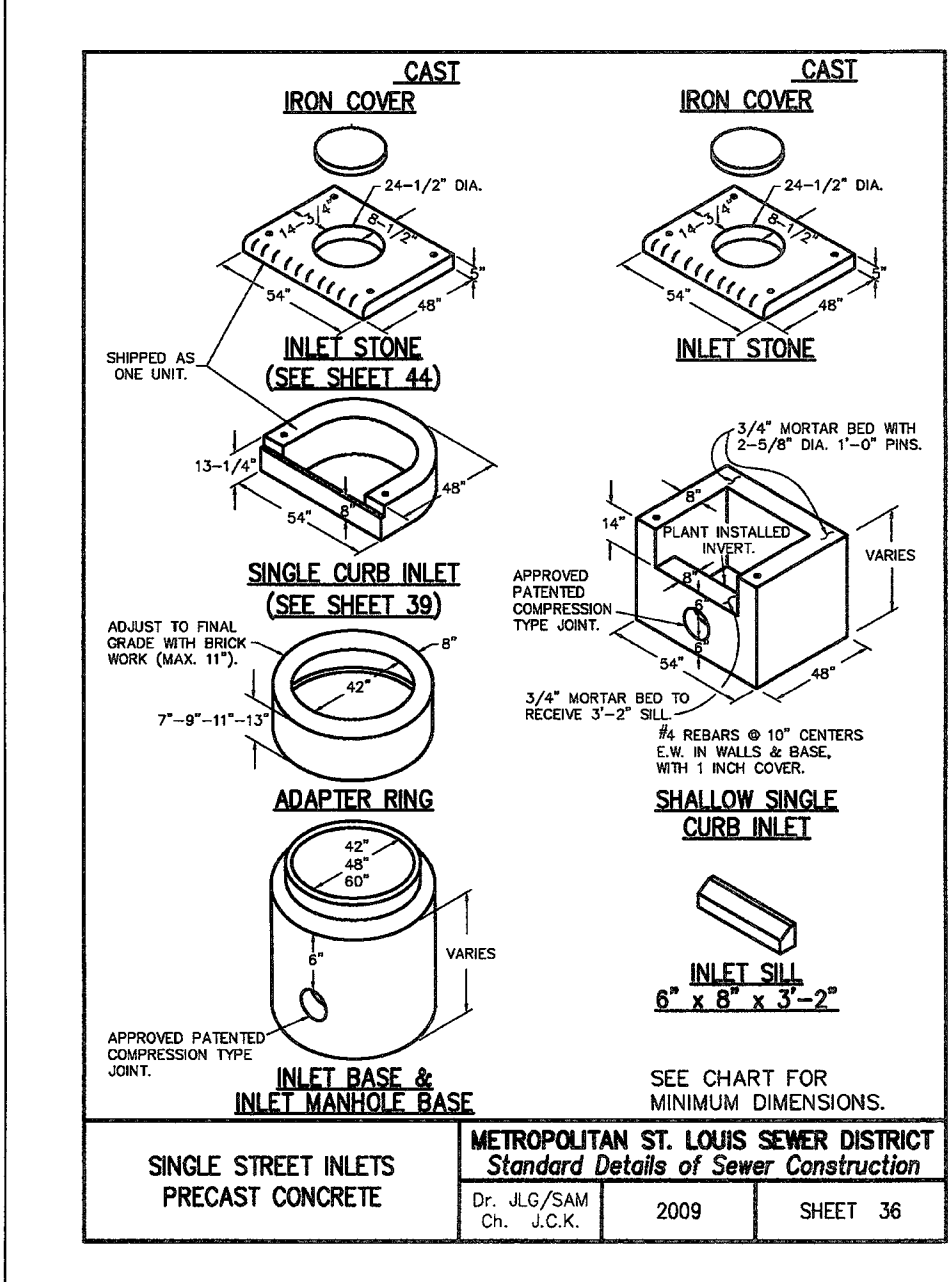
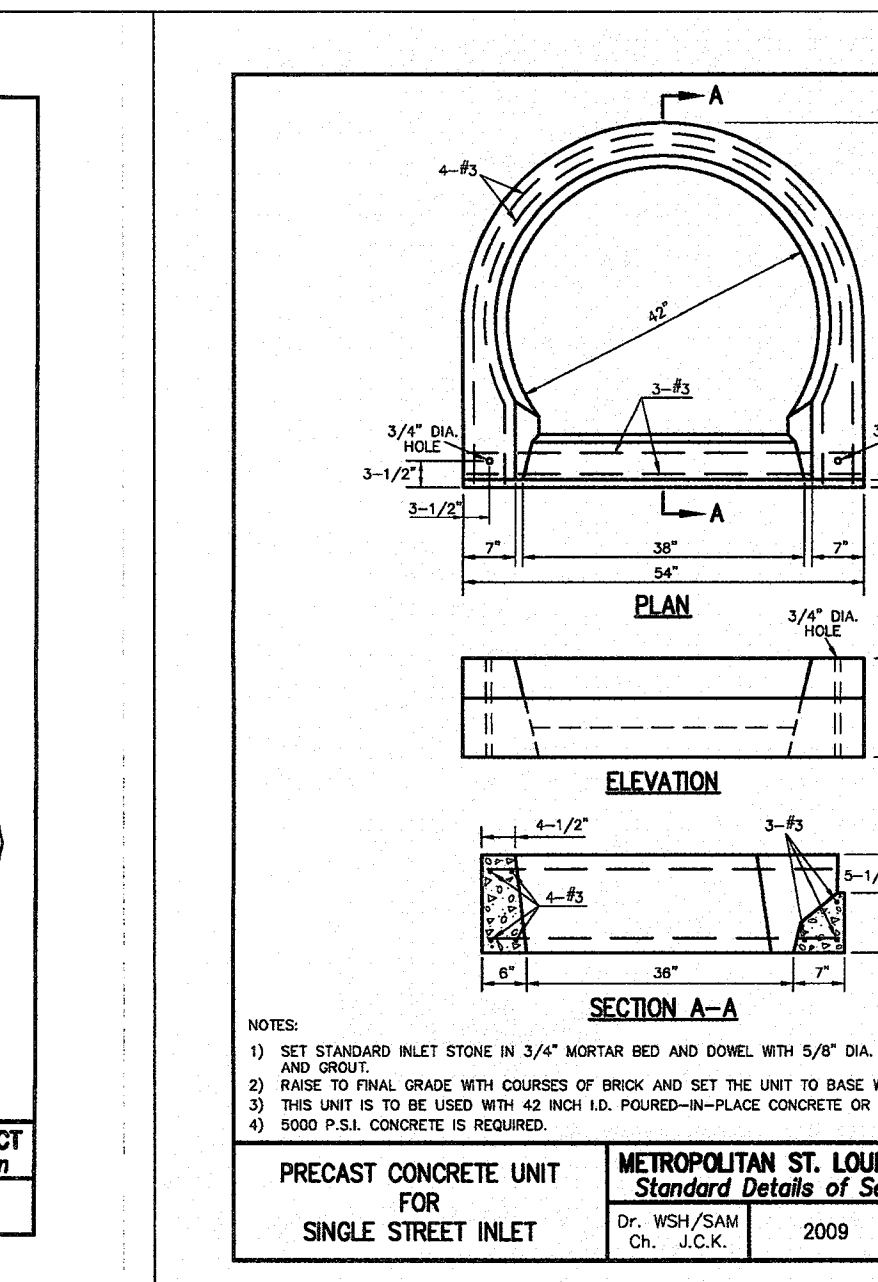
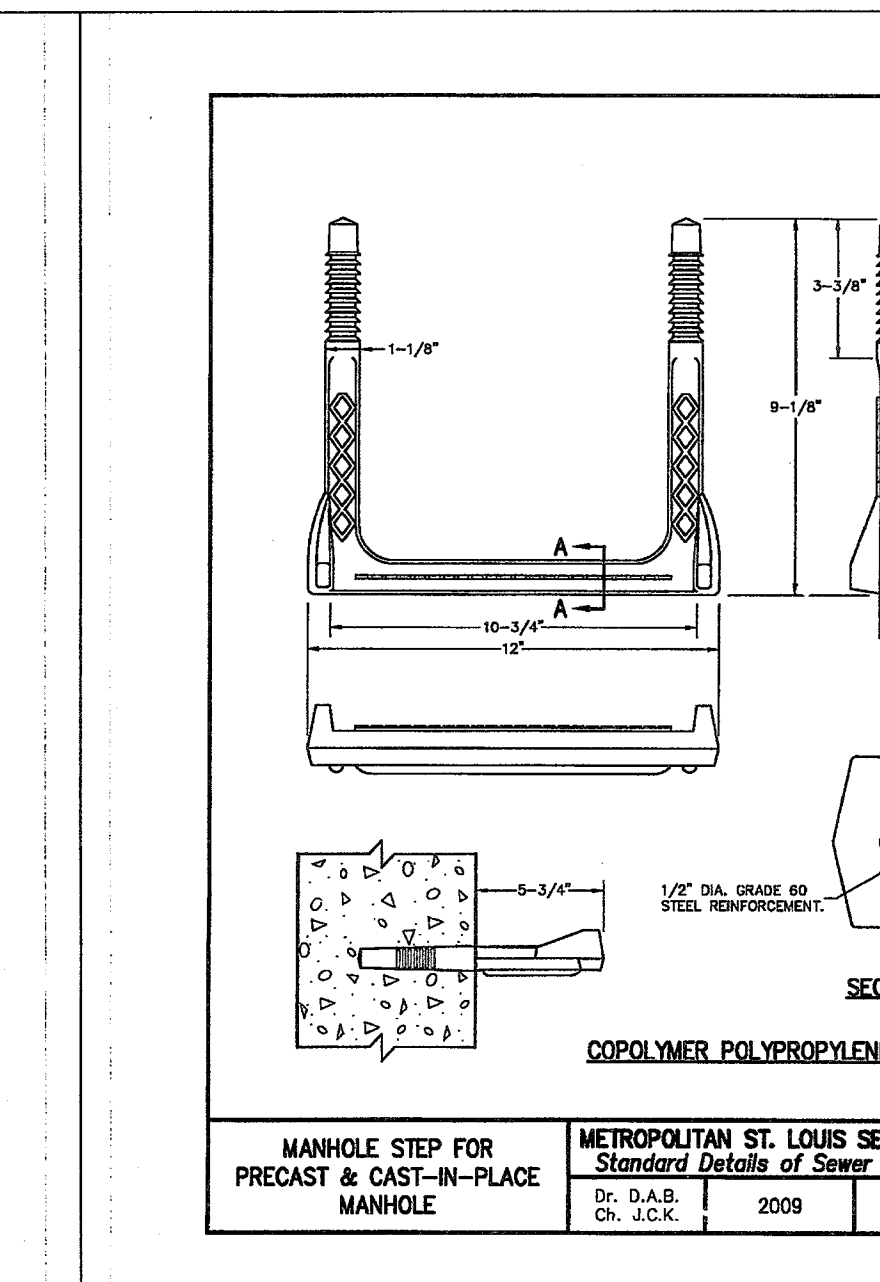
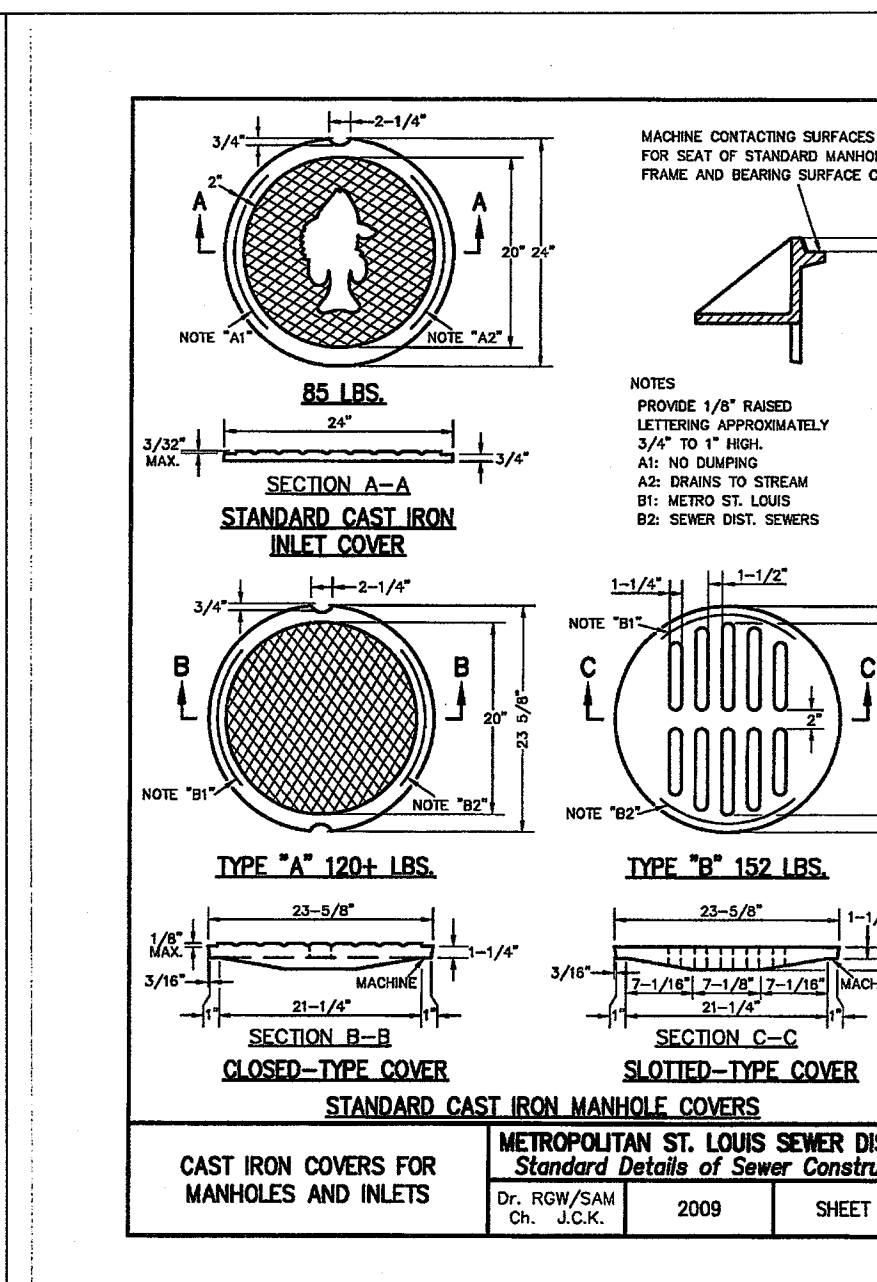
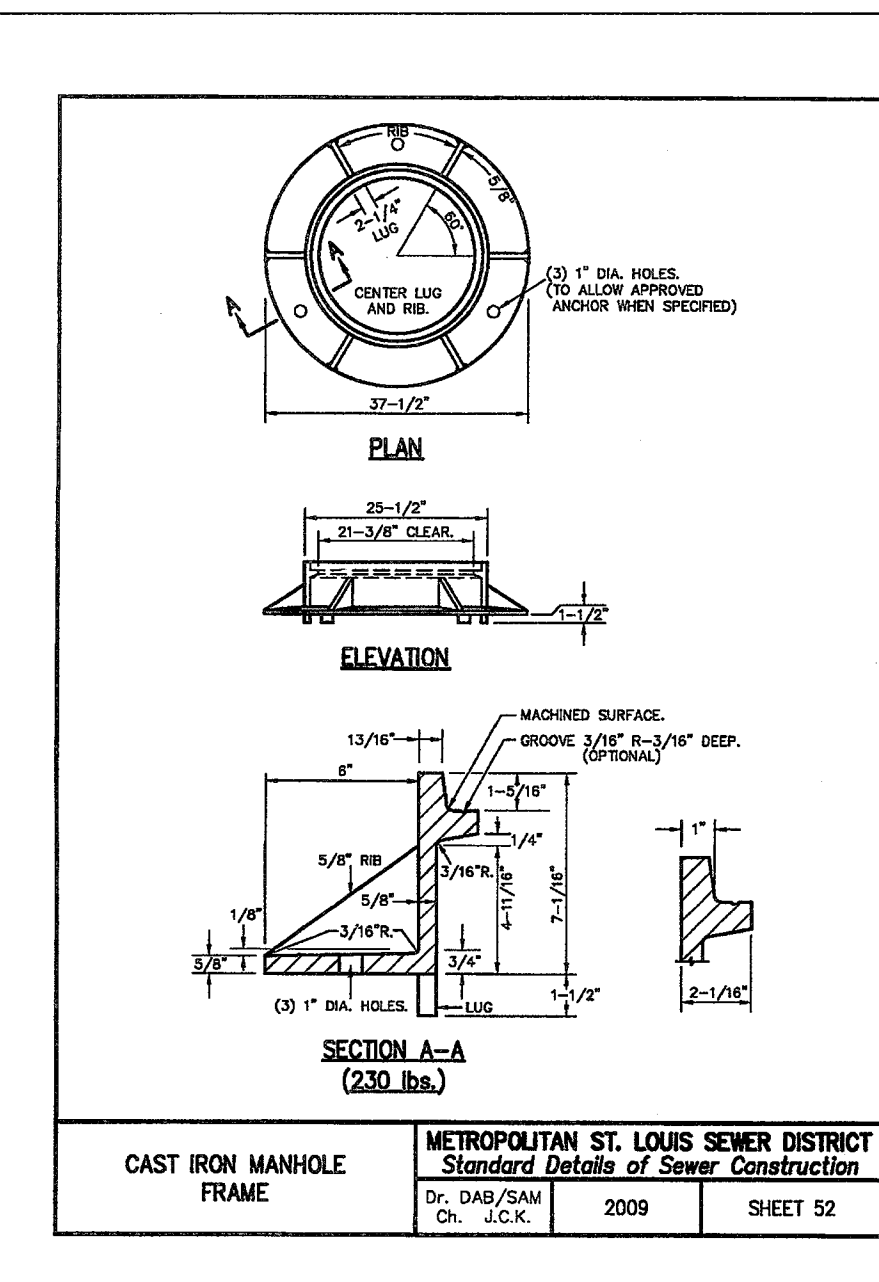
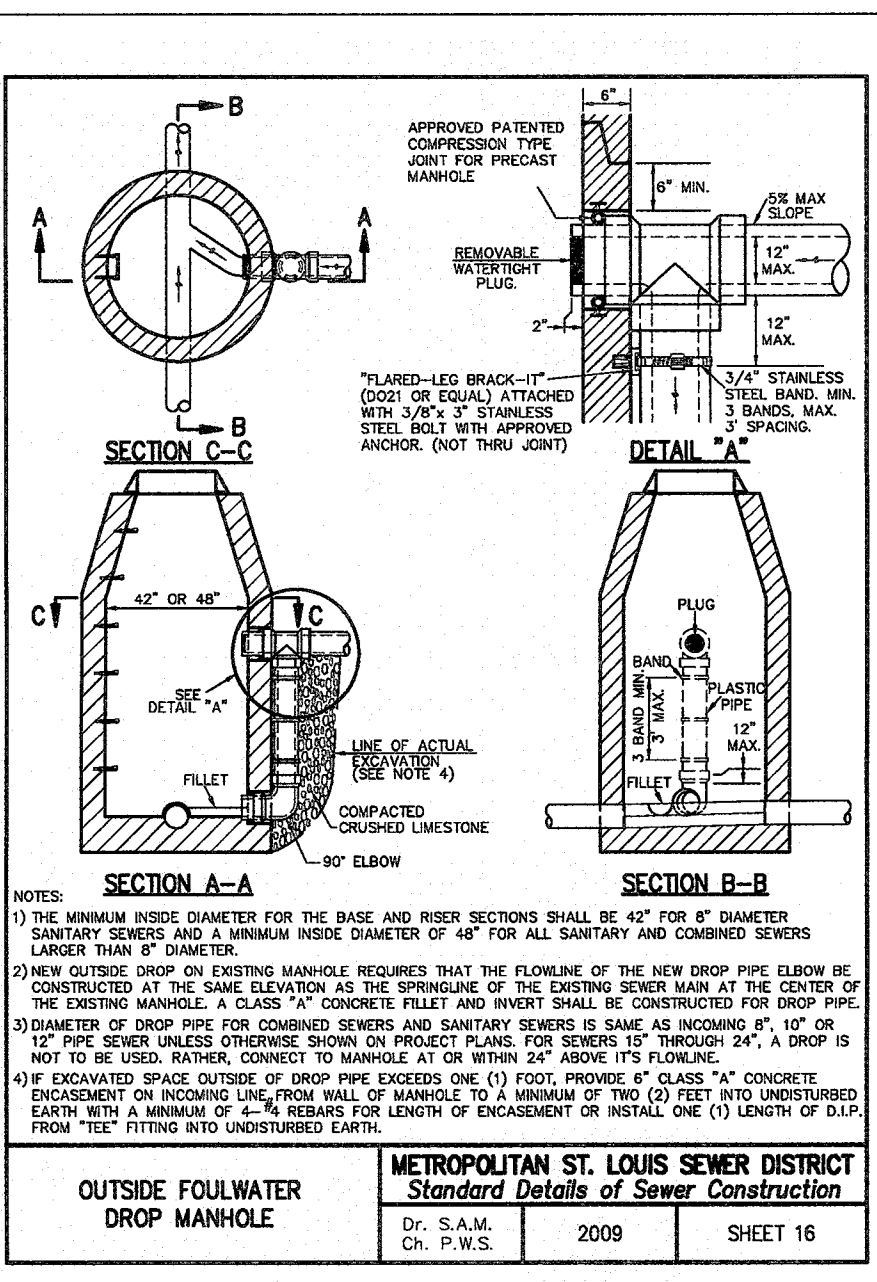
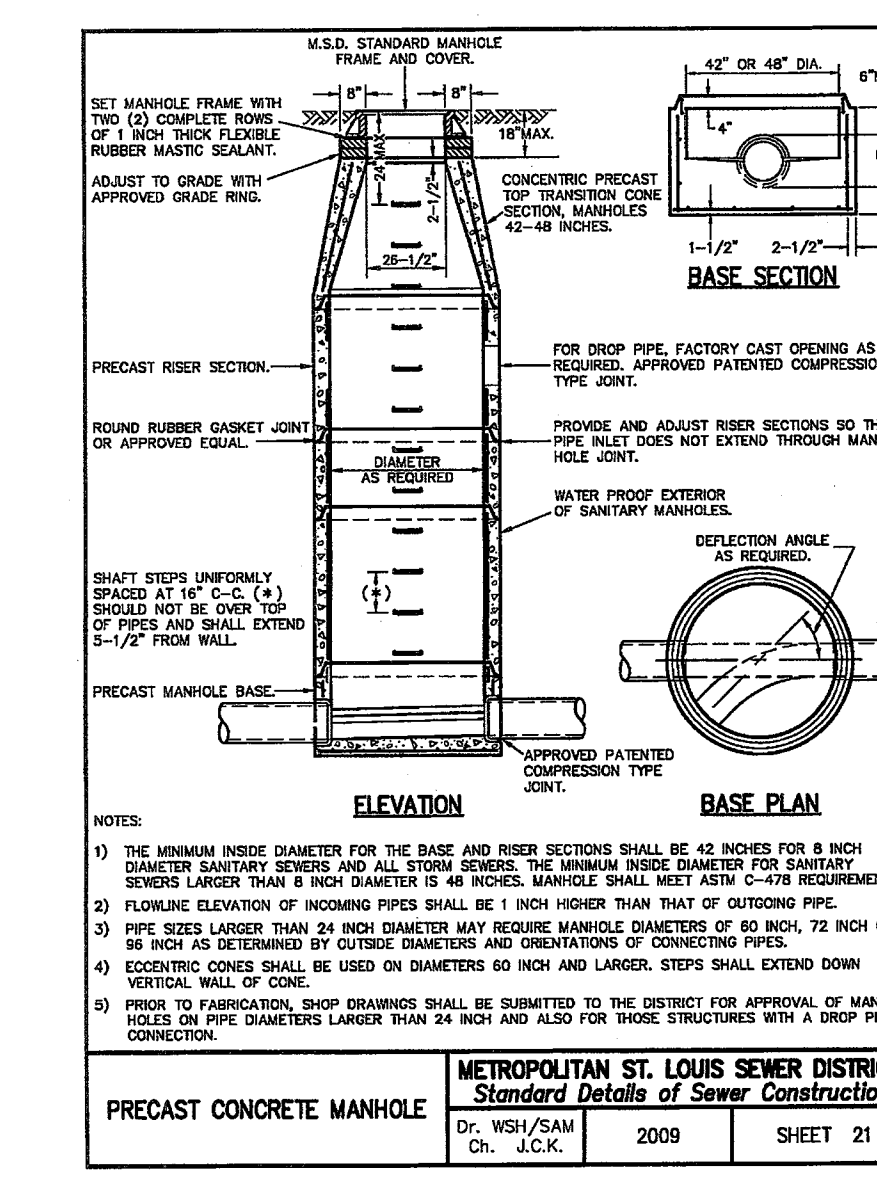
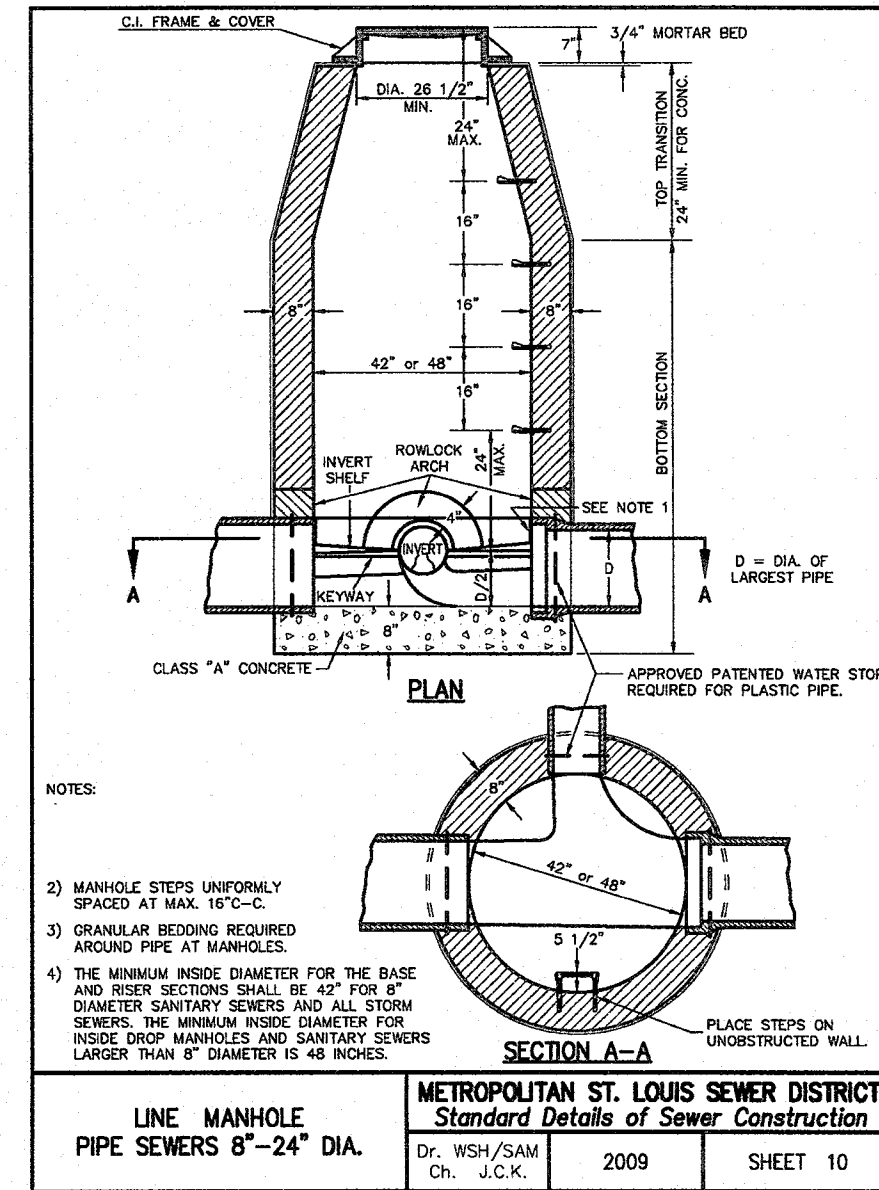
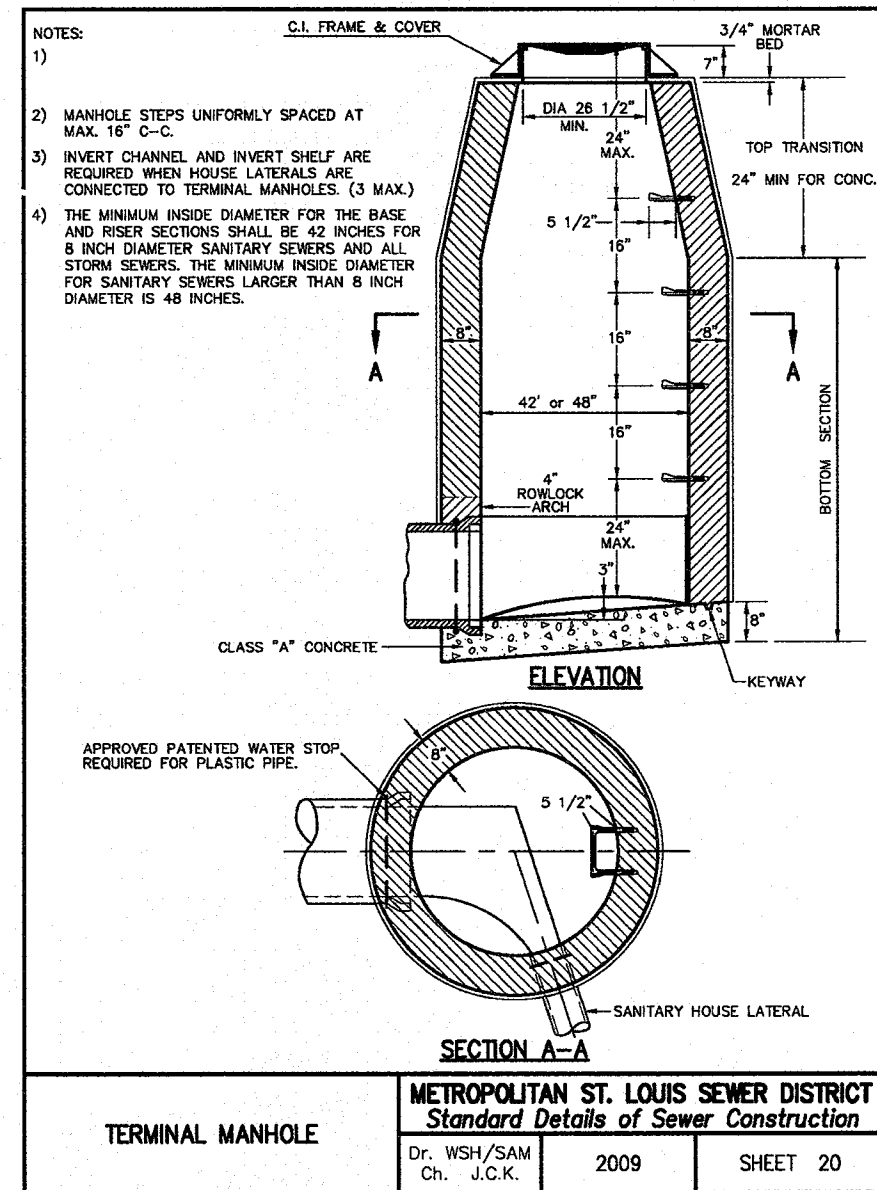
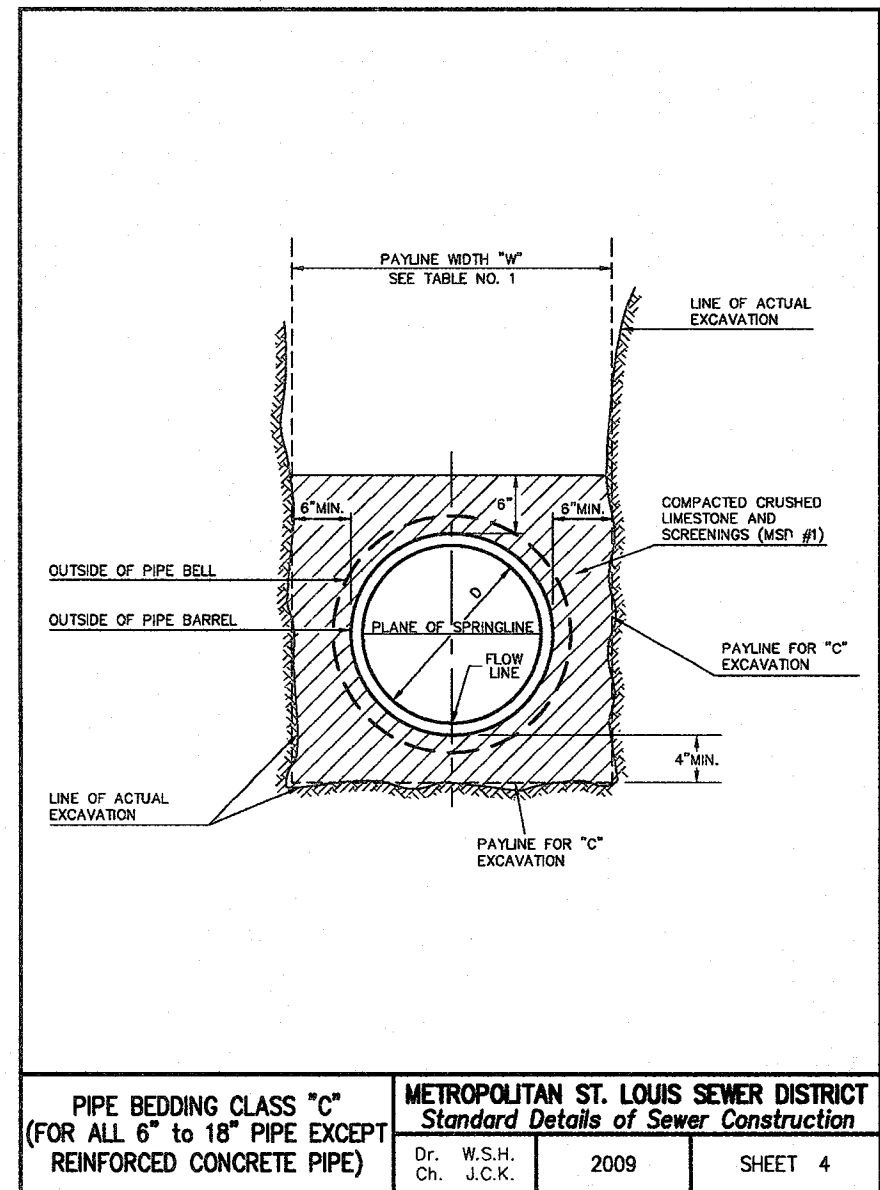


ROUND PIPE				HORIZONTAL ELLIPTICAL PIPE			
INSD. DIAMETER OF PIPE (INCHES)	"W" PAYLINE WIDTH OF TRENCH (INCHES)	"M" PAYLINE WIDTH OF TRENCH (FEET)	PAY-VOLUMES CONCRETE ENCASUREMENT (CU. FT. PER FT.)	INSD. DIMENSIONS OF PIPE (INCHES)	"W" PAYLINE WIDTH OF TRENCH (INCHES)	"M" PAYLINE WIDTH OF TRENCH (FEET)	PAY-VOLUMES CONCRETE ENCASUREMENT (CU. FT. PER FT.)
4	30	2.50	3.28				
6	30	2.50	3.59				
8	30	2.50	3.87				
10	30	2.50	4.09				
12	30	2.50	4.25				
15	36	3.00	5.05				
18	36	3.00	5.77	14 x 23	41	3.42	5.94
21	39	3.25	6.61				
24	42	3.50	7.39	19 x 30	49	4.08	7.68
27	45	3.75	8.18	22 x 34	53	4.42	8.61
30	48	4.00	8.93	24 x 38	58	4.83	9.70
33	51	4.25	9.63	27 x 42	62	5.17	10.71
36	54	4.50	10.28	29 x 45	66	5.50	11.72
39	57	4.75	10.89	32 x 49	71	5.92	12.74
42	60	5.00	11.47	34 x 53	75	6.25	13.69
45	63	5.25	12.02	36 x 57	80	6.66	14.66
48	66	5.50	12.54	38 x 60	83	6.92	15.18
51	69	5.75	13.03	40 x 64	87	7.27	16.15
54	72	6.00	13.49	42 x 68	92	7.67	17.11
57	75	6.25	13.92	44 x 72	96	8.00	18.08
60	78	6.50	14.32	46 x 76	101	8.42	19.05
63	81	6.75	14.69	48 x 80	105	8.83	19.93
66	84	7.00	15.03	50 x 84	109	9.20	20.81
69	87	7.25	15.34	52 x 88	114	9.63	21.70
72	90	7.50	15.62	54 x 92	118	9.83	22.43
75	93	7.75	15.87	56 x 96	123	10.50	23.50
78	96	8.00	16.09	58 x 100	127	10.83	24.43
81	99	8.25	16.28	60 x 104	131	11.25	25.31
84	102	8.50	16.44	62 x 108	135	11.62	26.19
87	105	8.75	16.57	64 x 112	139	11.92	26.99
90	108	9.00	16.67	66 x 116	143	12.27	27.81
93	111	9.25	16.74	68 x 120	147	12.53	28.46
96	114	9.50	16.78	70 x 124	150	12.67	28.99
99	117	9.75	16.79	72 x 128	154	12.83	29.49
102	120	10.00	16.77	74 x 132	157	12.93	29.96
105	123	10.25	16.72	76 x 136	160	13.00	30.40
108	126	10.50	16.64	78 x 140	163	13.03	30.81
111	129	10.75	16.53	80 x 144	166	13.03	31.19
114	132	11.00	16.39	82 x 148	169	13.00	31.54
117	135	11.25	16.22	84 x 152	172	12.93	31.87
120	138	11.50	16.02	86 x 156	175	12.83	32.18
123	141	11.75	15.79	88 x 160	178	12.67	32.47
126	144	12.00	15.53	90 x 164	181	12.53	32.74
129	147	12.25	15.24	92 x 168	184	12.31	33.00
132	150	12.50	14.92	94 x 172	187	12.03	33.24
135	153	12.75	14.57	96 x 176	190	11.69	33.46
138	156	13.00	14.19	98 x 180	193	11.29	33.65
141	159	13.25	13.78	100 x 184	196	10.83	33.81
144	162	13.50	13.34	102 x 188	199	10.31	33.94

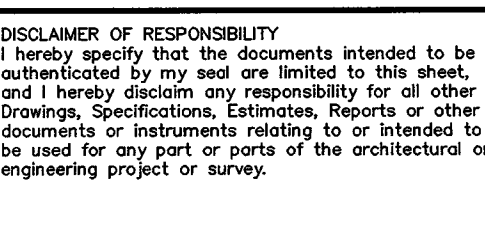
TABLE 1 PAYLINE WIDTHS OF TRENCH AND PAY-VOLUMES OF CONCRETE

METROPOLITAN ST. LOUIS SEWER DISTRICT Standard Details of Sewer Construction
Dr. W.S.H./SAM Ch. J.C.K. 2009 SHEET 1



PROJECT TITLE:
SCCAD BASE 5
8430 MEXICO RD.
ST. PETERS, MO. 63376

ENGINEERING SURVEYING
221 Point West Blvd.
St. Charles, MO 63301
636-928-5562
FAX 636-928-1716



REFERENCE DRAWINGS ONLY

REVISIONS	
5-10-17	CITY SUBMITTAL
6-9-17	BID SET
7-18-17	CITY COMMENTS

Developer / Owner:
ST. CHARLES COUNTY AMBULANCE DISTRICT
4169 OLD MILL PARKWAY
ST. PETERS, MISSOURI 63376

P+Z No. #1302.15.01
approved (5-5-2016)
extension (7-6-17)
City No. #17-003492