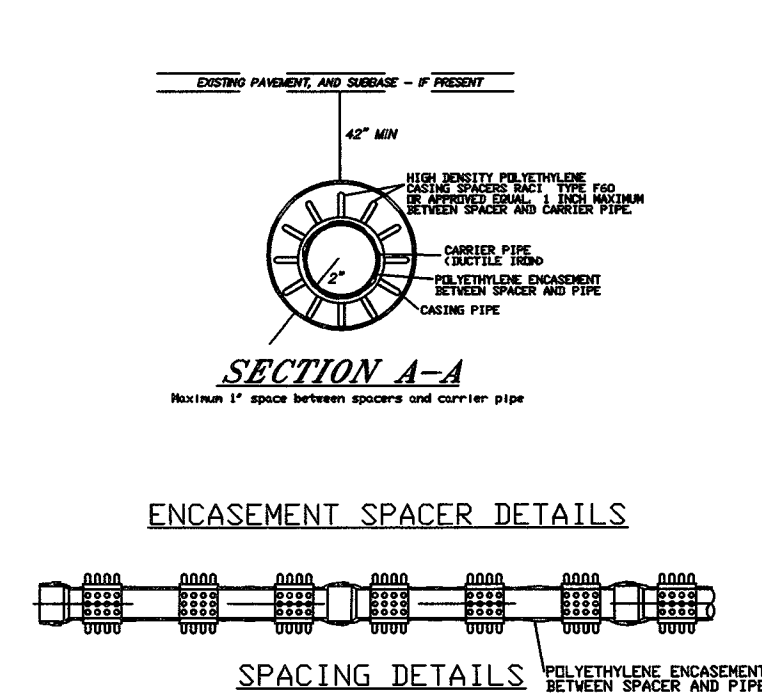
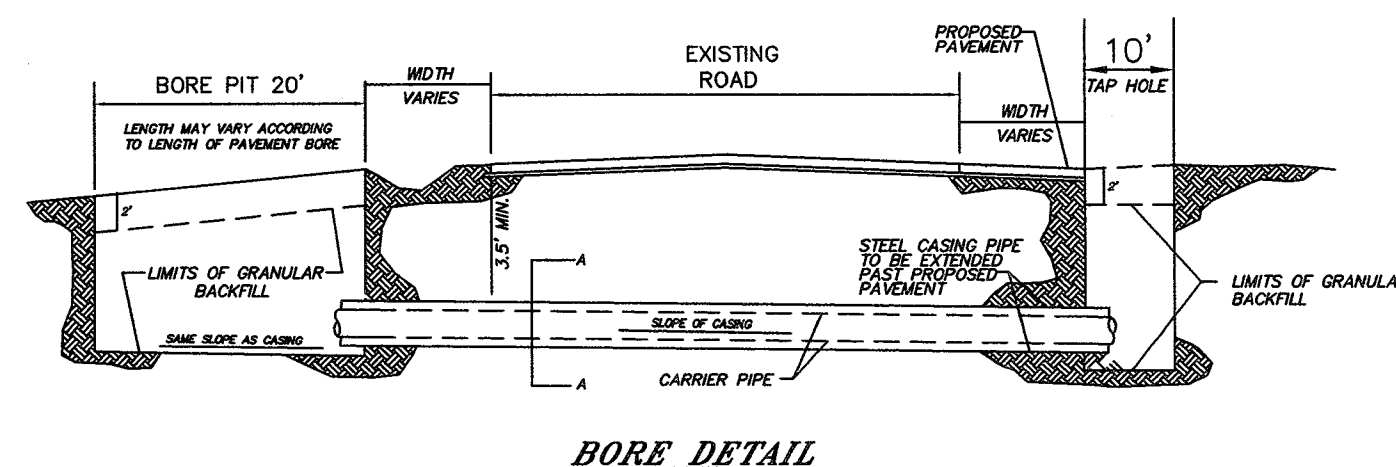


PROPERTY N/F
GREYSTONE HOLDINGS, L.L.C.
4580/1440
PARCEL I.D.: 2-0119-1766-00-23.2
CITY OF O'FALLON
ZONED: C-2 GENERAL BUSINESS

PROPOSED
LOT 1
PROPERTY N/F
ST. CHARLES COUNTY AMBULANCE DISTRICT
6850/785
PARCEL I.D.: 2-0119-1766-00-23.21
CITY OF O'FALLON
ZONED: C-2 GENERAL BUSINESS

ZONE AE FLOORWAY
ZONE AE
PROPERTY N/F
TIMOTHY A. GRIFFEY
4223/1307
CITY OF O'FALLON
ZONED: C-2 GENERAL BUSINESS



BORING NOTES

- DO NOT SCALE DRAWING. FOLLOW DIMENSIONS.
- INSTALLATION OF THE CASING AND CARRIER PIPES SHALL MEET THE REQUIREMENTS FOR THE CITY OF O'FALLON SPECIFICATIONS.
- ALL JOINTS IN THE CASING PIPE SHALL BE WELDED.
- THE PIPE TO BE PLACED IN THE BORE HOLE SHALL BE CAST-IRON PIPE EXCEPT AS REQUIRED ON THE PLANS.
- STEEL CASING PIPE USED IN THE INSTALLATION OF WATER OR SEWER LINE AND CONDUITS SHALL HAVE A MINIMUM YIELD STRENGTH OF 35,000 P.S.I.
- CARRIER PIPE SHALL BE 8" DIA. D.I.P.
- CASING PIPE SHALL BE 18" DIA. STEEL (0.281" WALL THICKNESS).

- SPECIFICATIONS**
- 4" Inlet/Outlet Sch. 40, Plain End (No-Hub)
 - Max flow rate: 100 GPM
 - Liquid capacity: 275 gallons (36.8 cu ft)
 - Max oil capacity: 1475 gallons
 - Sand capacity: 105 gallons
 - Unit weight w/std. covers: 230 lbs.
 - Maximum operating temperature: 190 °F continuous.
 - Highway rated covers: 15,000 lb. capacity
 - Seamless molded polyethylene tank.

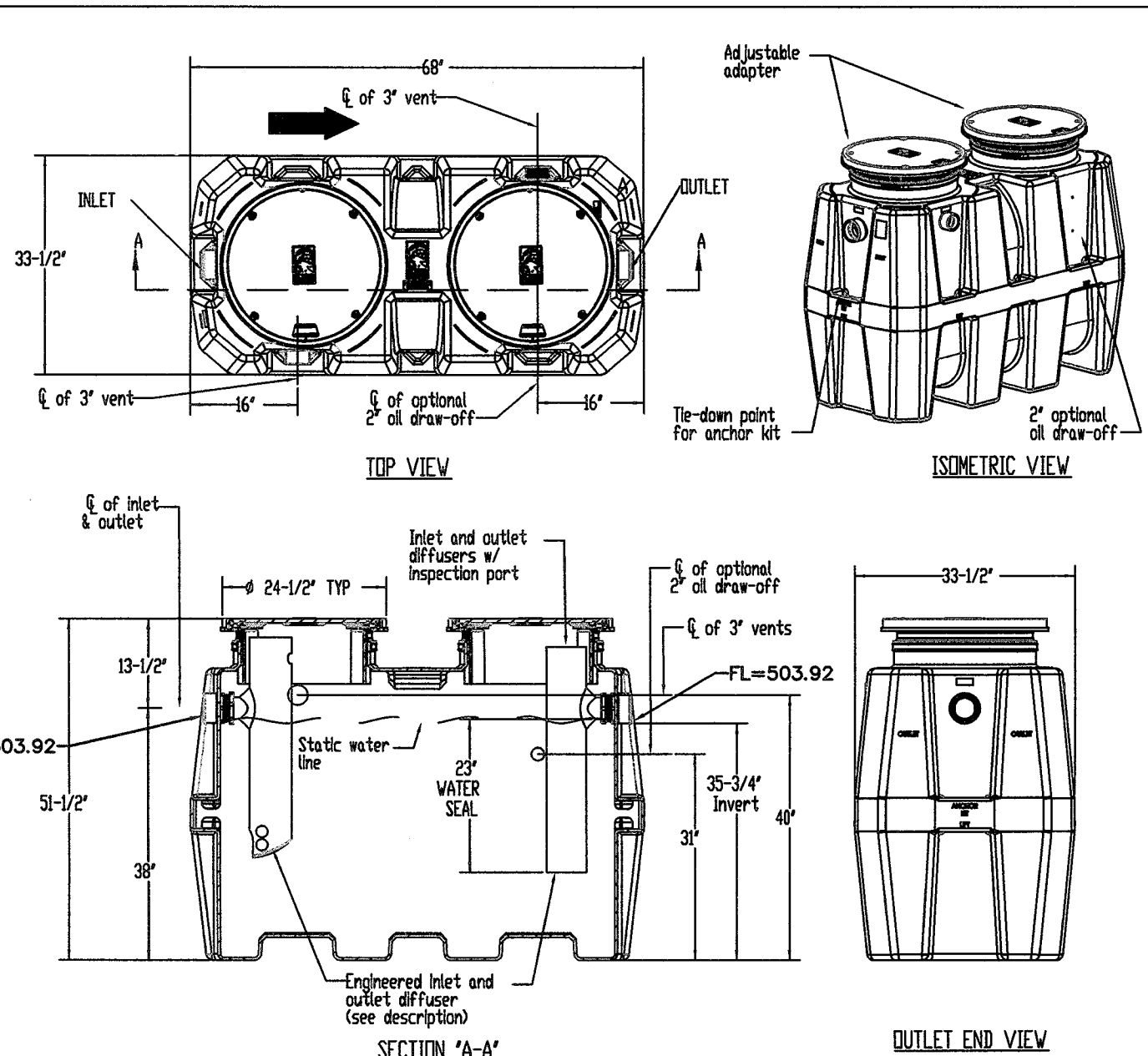
- NOTES**
- Factory installed built-in flow control.
 - For gravity drainage applications only. Do not use for pressure applications.
 - Seamless high density polyethylene tank.
 - Unit supplied with built-in adapters for up to 6" of adjustability. Additional riser(s) available for deeper burial depth.
 - Cover placement allows full access to tank for proper maintenance.
 - Narrow footprint allows clearance through doorways and down stairwells.
 - Engineered inlet and outlet diffusers are removable to inspect/clean piping.
 - For on-the-floor or buried applications.

DIFFUSION FLOW TECHNOLOGY
The inlet diffuser splits incoming effluent into two paths that utilize the entire liquid volume of the tank for efficient oil separation. The collimated openings greatly reduce effluent turbulence. The effluent enters the main chamber without disturbing the existing oil or sediment layers.

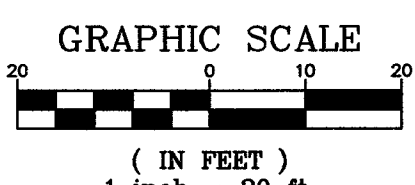
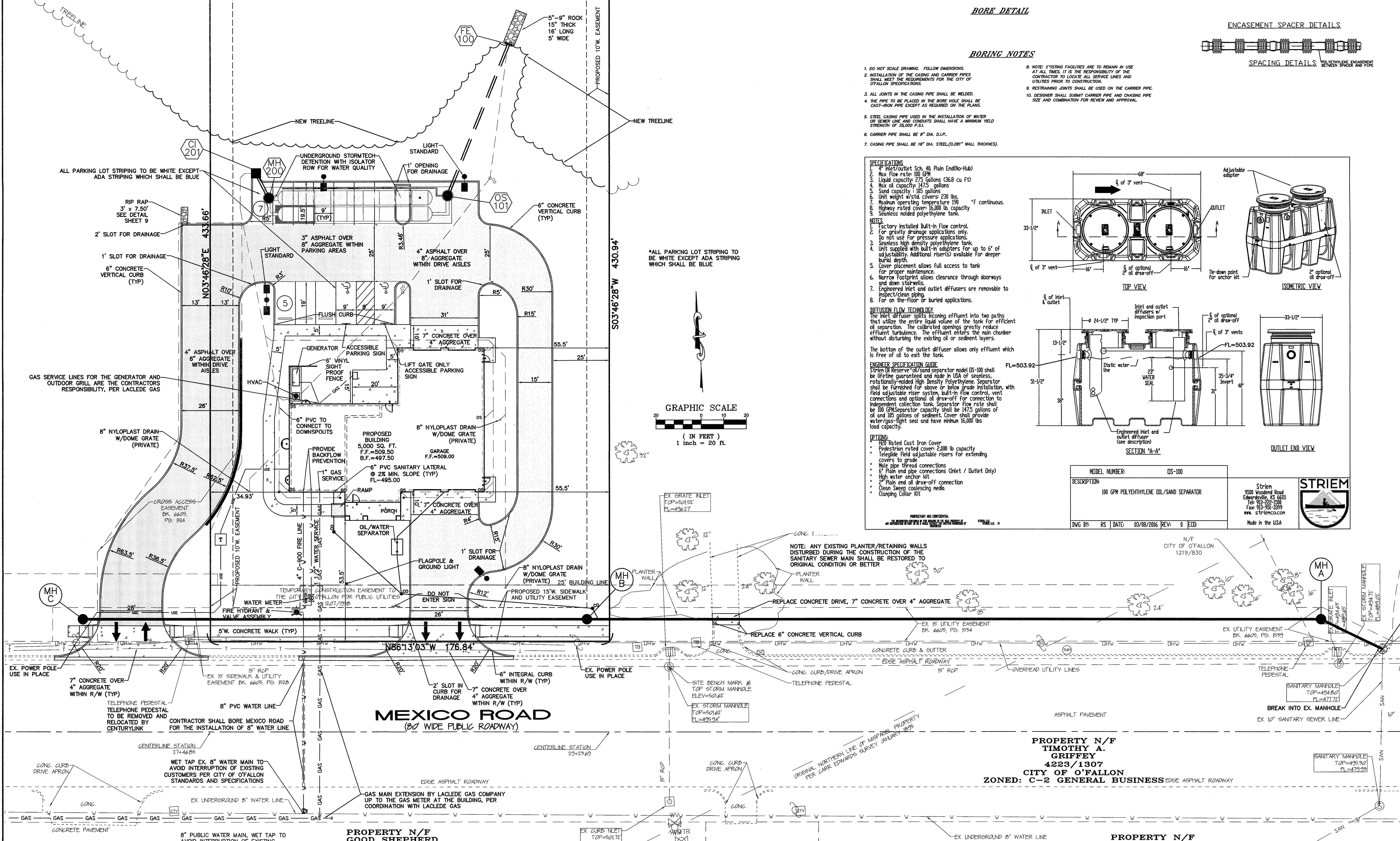
The bottom of the outlet diffuser allows only effluent which is free of oil to exit the tank.

- ENGINEER SPECIFICATION GUIDE**
Striem III Reserve™ oil/sand separator model DS-100 shall be life-time guaranteed and made in USA of seamless, rotationally-molded High Density Polyethylene. Separator shall be furnished for above or below grade installation, with field adjustable riser system, built-in flow control, vent connections and optional oil draw-off for connection to independent collection tank. Separator flow rate shall be 100 GPM/separator capacity shall be 1475 gallons of oil and 105 gallons of sediment. Cover shall provide water/gas-tight seal and have minimum 15,000 lbs load capacity.

- OPTIONS**
- 200 Rated Cast Iron Cover
 - Pedestrian rated covers: 2,000 lb capacity
 - Teleguide field adjustable risers for extending covers to grade
 - Male pipe thread connections
 - High water anchor kit
 - 2" Plain end oil draw-off connection
 - Clean Sweep coalescing media
 - Clamping Collar kit



MODEL NUMBER:	DS-100
DESCRIPTION:	100 GPM POLYETHYLENE OIL/SAND SEPARATOR
DWG BY:	RS
DATE:	03/08/2016
REV:	0 ECD



CALL BEFORE YOU DIG!
1-800-DIG-RITE

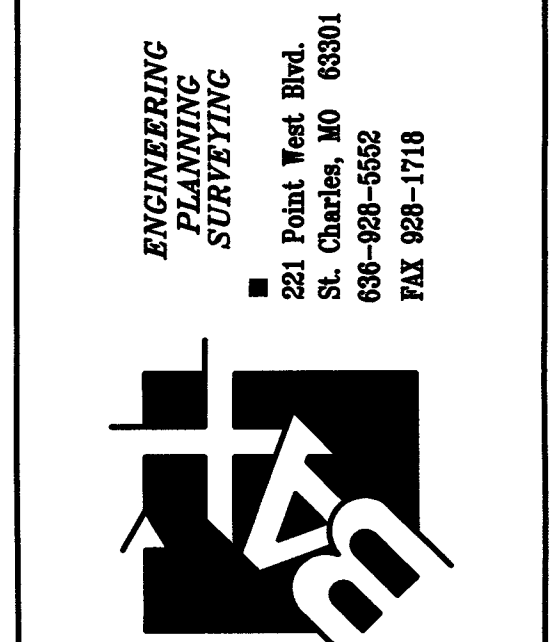
PROPERTY N/F
GOOD SHEPHERD
EVANGELICAL LUTHERAN CHURCH
OF ST. CHARLES COUNTY
1186/71
CITY OF O'FALLON
ZONED: R-1 SINGLE FAMILY RESIDENTIAL

PROPERTY N/F
TIMOTHY A. GRIFFEY
4223/1307
CITY OF O'FALLON
ZONED: C-2 GENERAL BUSINESS

PROPERTY N/F
GREYSTONE HOLDINGS, L.L.C.
4580/1440
PARCEL I.D.: 2-0119-1766-00-23.2

UNDERGROUND UTILITIES HAVE BEEN PLOTTED FROM AVAILABLE INFORMATION AND THEREFORE THEIR LOCATIONS SHALL BE CONSIDERED APPROXIMATE ONLY. THE VERIFICATION OF THE LOCATION OF ALL UNDERGROUND UTILITIES, EITHER SHOWN OR NOT SHOWN ON THESE PLANS, SHALL BE THE RESPONSIBILITY OF THE CONTRACTOR, AND SHALL BE LOCATED PRIOR TO ANY GRADING OR CONSTRUCTION OF THE IMPROVEMENTS.

PROJECT TITLE:
SCCAD BASE 5
8430 MEXICO RD.
ST. PETERS, MO. 63376



DISCLAIMER OF RESPONSIBILITY
I hereby specify that the documents intended to be authorized by my seal are limited to this sheet, and I hereby disclaim any responsibility for all other drawings, Specifications, Estimates, Reports or other documents or instruments relating to or intended to be used for any purpose of the architectural or engineering profession.

DRY DAVID WALKER
Professional Engineer
07/27/17

REVISIONS

5-10-17	CITY SUBMITTAL
6-9-17	BID SET
7-18-17	CITY COMMENTS

Copyright 2017
Box Engineering Company, Inc.
Engineering Authority No. 000655
Surveying Authority No. 000144
All Rights Reserved

Developer / Owner:
ST. CHARLES COUNTY AMBULANCE DISTRICT
4169 OLD MILL PARKWAY
ST. PETERS, MISSOURI 63376

P+Z No. #1302.15.01
approved (5-5-2016)
extension (7-6-17)
City No. #17-003492

Page No.
4 of 20

SITE PLAN