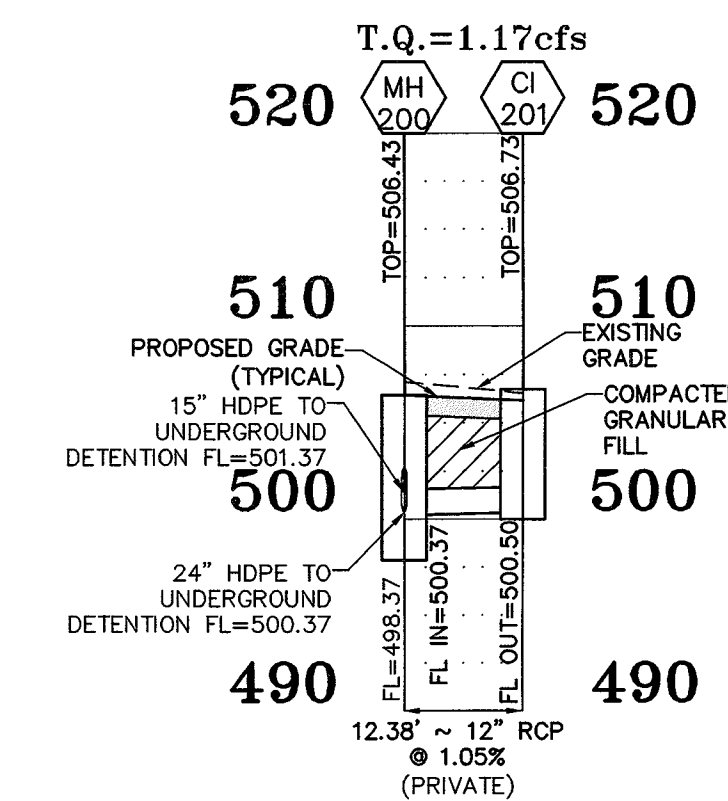


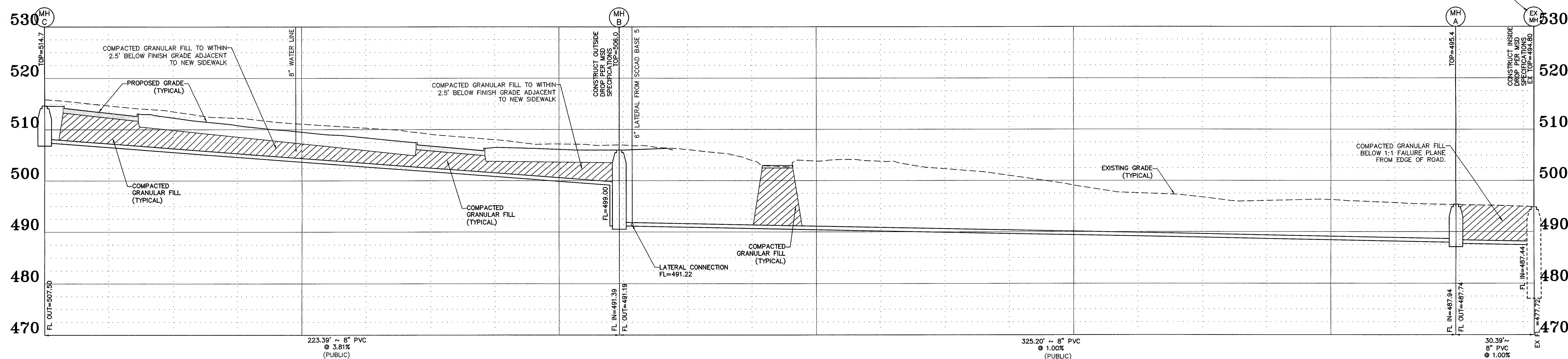
STORM SEWER PROFILE
 HORIZONTAL SCALE: 1"=20'
 VERTICAL SCALE: 1"=10'

BAX PROJECT NAME : Base 5
 BAX PROJECT NO. : 11214G
 DESIGN DATE :
 DESIGNED BY :
 SUBMITTED: FILENAME: 11214G

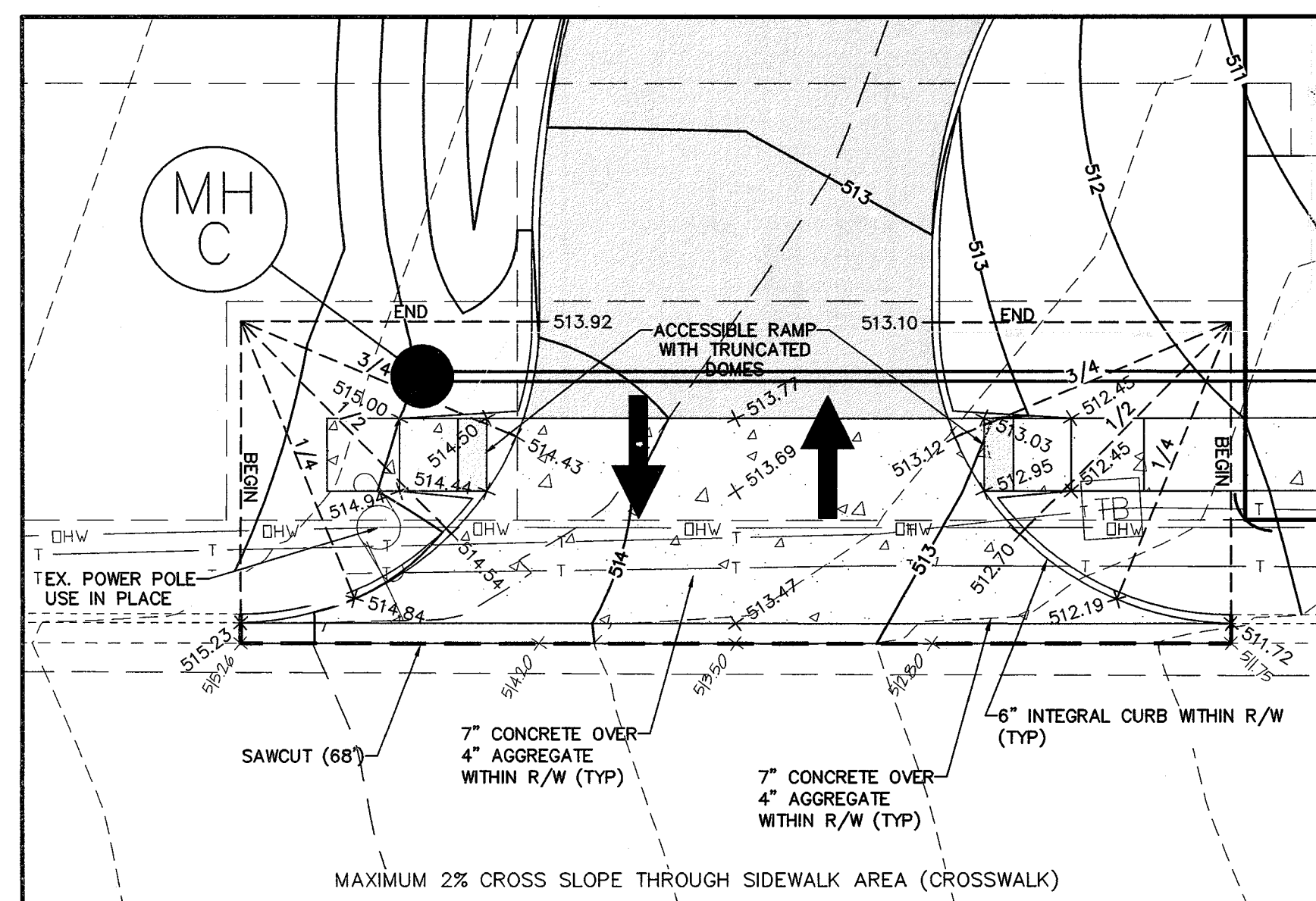
UPP STR	LOW STR	L DIA	UPPER FL LN	LOWER FL LN	PS	UPPER ST EL	DEPTH HY GR	UPPER HY EL	LOWER HY EL	HYDR GRADE	FR HEAD	VEL	VEL HEAD	JUNC LOSS	TURN LOSS	CURVE LOSS	STR GRADE	INL CAP	DR AREA	PI	Q	TQ	PIPE CAP	LINE NUMBER	REMARKS
OS101	FE100	72	12	498.90	488.10	15.00	507.61	8.47	499.14*	489.10	.00280	0.20	2.38	0.09	0.09	0.00	0.00	0.00	0.00	0.00	0.00	1.87	13.80	1	489.10
CI201	MH200	12	12	500.50	500.37	1.08	506.73	4.36	502.37	502.33	.00110	0.01	1.49	0.03	0.03	0.00	0.00	0.00	0.00	0.00	0.00	1.17	3	2	502.33



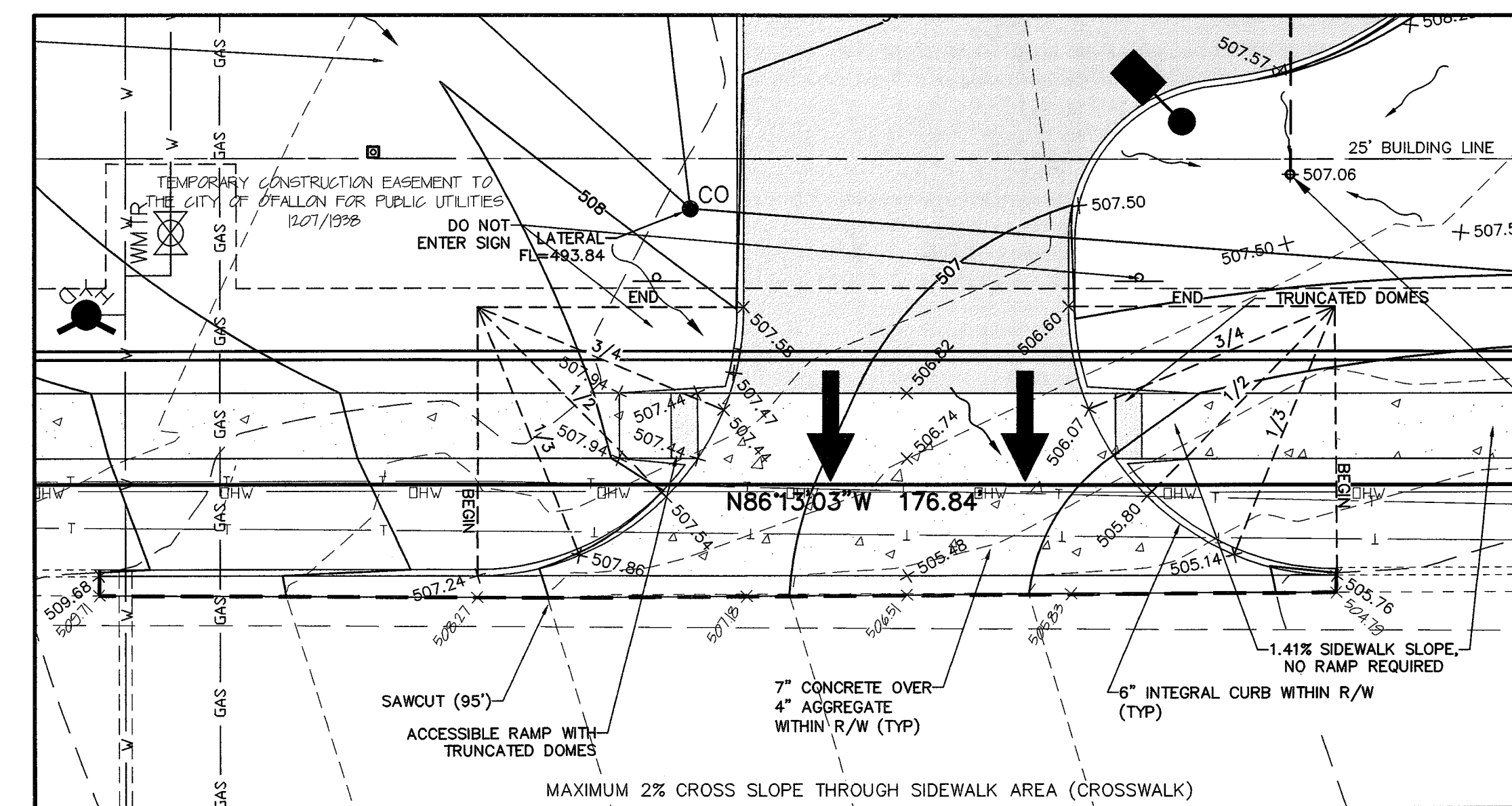
STORM SEWER PROFILE
 HORIZONTAL SCALE: 1"=20'
 VERTICAL SCALE: 1"=10'



SANITARY SEWER PROFILE
 HORIZONTAL SCALE: 1"=20'
 VERTICAL SCALE: 1"=10'



WEST ENTRANCE DETAIL
 HORIZONTAL SCALE: 1"=10'



EAST ENTRANCE (EXIT ONLY) DETAIL
 HORIZONTAL SCALE: 1"=10'

PROJECT TITLE:
 SCCAD BASE 5
 8430 MEXICO RD.
 ST. PETERS, MO. 63376



DISCLAIMER OF RESPONSIBILITY
 I hereby specify that the documents intended to be authorized by my seal are limited to this sheet, and I hereby disclaim any responsibility for all other drawings, specifications, estimates, reports or other documents or information relating to or intended to be used for the project. I warrant the architectural or engineering work shown on this drawing to be the work of me or under my direct supervision and control.

LARRY D. WALKER
 CIVIL ENGINEER
 2007020343

Copyright 2017
 Bax Engineering Company, Inc.
 Engineering Authority No. 000655
 Surveying Authority No. 000144
 All Rights Reserved

REVISIONS

5-10-17	CITY SUBMITTAL
6-9-17	BID SET
7-18-17	CITY COMMENTS

Developer / Owner:
 ST. CHARLES COUNTY AMBULANCE DISTRICT
 4169 OLD MILL PARKWAY
 ST. PETERS, MISSOURI 63376

PROFILES AND ENTRANCE DETAILS

P+Z No. #1302.15.01
 approved (5-5-2016)
 extension (7-6-17)

City No. #17-003492