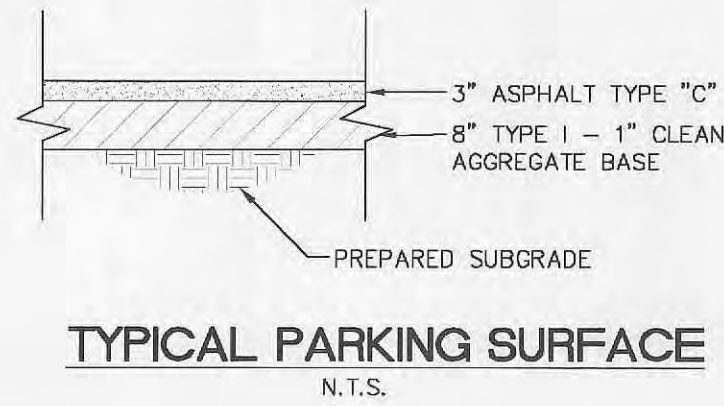
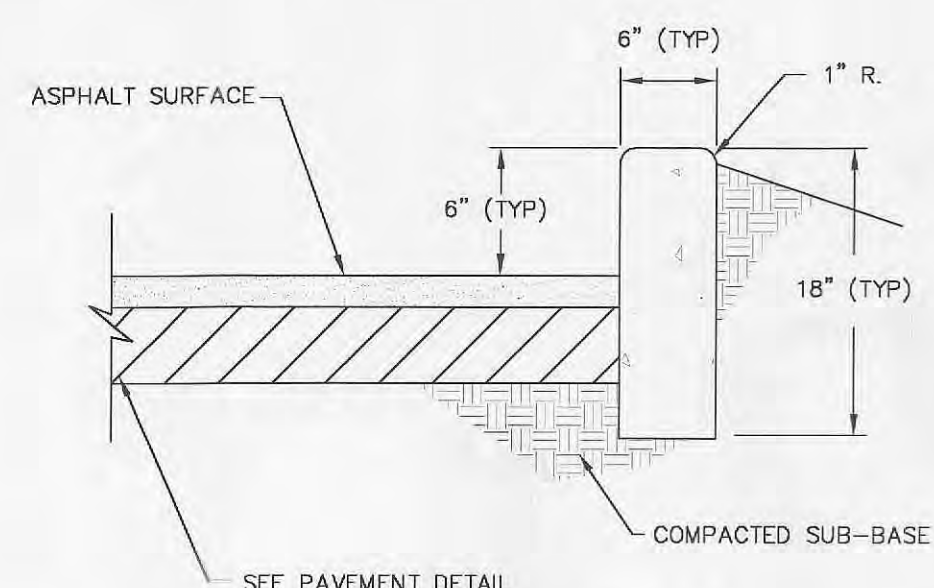


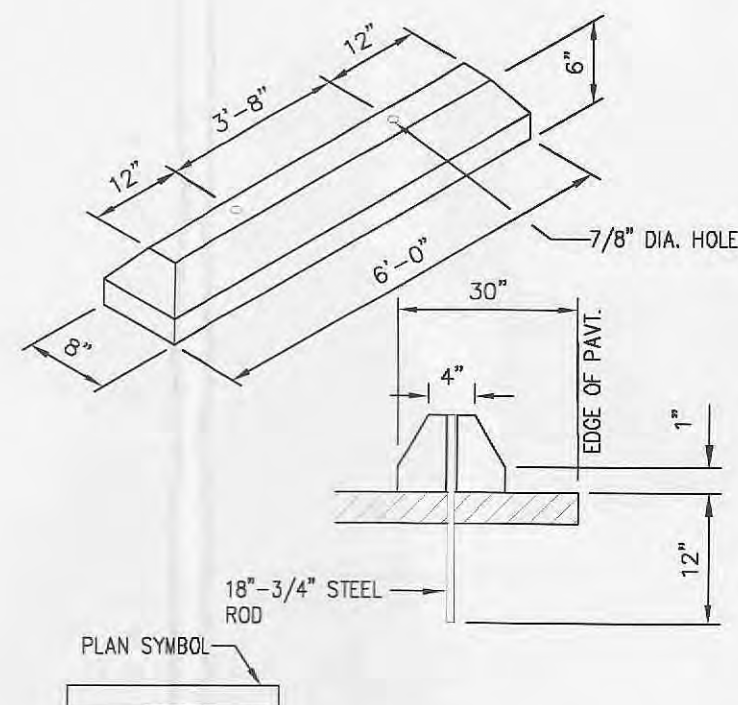
FILTER STRIP DETAIL
N.T.S.



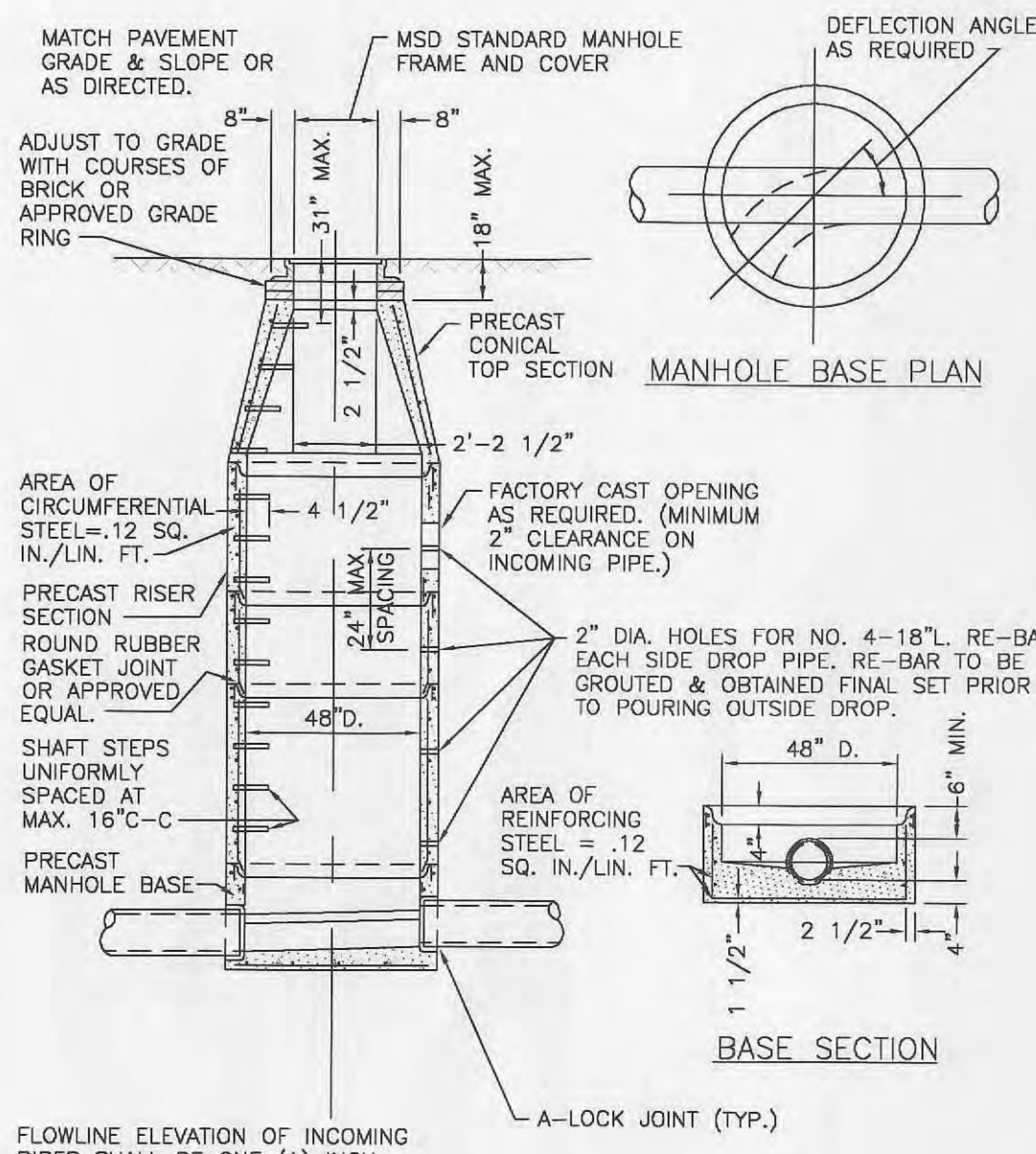
TYPICAL PARKING SURFACE
N.T.S.



VERTICAL CONC. CURB
N.T.S.

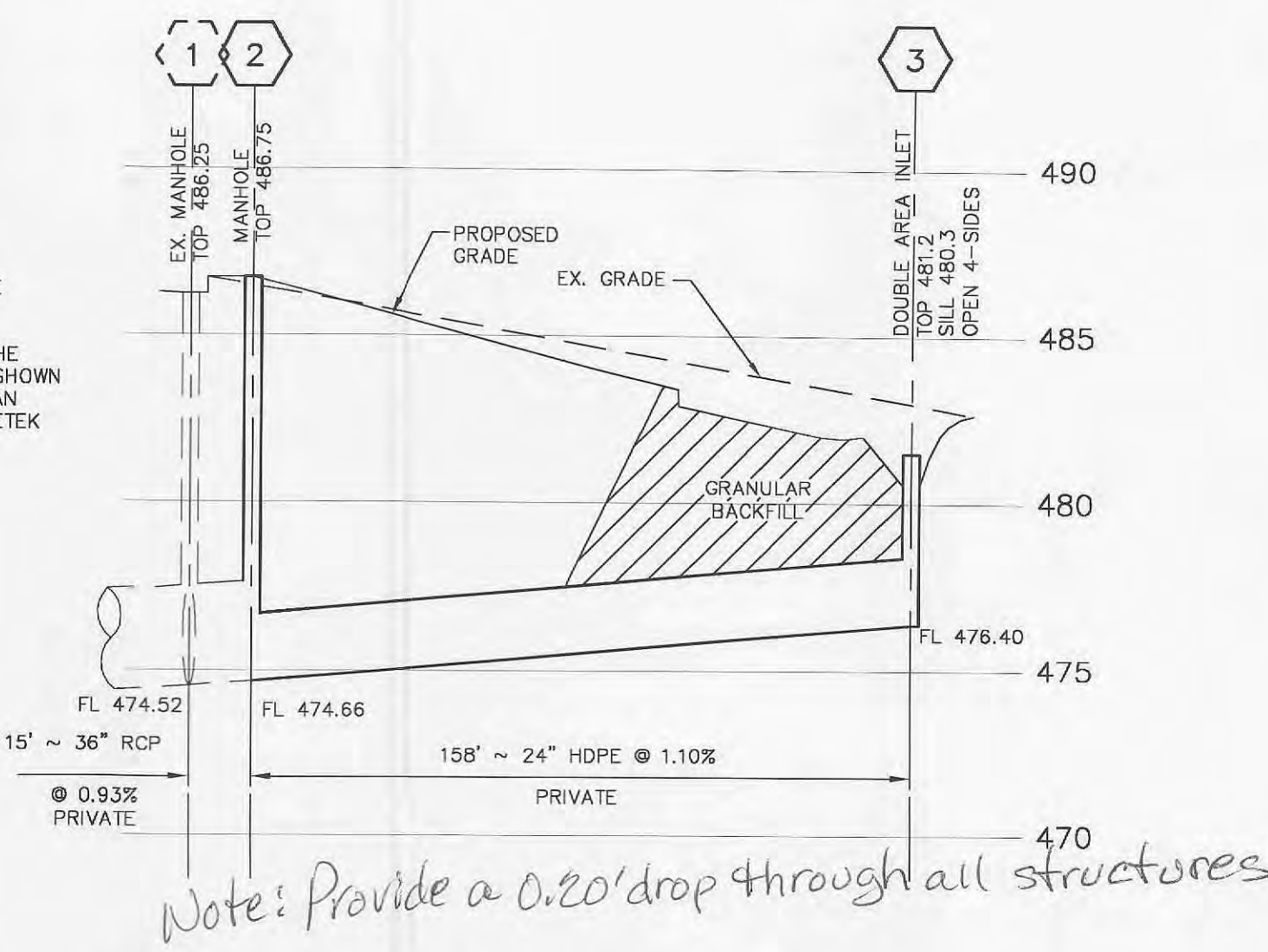


CONC. STOP BLOCK DETAIL
N.T.S.



PRE-CAST CONCRETE MANHOLE
N.T.S.

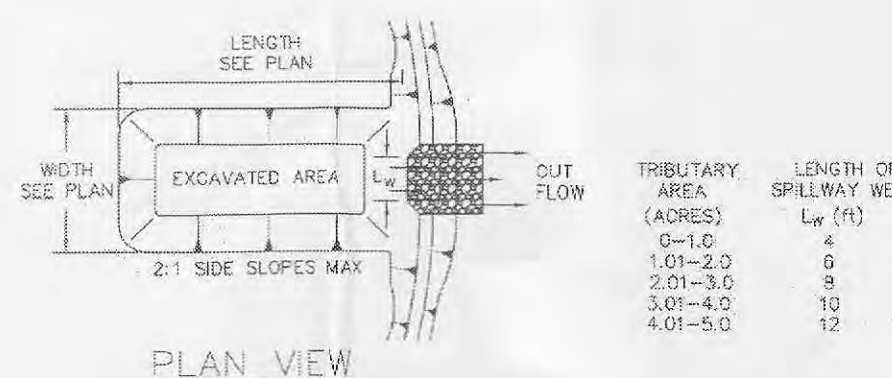
NOTES:
ALL PIPE JOINTS SHALL BE GASKETED O-RING TYPE.
PROVIDE A MARKING ON THE STORM SEWER INLETS AS SHOWN IN THE TABLE BELOW OR AN APPROVED EQUAL BY ALMETEK INDUSTRIES.



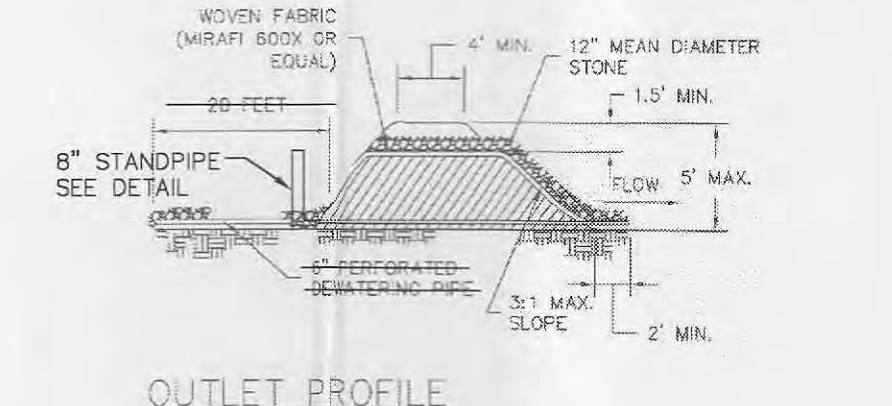
STORM SEWER INLET MARKER TABLE

MANUFACTURER	SIZE	ADHESIVE	STYLE	MESSAGE (PART #)	WEB SITE
ACP INTERNATIONAL	3 7/8"	EPOXY	CRYSTAL CAP	NO DUMPING DRAINS TO WATERWAYS (SD-W-CC)	WWW.ACPINTERNATIONAL.COM
DAS MANUFACTURING, INC.	4"	EPOXY	STANDARD STYLE	NO DUMPING DRAINS TO STREAM (#SDS)	WWW.DASMANUFACTURING.COM

Note: Provide a 0.20' drop through all structures

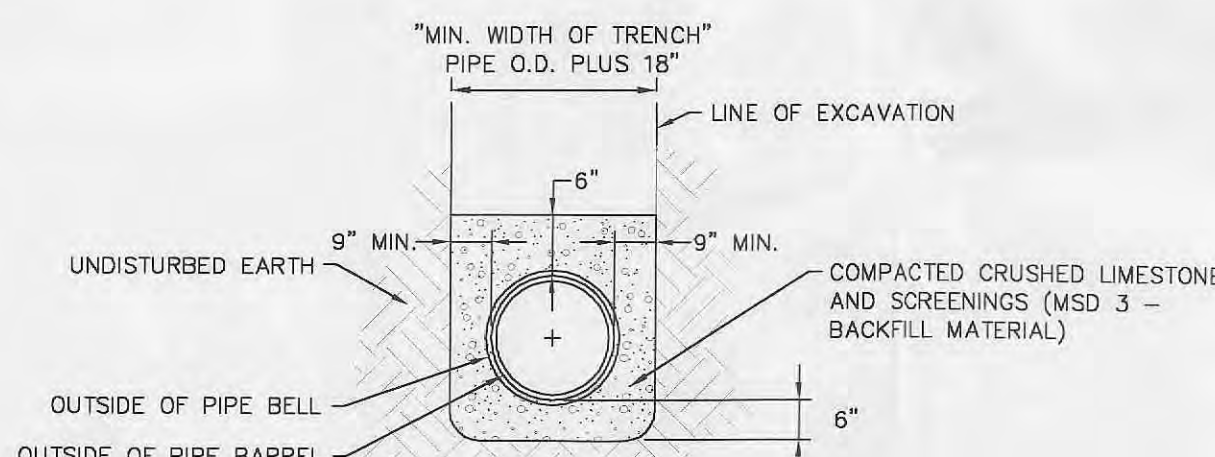


PLAN VIEW



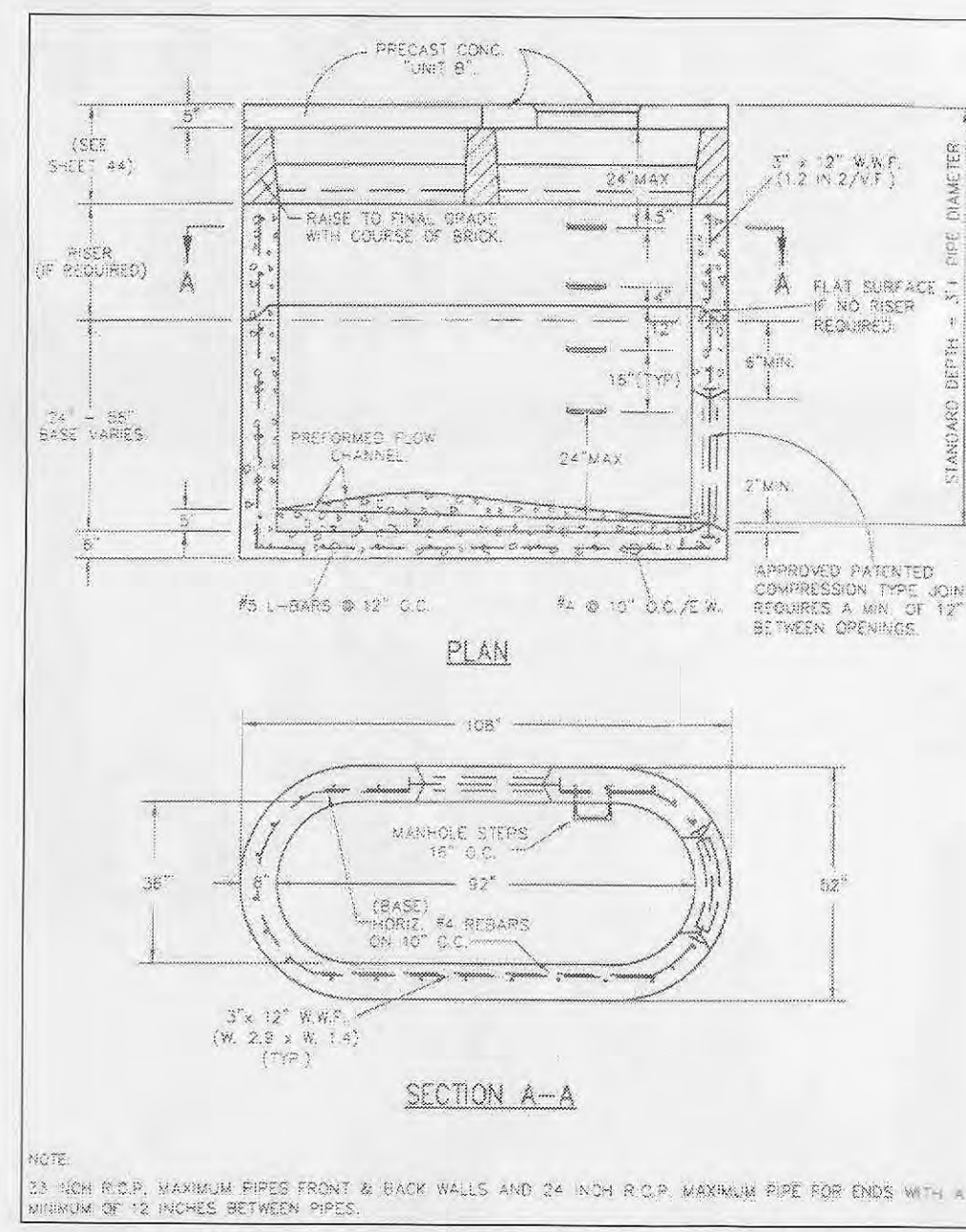
OUTLET PROFILE

SEDIMENT TRAP DETAIL
N.T.S.

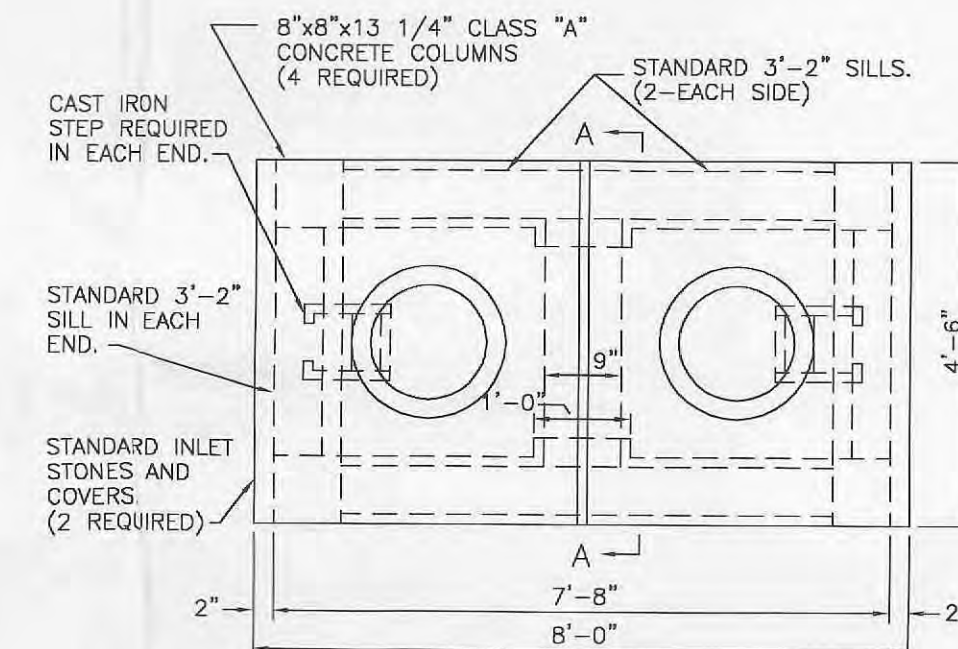


PIPE BEDDING DETAIL
N.T.S.

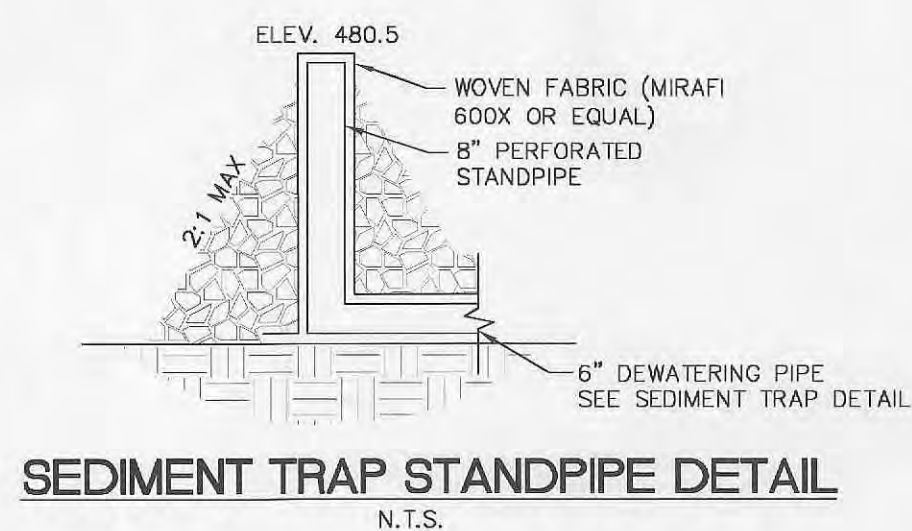
- NOTES:
- CHECK GRADE OF PIPE AFTER COMPACTION TO INSURE THE DESIRED FLOWLINE HAS NOT CHANGED
 - COMPACT BACKFILL IN 6" (MAX) LIFTS
 - ANY TRENCH BRACING USED BELOW THE TOP OF PIPE SHALL BE LEFT IN PLACE
 - FOR INSTALLATION IN HIGHLY ORGANIC OR OPENLY FLOWING SOILS, THE ENTIRE PERIMETER OF THE PIPE BEDDING SHALL BE WRAPPED WITH AN APPROVED FILTER FABRIC OR THE "MINIMUM TRENCH WIDTH" SHALL BE EXPANDED BY INCREASING THE DISTANCE BETWEEN THE SIDE OF THE PIPE AND THE LINE OF ACTUAL EXCAVATION OR TRENCH BRACING TO A MINIMUM OF ONE PIPE DIAMETER



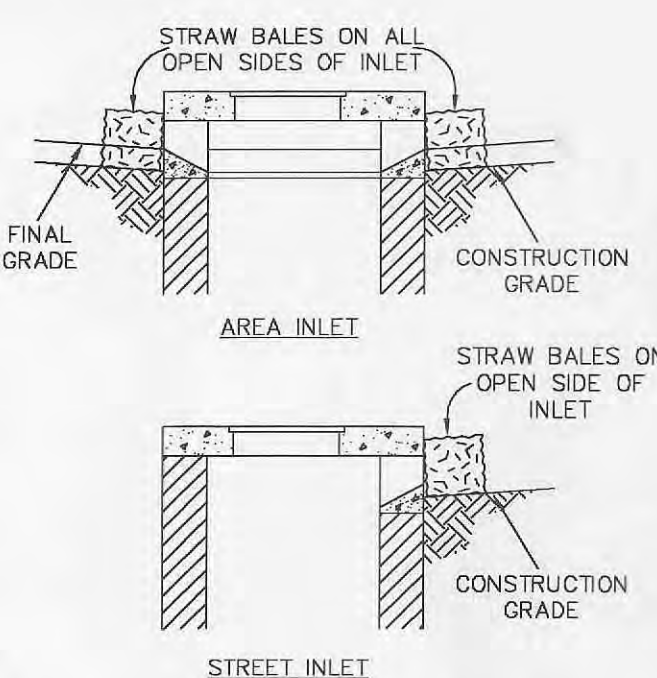
DOUBLE AREA INLET PRE-CAST BASE
N.T.S.



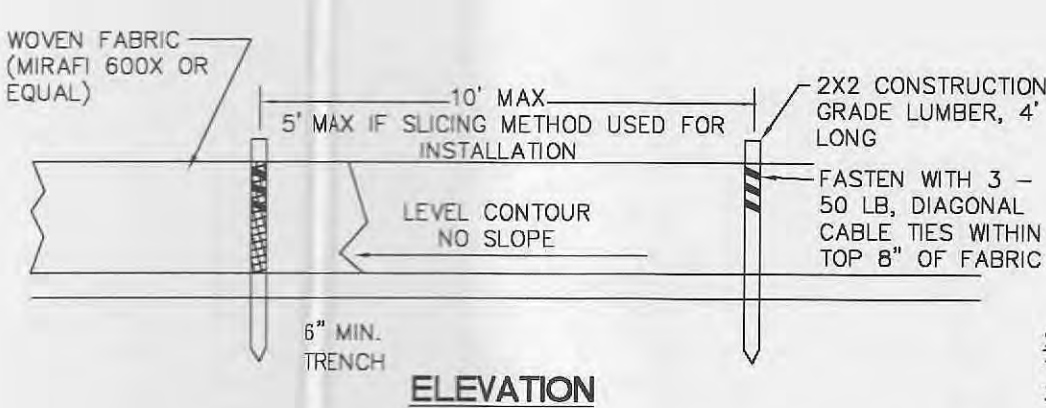
DOUBLE AREA INLET PRE-CAST COVER
N.T.S.



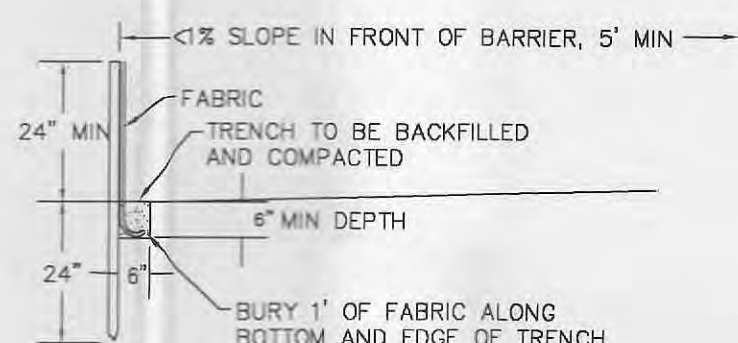
SEDIMENT TRAP STANDPIPE DETAIL
N.T.S.



STORM STRUCTURE SILTATION CONTROL
N.T.S.



ELEVATION



SECTION

NOTE: IF FABRIC IS INSTALLED BY EQUIPMENT DESIGNED TO SLICE INTO THE GROUND, THE TRENCH IS NOT NEEDED

SILT FENCE DETAIL
N.T.S.

MAXIMUM SPACING ALONG SLOPES

3:1 SLOPES	30' FENCE TO FENCE
3:1 TO 10:1 SLOPES	50' FENCE TO FENCE
SLOPES <10%	100' FENCE TO FENCE

SPECIES	SEEDING RATES		PLANT CHARACTERISTICS
	LBS/1000 SF	LBS/AC	
CATS	2	80	NOT COLD TOLERANT, HEIGHT UP TO 3 FEET
CEREALS: RYE/WHEAT	2/2.5	80/120	COLD TOLERANT, HEIGHT UP TO 3 FEET, LOW PH TOLERANCE
ANNUALS: SUDANGRASS	1/1.25	45/80	WARM SEASON ANNUAL, AGGRESSIVE GROWTH, HEIGHT UP TO 5 FEET
ANNUAL RYEGRASS	2	75	MAY BE ADDED TO MIX, NOT HEAT TOLERANT, HEIGHT UP TO 16 INCHES
TALL FESCUE	1.5	80	LOW PH TOLERANT, HEIGHT UP TO 5 FEET
ANNUAL LESPEDEZZA PLUS TALL FESCUE	0.5 + 1	15 + 45	WARM SEASON ANNUAL LEGUME, MAKES OWN NITROGEN, TOLERATES LOW PH

SPECIES	SEEDING DATES (OPTIMUM & ACCEPTABLE)											
	JAN	FEB	MAR	APR	MAY	JUN	JUL	AUG	SEP	OCT	NOV	DEC
CATS												
CEREALS: RYE/WHEAT												
ANNUALS: SUDANGRASS												
ANNUAL RYEGRASS												
TALL FESCUE												
ANNUAL LESPEDEZZA PLUS TALL FESCUE												

TABLE KEY: OPTIMUM SEEDING DATE (SHADING), ACCEPTABLE SEEDING DATE (DOTTING)

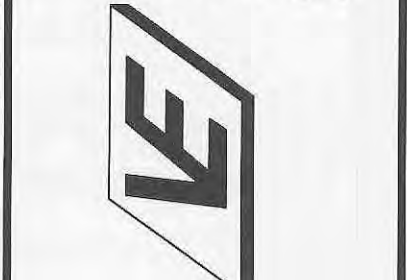
TEMPORARY SEEDING



MAY 10 2007
MICHAEL A. VANCE
LICENSE NO. 152810
REGISTERED PROFESSIONAL ENGINEER
STATE OF MISSOURI

AC TRUCKING
#2 COMMERCE DR
O'FALLON, MO 63366
P: 636.278.5666
F: 636.278.8111

Vance Engineering, Inc.
1600 N. Warson Road
Suite 202, MO 63132
St. Louis, MO 63132
P: 314.427.1800
F: 314.427.1801



AC TRUCKING, INC.
REVISED
5-8-07 CITY COMMT'S
4-20-07 OWNER REV
3-9-07 CITY COMMT'S
06071

BASEMAP NO.
MSD P -
11/16/06
3 OF 4
COPYRIGHT 2006



NOTICE TO CONTRACTOR
UNDERGROUND FACILITIES, STRUCTURES AND UTILITIES HAVE BEEN PLOTTED FROM AVAILABLE RECORDS. THEREFORE, THE LOCATIONS OF ANY UNDERGROUND FACILITIES SHOWN HEREON MUST BE CONSIDERED APPROXIMATE. PRIOR TO BEGINNING WORK ON THE SITE, IT IS THE RESPONSIBILITY OF THE CONTRACTOR TO DETERMINE THE EXACT LOCATION OF THESE FACILITIES, ALONG WITH ANY IN EXISTENCE THAT ARE NOT SHOWN; TO VERIFY THAT MINIMUM CLEARANCES AND COVER REQUIREMENTS BETWEEN THE EXISTING FACILITIES AND THE PROPOSED WORK WILL BE MET.