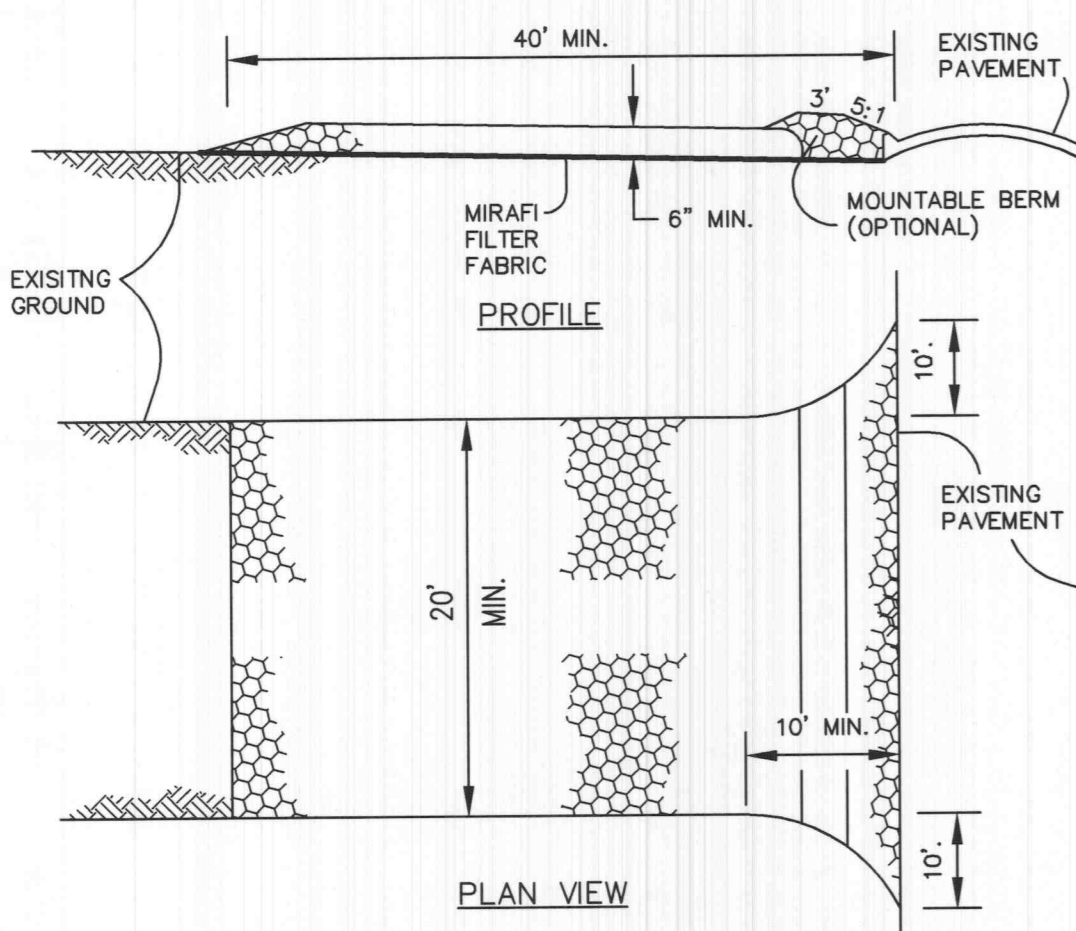
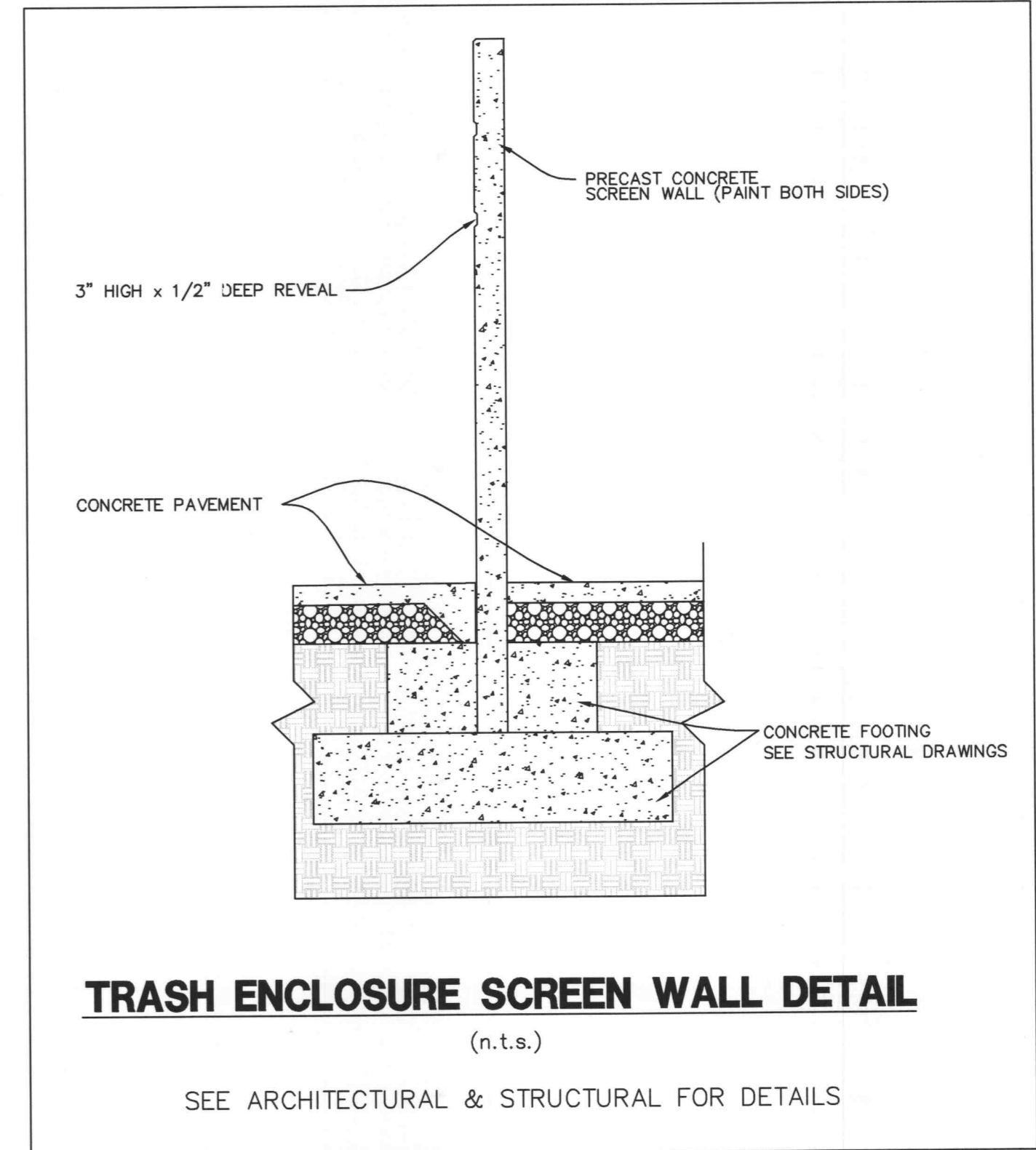
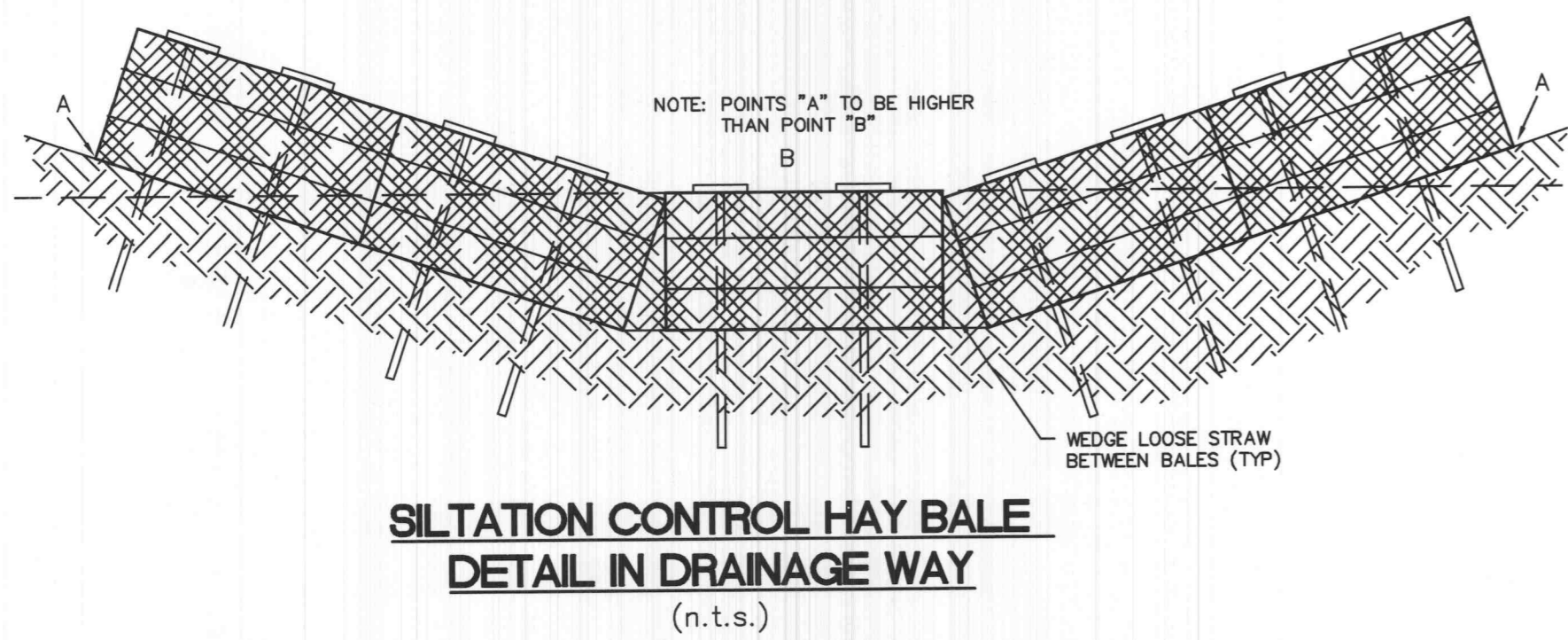
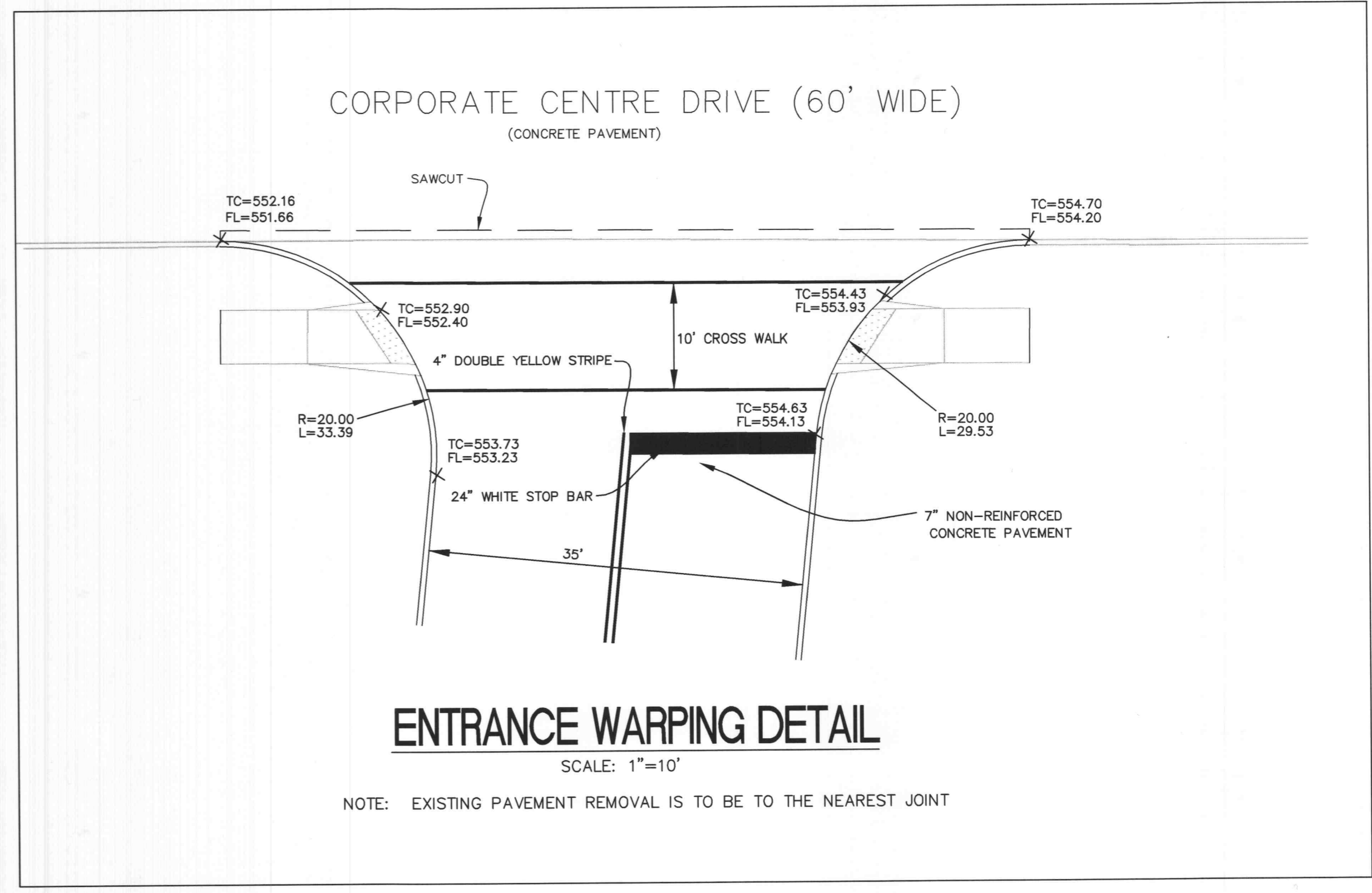
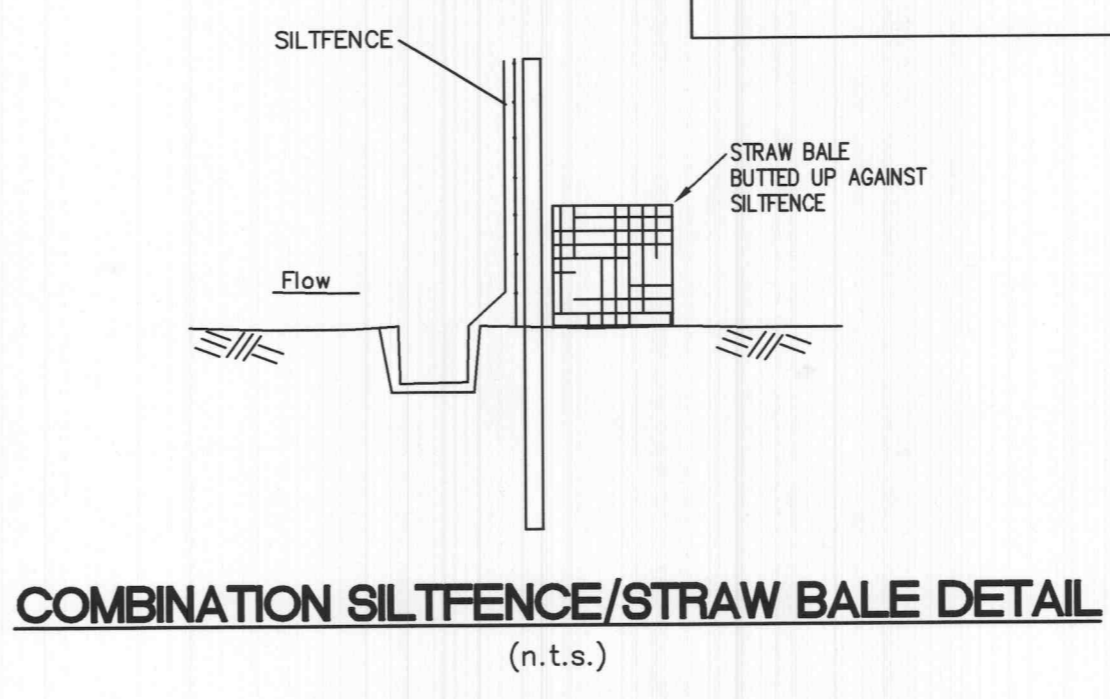
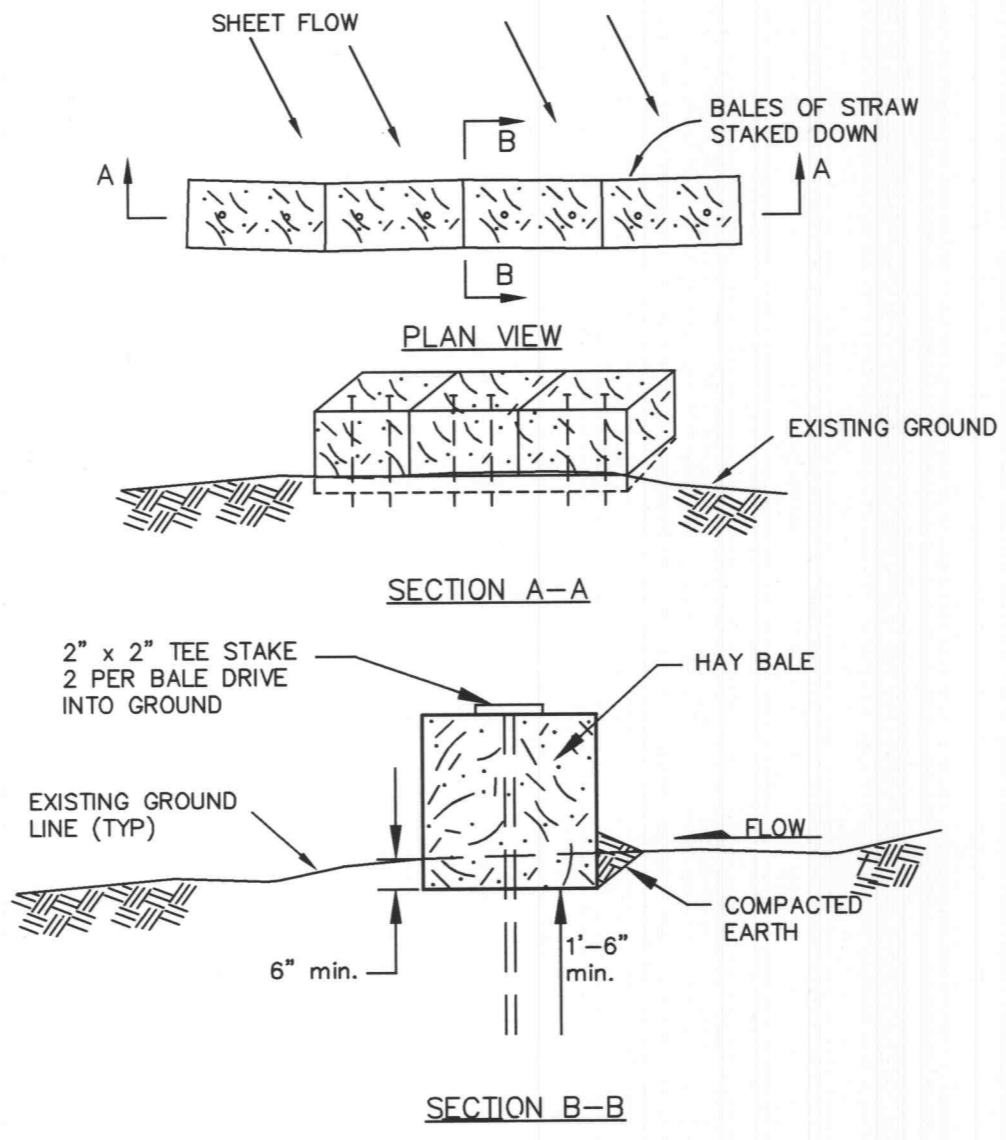
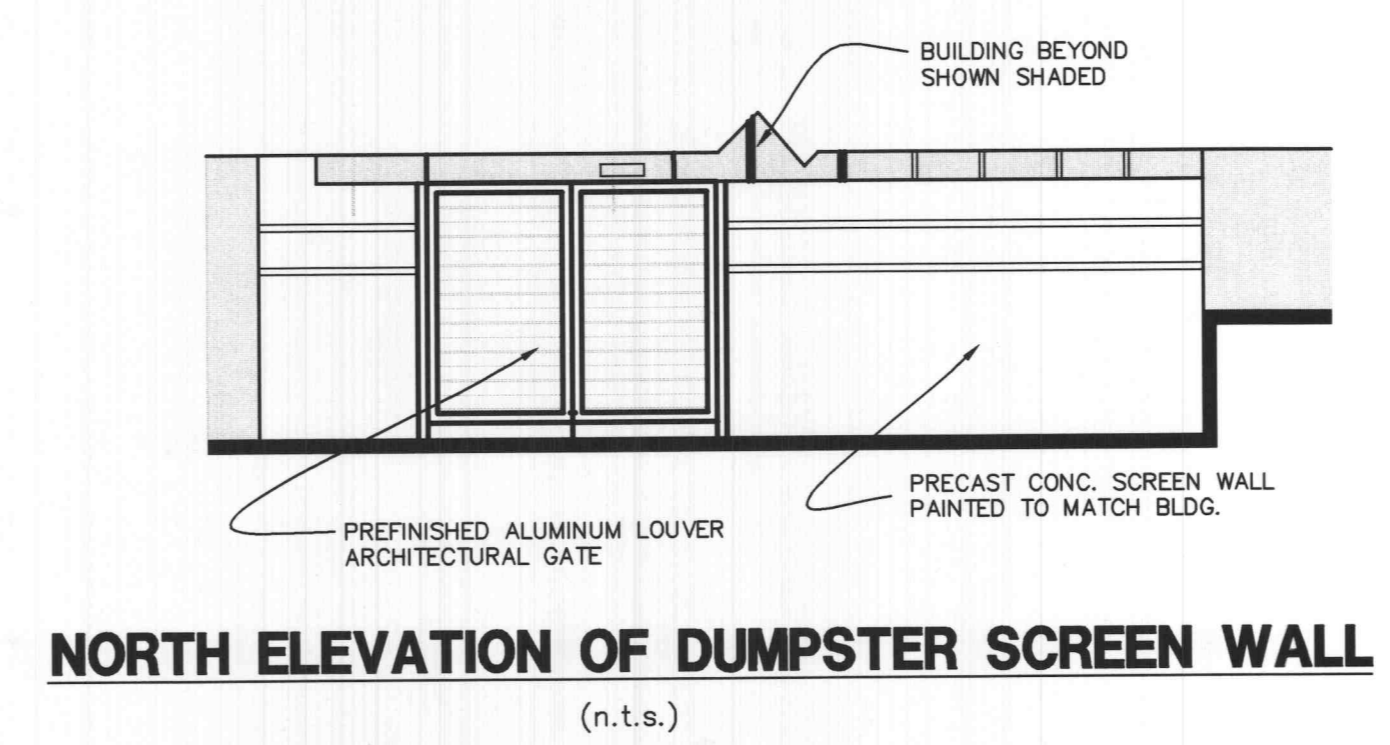
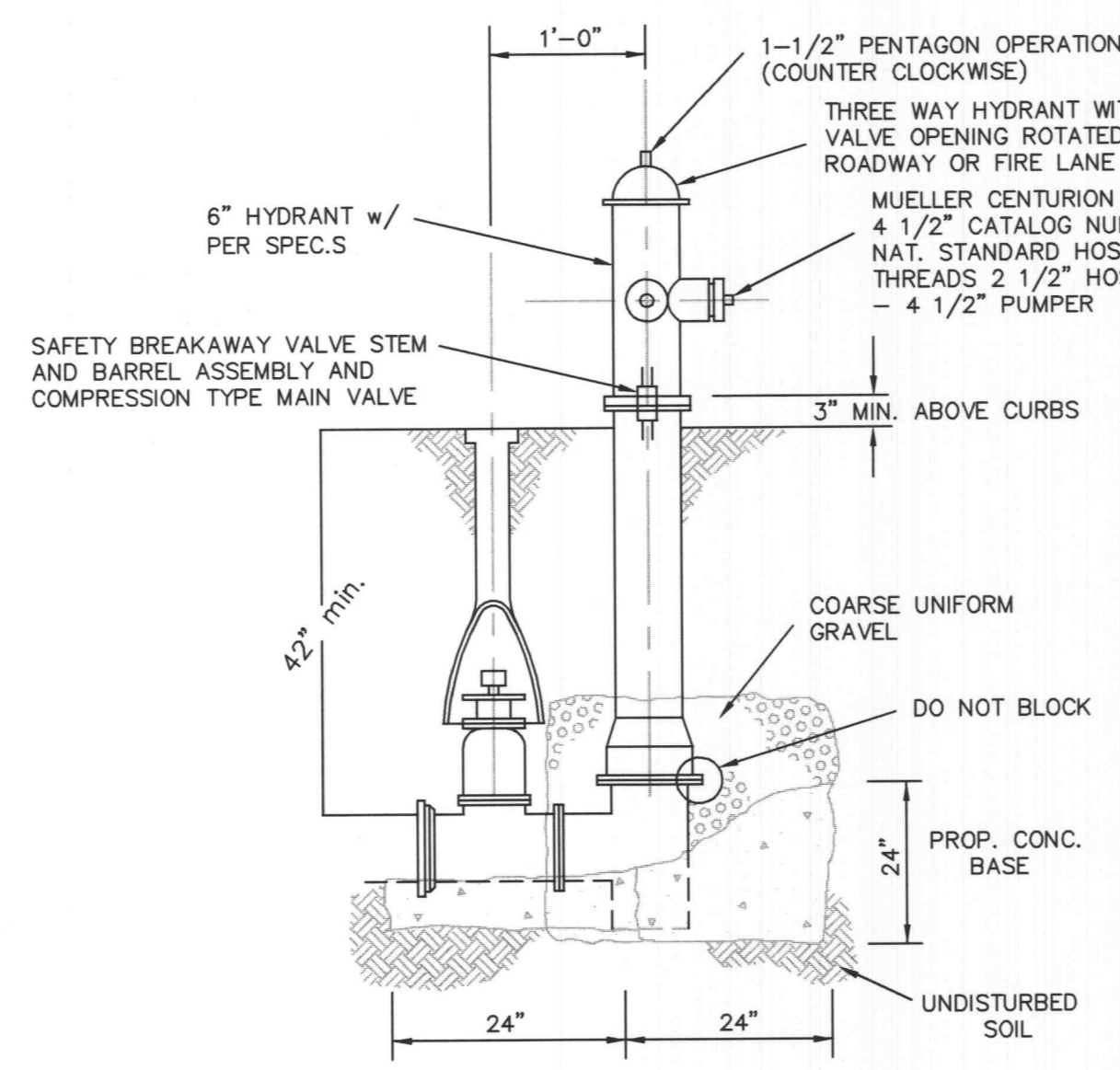


- GENERAL NOTES:**
1. SILTATION CONTROL DEVICES TO REMAIN IN PLACE UNTIL ADEQUATE VEGETATIVE GROWTH INSURES NO FURTHER EROSION OF THE SOIL.
  2. SILTATION FENCES SHALL BE INSPECTED PERIODICALLY FOR DAMAGE AND FOR THE AMOUNT OF SEDIMENT WHICH HAS ACCUMULATED. REMOVAL OF SEDIMENT WILL BE REQUIRED WHEN IT REACHES 1/2 OF THE HEIGHT OF THE SILTATION FENCE.
  3. STRAW BALES SHALL BE INSPECTED PERIODICALLY FOR DETERIORATION. BALES WHICH HAVE ROLLED OR FAILED SHALL BE REPLACED.
  4. ATTACHMENT OF GEOTEXTILE FABRIC TO BE IN ACCORDANCE WITH THE MANUFACTURER'S RECOMMENDATION.



- NOTES:**
1. STONE SIZE - USE 2" STONE, OR RECLAIMED OR RECYCLED CONCRETE EQUIVALENT.
  2. MAINTENANCE - THE ENTRANCE SHALL BE MAINTAINED IN A CONDITION WHICH WILL PREVENT REQUIRE PERIODIC TOP DRESSING WITH ADDITIONAL STONE AS CONDITIONS DEMAND AND REPAIR TRACKING OR FLOWING OF SEDIMENT INTO PUBLIC RIGHT-OF-WAY. THIS MAY AND/OR CLEANOUT OF ANY MEASURES USED TO TRAP SEDIMENT, PUBLIC RIGHT-OF-WAY. WHEN WASHING IS REQUIRED, IT SHALL BE DONE ON AN AREA STABILIZED.
  3. WASHING - WHEELS SHALL BE CLEANED TO REMOVE SEDIMENT PRIOR TO ENTRANCE INTO WITH STONE.
  4. PERIODIC INSPECTION AND NEEDED MAINTENANCE SHALL BE PROVIDED AFTER EACH RAIN.



- △ - 06/09/06 REVISED AmerenUE COMMENTS.
- △ - 05/15/06 REVISED PER SEWER DISTRICT COMMENTS. ADDED ABANDONMENT NOTES TO SHEETS C3 and C4, REVISED LATERAL STATIONING, ADDED CONCRETE ENCASUREMENT.
- △ - 05/03/06 REVISED PER CITY COMMENTS
- △ - 04/25/06 REVISED PER CITY, SEWER DISTRICT AND CLIENT COMMENTS
- △ - 03/22/06 REVISED PER CITY AND CLIENT COMMENTS

**APC LAB FACILITY**  
**WARPING AND DETAIL SHEET**

**STOCK & ASSOCIATES**  
**Consulting Engineers, Inc.**

257 Chesterfield Business Parkway  
St. Louis, MO 63005  
PH. (636) 530-9100  
FAX (636) 530-9130  
e-mail: general@stockassoc.com  
Web: www.stockassoc.com

