

BRANDON A. HARP, P.E. E-28650
PROFESSIONAL ENGINEER
CEDC LICENSE NO.: 2003004674

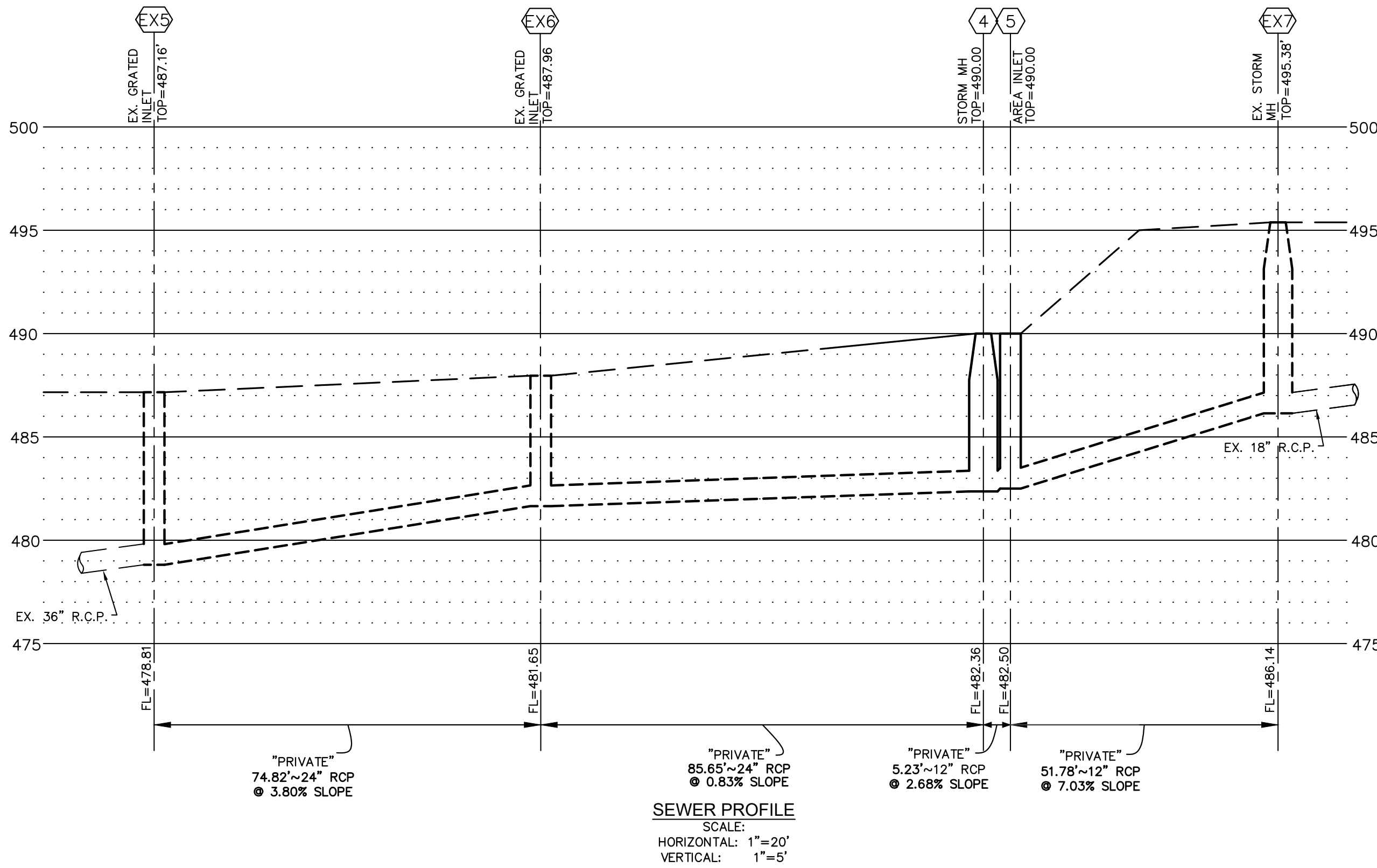
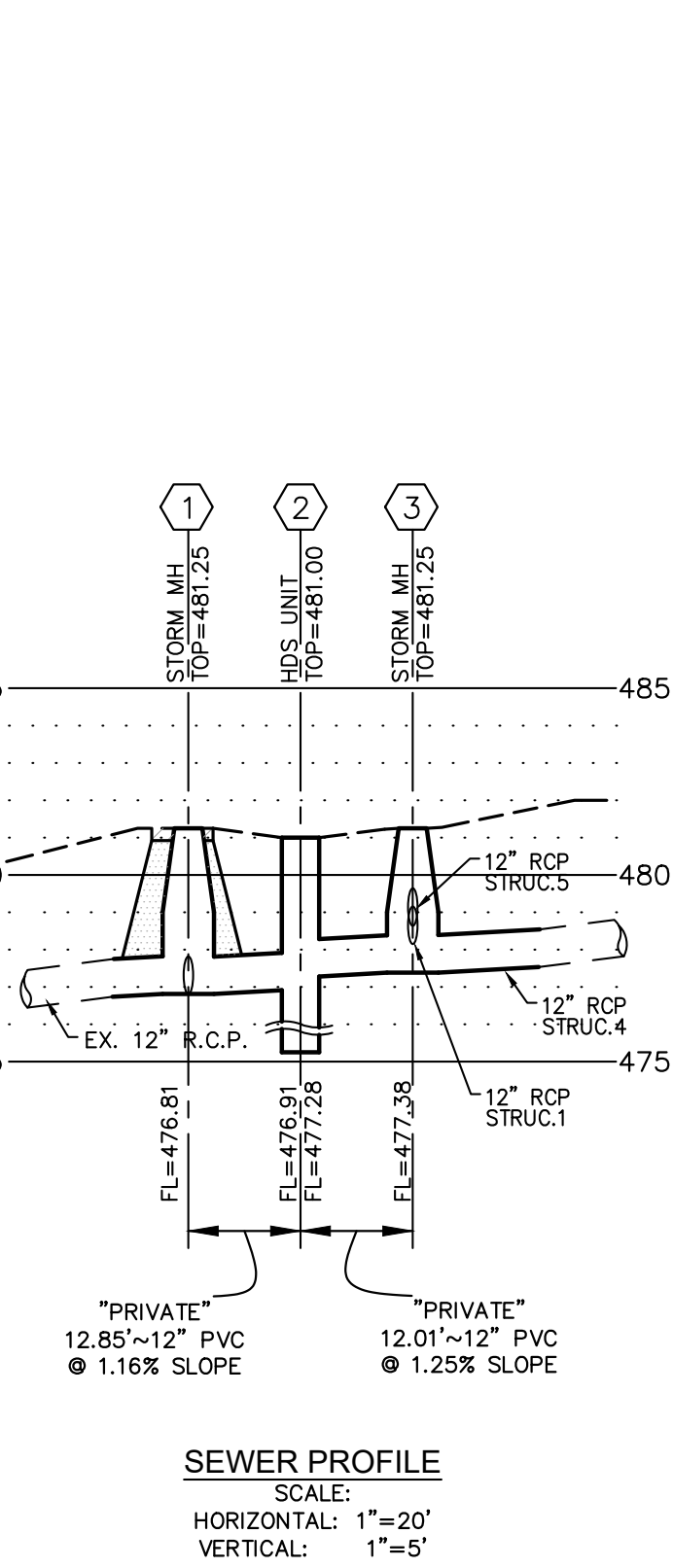
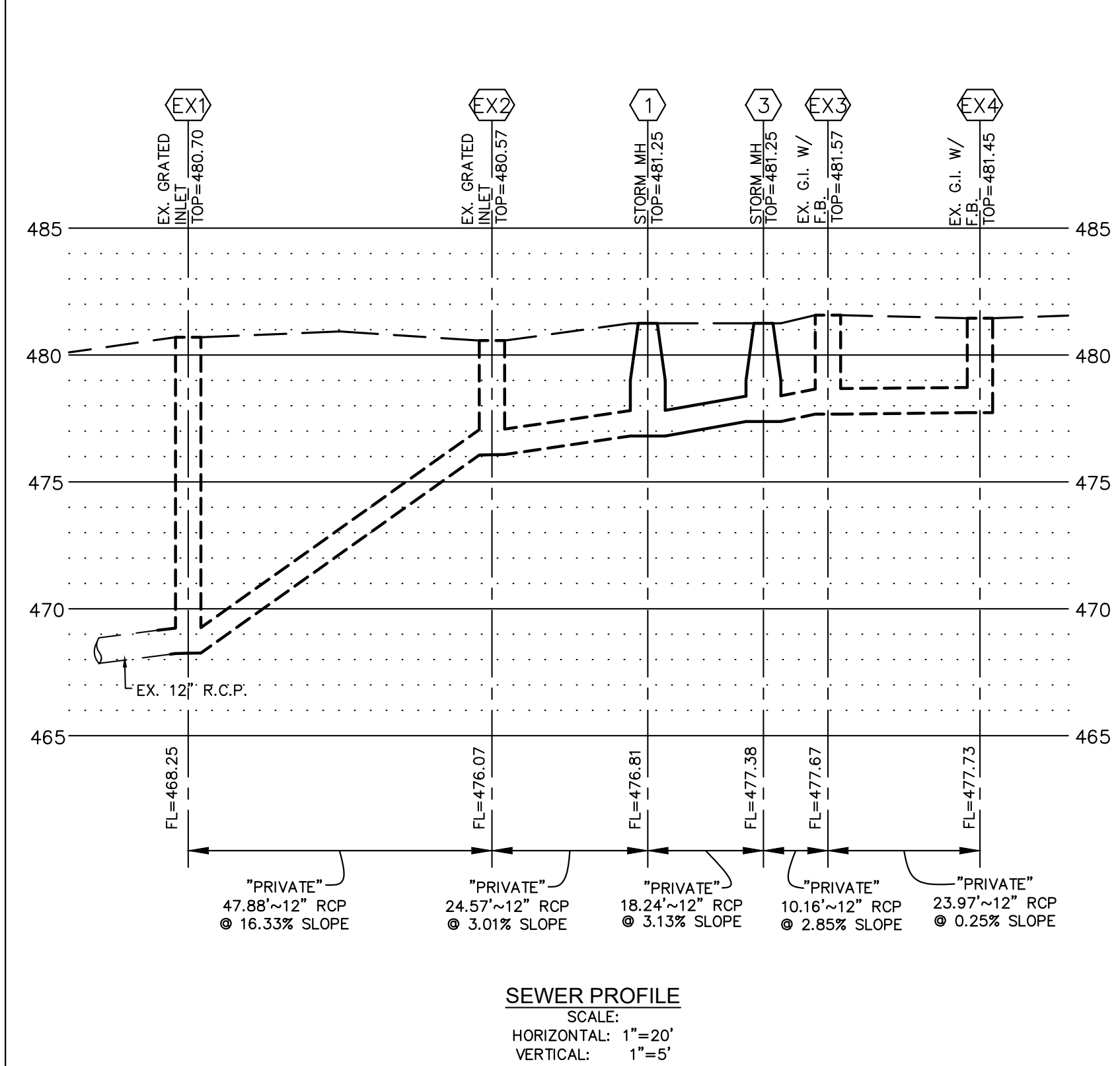
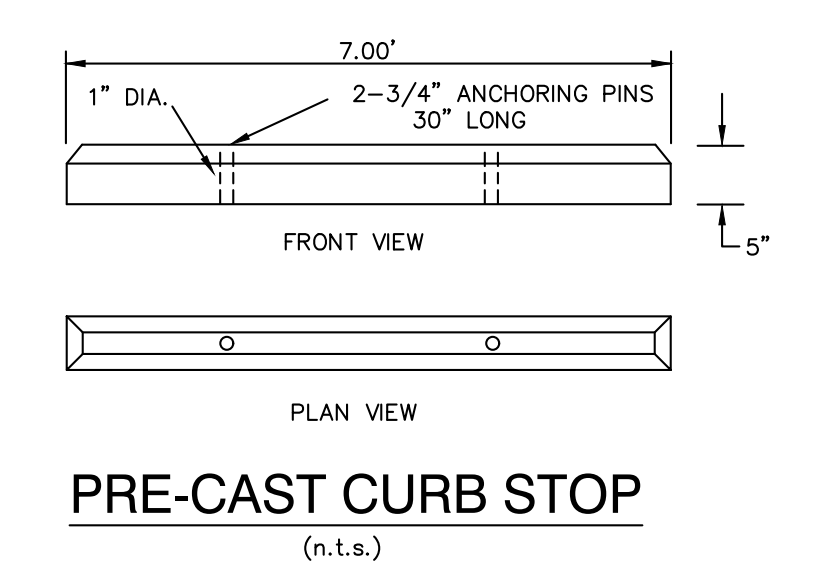
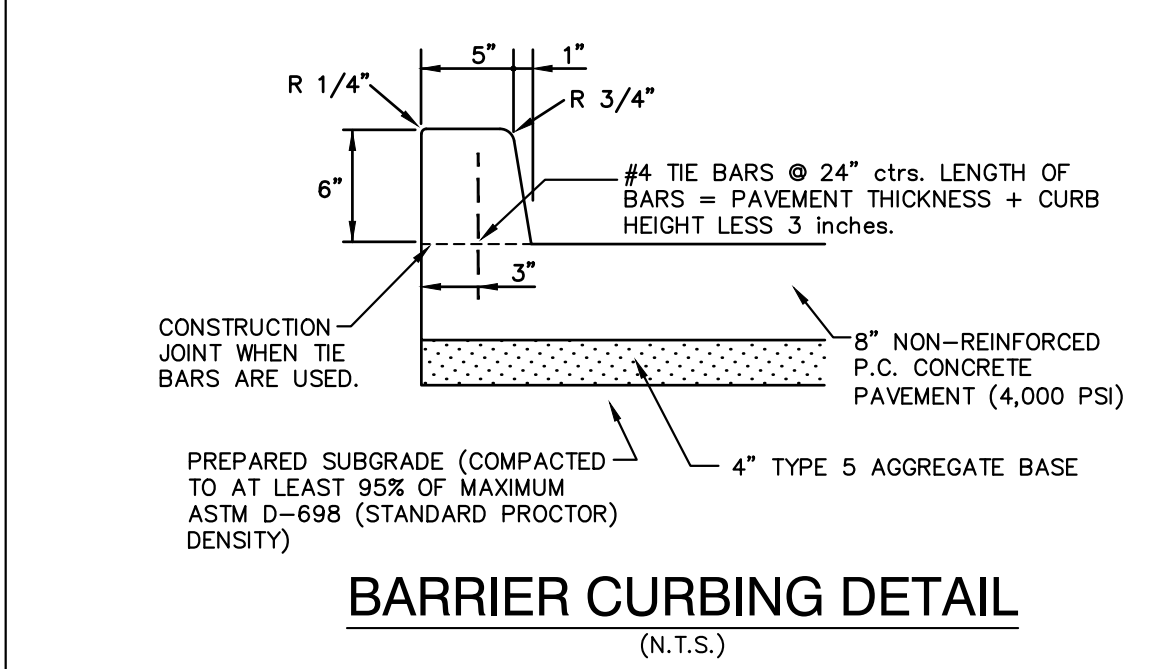
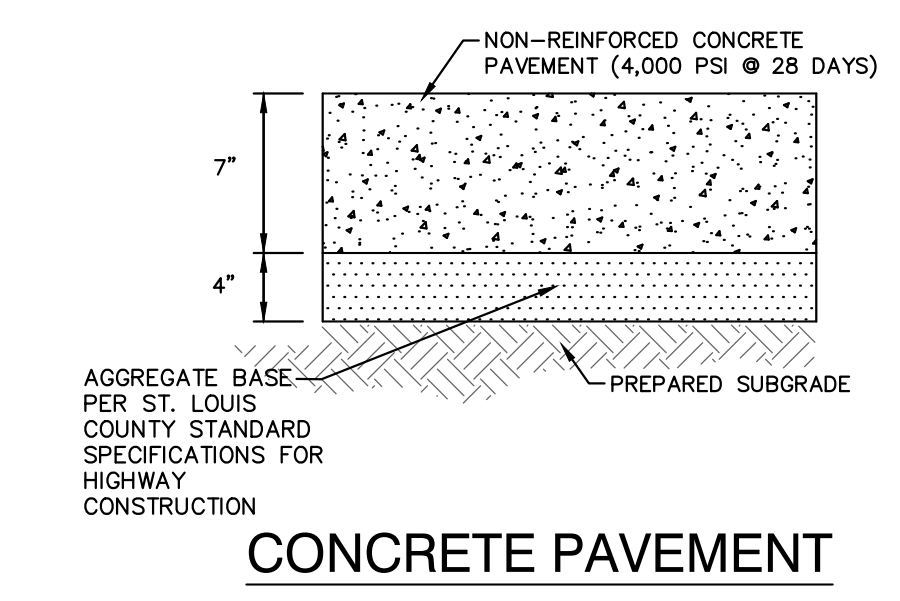
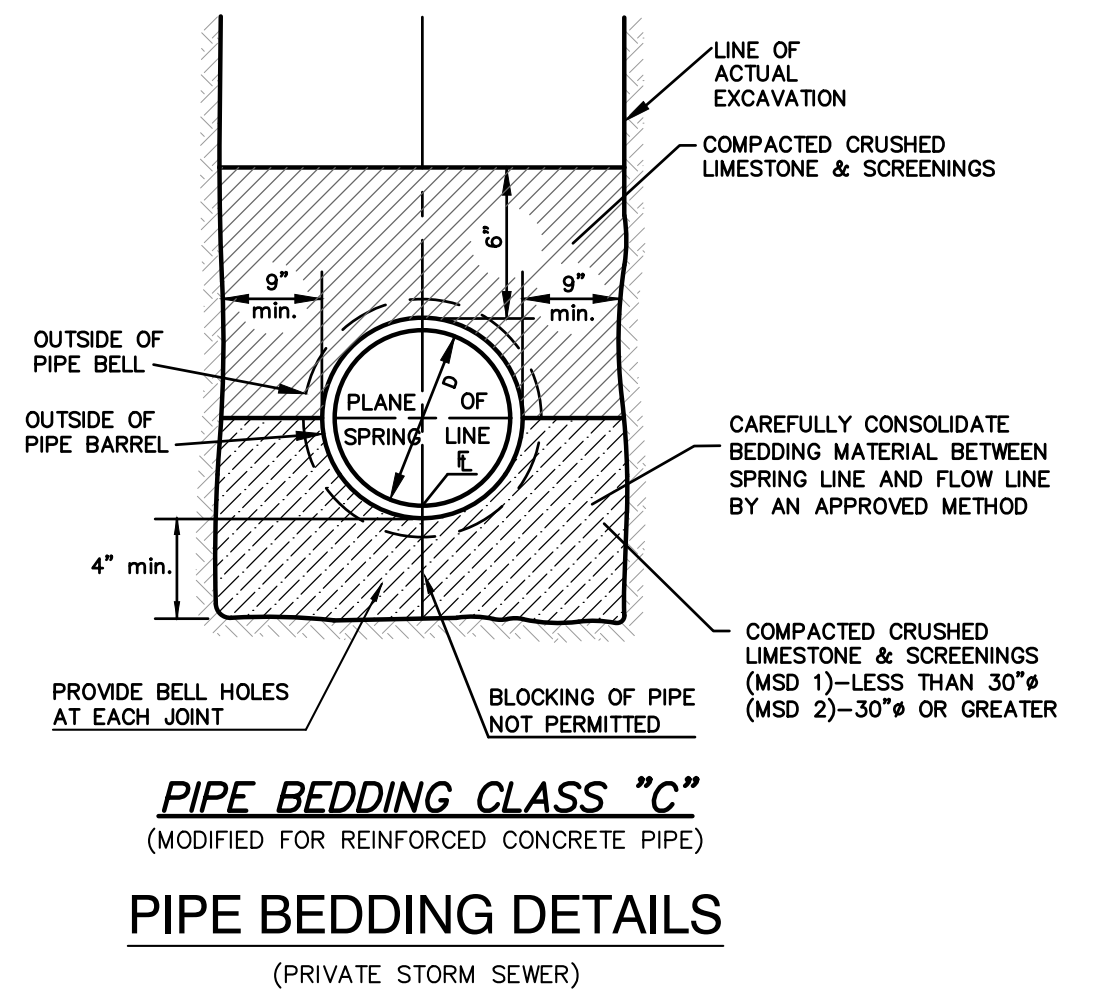
10820 Sunset Office Drive
Suite 200
Saint Louis, Missouri 63127
314-729-1400
Fax: 314-729-1404
www.cedc.net

CEDC
CIVIL ENGINEERING
DESIGN CONSULTANTS



INLET STRUCTURE MARKING

NOTE: ALL STORM SEWER INLET STRUCTURES SHALL HAVE A MARKER THAT INDICATES NO WASTE IS TO BE DUMPED, SIMILAR TO THAT SHOWN ABOVE. CIRCULAR MARKERS SHOULD BE AT LEAST 4" DIAMETER. VINYL PEEL AND STICK LABELS ARE NOT ACCEPTABLE.



Site Improvement Plans for

ALDI ~ WAREHOUSE PARKING EXPANSION

475 Pearl Drive

O'Fallon, Missouri 63376

Proj. #	1888.4
No. Description	Date
To City	07-14-23
Per City	08-16-23

SEWER PROFILES & SEWER DETAILS

C7