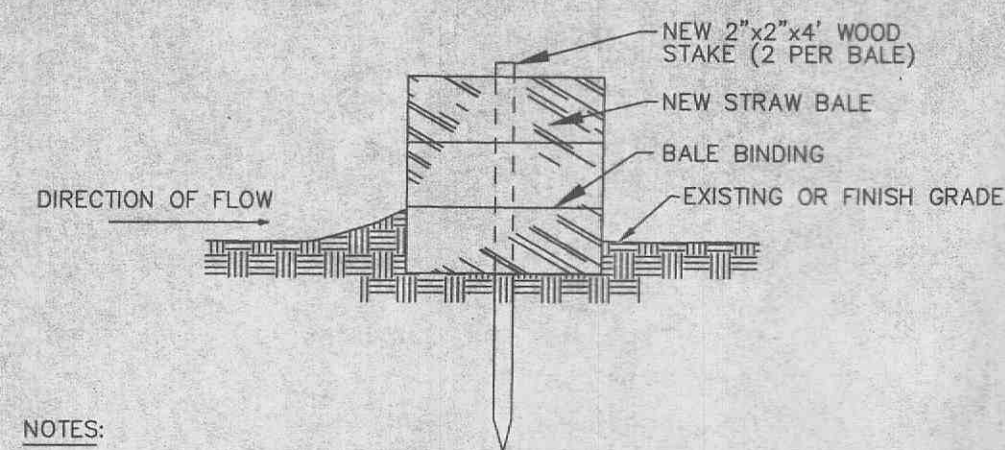
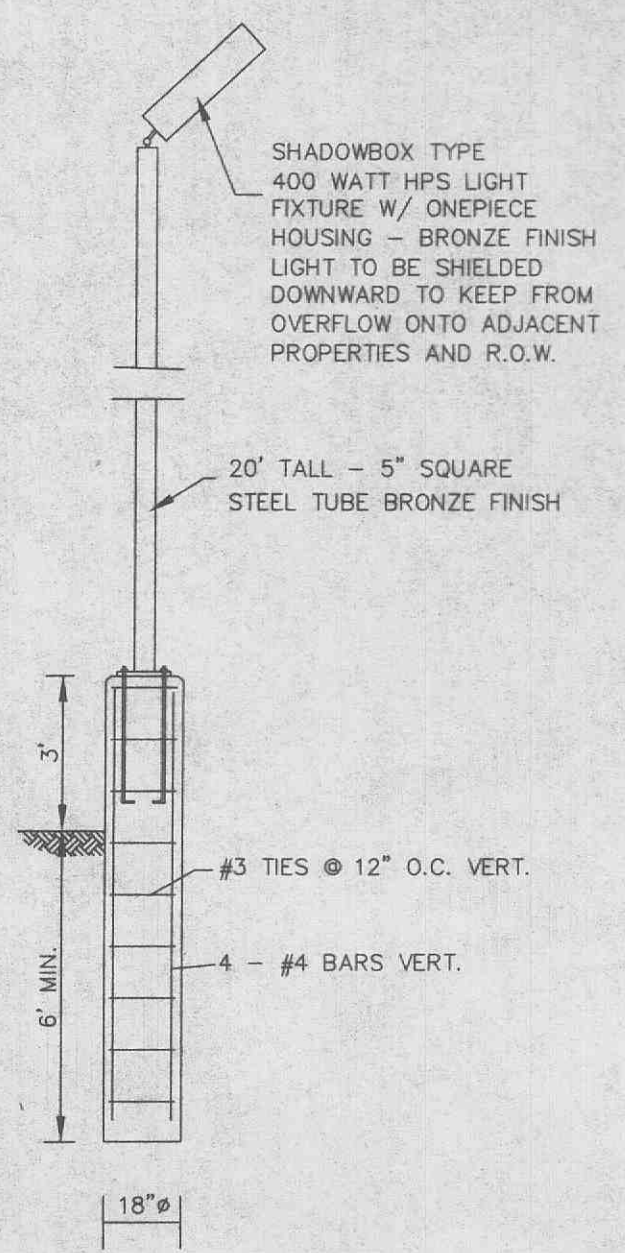


REVISED 04-20-00 CLIENT COMMENTS
 REVISED 05-12-00 CITY COMMENTS
 REVISED 06-14-00 CITY COMMENTS
 REVISED 07-07-00 CITY COMMENTS
 REVISED 08-10-00 CLIENT COMMENTS
 REVISED 09-15-00 CLIENT COMMENTS
 REVISED 09-29-00 CLIENT COMMENTS
 REVISED 10-10-00 CLIENT COMMENTS
 REVISED 10-11-00 CITY COMMENTS

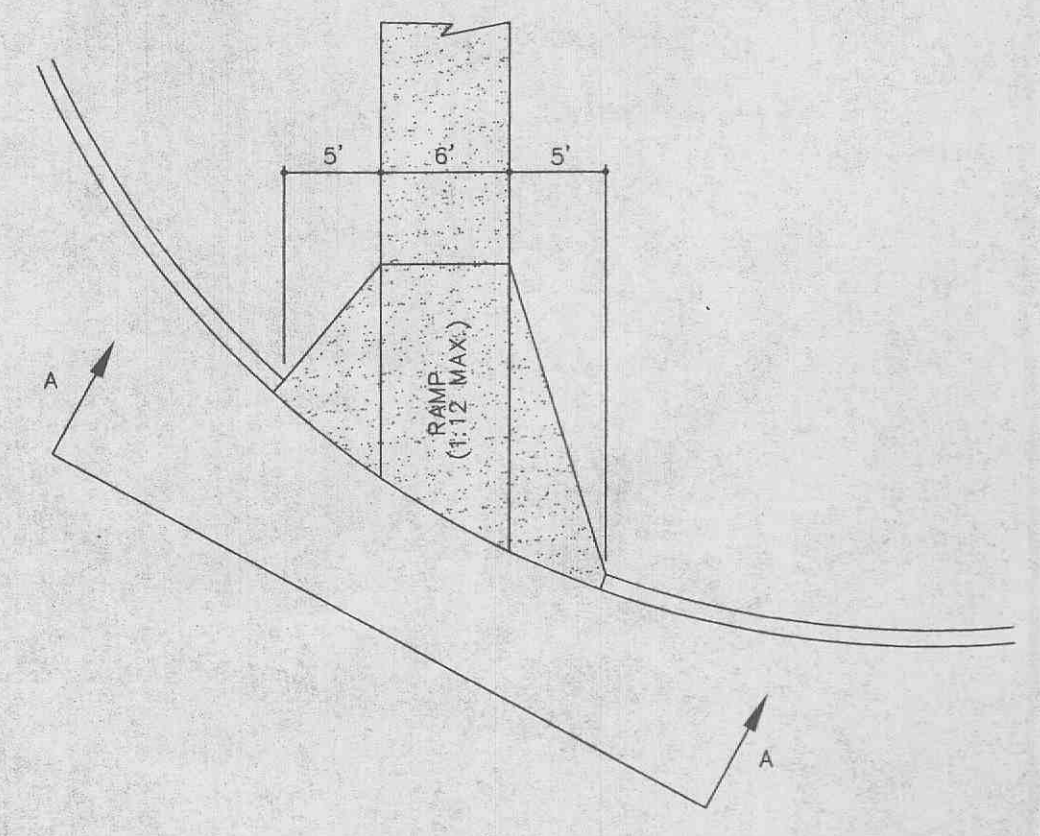


- NOTES:
1. STRAW BALES, NOT HAY BALES SHALL BE USED
 2. BUTT ENDS OF BALES TIGHTLY TOGETHER.
 3. INSTALL BALES, WITH BINDING AROUND SIDES, NOT TOP AND BOTTOM.
 4. FILL ANY GAP BETWEEN BALES BY WEDGING LOOSE STRAW BETWEEN THEM.

SEDIMENT BARRIER
 NOT TO SCALE



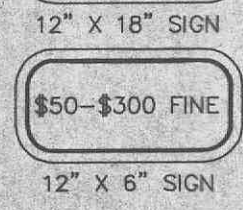
LIGHT POLE & BASE
 NOT TO SCALE



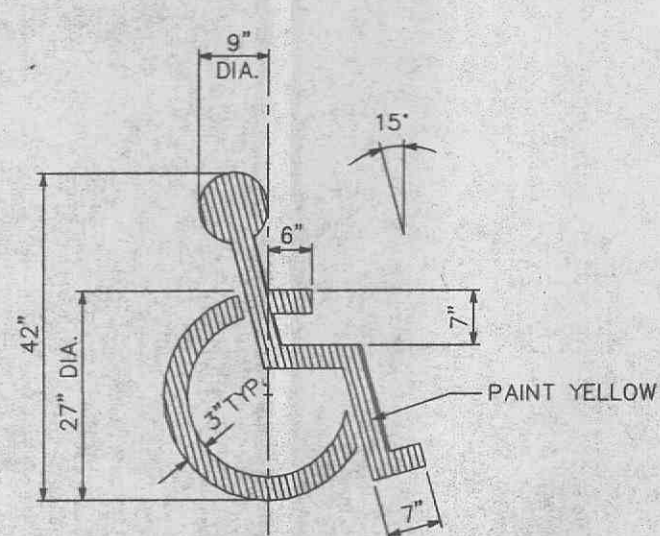
HANDICAPPED RAMP DETAIL
 NOT TO SCALE



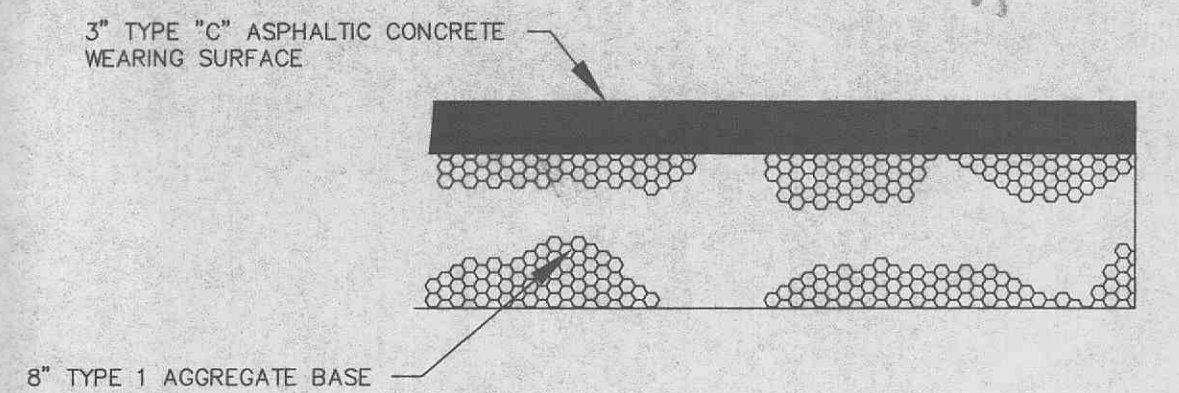
STANDARD SIGN FACE, STANDARD HIGHWAY DEPARTMENT, OR CITY STREET DEPARTMENT GAUGE. LETTERS AND BORDERS ARE GREEN, THE HANDICAP LOGO SQUARE IS BLUE AND THE BACKGROUND IS WHITE. GALVANIZED U CHANNEL POST 7'-0" LONG, SET 3'-0" INTO GRADE. SET BOTTOM OF SIGN 4'-0" ABOVE FINISHED GRADE.



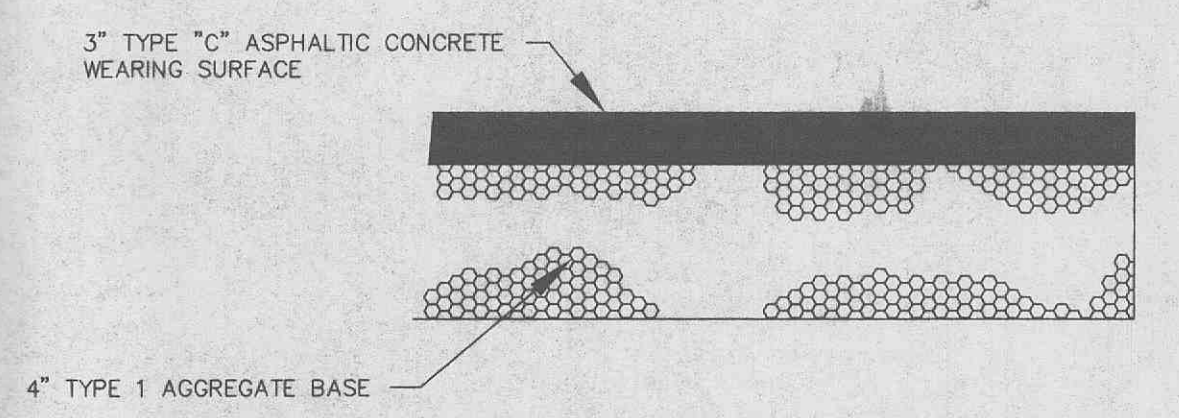
HANDICAP PARKING SIGN



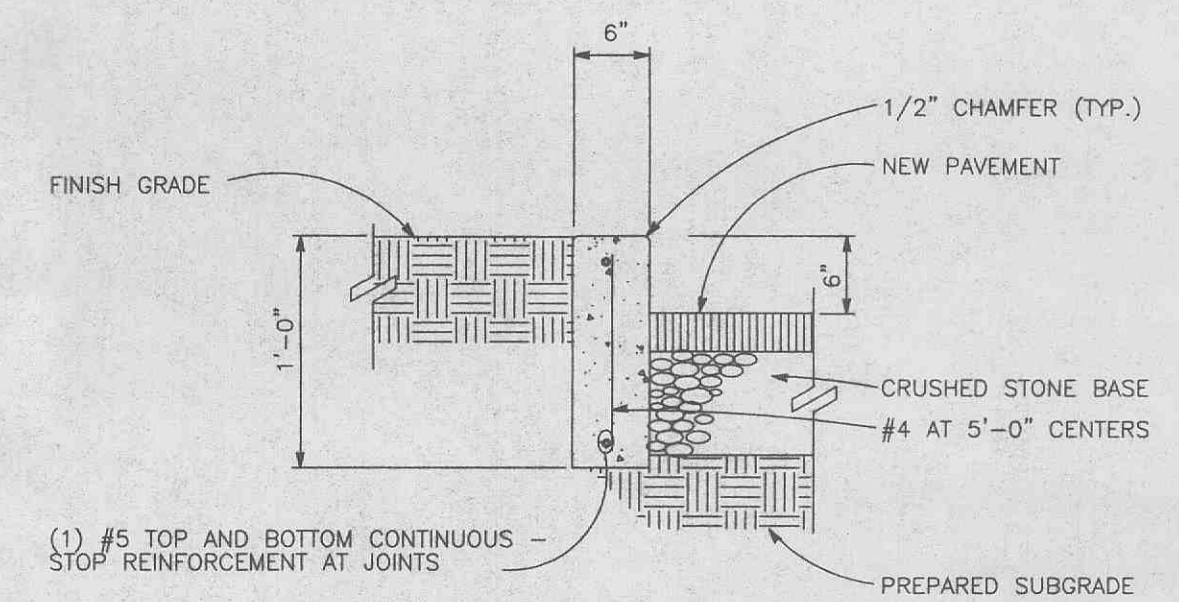
PAINTED HANDICAPPED PARKING SYMBOL
 NOT TO SCALE



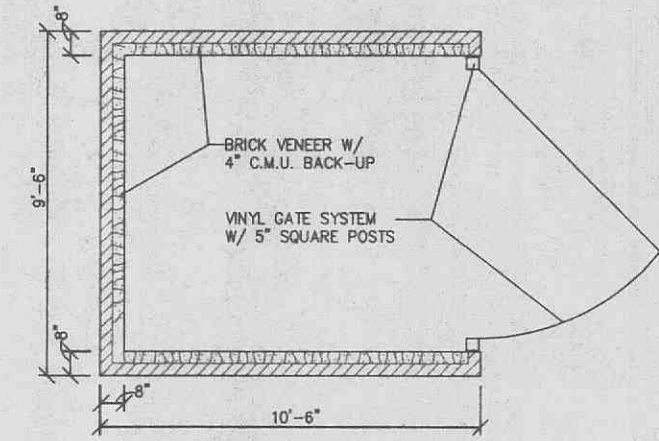
ASPHALT PAVEMENT DETAIL
 NOT TO SCALE



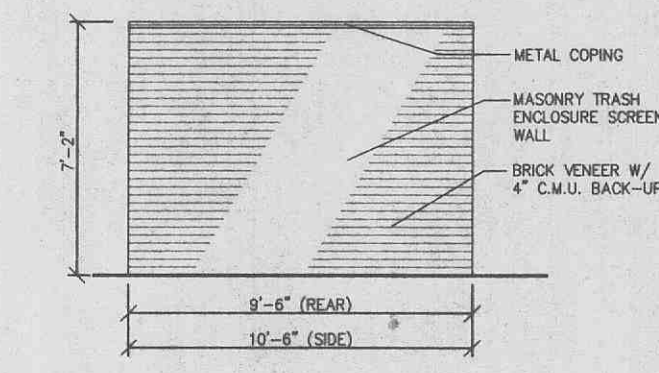
MULTI-USE TRAIL ASPHALT PAVEMENT DETAIL
 NOT TO SCALE



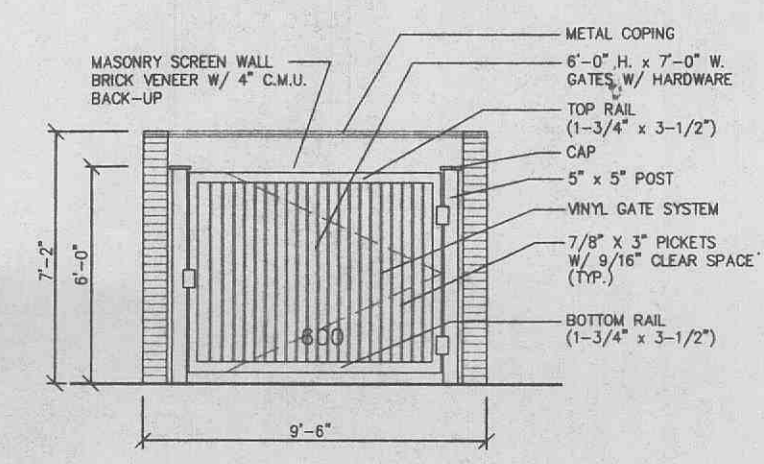
CONCRETE CURB DETAIL
 NOT TO SCALE



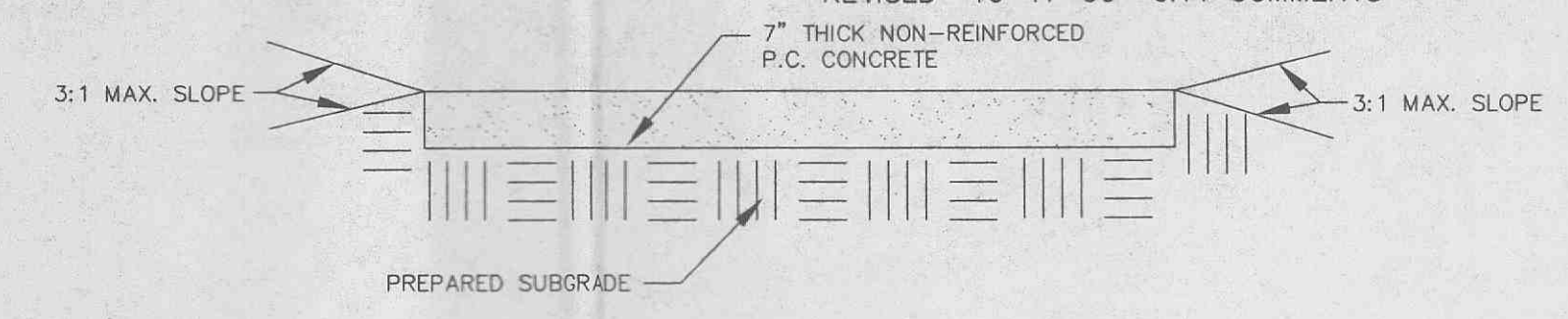
TRASH ENCLOSURE PLAN
 N.T.S.



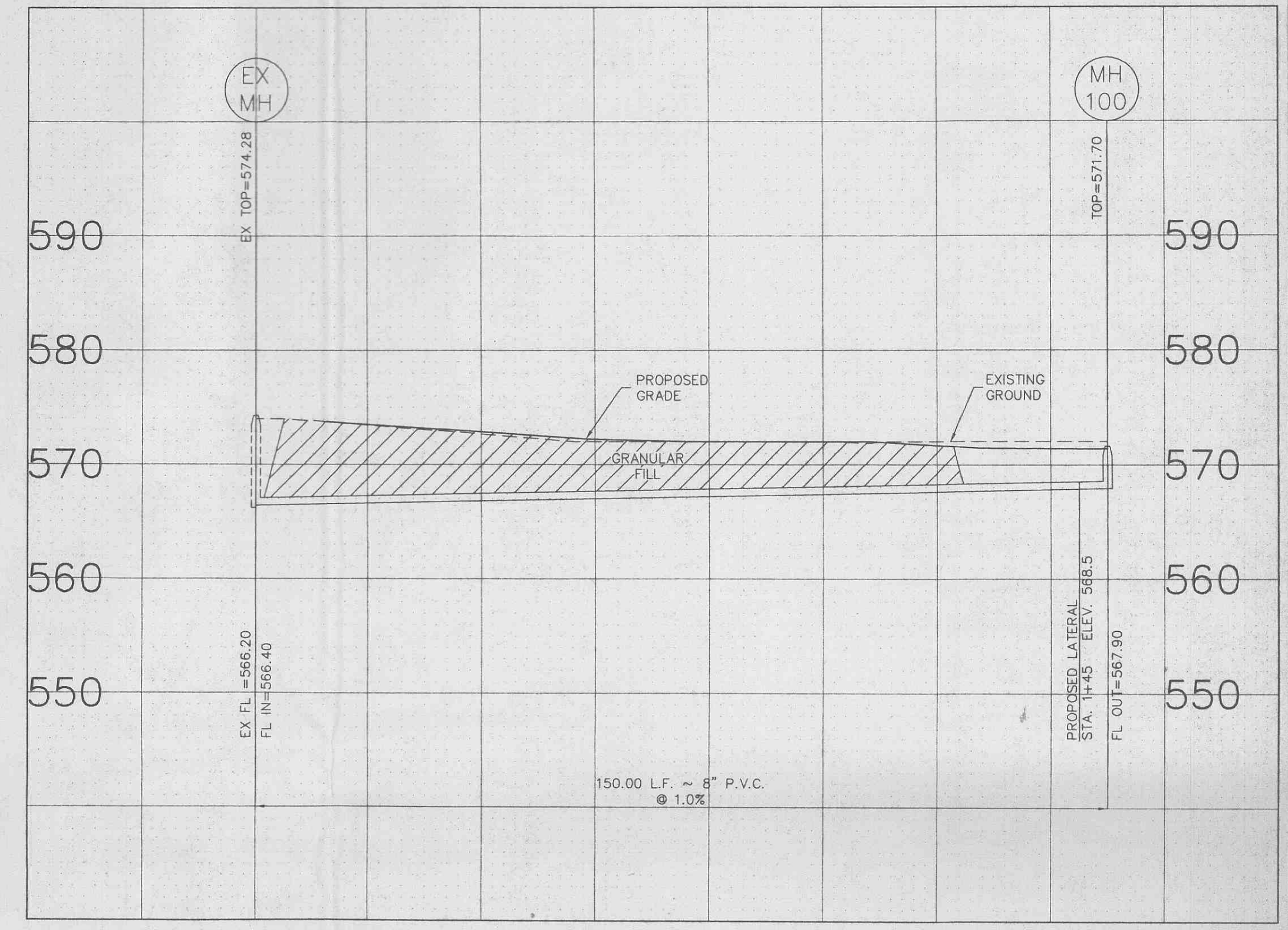
REAR & SIDE VIEW OF TRASH ENCLOSURE
 N.T.S.



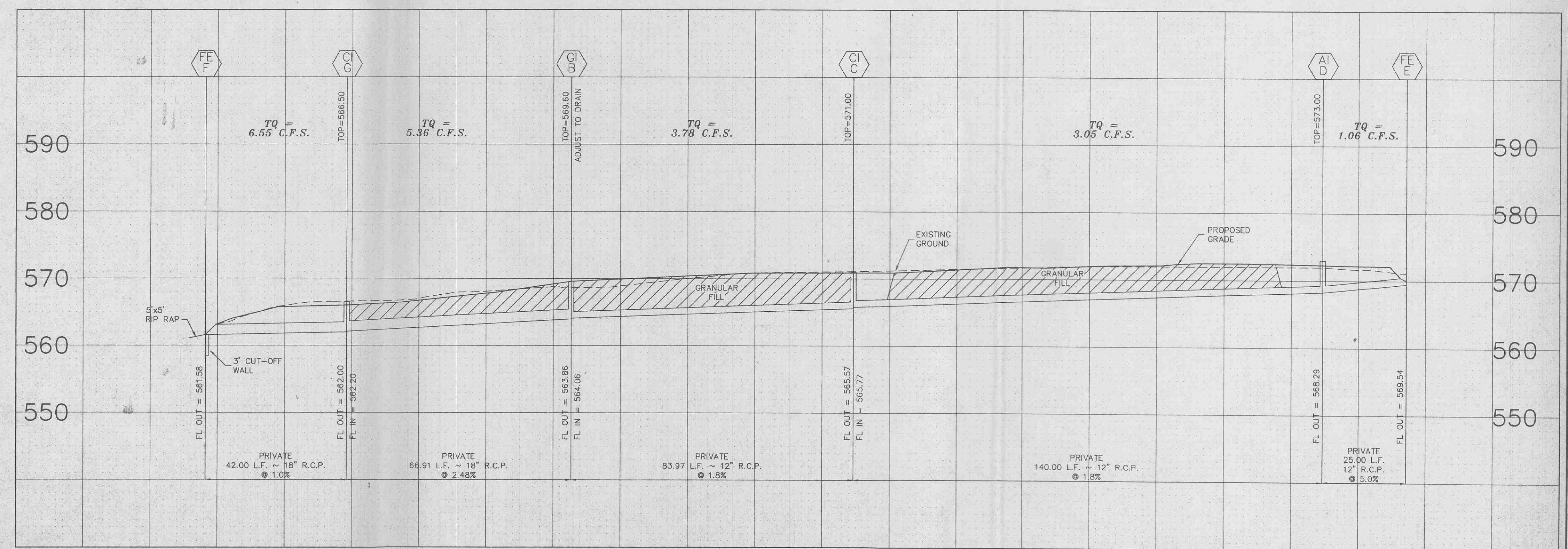
ELEV. AT TRASH ENCLOSURE GATE
 N.T.S.



TRASH ENCLOSURE PAD CONCRETE PAVEMENT DETAIL
 NOT TO SCALE



SANITARY SEWER PROFILE
 SCALE: 1" = 20' HOR.
 1" = 10' VER.



STORM SEWER PROFILE
 SCALE: 1" = 20' HOR.
 1" = 10' VER.

E:\09\10500\plus\10751a-credit_union\construction\10751a\con.dwg Wed Oct 11 16:45:04 2000 JML