



R3-1

R3-2



R6-1L



R6-1R



R5-1

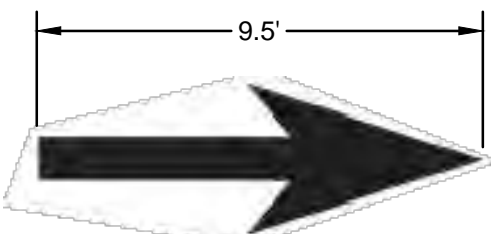
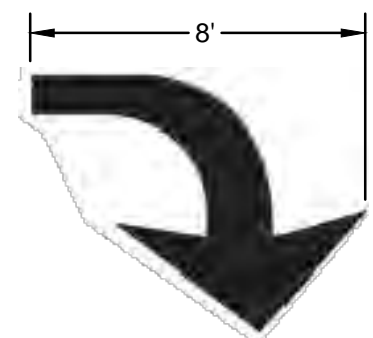


EXIT ONLY



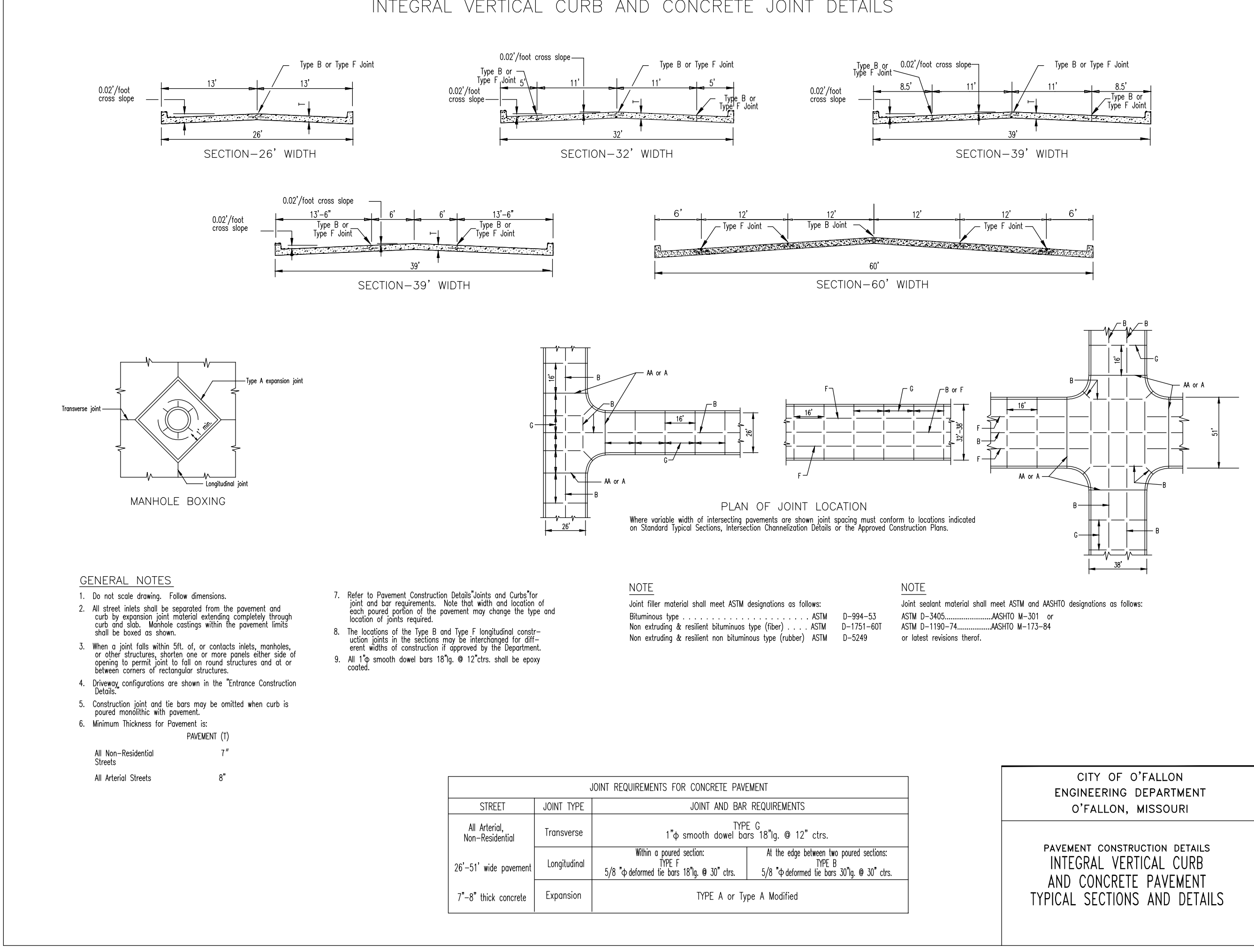
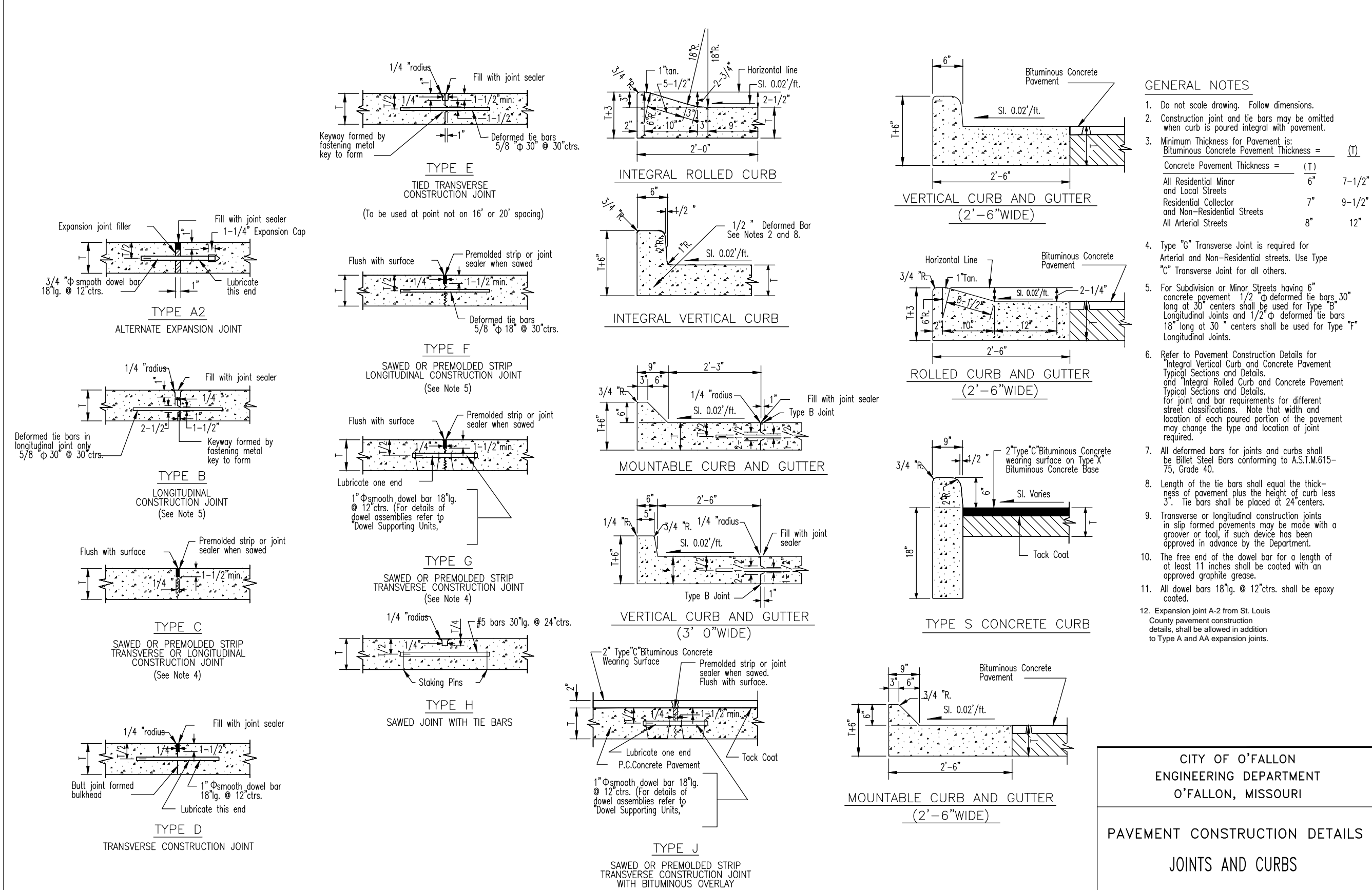
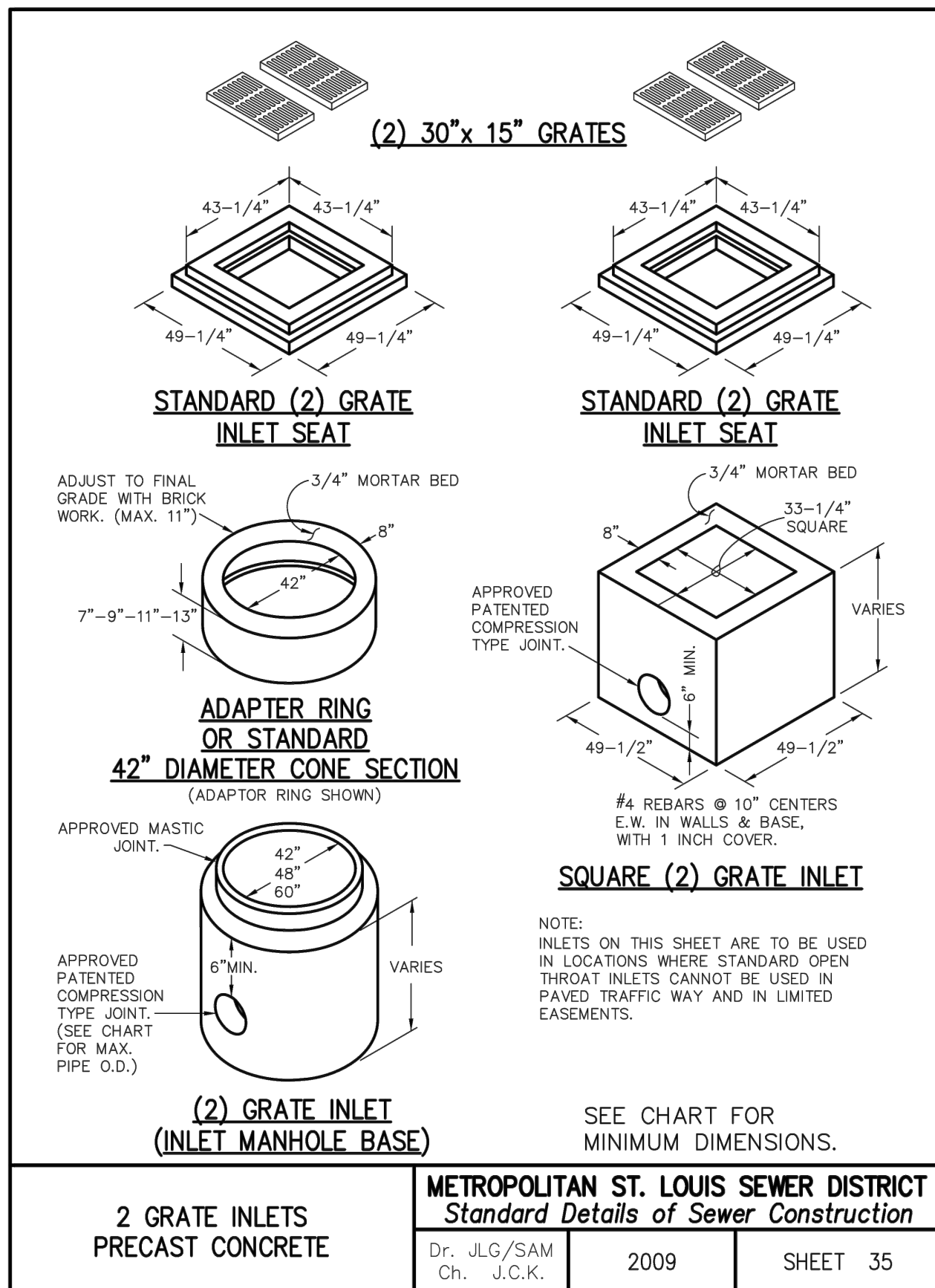
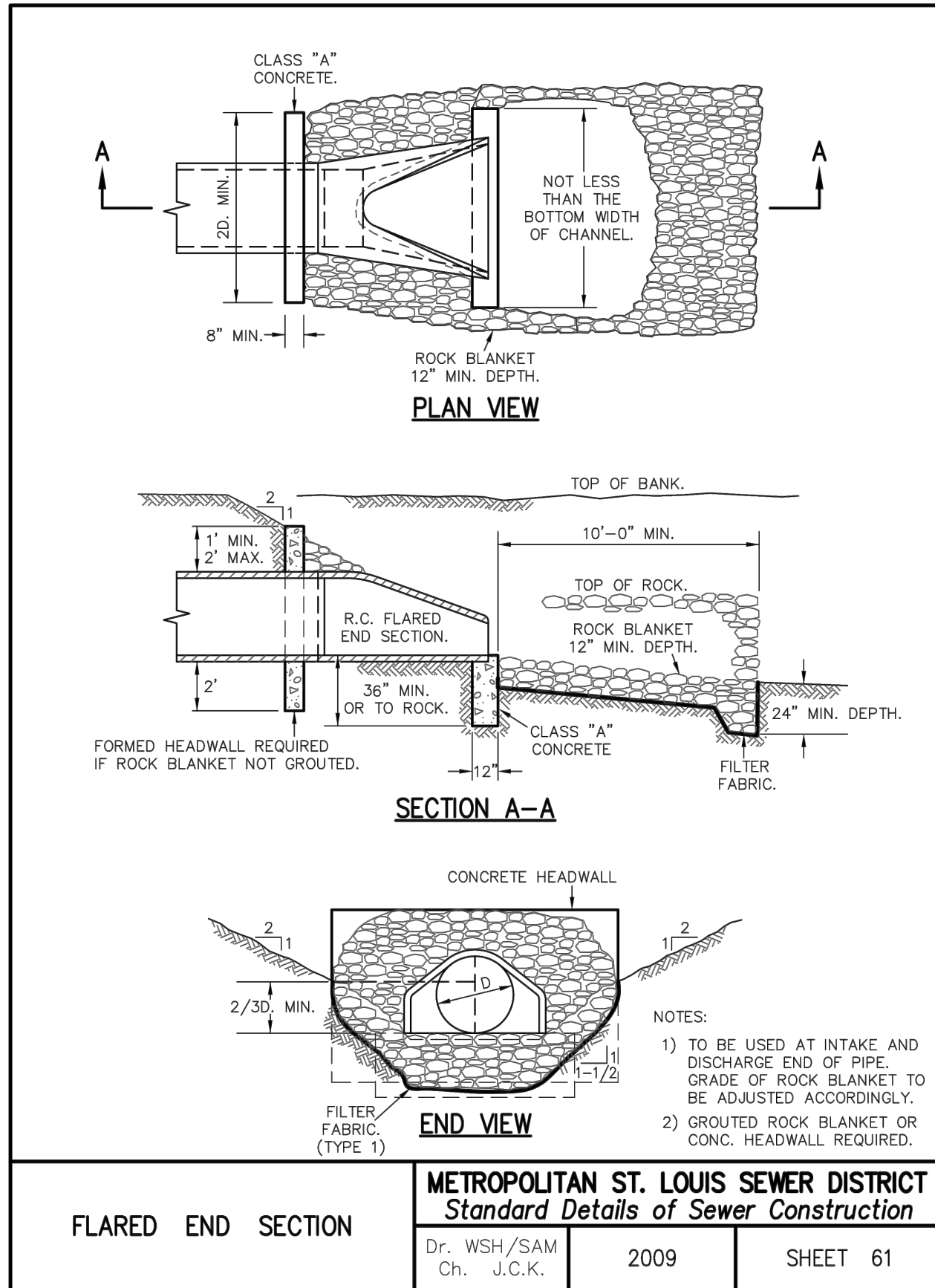
COMPACT CAR PARKING

SIGN DETAILS
N.T.S.



PAVEMENT STRIPING DETAILS
N.T.S.

NOTE:
TO BE INSTALLED PER CURRENT MUTCD REGULATIONS



APRIL M. GIESMAN PROFESSIONAL ENGINEER E-2001004592 5/24/18	REVISION
NAME: April Giesman LICENSE NO.: 2001004592 EXPIRATION DATE: 12-31-19	DATE
NO.	NO.

HORNER SHIFRIN
101 LAURA K DRIVE, STE. 101 O'FALLON, MO 63366-3991
636-329-9296 • FAX 636-339-2910 • WWW.HORNERSHIFRIN.COM
DISCIPLINE: PROFESSIONAL ENGINEERING
CERTIFICATE OF AUTHORITY: 000159
EXPIRATION DATE: DECEMBER 31, 2018

ALPHA & OMEGA ROASTING
111 N. MAIN STREET

DATE:	05/24/2018
DESIGNED:	AMH
DRAWN:	AMH
CHECKED:	AMG
JOB NO.	1803000
REF. NO.	N/A

C6.2