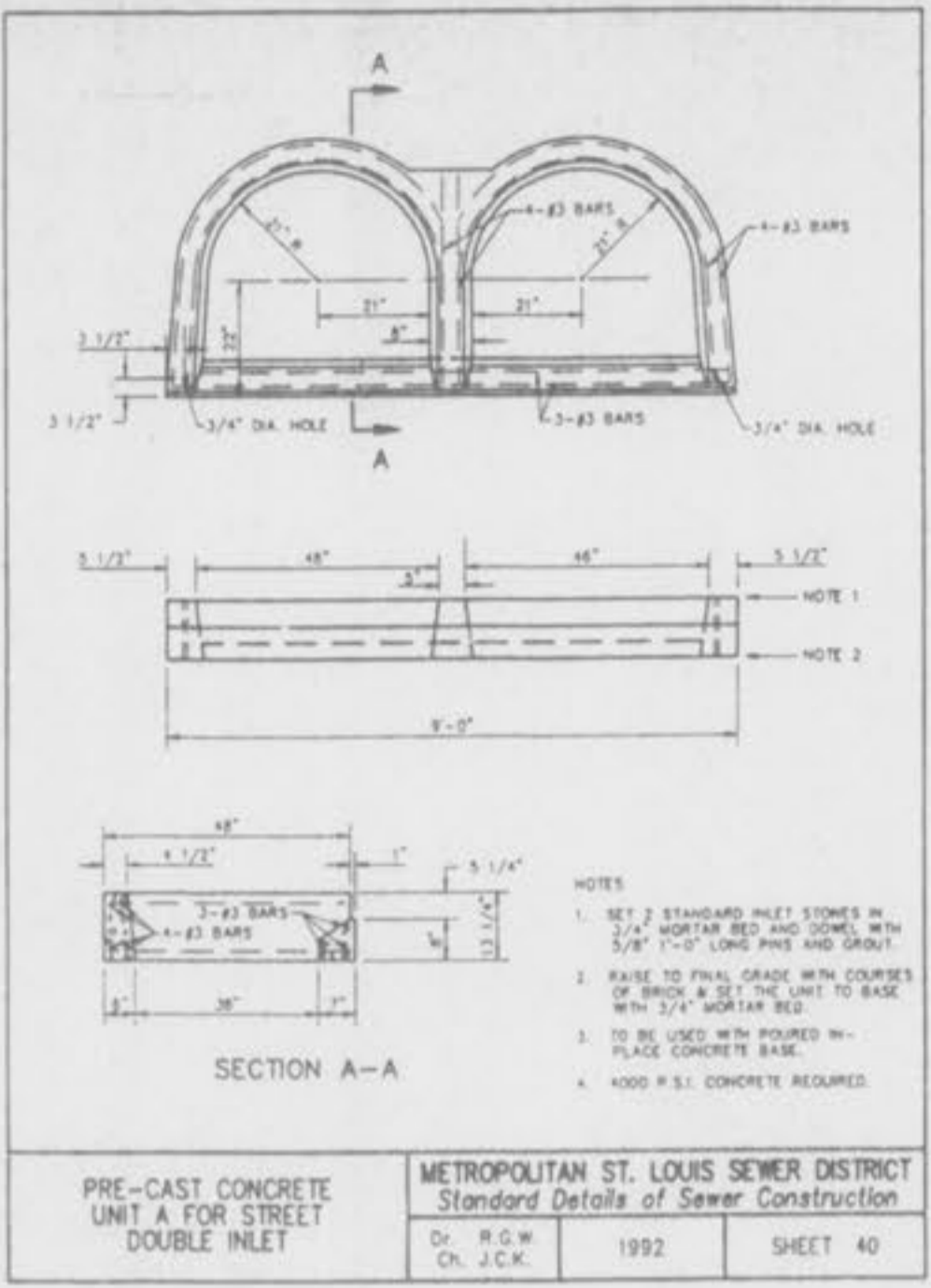
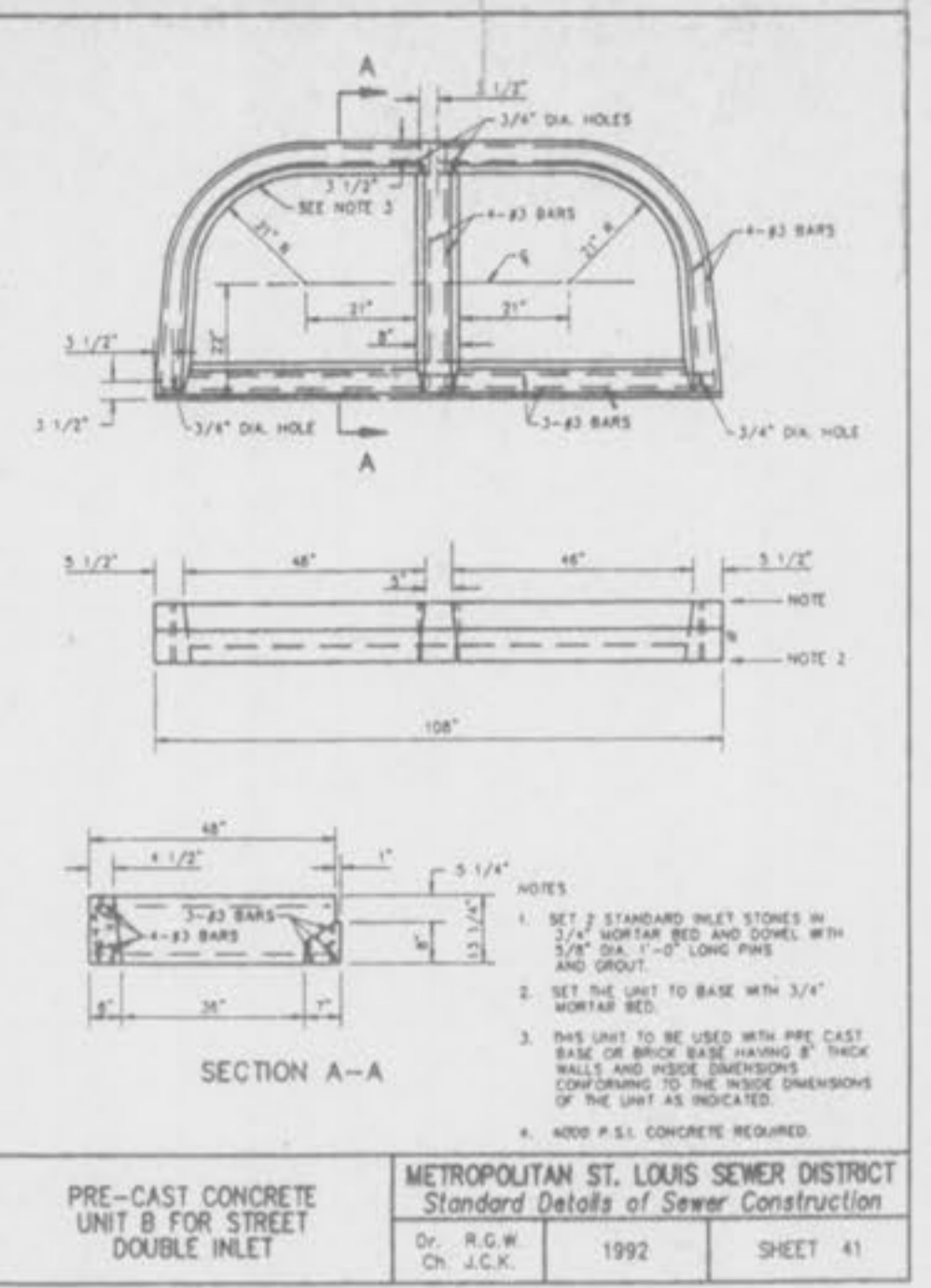


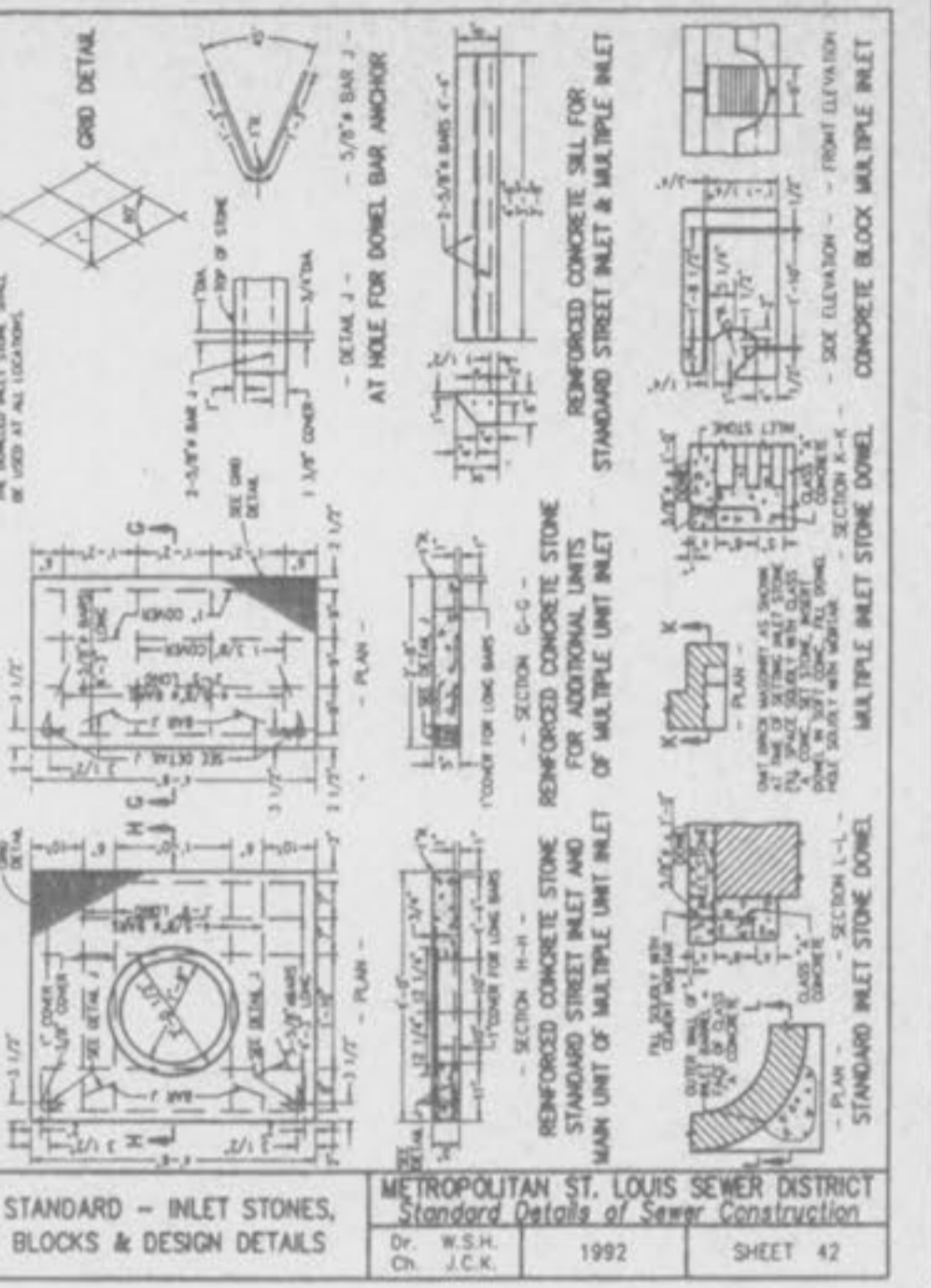
CONCRETE DOUBLE STREET INLET W/PRE CAST CONCRETE UNIT A
 METROPOLITAN ST. LOUIS SEWER DISTRICT Standard Details of Sewer Construction
 D. R.G.W. 1992 SHEET 39
 Ch. J.C.K.



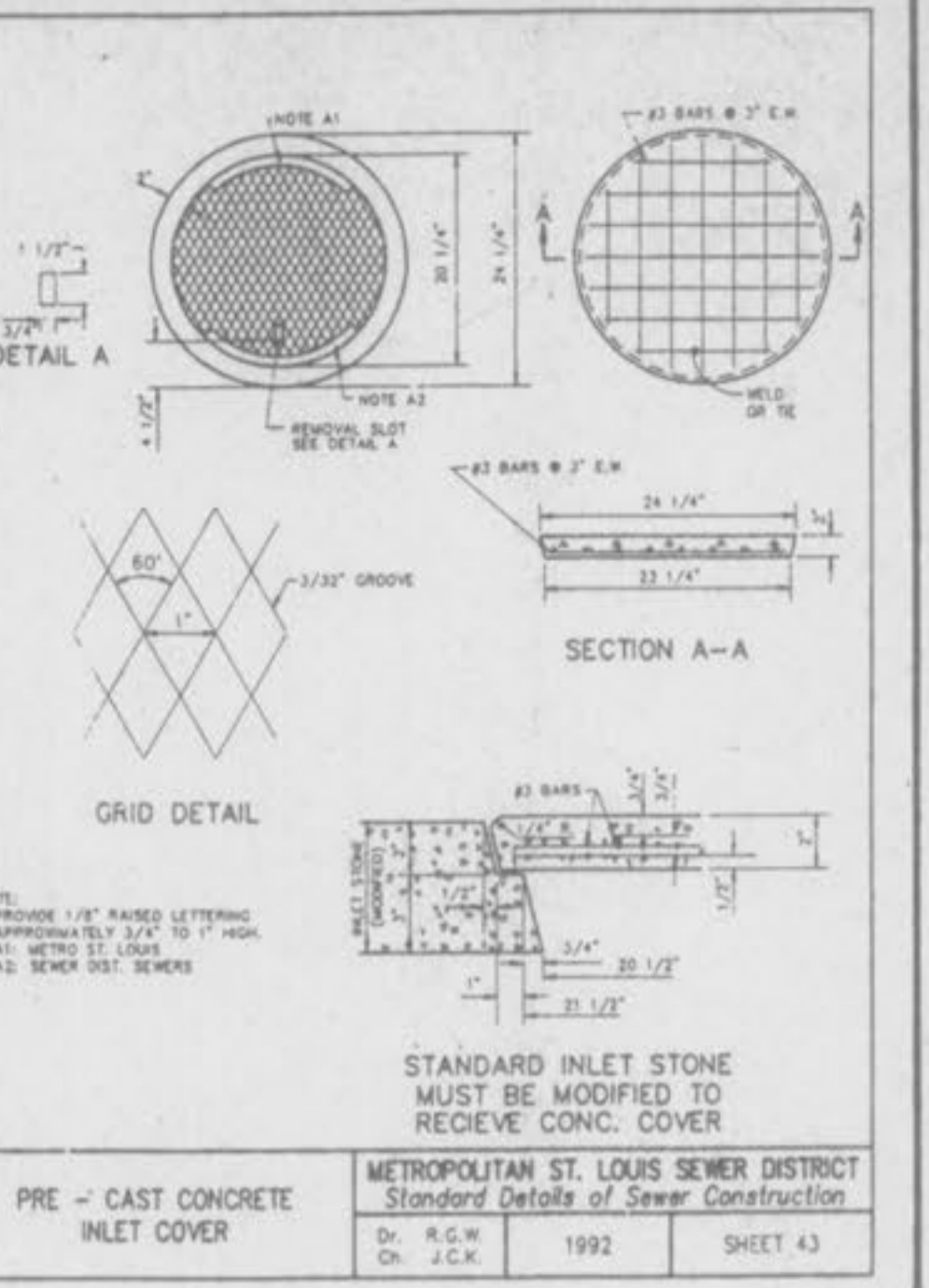
PRE-CAST CONCRETE UNIT A FOR STREET DOUBLE INLET
 METROPOLITAN ST. LOUIS SEWER DISTRICT Standard Details of Sewer Construction
 D. R.G.W. 1992 SHEET 40
 Ch. J.C.K.



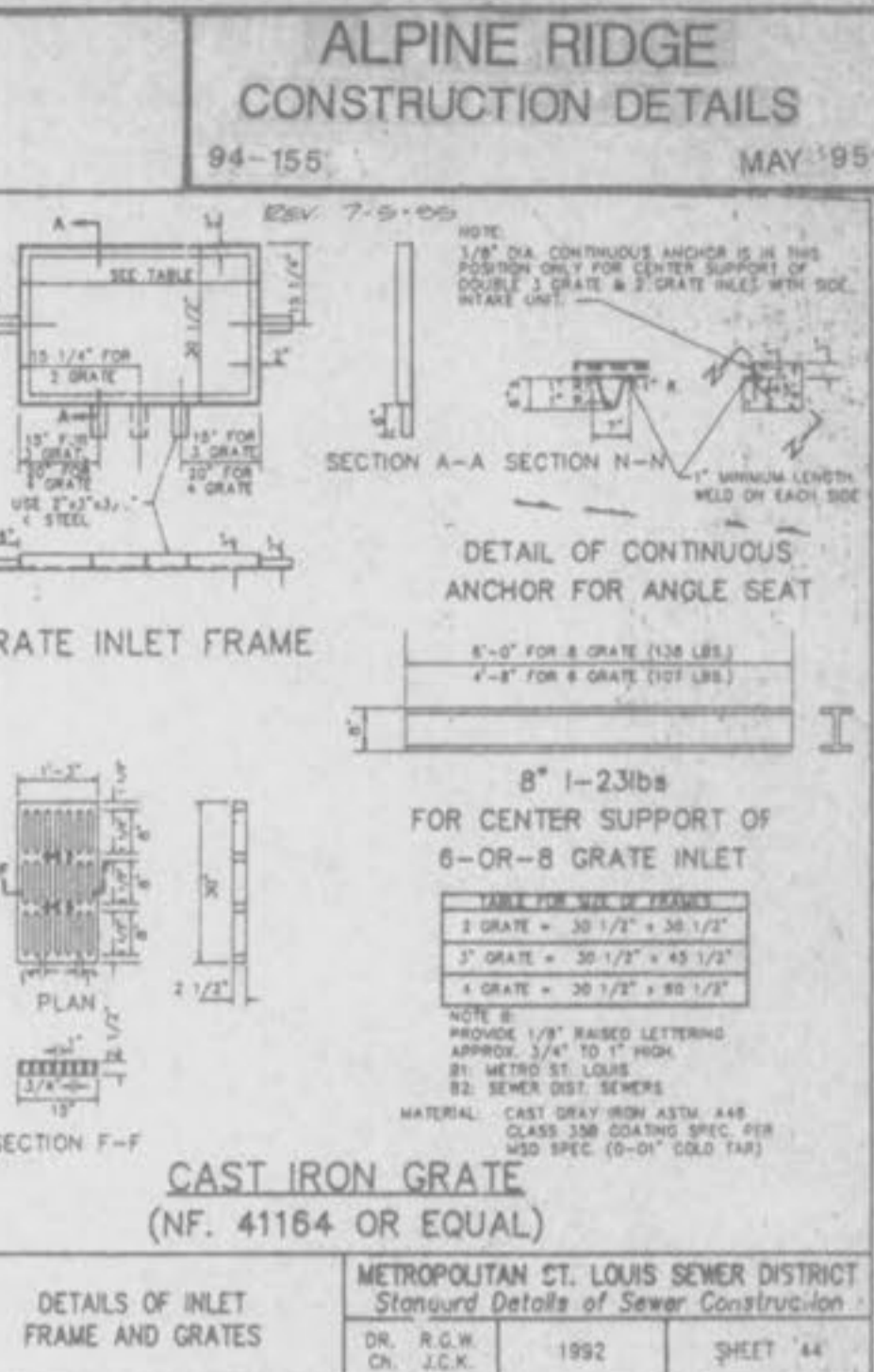
PRE-CAST CONCRETE UNIT B FOR STREET DOUBLE INLET
 METROPOLITAN ST. LOUIS SEWER DISTRICT Standard Details of Sewer Construction
 D. R.G.W. 1992 SHEET 41
 Ch. J.C.K.



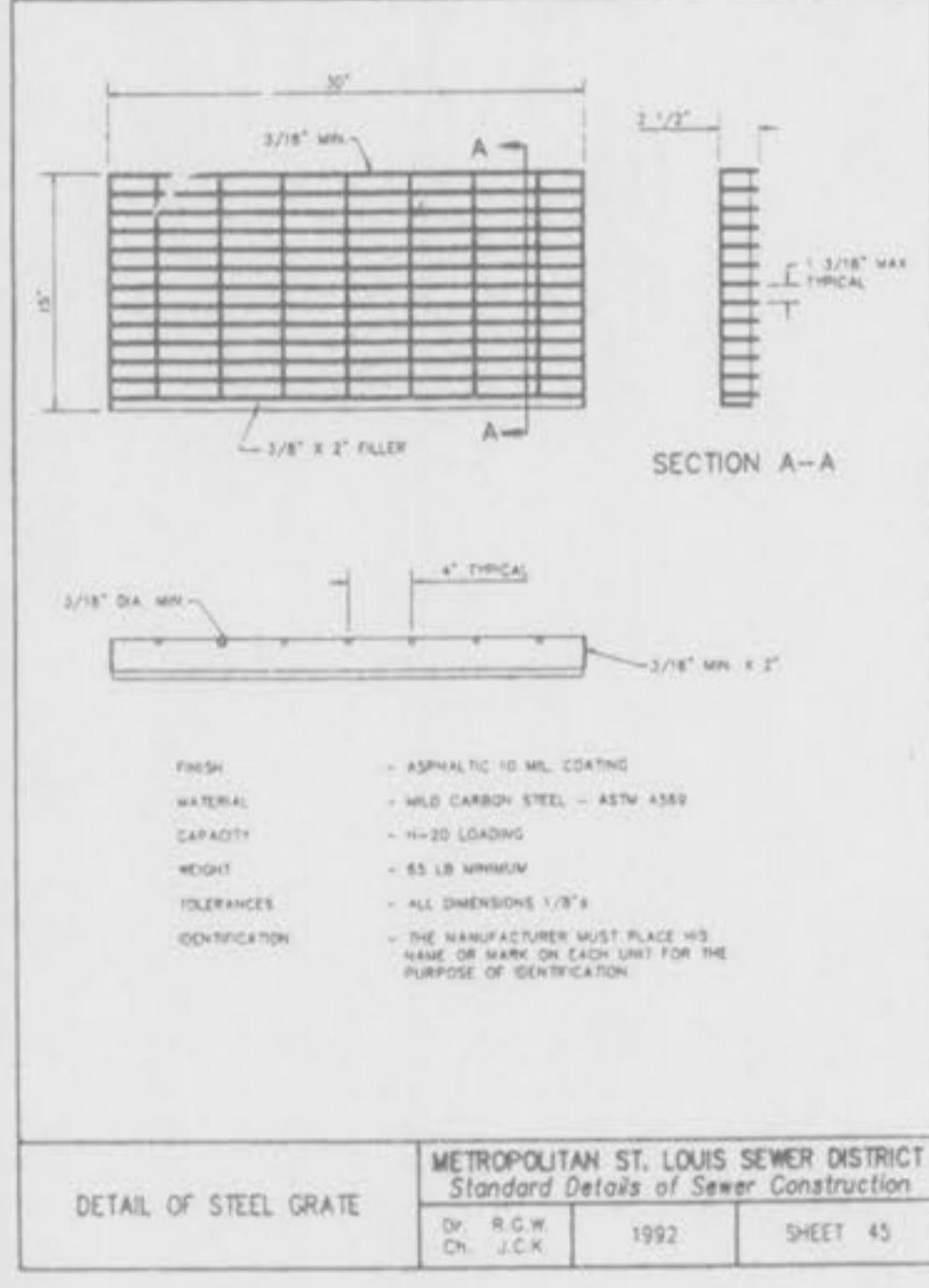
STANDARD - INLET STONES, BLOCKS & DESIGN DETAILS
 METROPOLITAN ST. LOUIS SEWER DISTRICT Standard Details of Sewer Construction
 D. R.G.W. 1992 SHEET 42
 Ch. J.C.K.



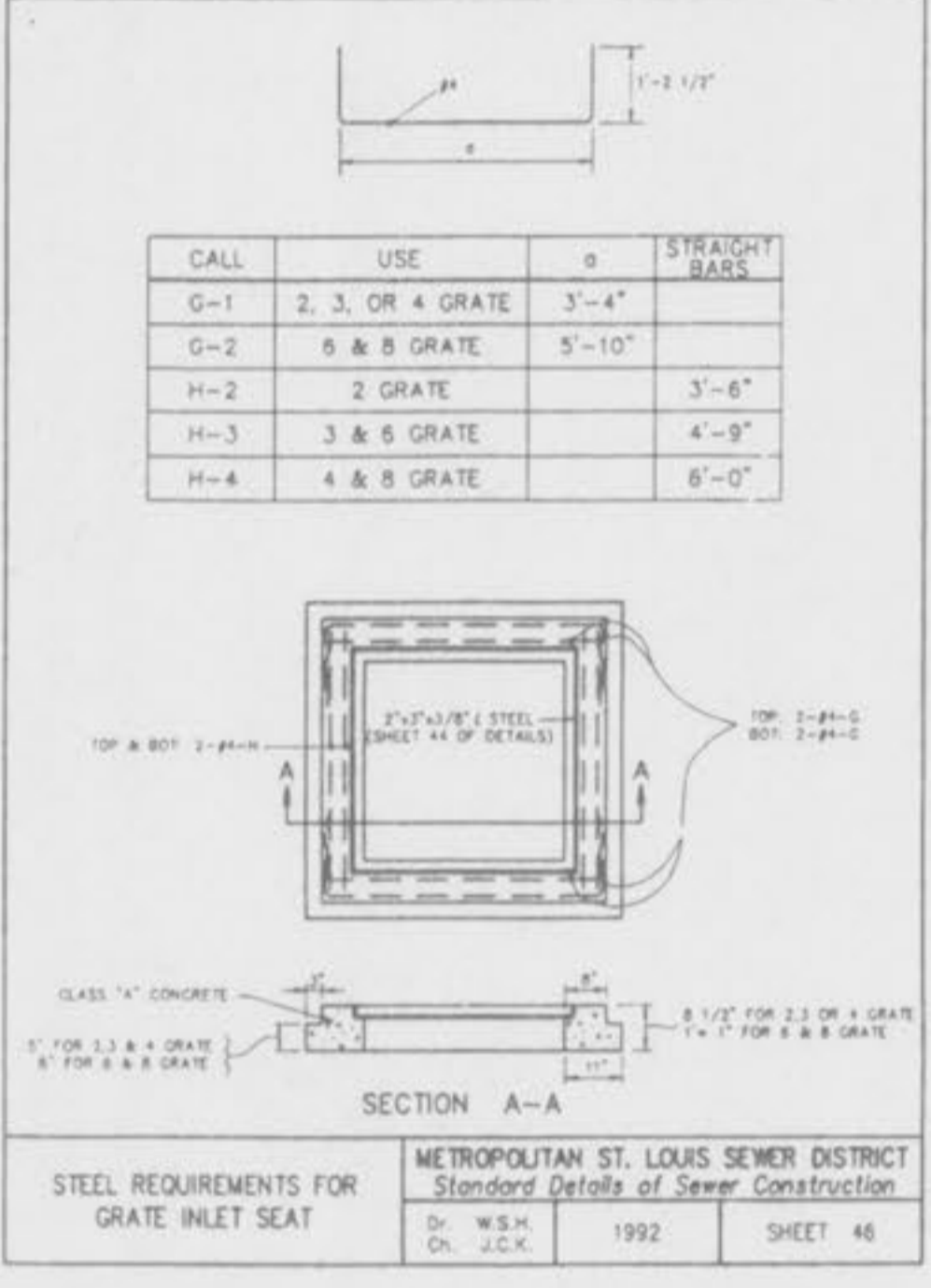
PRE-CAST CONCRETE INLET COVER
 METROPOLITAN ST. LOUIS SEWER DISTRICT Standard Details of Sewer Construction
 D. R.G.W. 1992 SHEET 43
 Ch. J.C.K.



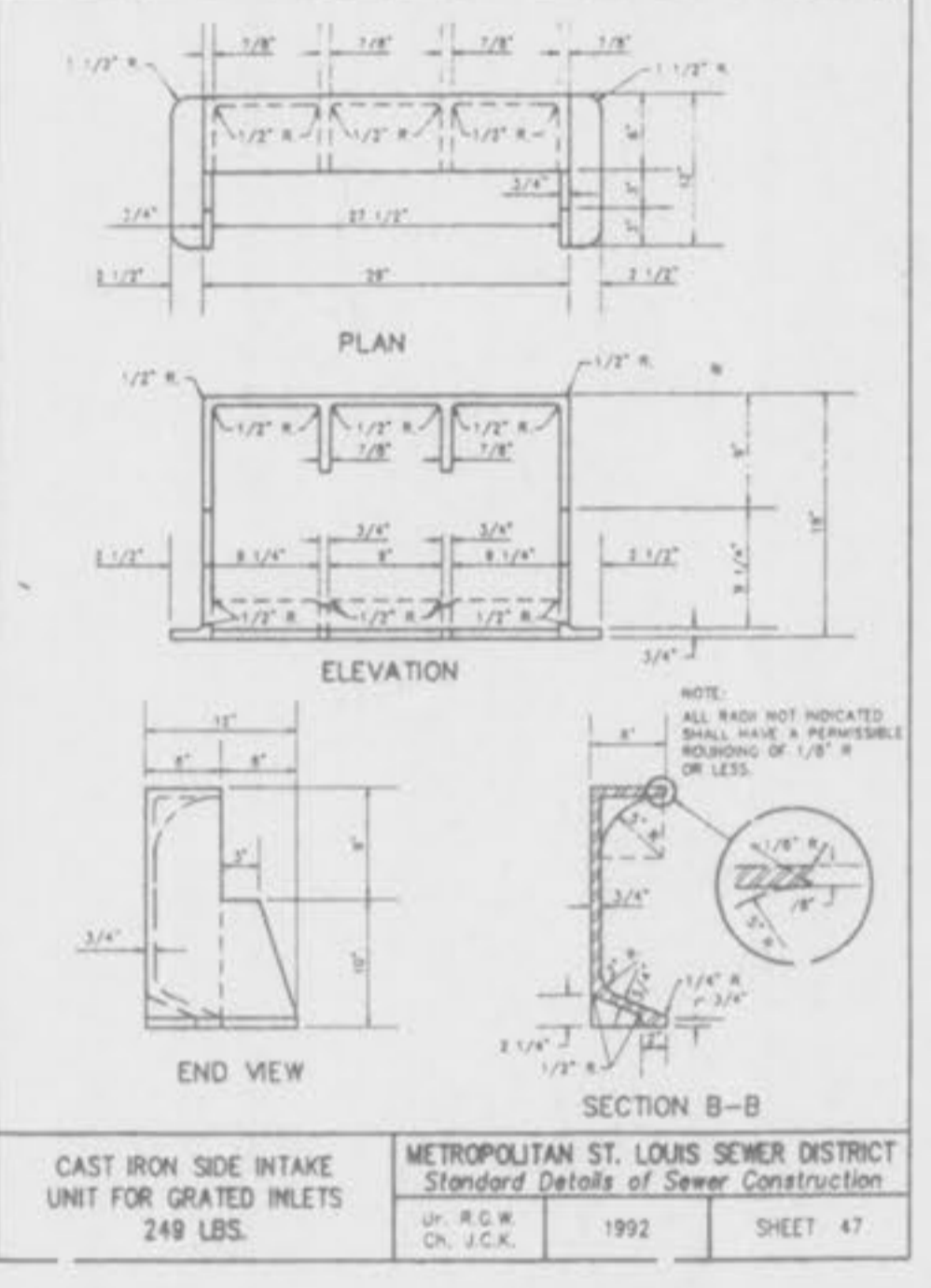
ALPINE RIDGE CONSTRUCTION DETAILS
 94-155 MAY 1995
 METROPOLITAN ST. LOUIS SEWER DISTRICT Standard Details of Sewer Construction
 D. R.G.W. 1992 SHEET 44
 Ch. J.C.K.



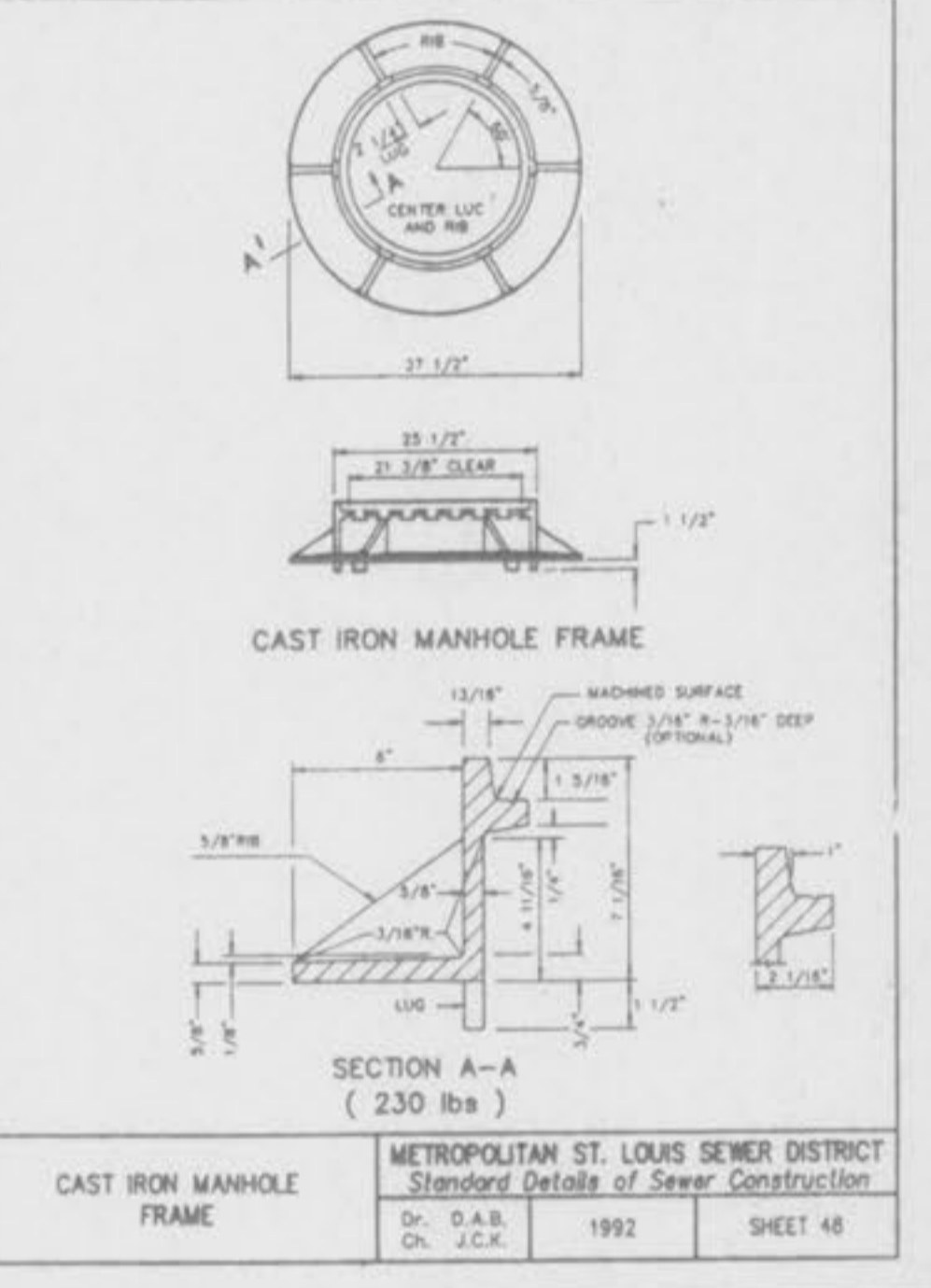
DETAIL OF STEEL GRATE
 METROPOLITAN ST. LOUIS SEWER DISTRICT Standard Details of Sewer Construction
 D. R.G.W. 1992 SHEET 45
 Ch. J.C.K.



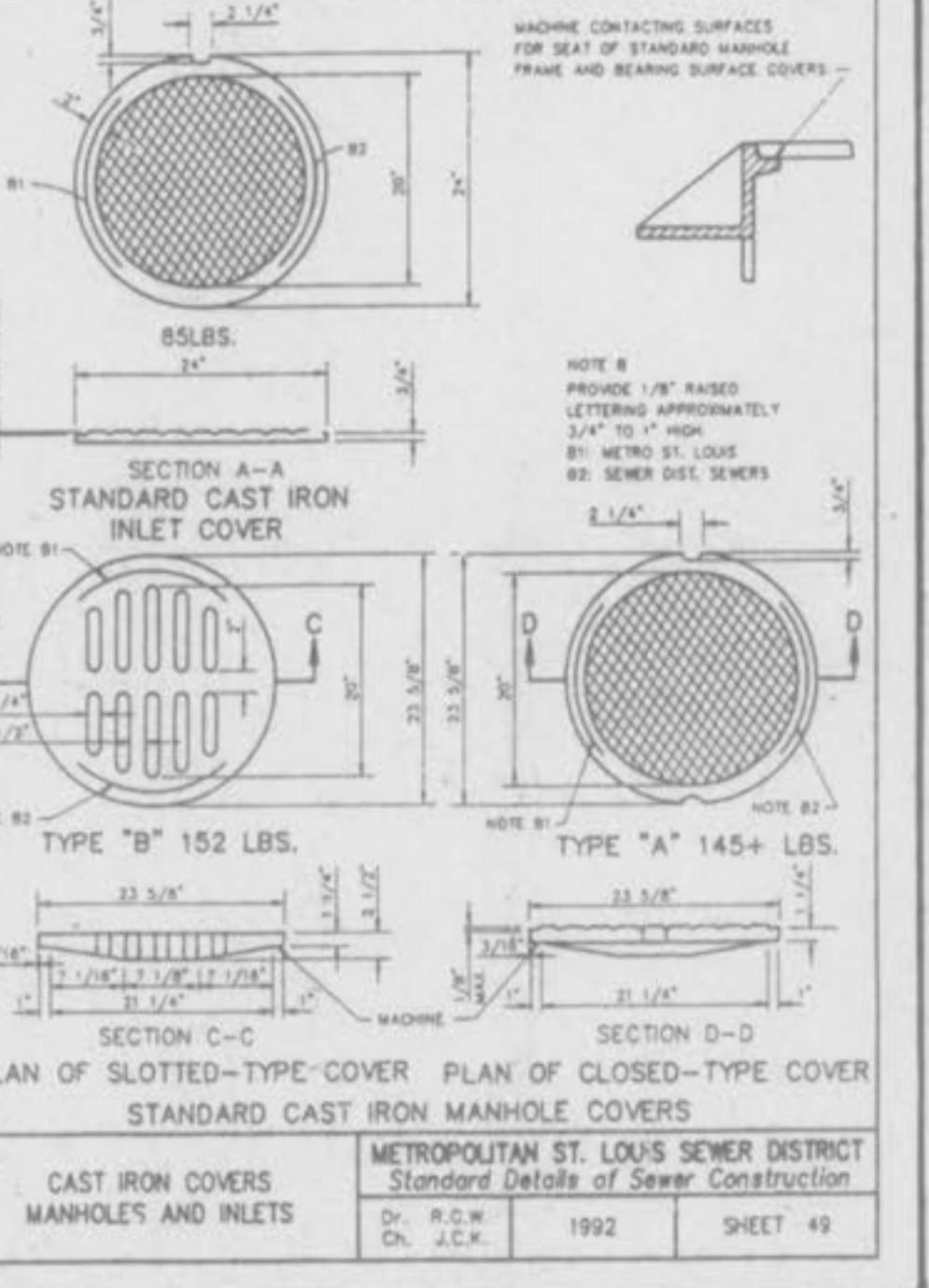
STEEL REQUIREMENTS FOR GRATE INLET SEAT
 METROPOLITAN ST. LOUIS SEWER DISTRICT Standard Details of Sewer Construction
 D. R.G.W. 1992 SHEET 46
 Ch. J.C.K.



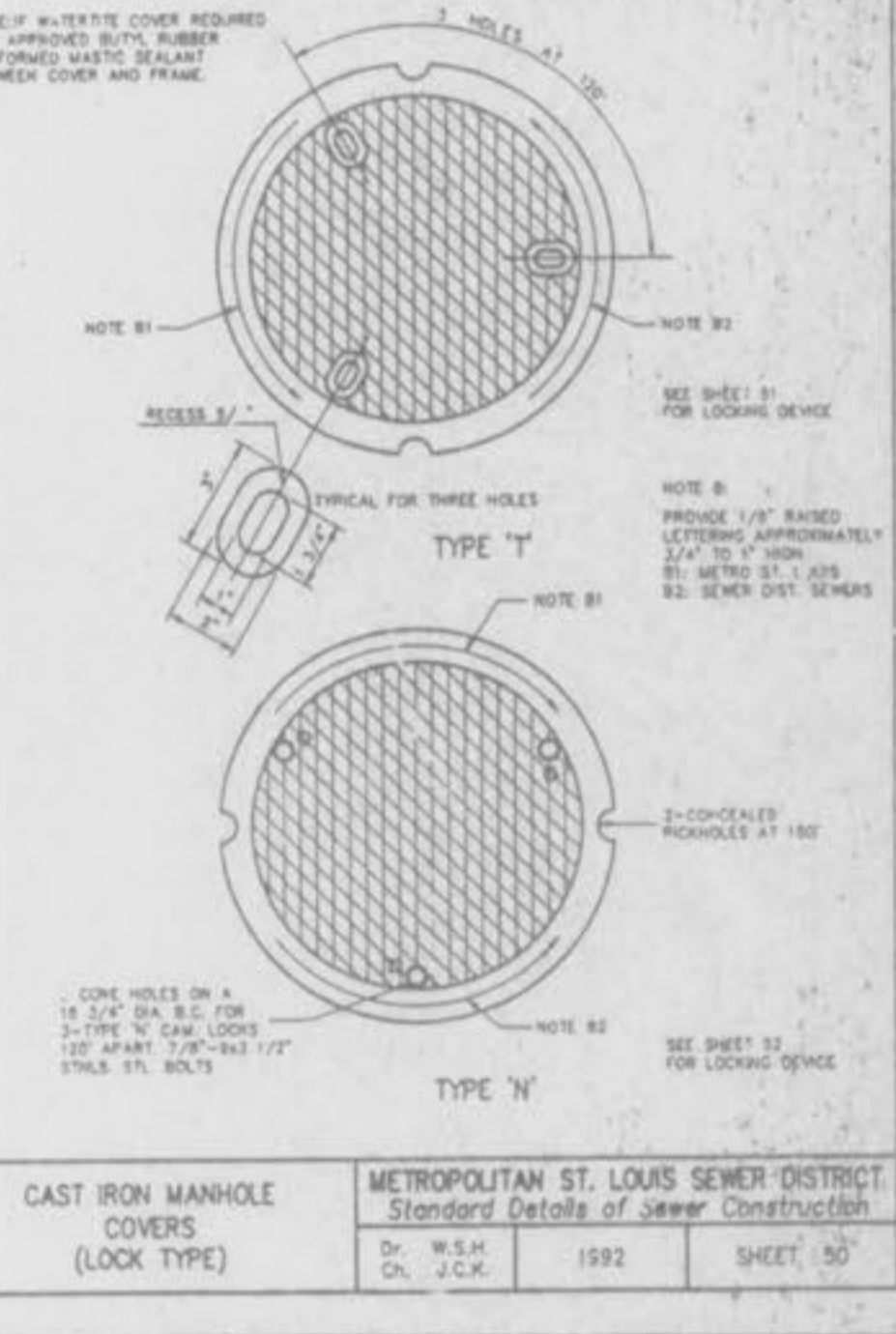
CAST IRON SIDE INTAKE UNIT FOR GRATED INLETS 249 LBS.
 METROPOLITAN ST. LOUIS SEWER DISTRICT Standard Details of Sewer Construction
 D. R.G.W. 1992 SHEET 47
 Ch. J.C.K.



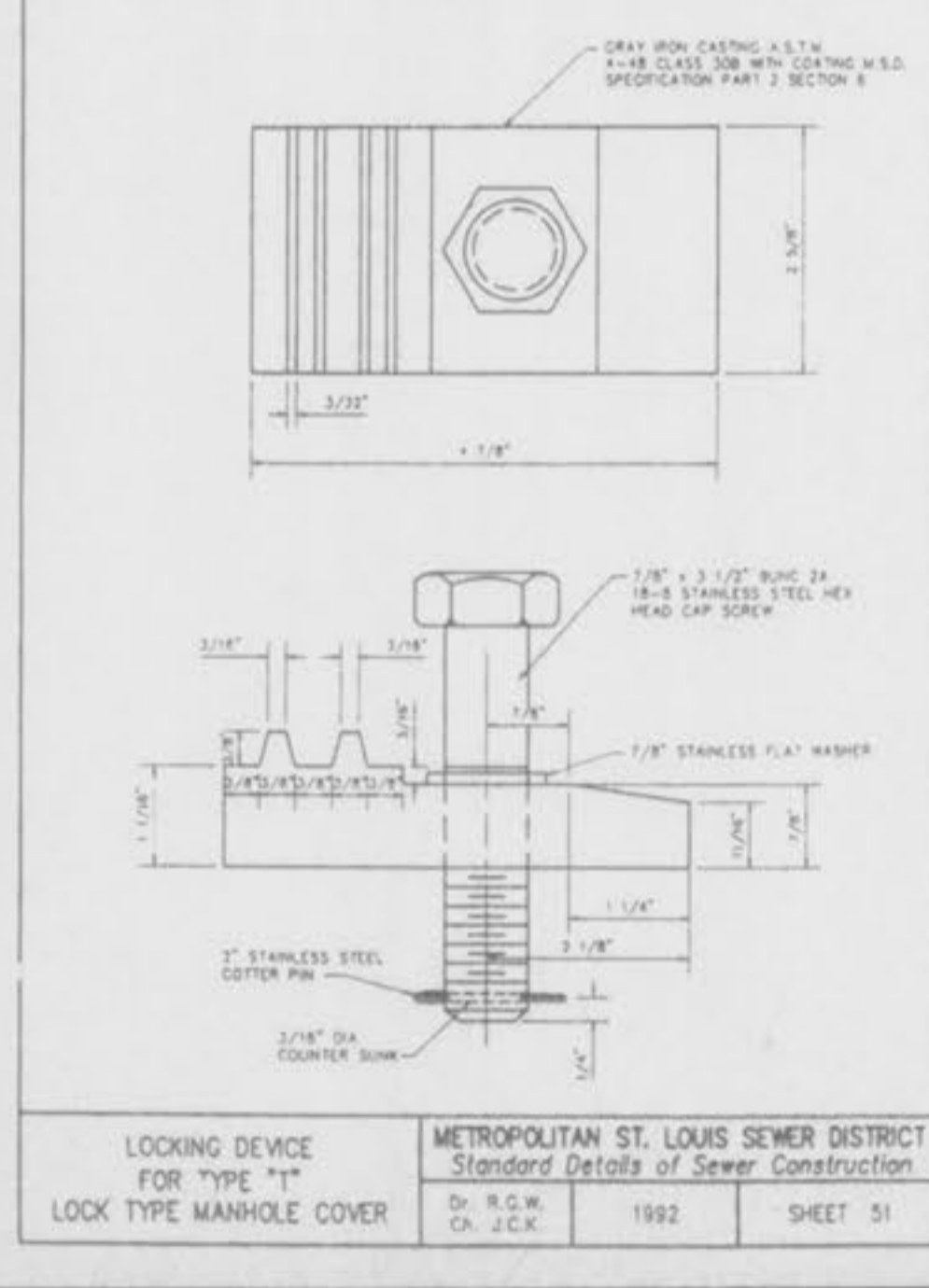
CAST IRON MANHOLE FRAME
 METROPOLITAN ST. LOUIS SEWER DISTRICT Standard Details of Sewer Construction
 D. D.A.B. 1992 SHEET 48
 Ch. J.C.K.



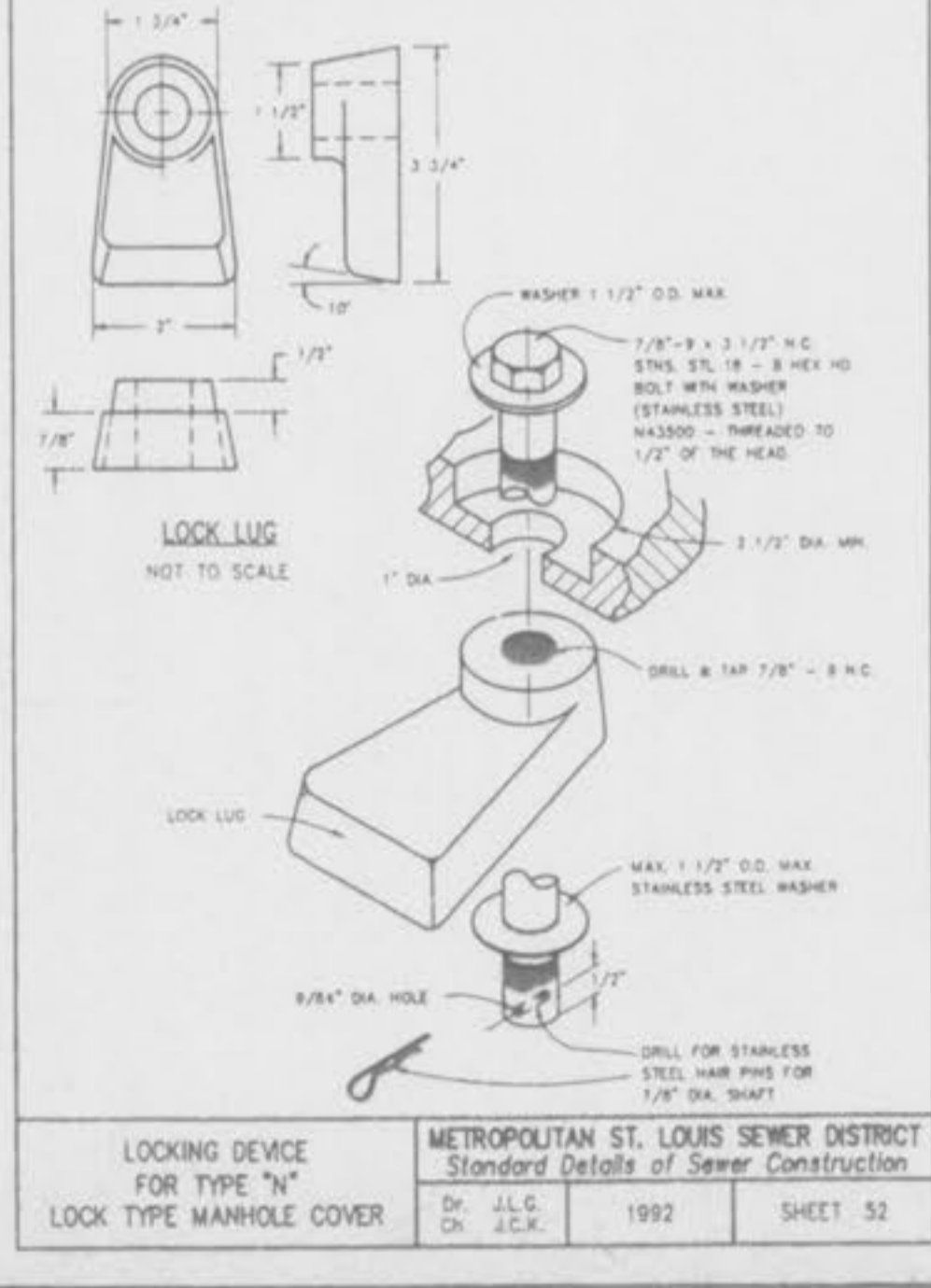
CAST IRON COVERS MANHOLES AND INLETS
 METROPOLITAN ST. LOUIS SEWER DISTRICT Standard Details of Sewer Construction
 D. R.G.W. 1992 SHEET 49
 Ch. J.C.K.



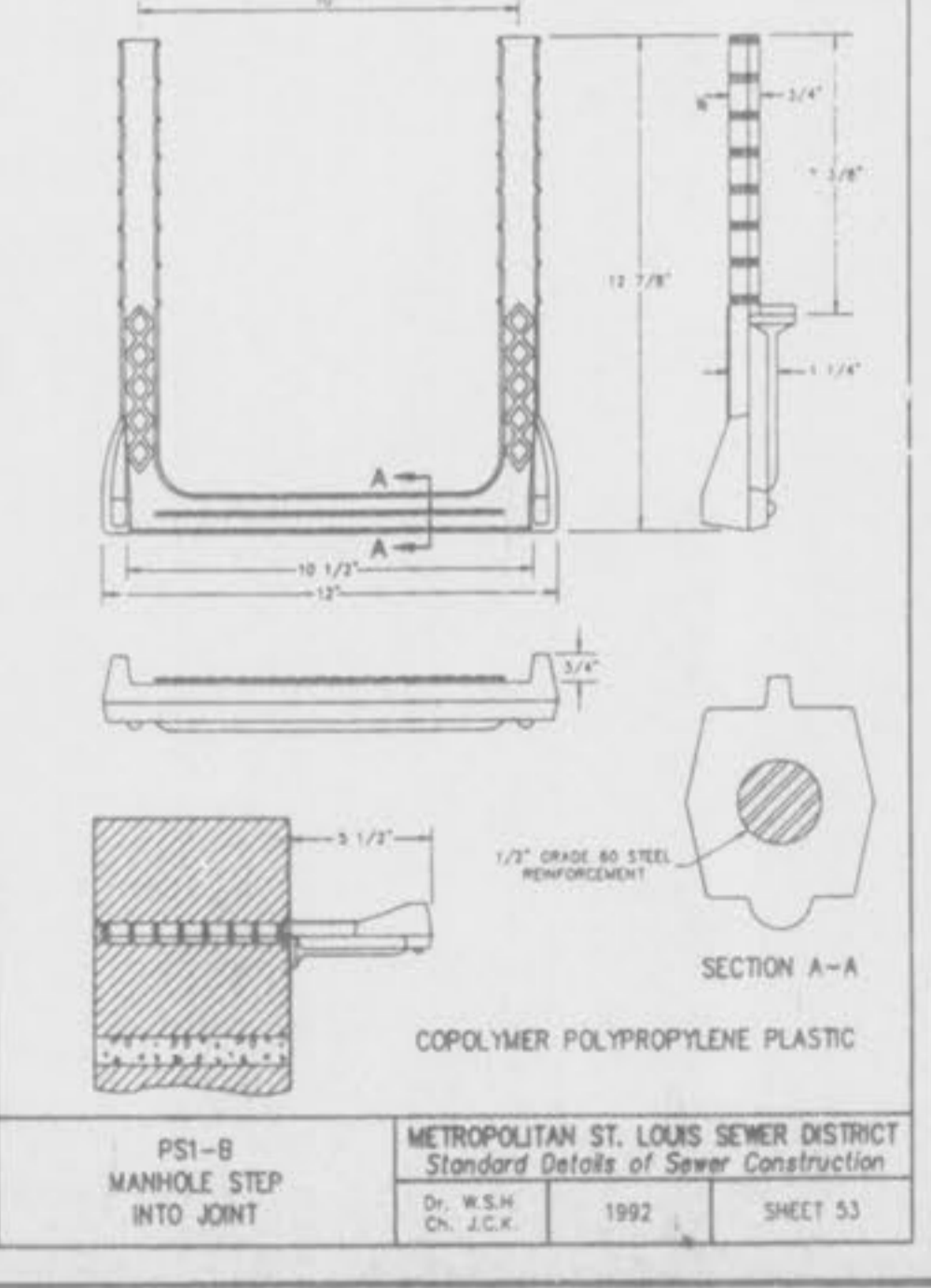
CAST IRON MANHOLE COVERS (LOCK TYPE)
 METROPOLITAN ST. LOUIS SEWER DISTRICT Standard Details of Sewer Construction
 D. W.S.H. 1992 SHEET 50
 Ch. J.C.K.



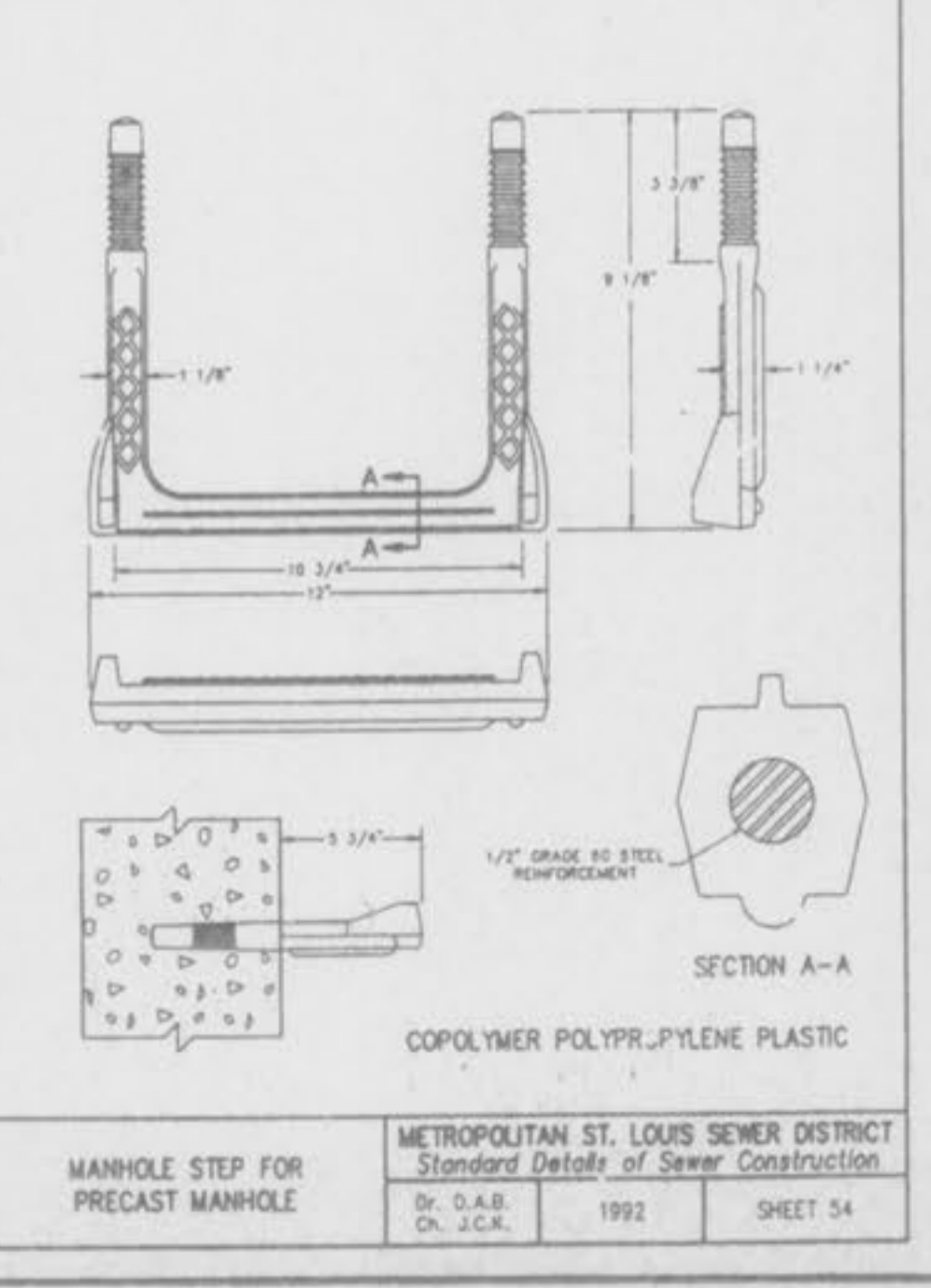
LOCKING DEVICE FOR TYPE T LOCK TYPE MANHOLE COVER
 METROPOLITAN ST. LOUIS SEWER DISTRICT Standard Details of Sewer Construction
 D. R.G.W. 1992 SHEET 51
 Ch. J.C.K.



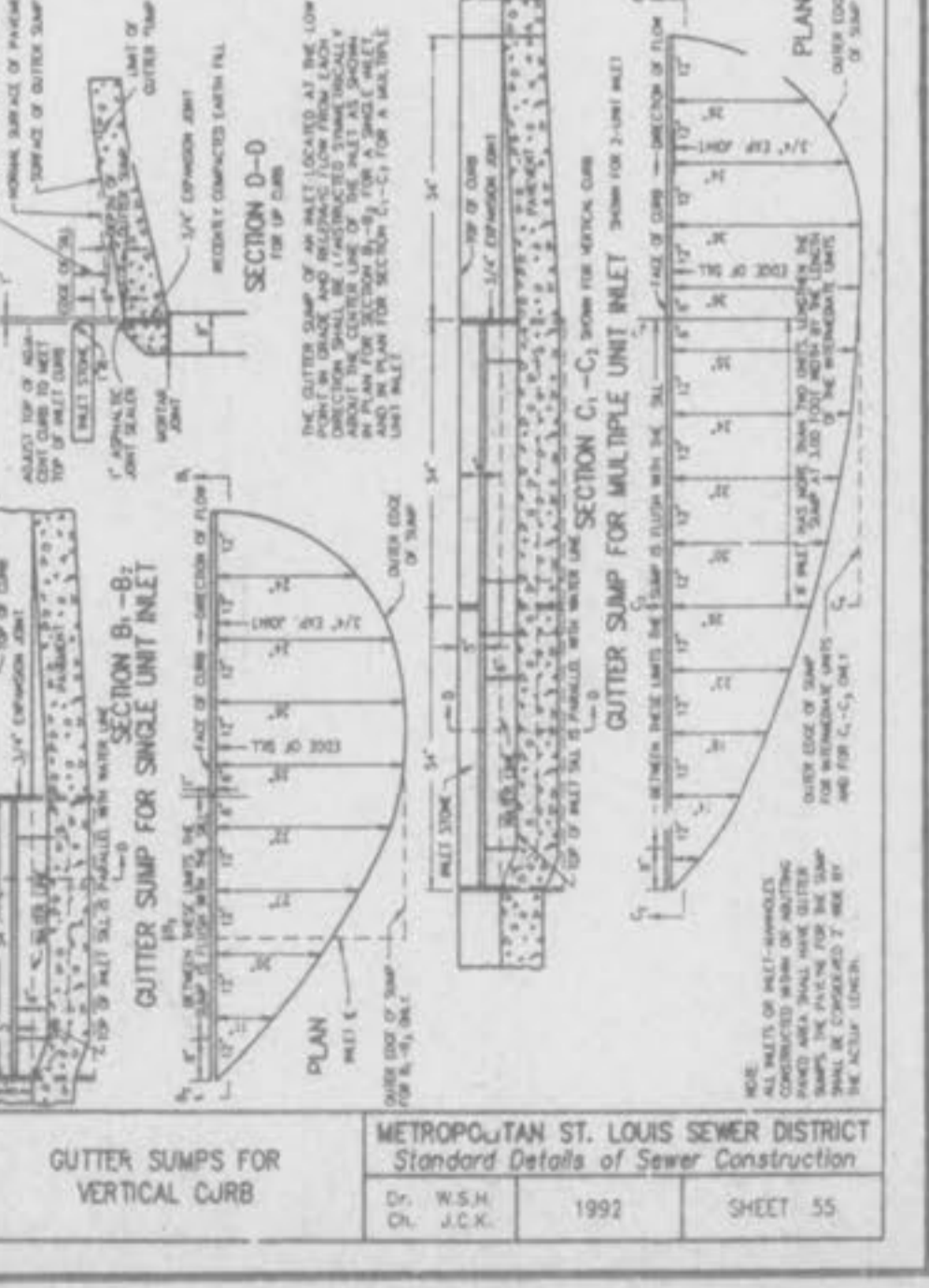
LOCKING DEVICE FOR TYPE N LOCK TYPE MANHOLE COVER
 METROPOLITAN ST. LOUIS SEWER DISTRICT Standard Details of Sewer Construction
 D. J.L.S. 1992 SHEET 52
 Ch. J.C.K.



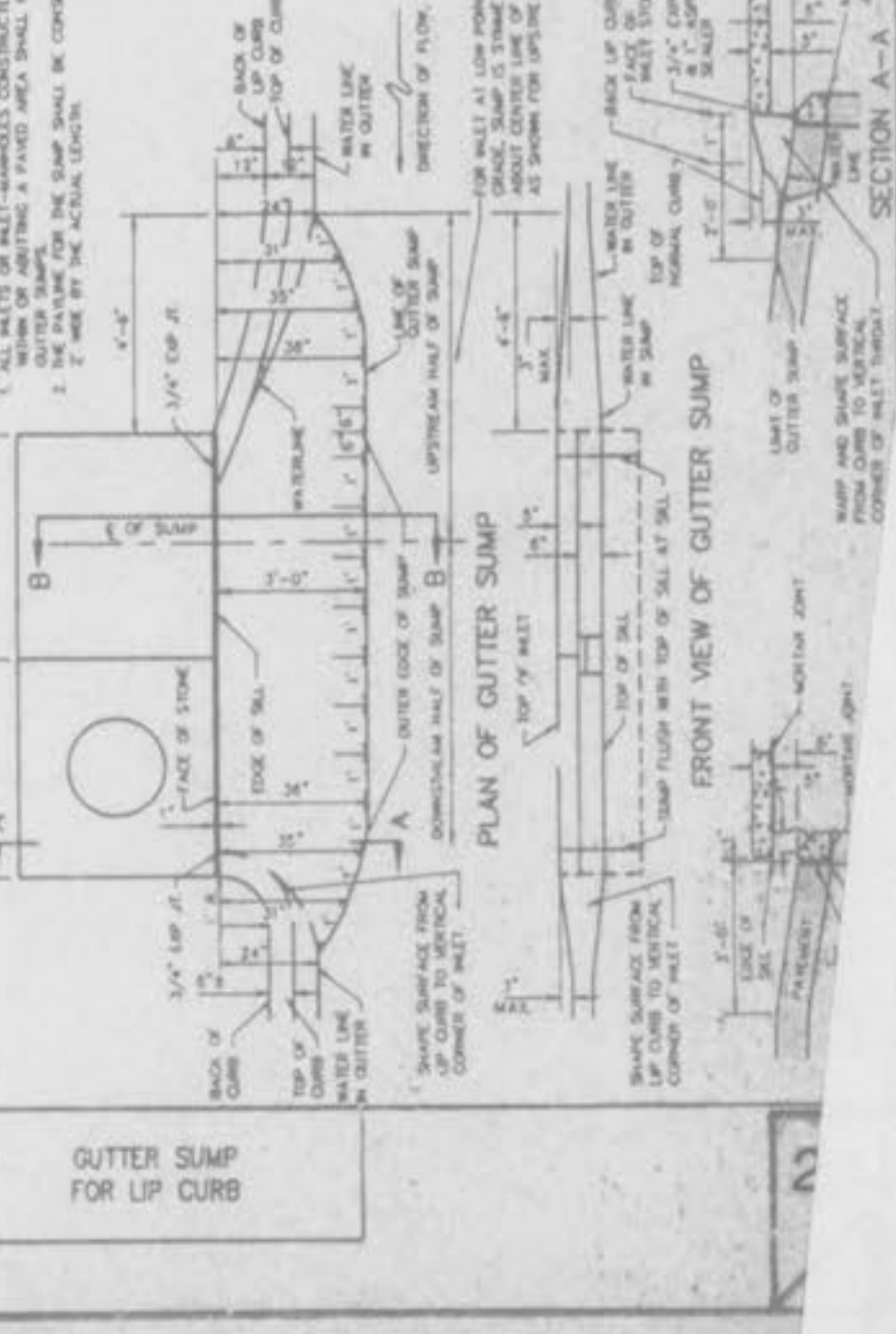
PSI-B MANHOLE STEP INTO JOINT
 METROPOLITAN ST. LOUIS SEWER DISTRICT Standard Details of Sewer Construction
 D. W.S.H. 1992 SHEET 53
 Ch. J.C.K.



MANHOLE STEP FOR PRECAST MANHOLE
 METROPOLITAN ST. LOUIS SEWER DISTRICT Standard Details of Sewer Construction
 D. D.A.B. 1992 SHEET 54
 Ch. J.C.K.



GUTTER SUMPS FOR VERTICAL CURB
 METROPOLITAN ST. LOUIS SEWER DISTRICT Standard Details of Sewer Construction
 D. W.S.H. 1992 SHEET 55
 Ch. J.C.K.



GUTTER SUMP FOR LIP CURB
 METROPOLITAN ST. LOUIS SEWER DISTRICT Standard Details of Sewer Construction
 D. W.S.H. 1992 SHEET 56
 Ch. J.C.K.