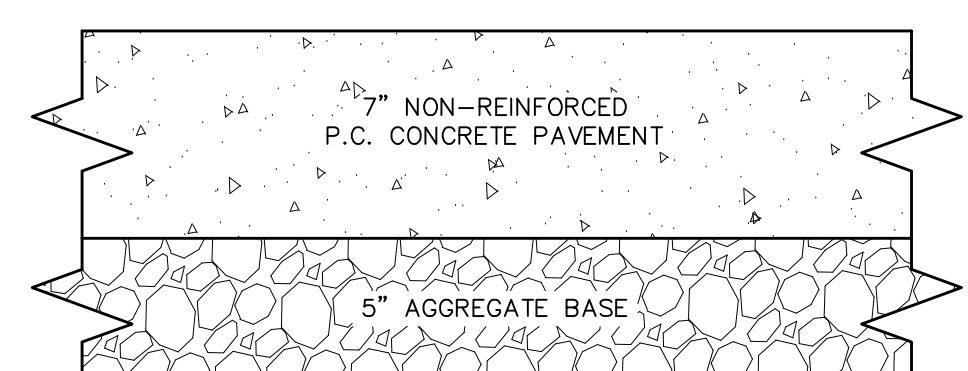
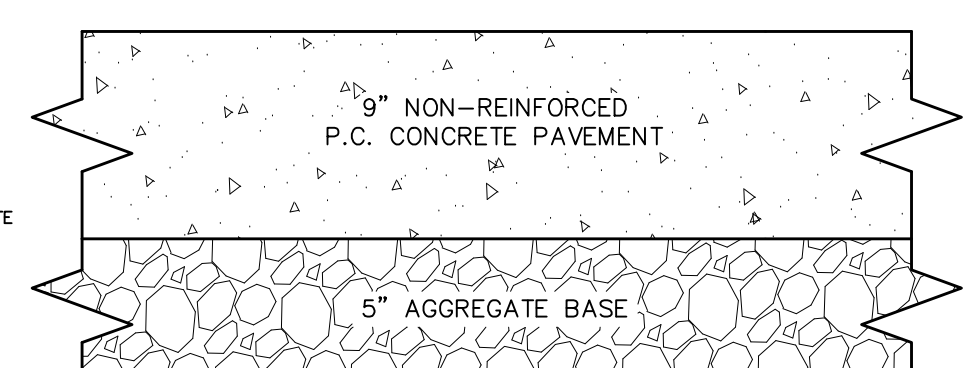


NOTE:
A CROSS-ACCESS EASEMENT OVER THE DRIVEWAYS WILL BE PROVIDED ON THE RECORD PLAT.

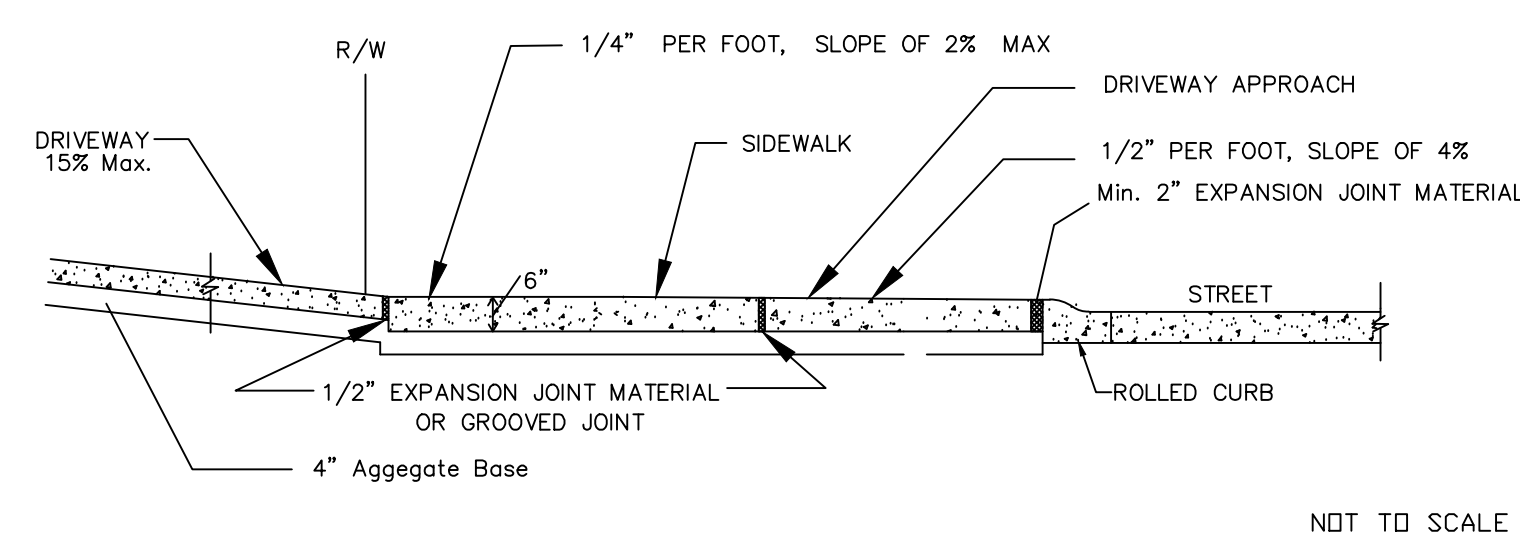
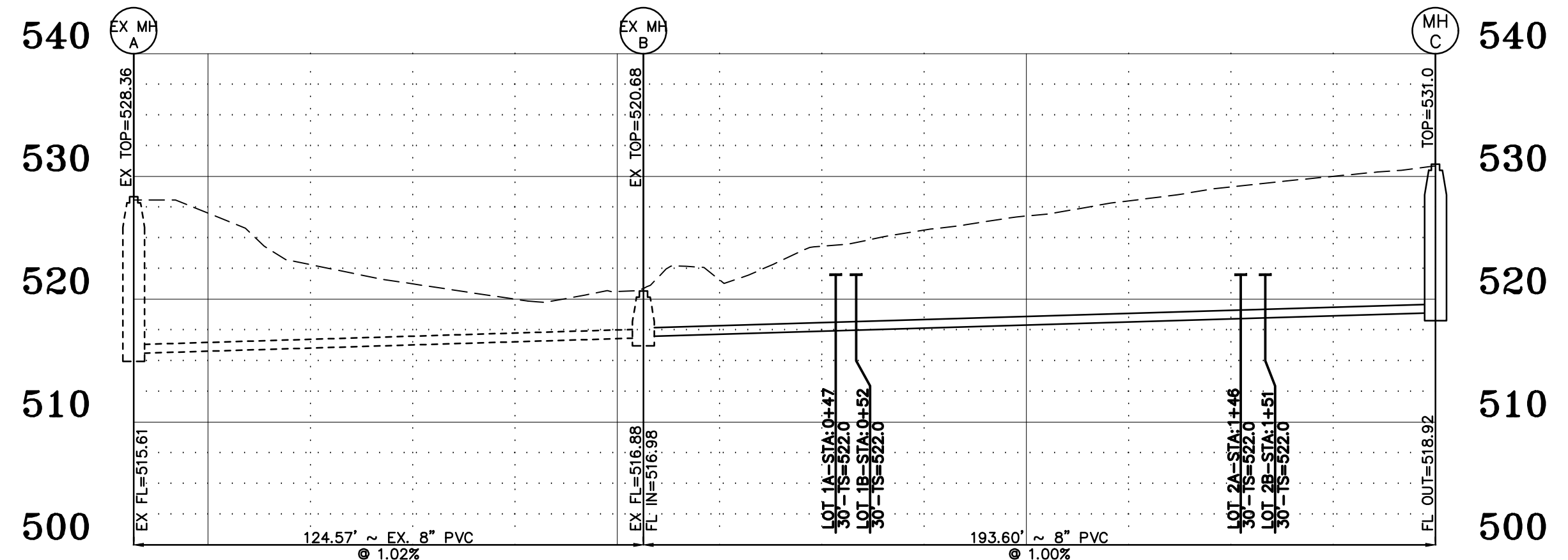
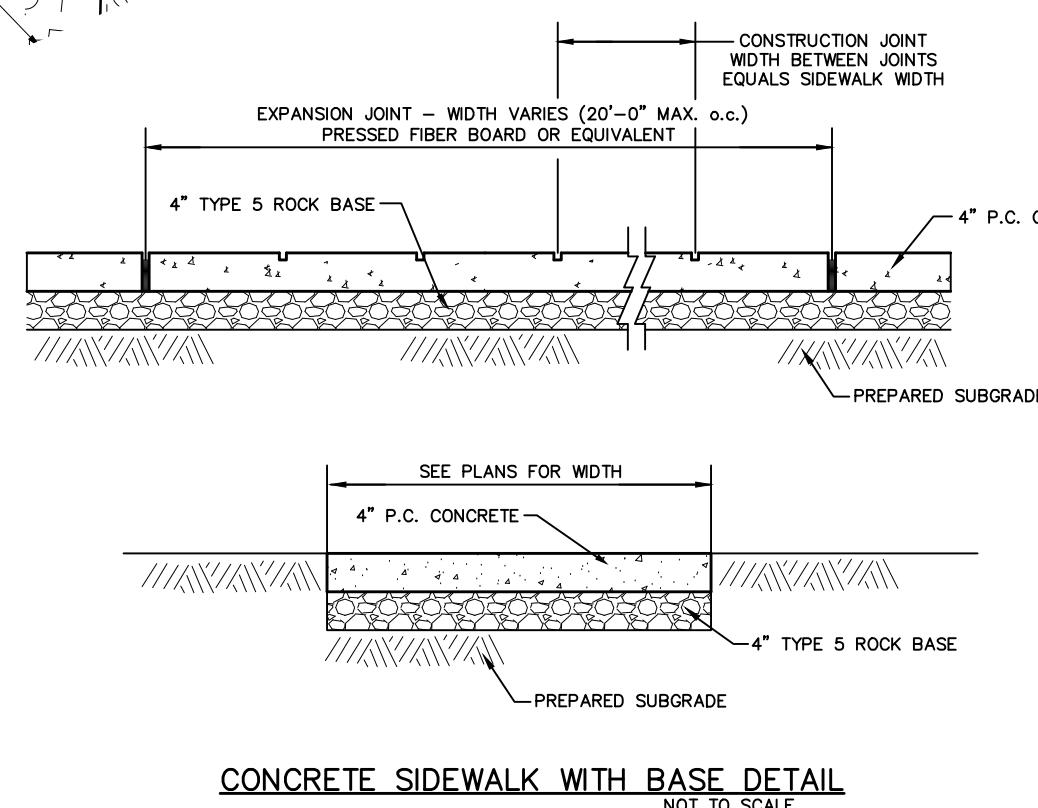
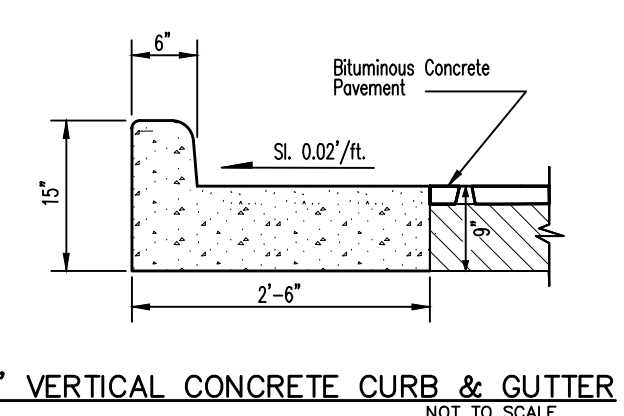
NOTE:
TRUCKS SHALL NOT PARK OR LOAD/UNLOAD ON BELLEAU CREEK ROAD.



NOTE:
ALL NON-REINFORCED CONCRETE SHALL BE 4,000 P.S.I. AT 28 DAYS.

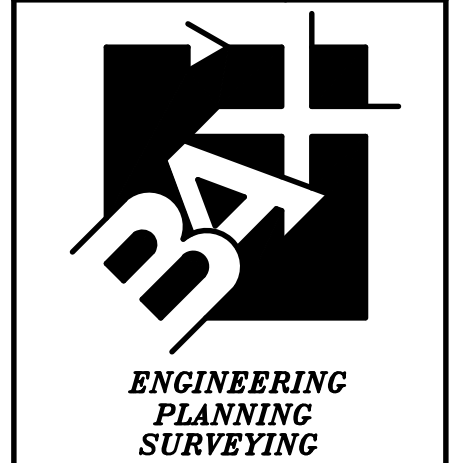


NOTE:
ALL NON-REINFORCED CONCRETE SHALL BE 4,000 P.S.I. AT 28 DAYS.



- NOTES:
- All driveway entrances shall be seven (7) inches P.C.C. in depth from the curb to the property line.
 - All driveway approaches constructed in conjunction with sidewalk shall give the appearance that the sidewalk is continuous. That portion of the driveway approach that doubles as a sidewalk shall have a one-fourth (1/4) inch per foot cross slope the same as the abutting sidewalk.
 - A two (2) inch expansion joint is required between the street and driveway approach.

A SET OF CONSTRUCTION PLANS FOR
SANITARY SEWER & WATER MAIN EXTENSIONS FOR
ALPINE WOODS
#1601 BELLEAU CREEK ROAD
ST. CHARLES COUNTY, MO 63366

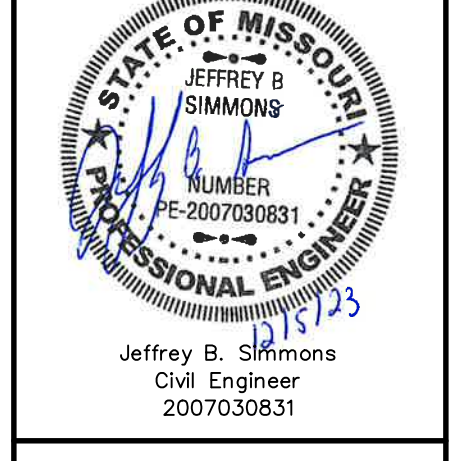


221 Point West Blvd.
St. Charles, MO 63301
636-928-5552
FAX 928-1718

Box Engineering Company, Inc.
Missouri State Certificate of Authority
Engineering #00055
Missouri State Certificate of Authority
Surveying #00144

REVISIONS	CITY COMMENTS
05/18/23	CITY COMMENTS
06/13/23	CLIENT COMMENTS
06/15/23	CLIENT COMMENTS
08/11/23	CITY OF O'FALLON & ST. PETERS COMMENTS
10/26/23	CITY OF O'FALLON & ST. PETERS COMMENTS
11/14/23	CITY OF O'FALLON & ST. PETERS COMMENTS
12/05/23	CITY OF ST. PETERS COMMENTS

DISCLAIMER OF RESPONSIBILITY
I hereby disclaim any responsibility for all other drawings, specifications, estimates, reports or other documents or instruments relating to or intended to be used for any part or parts of the architectural or engineering project or survey other than those authenticated by my seal.



12/06/2022
DATE
22-18692
PROJECT NUMBER
18692CON.DWG
FILE NAME
CLM
DRAWN
JBS JBS
DESIGNED CHECKED

SITE PLAN

C-3