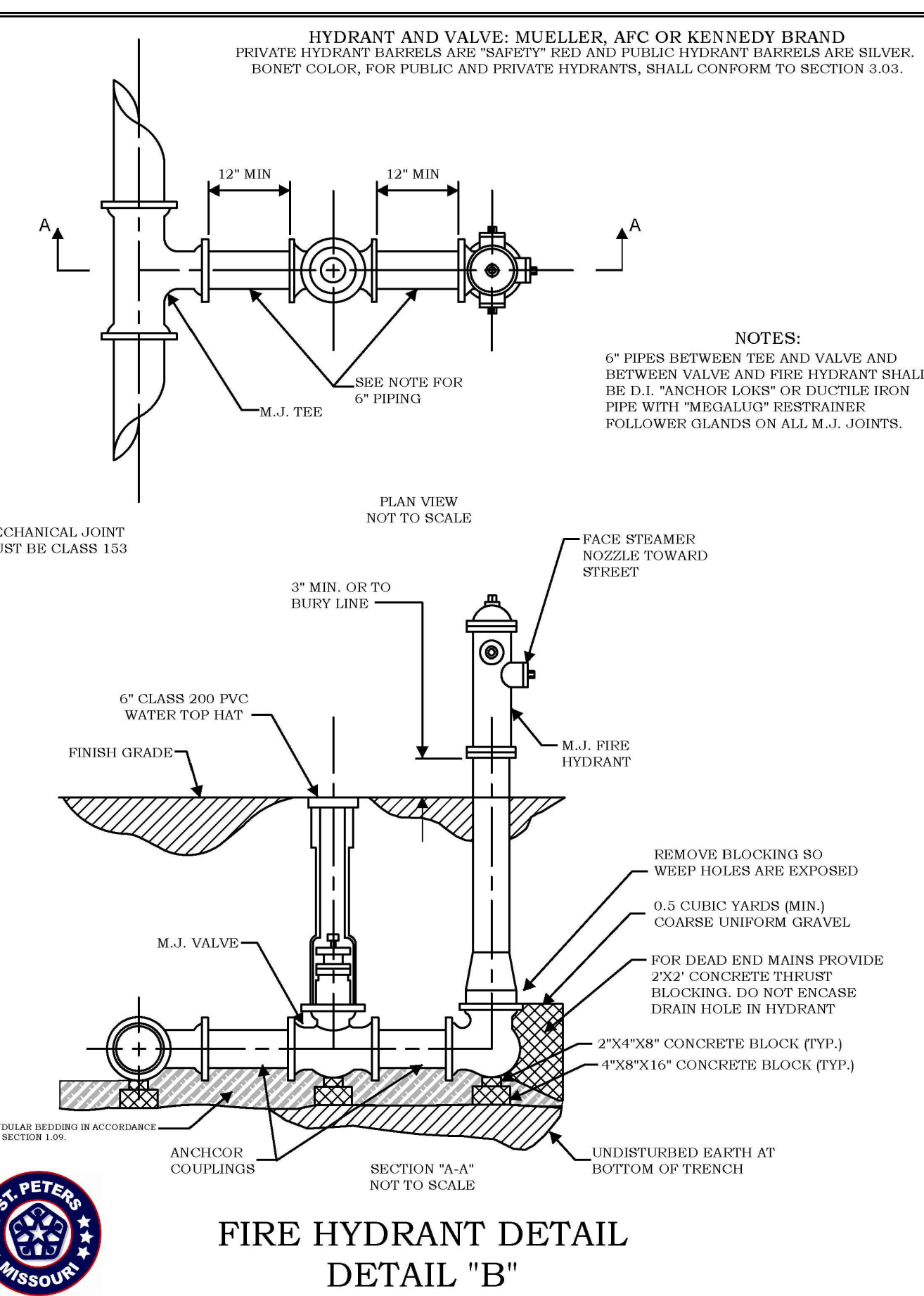
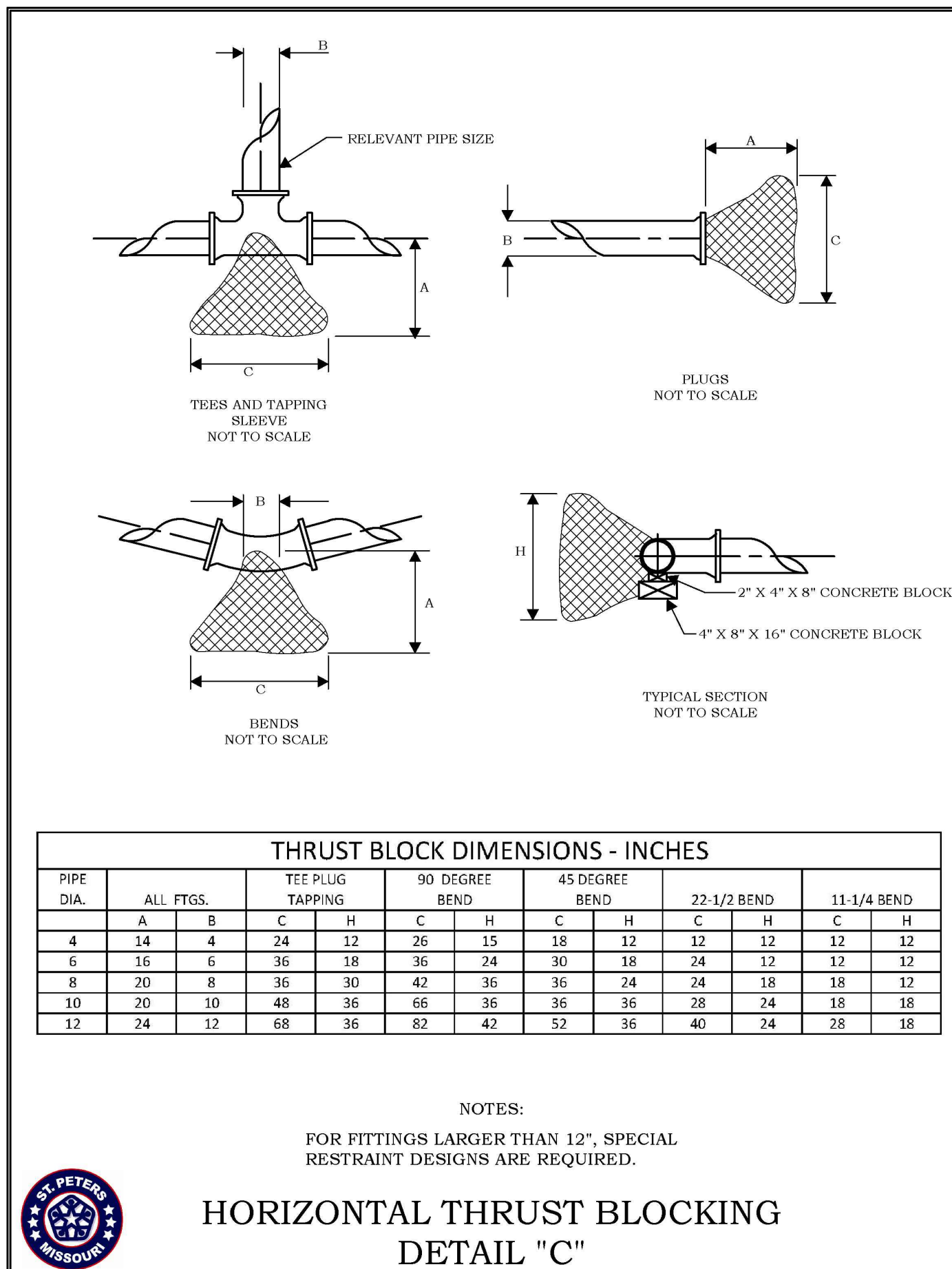


NOTES:
1. SEE SPECIFICATIONS FOR ADDITIONAL DETAILS FOR BEDDING AND BACKFILL.

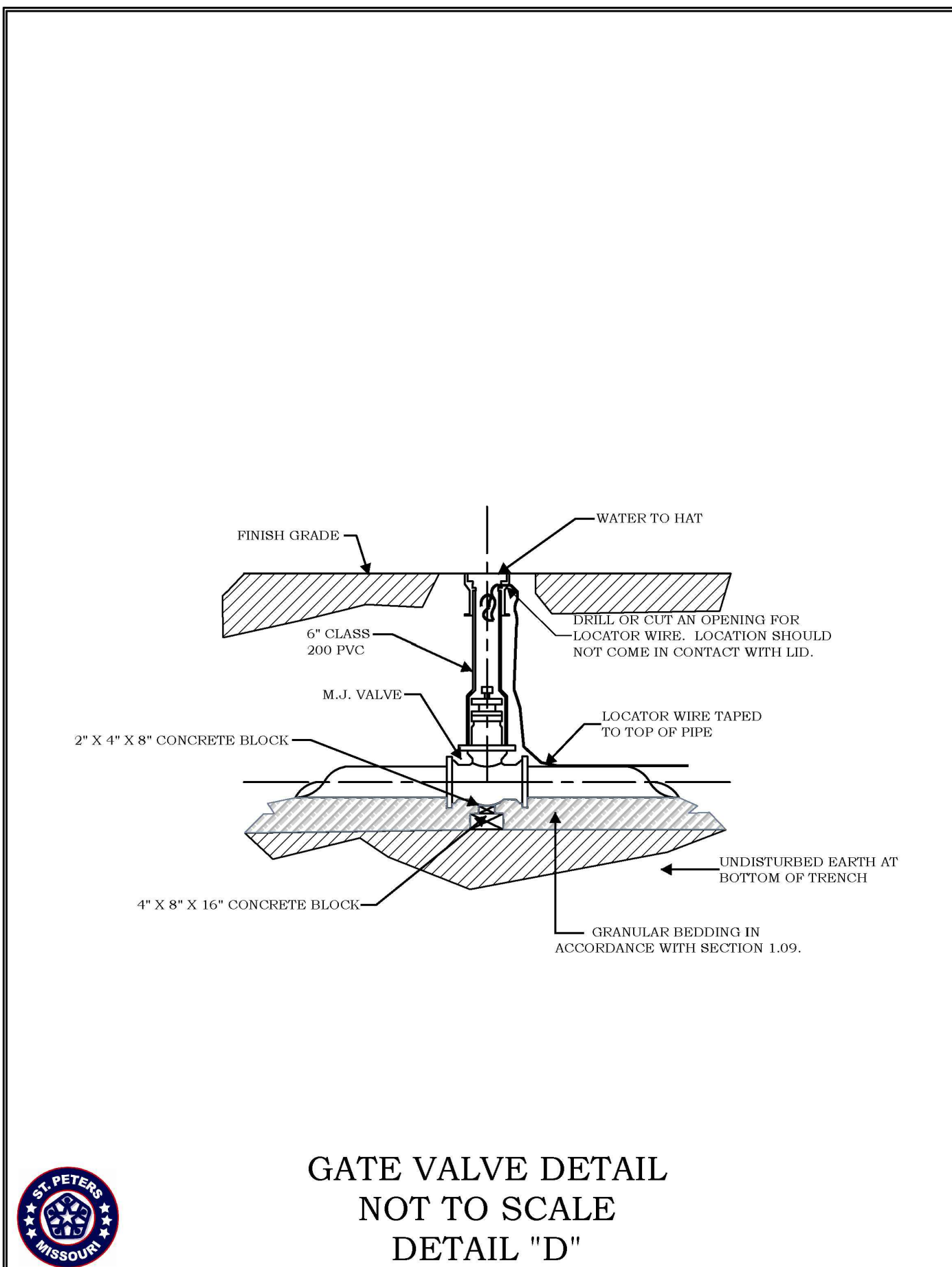
TYPICAL TRENCH SECTION FOR PVC PIPE DETAIL "A"
PG 1 OF 2



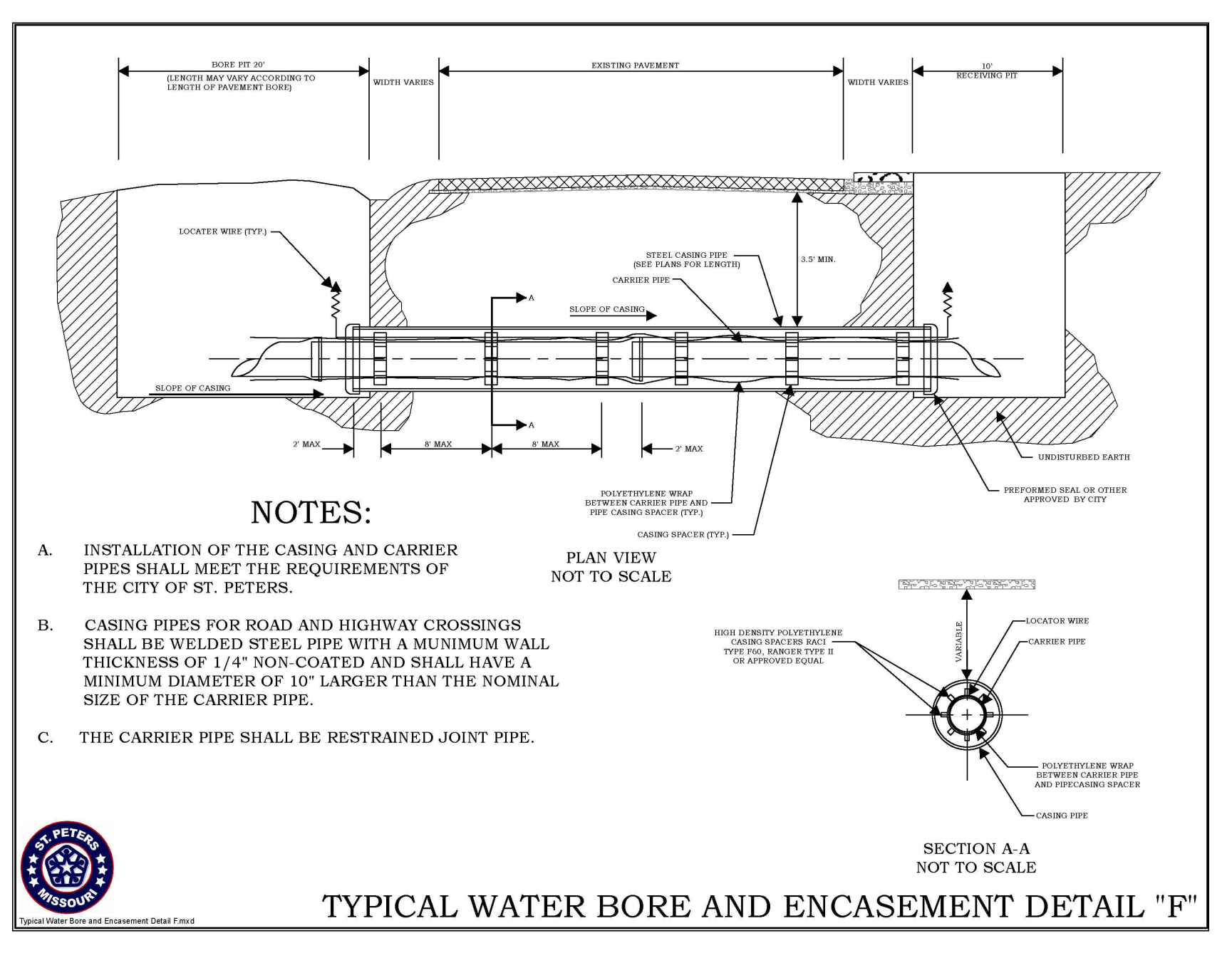
FIRE HYDRANT DETAIL "B"



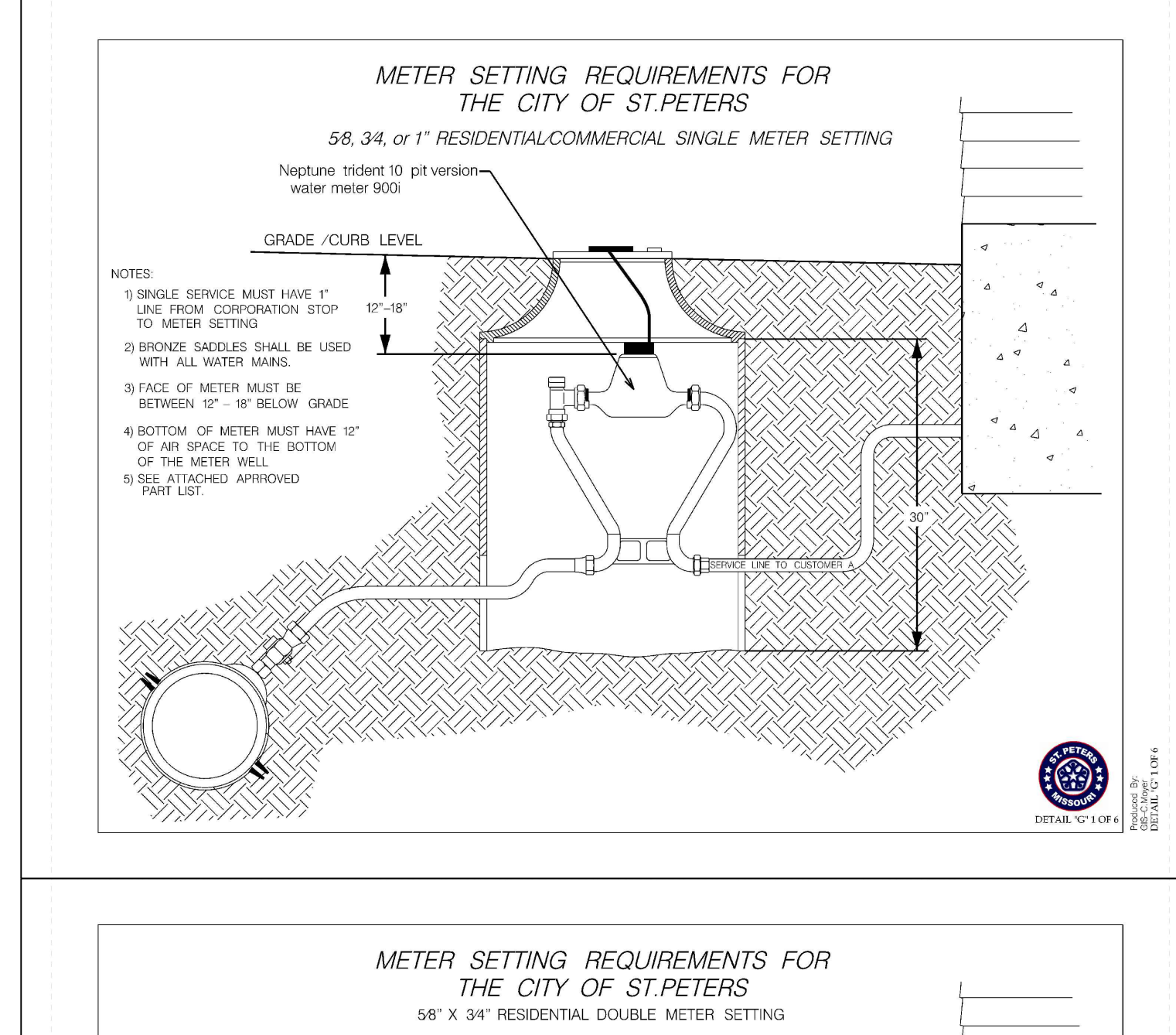
HORIZONTAL THRUST BLOCKING DETAIL "C"



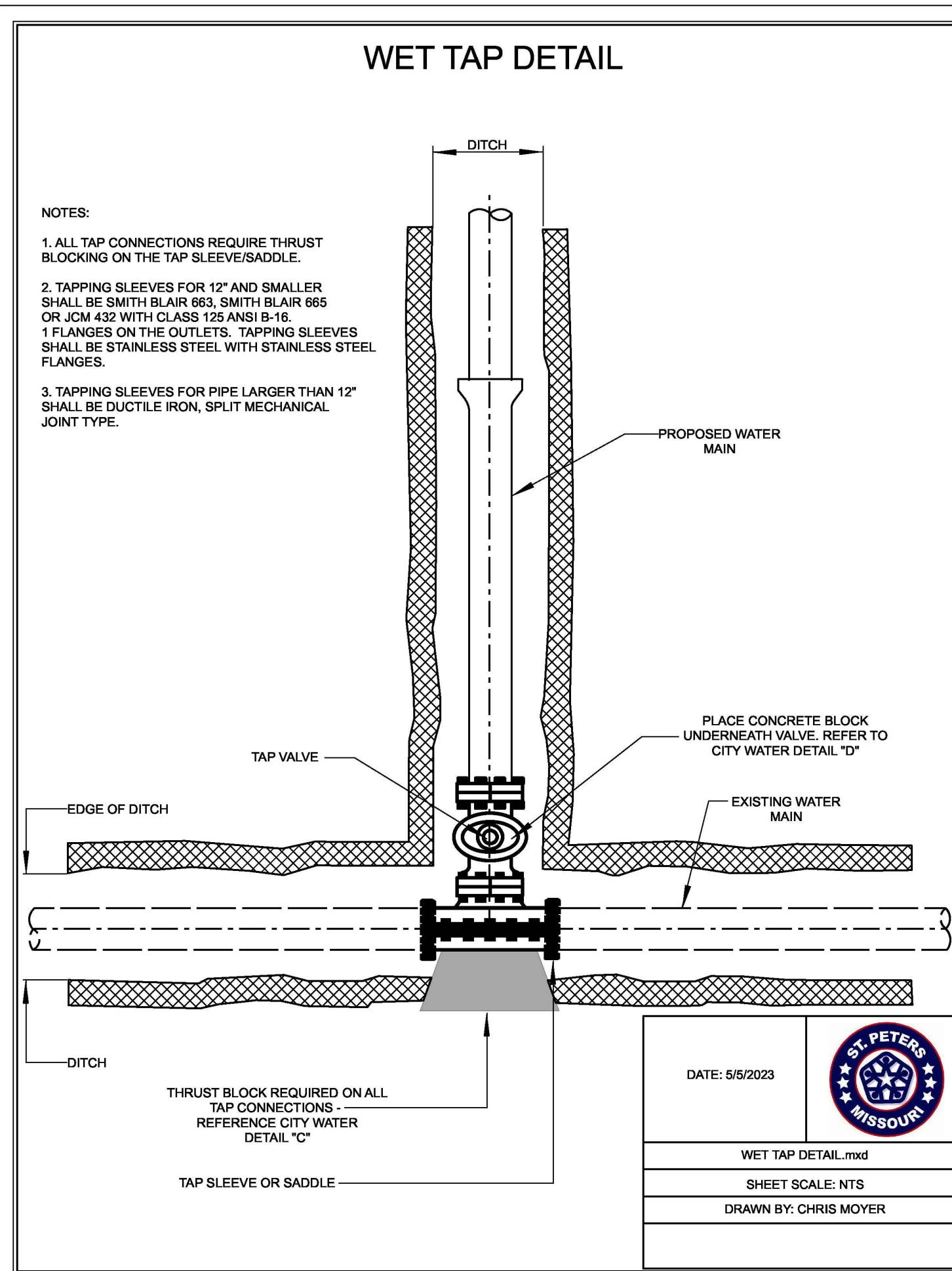
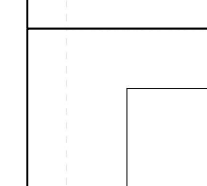
GATE VALVE DETAIL NOT TO SCALE DETAIL "D"



TYPICAL WATER BORE AND ENCASEMENT DETAIL "F"



METER SETTING REQUIREMENTS FOR THE CITY OF ST. PETERS



WET TAP DETAIL

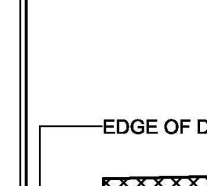
NOTES:
1. ALL TAP CONNECTIONS REQUIRE THRUST BLOCKING ON THE TAP SLEEVE/SADDLE.
2. TAPPING SLEEVES FOR 12" AND SMALLER SHALL BE SMITH BLAIR 663, SMITH BLAIR 665 OR JCM 432 WITH CLASS 125 ANSI B-16.1 FLANGES ON THE OUTLETS. TAPPING SLEEVES SHALL BE STAINLESS STEEL WITH STAINLESS STEEL FLANGES.
3. TAPPING SLEEVES FOR PIPE LARGER THAN 12" SHALL BE DUCTILE IRON, SPLIT MECHANICAL JOINT TYPE.

DATE: 5/5/2023

WET TAP DETAIL.mxd

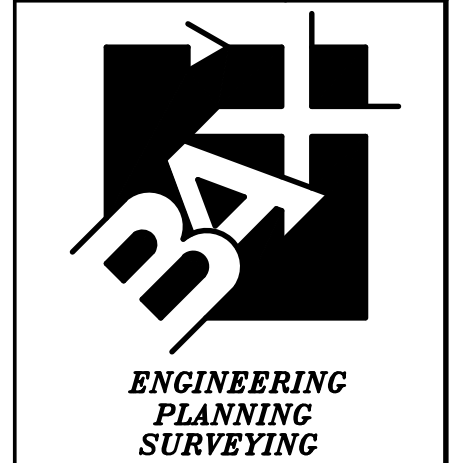
SHEET SCALE: NTS

DRAWN BY: CHRIS MOYER



ENGINEERS SEAL DOES NOT APPLY TO THE DETAILS ON THIS SHEET.

A SET OF CONSTRUCTION PLANS FOR SANITARY SEWER & WATER MAIN EXTENSIONS FOR **ALPINE WOODS** #1601 BELLEAU CREEK ROAD ST. CHARLES COUNTY, MO 63366



221 Point West Blvd. St. Charles, MO 63301 636-928-5552 FAX 928-1718

Box Engineering Company, Inc. Missouri State Certificate of Authority Engineering #000655 Missouri State Certificate of Authority Surveying #000144

REVISIONS	CITY COMMENTS
05/18/23	CITY COMMENTS
06/13/23	CLIENT COMMENTS
06/15/23	CLIENT COMMENTS
08/11/23	CITY OF O'FALLON & ST. PETERS COMMENTS
10/26/23	CITY OF O'FALLON & ST. PETERS COMMENTS
11/14/23	CITY OF O'FALLON & ST. PETERS COMMENTS
12/05/23	CITY OF ST. PETERS COMMENTS

DISCLAIMER OF RESPONSIBILITY I hereby disclaim any responsibility for all other drawings, specifications, estimates, reports or other documents or instruments relating to or intended to be used for any part or parts of the architectural or engineering project or survey other than those authenticated by my seal.

12/06/2022 DATE
22-18692 PROJECT NUMBER
18692CON.DWG FILE NAME
CLM CLM
JBS JBS
DESIGNED CHECKED

CITY OF ST. PETERS DETAILS

C-8