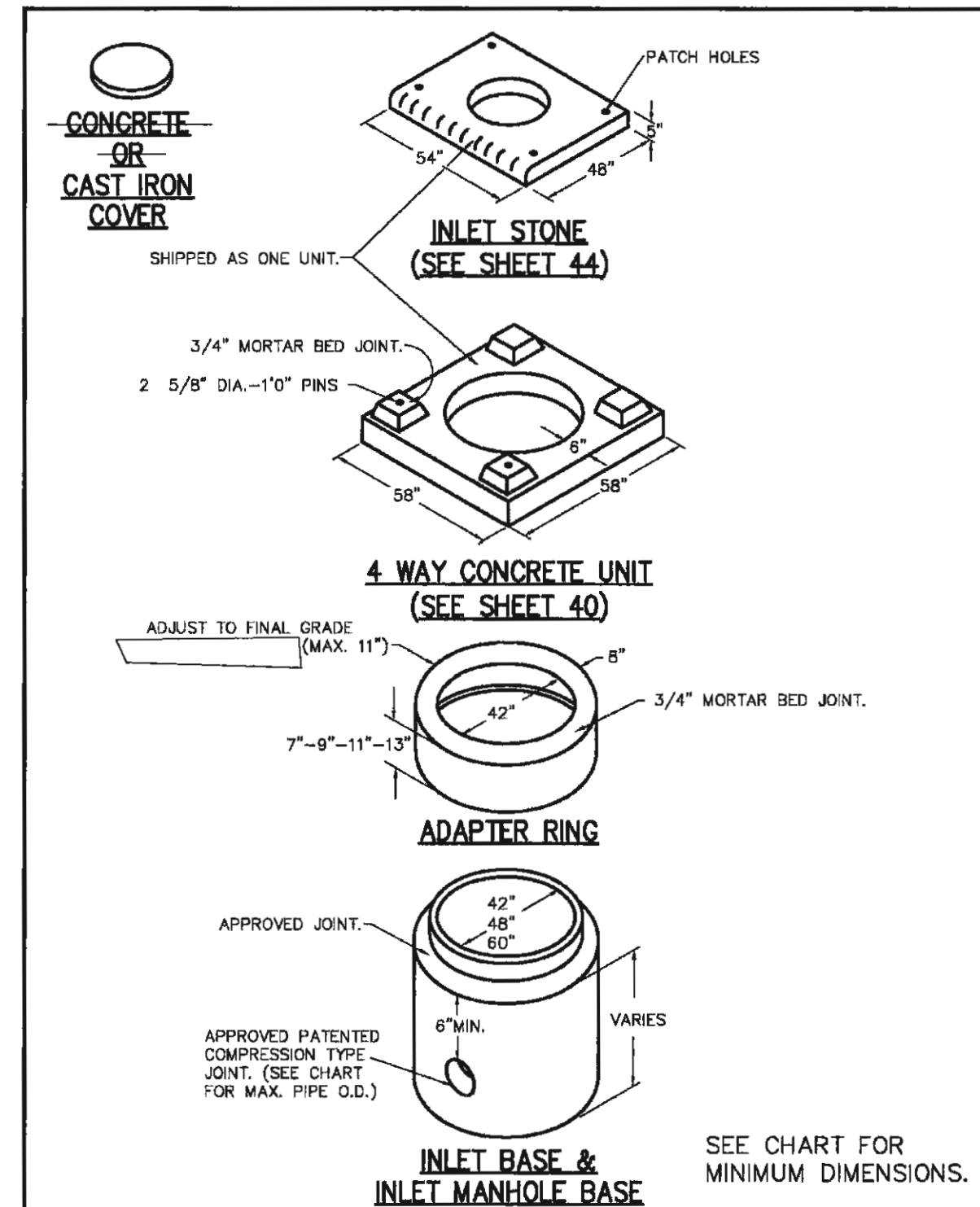


NOTE:  
FOR SEWERS 27 INCH THRU 42 INCH SEE DETAIL SHEET 11 FOR BOTTOM SECTION.

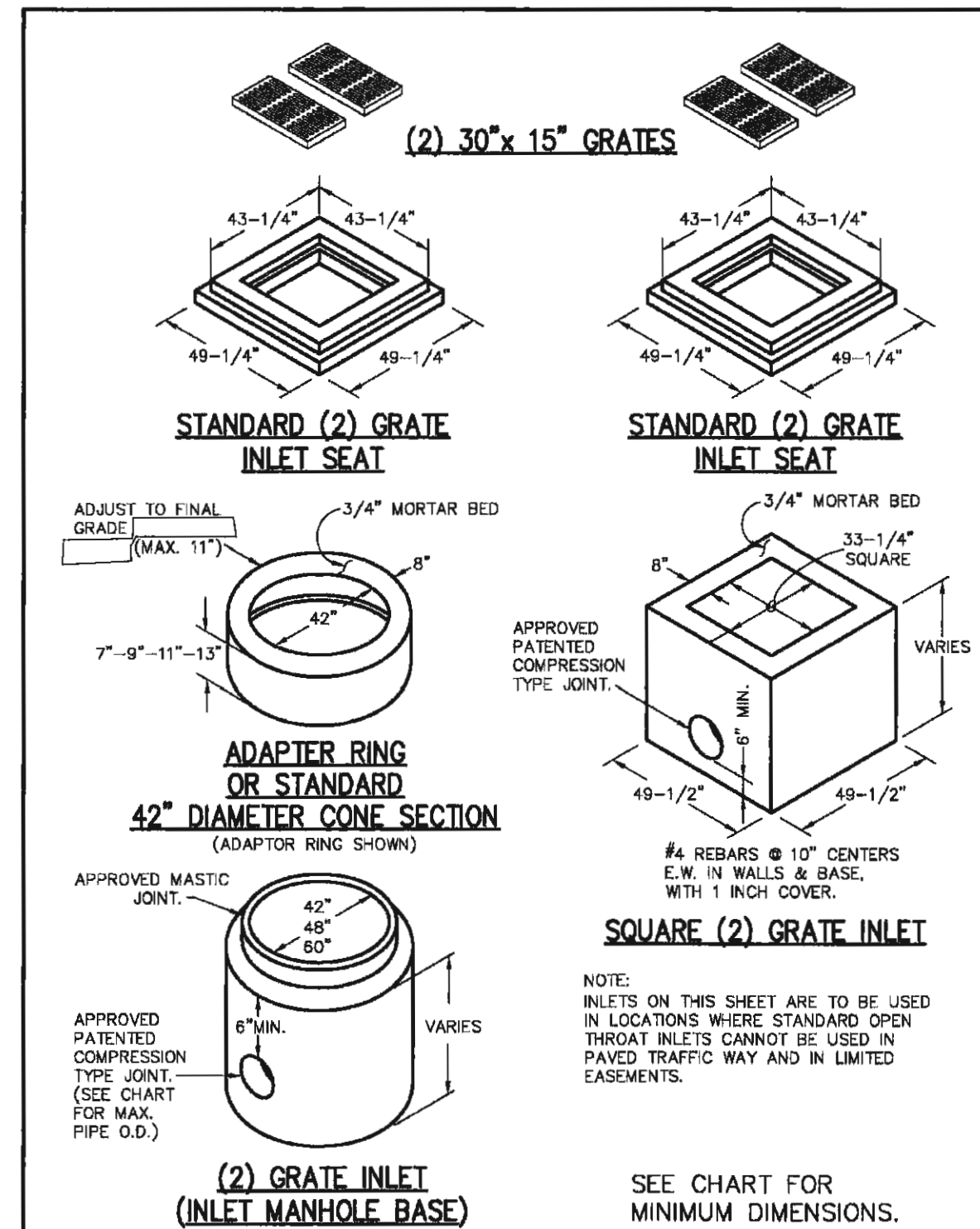
AREA INLET MANHOLE  
(12" THRU 24")

METROPOLITAN ST. LOUIS SEWER DISTRICT  
Standard Details of Sewer Construction  
Dr. RGV/SAM  
Ch. J.C.K. 2009 SHEET 29



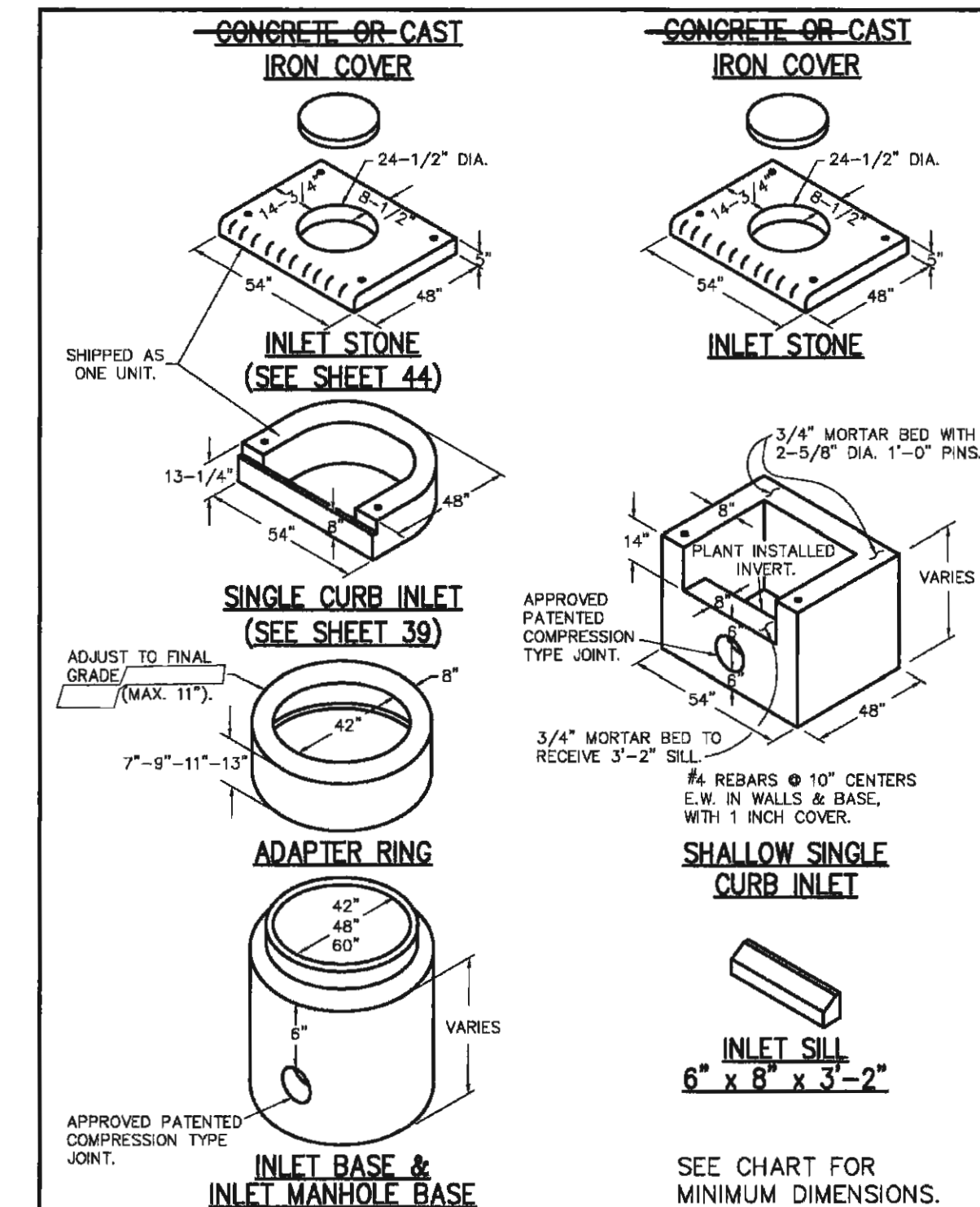
AREA INLET  
PRECAST CONCRETE

METROPOLITAN ST. LOUIS SEWER DISTRICT  
Standard Details of Sewer Construction  
Dr. JLG/SAM  
Ch. J.C.K. 2009 SHEET 34



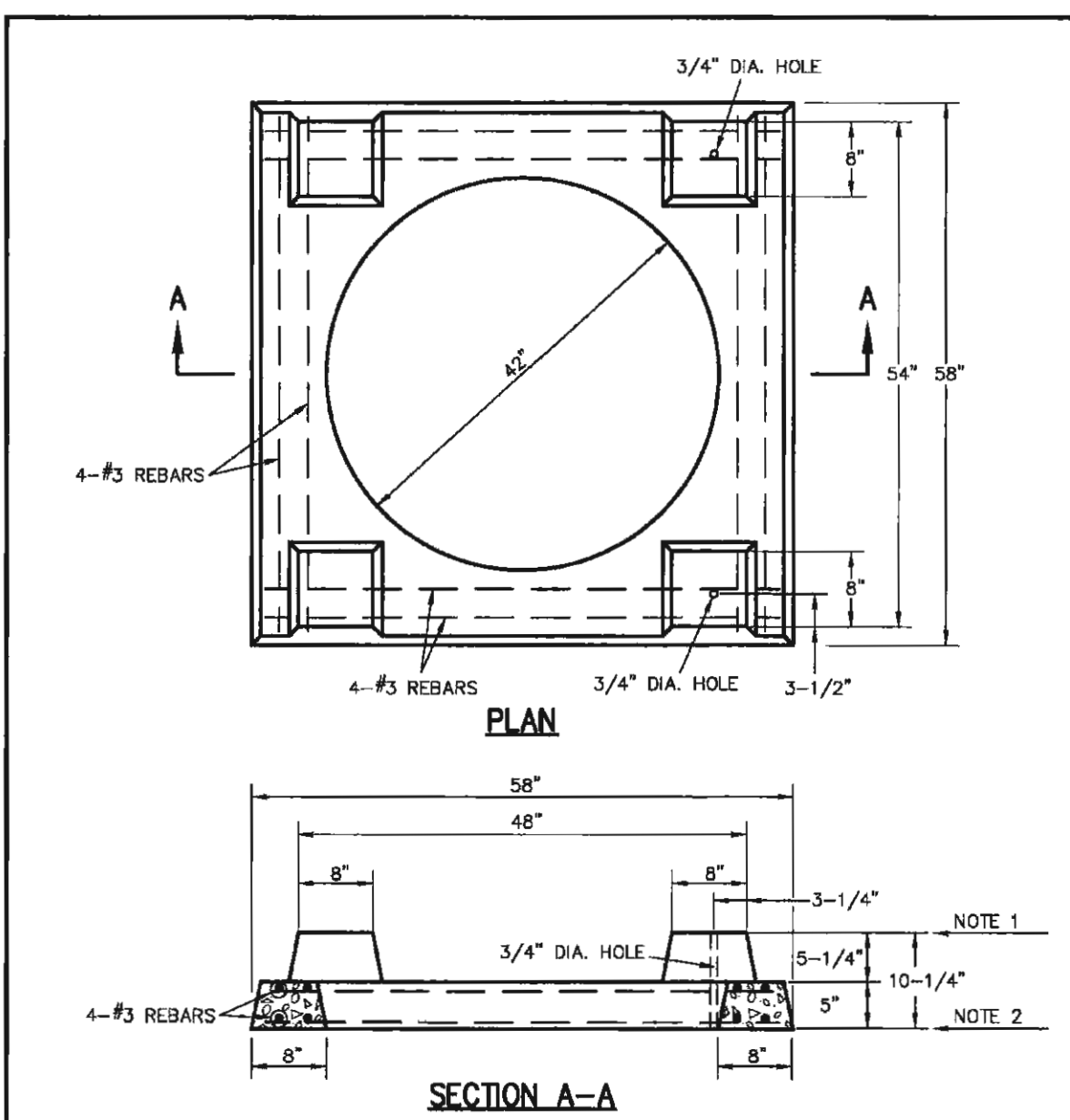
2 GRATE INLETS  
PRECAST CONCRETE

METROPOLITAN ST. LOUIS SEWER DISTRICT  
Standard Details of Sewer Construction  
Dr. JLG/SAM  
Ch. J.C.K. 2009 SHEET 35



SINGLE STREET INLETS  
PRECAST CONCRETE

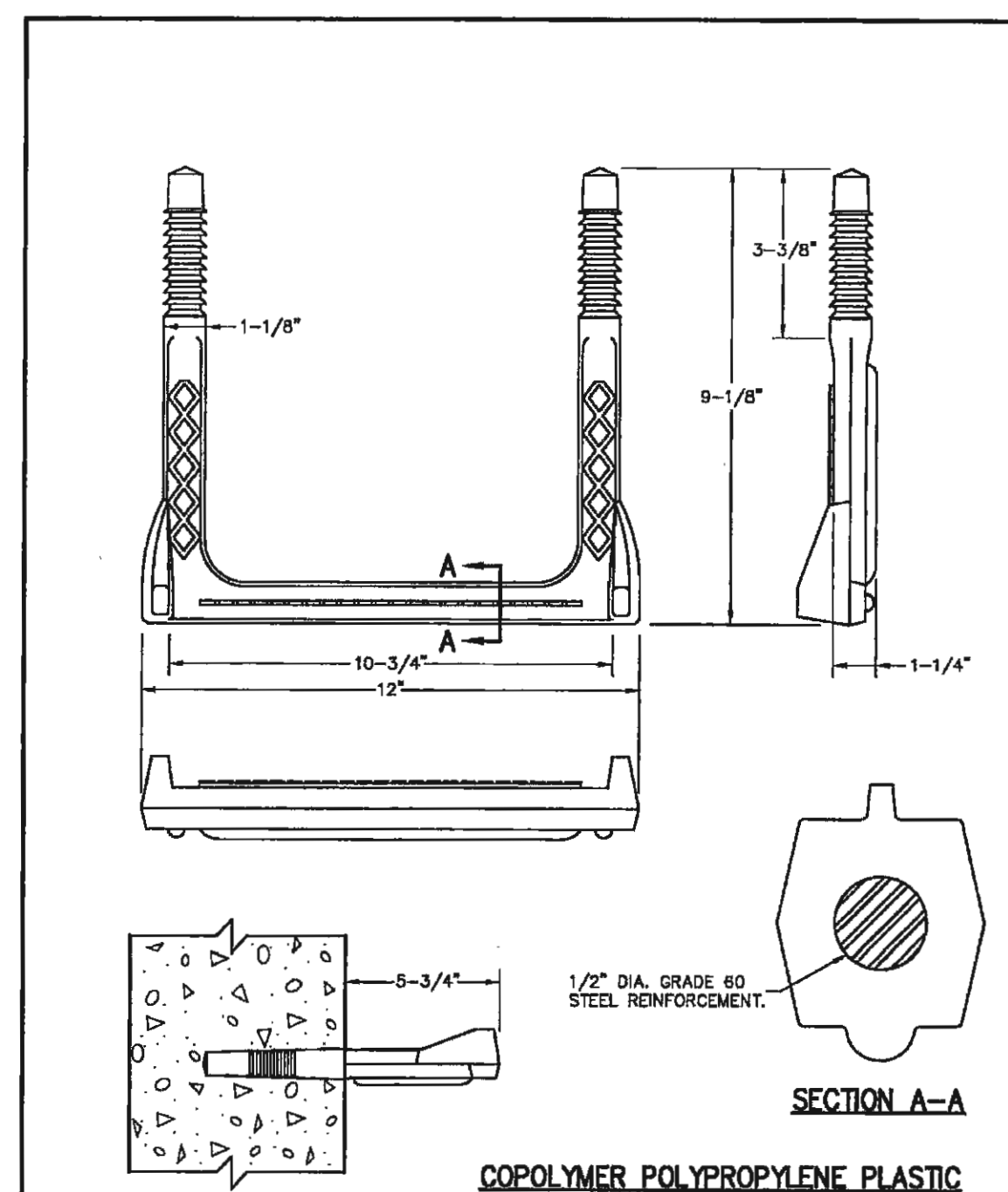
METROPOLITAN ST. LOUIS SEWER DISTRICT  
Standard Details of Sewer Construction  
Dr. JLG/SAM  
Ch. J.C.K. 2009 SHEET 36



NOTES:  
1) SET STANDARD INLET STONE IN 3/4" MORTAR BED AND DOWEL WITH 5/8" DIA. 1'-0" LONG PINS AND GROUT.  
2) RAISE TO FINAL GRADE WITH COURSES OF BRICK AND SET THE UNIT TO BASE WITH 3/4" MORTAR BED.  
3) THIS UNIT TO BE USED WITH 42 INCH I.D. BASE.  
4) 5000 P.S.I. CONCRETE IS REQUIRED.

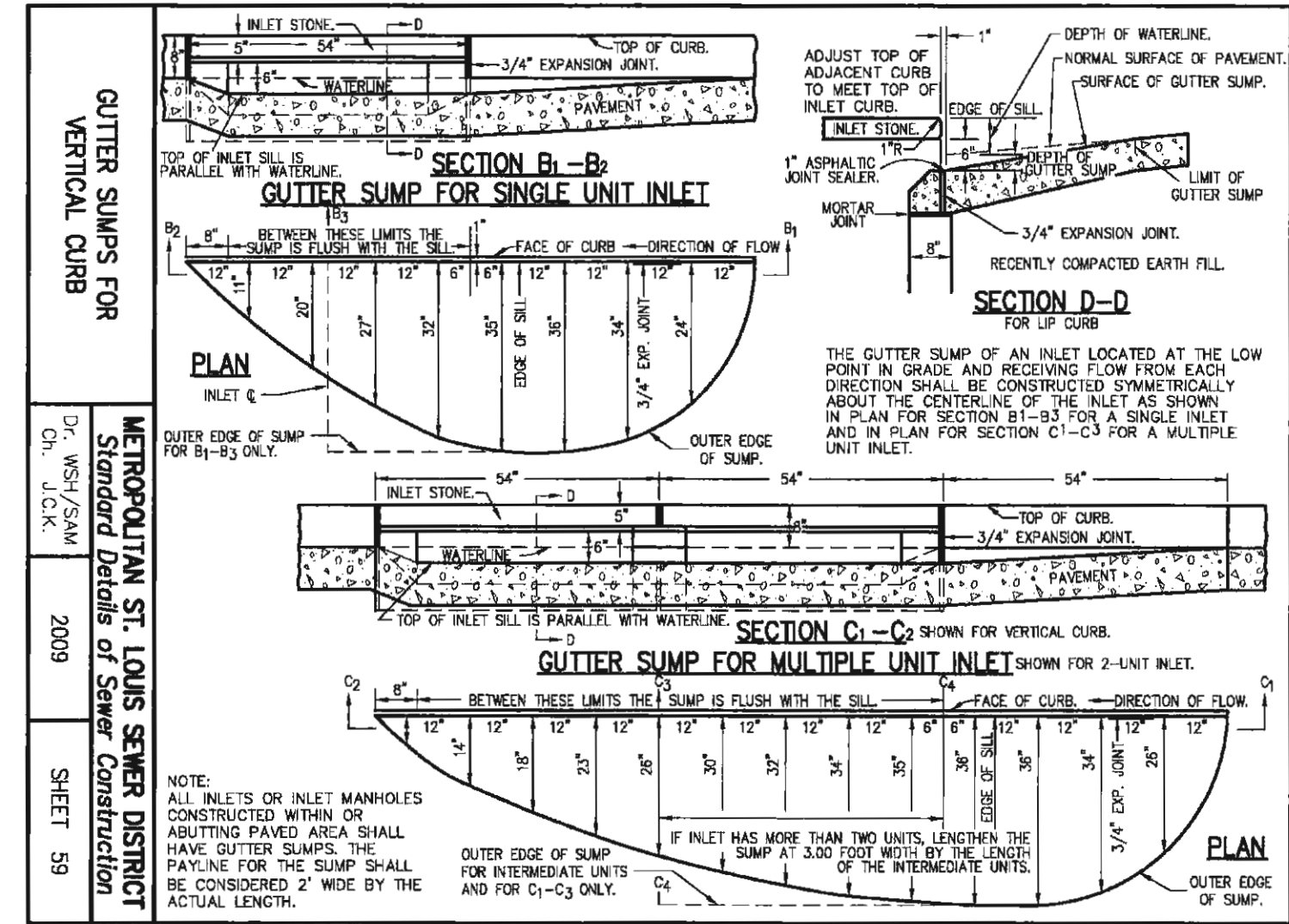
PRECAST CONCRETE UNIT  
FOR  
4 WAY AREA INLET

METROPOLITAN ST. LOUIS SEWER DISTRICT  
Standard Details of Sewer Construction  
Dr. DAB/SAM  
Ch. J.C.K. 2009 SHEET 40



MANHOLE STEP FOR  
PRECAST & CAST-IN-PLACE  
MANHOLE

METROPOLITAN ST. LOUIS SEWER DISTRICT  
Standard Details of Sewer Construction  
Dr. D.A.B.  
Ch. J.C.K. 2009 SHEET 58



GUTTER SUMPS FOR  
VERTICAL CURB

METROPOLITAN ST. LOUIS SEWER DISTRICT  
Standard Details of Sewer Construction  
Dr. WSH/SAM  
Ch. J.C.K. 2009 SHEET 59

PROJECT TITLE:  
ALTAIR AT THE PRESERVE  
(FKA WINGHAVEN POINTE)

ENGINEERING  
SURVEYING  
221 Point West Blvd.  
St. Charles, MO 63301  
636-928-5552  
FAX 636-928-1718



DISCLAIMER OF RESPONSIBILITY  
I hereby specify that the documents intended to be  
distributed by my firm are limited to this sheet,  
and I hereby disclaim any responsibility for all  
drawings, specifications, estimates, reports or other  
documents or instruments relating to or intended to  
be used for any part or parts of the architectural or  
engineering project or survey.

REVISIONS	
04/25/2016	DCSD # 198502 COMMENTS
05/16/2016	CITY REVIEW
06/15/2016	CITY REVIEW & DCSD COMMENTS
07/29/2016	CITY REVIEW
08/04/2016	MODOT REVIEW
06/28/2017	MODOT REVIEW

Developer / Owner:  
ROLWES DEVELOPMENT, L.L.C.  
13100 MANCHESTER ROAD, SUITE 65  
ST. LOUIS, MISSOURI 63131  
314-821-9600

REFERENCE DETAILS

P+Z No. #9831.65.02  
City No. #  
Page No.

32 of 38

ENGINEERS SEAL DOES NOT APPLY TO CITY OF O'FALLON DETAILS ON THIS SHEET.