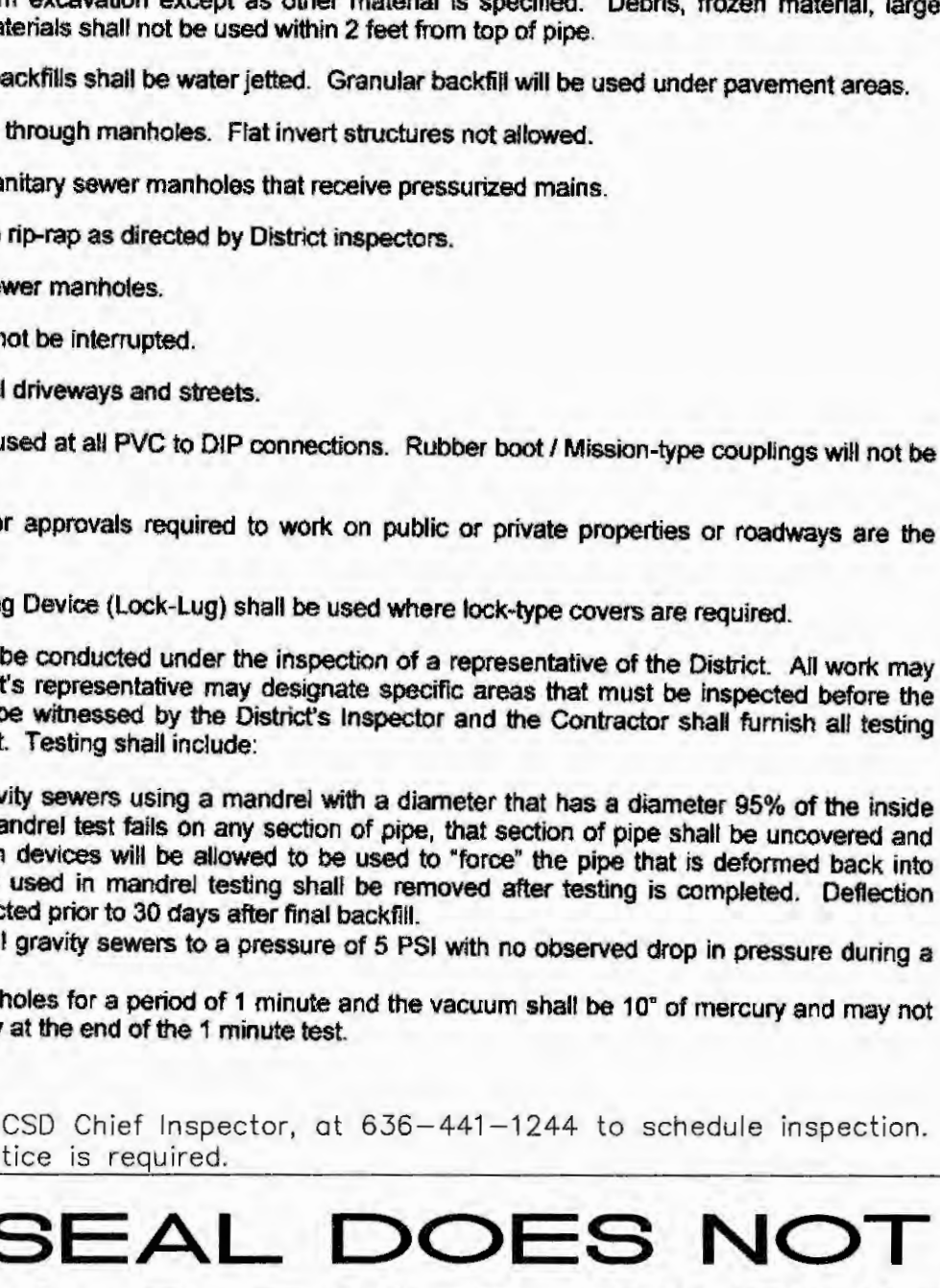
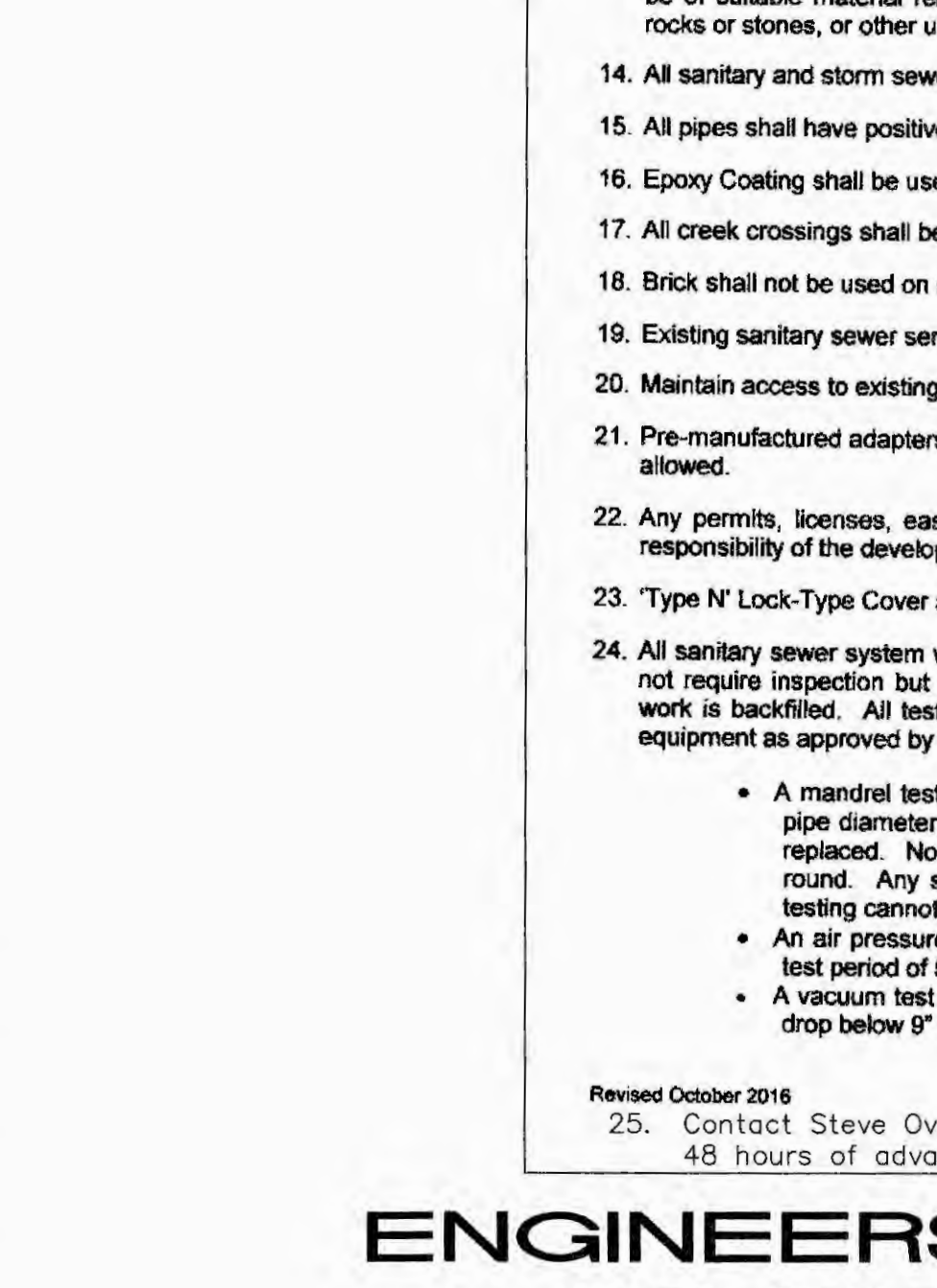
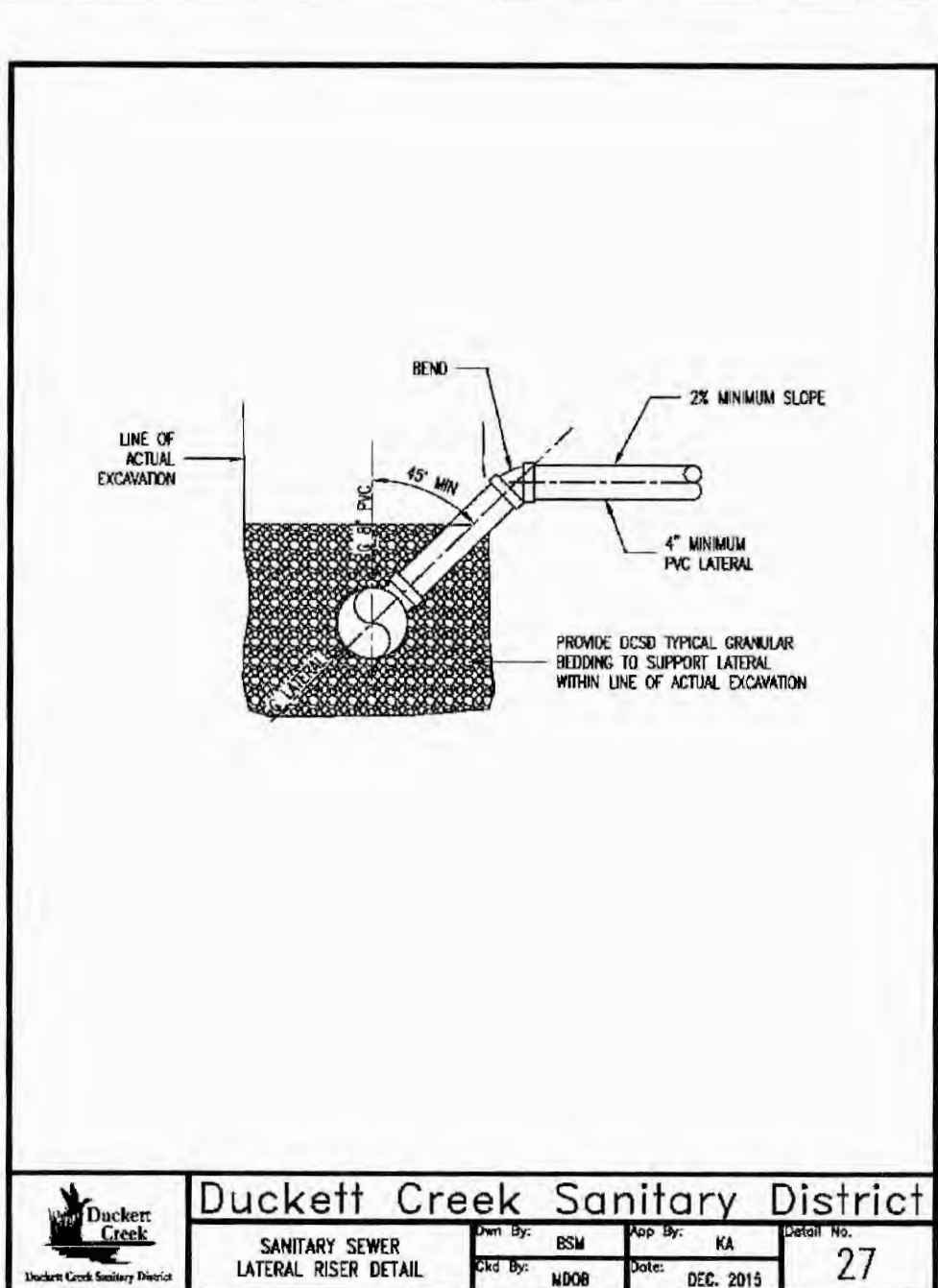
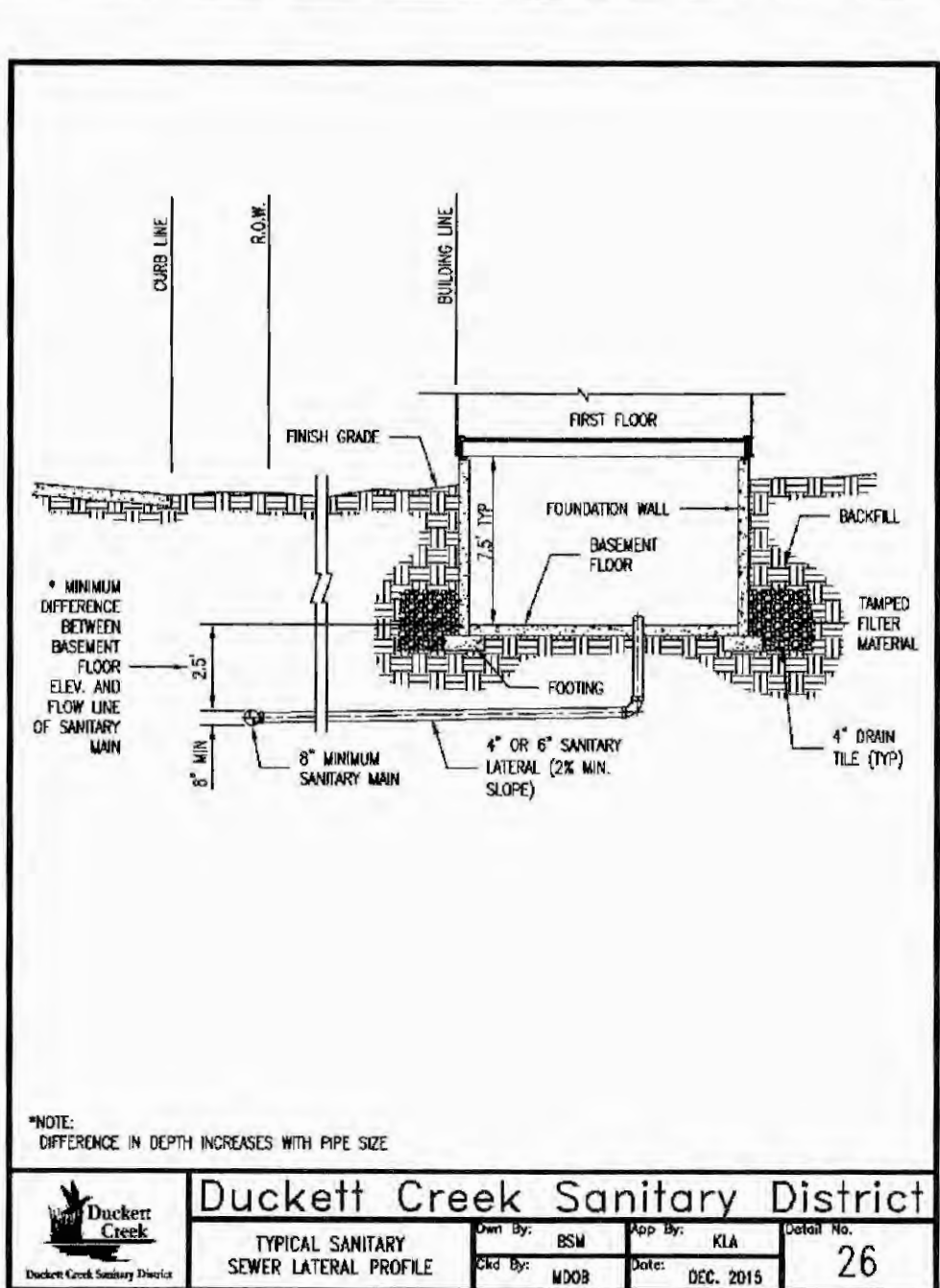
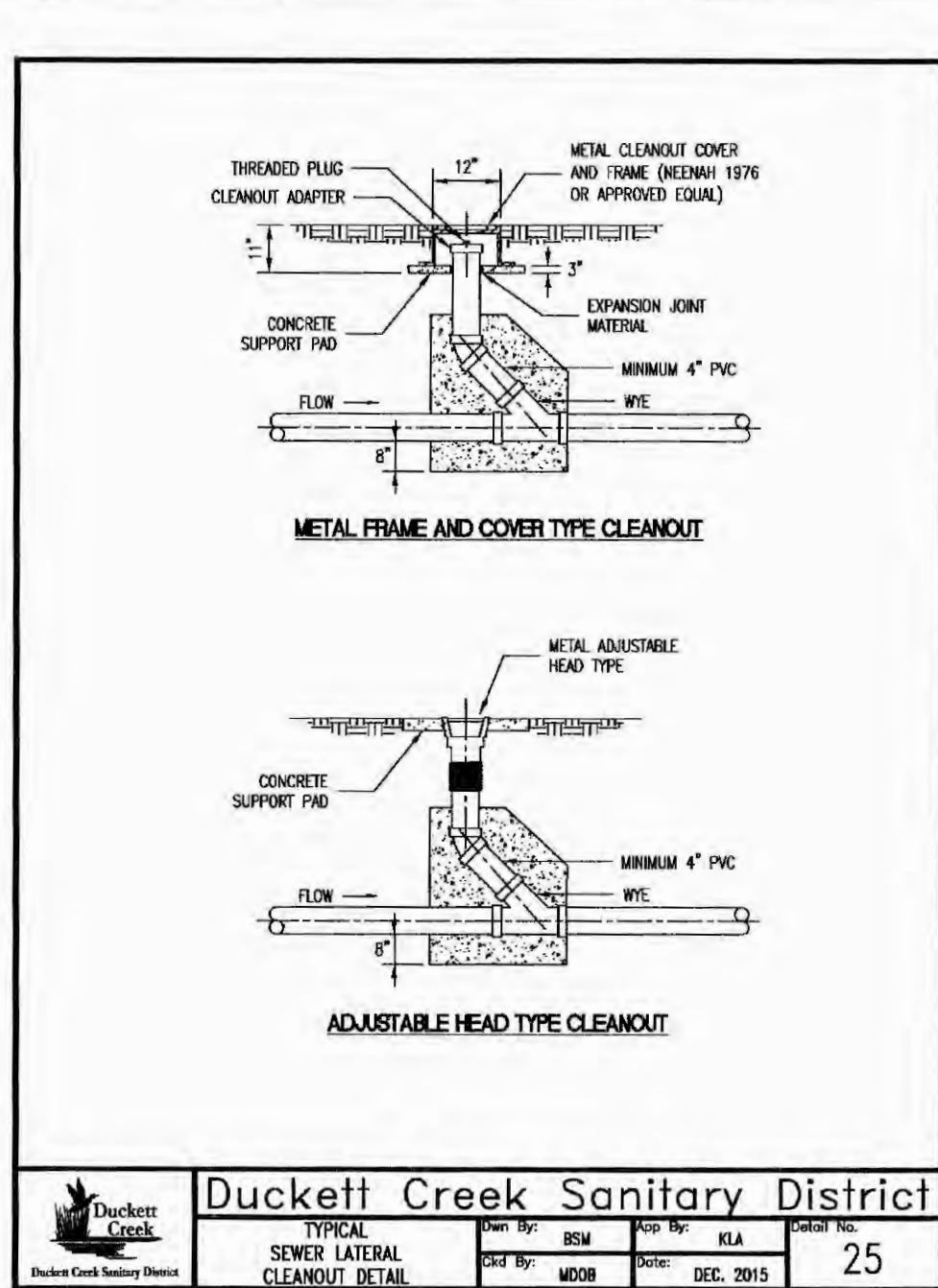
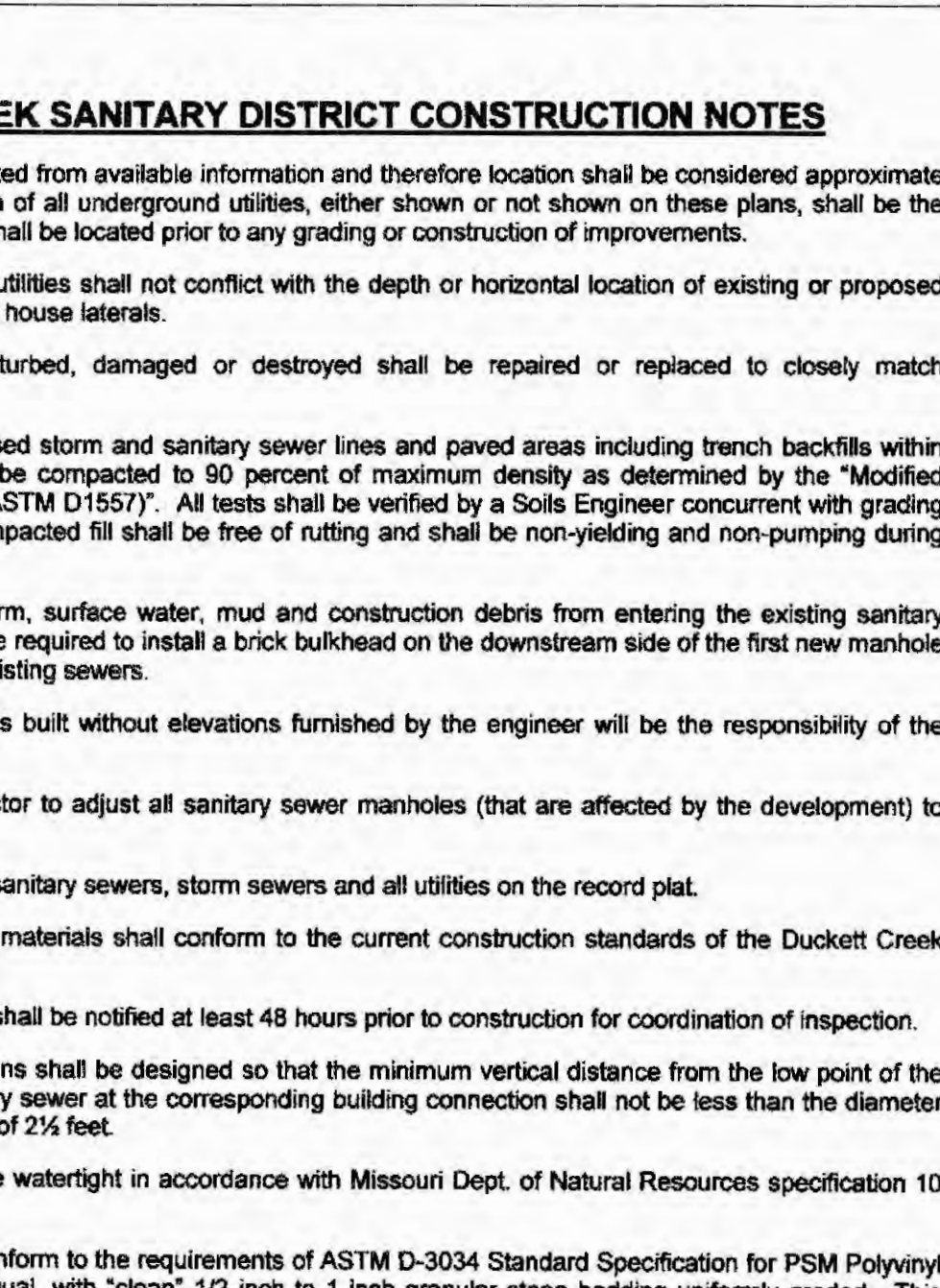
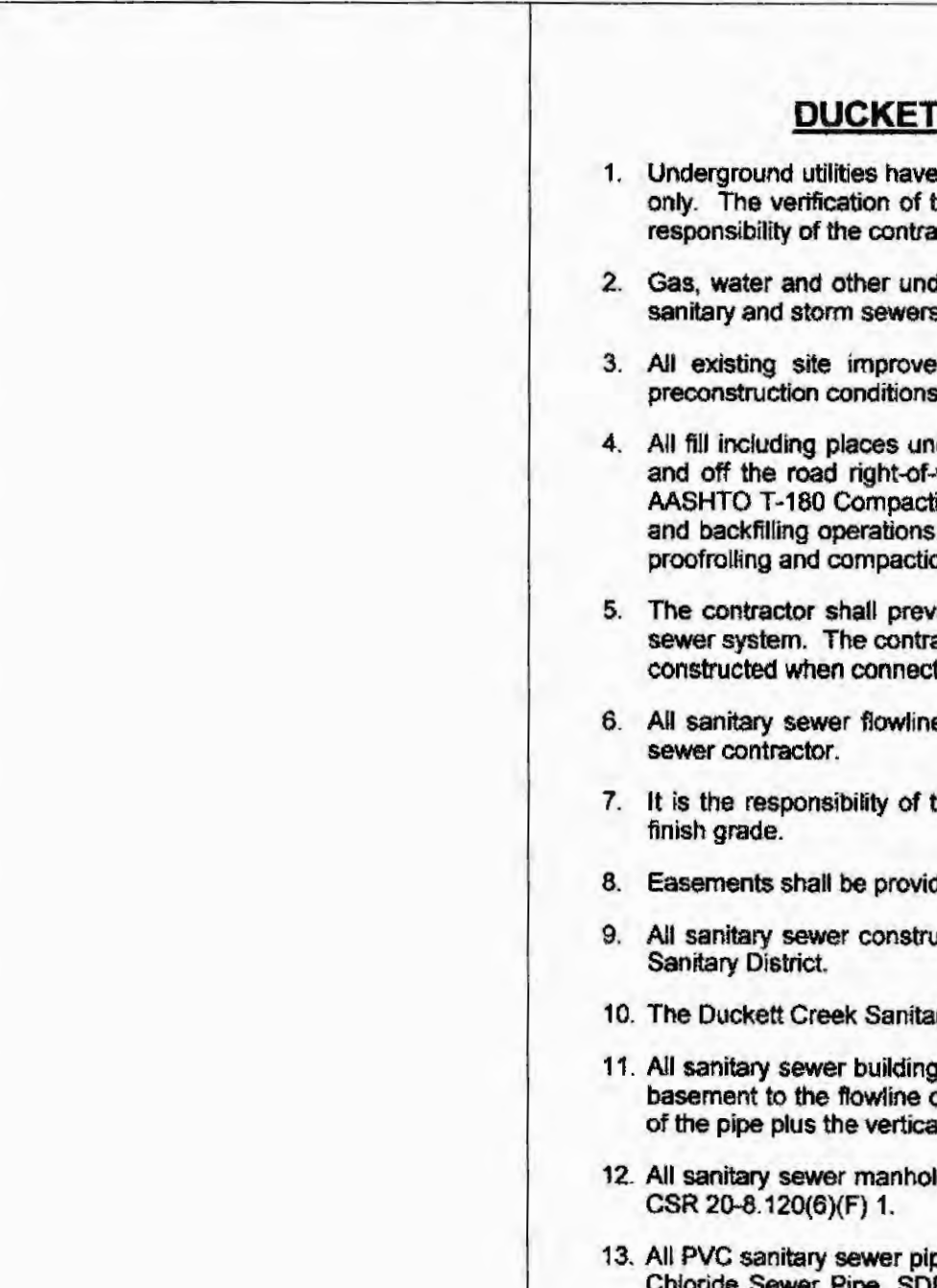
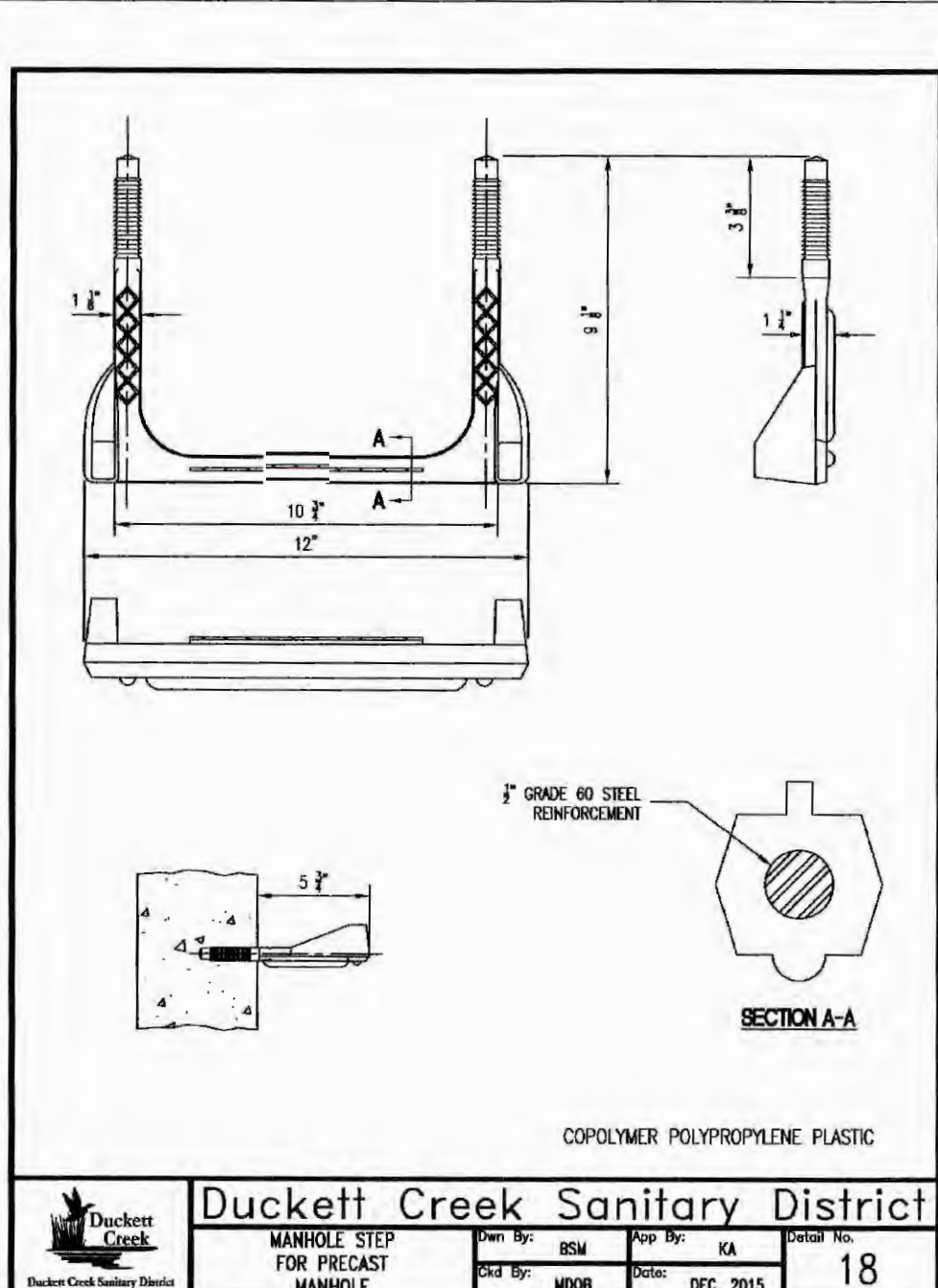
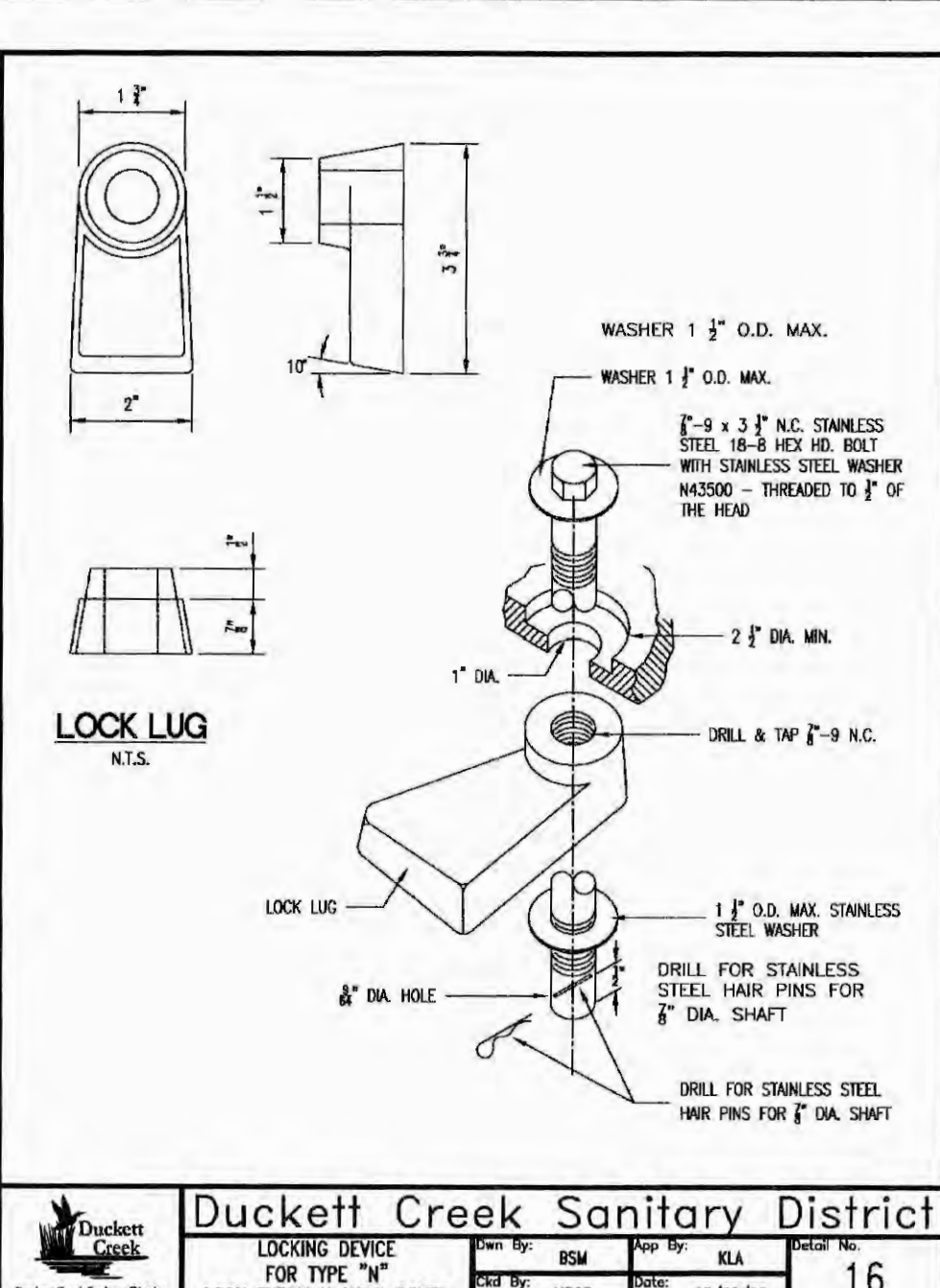
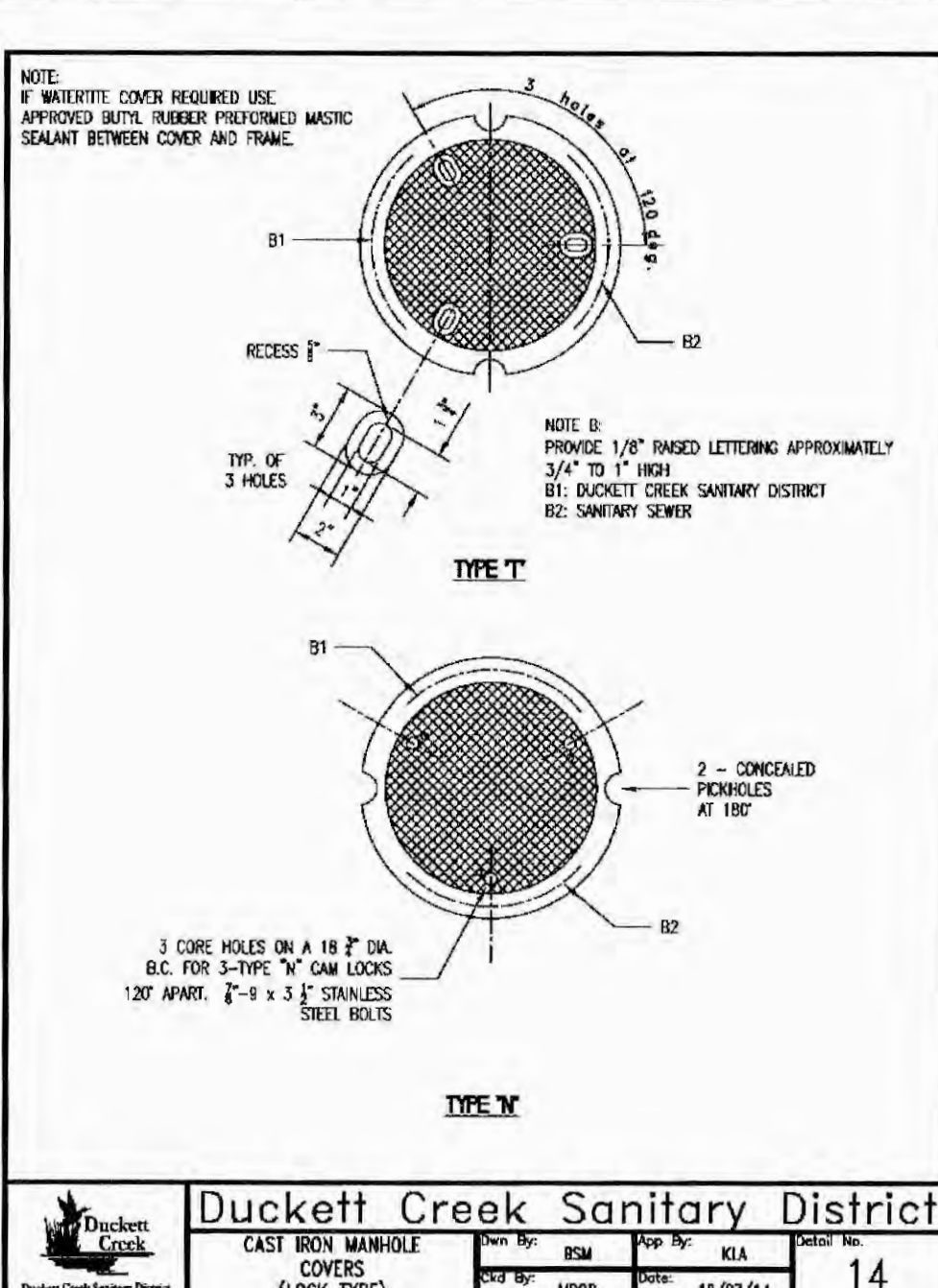
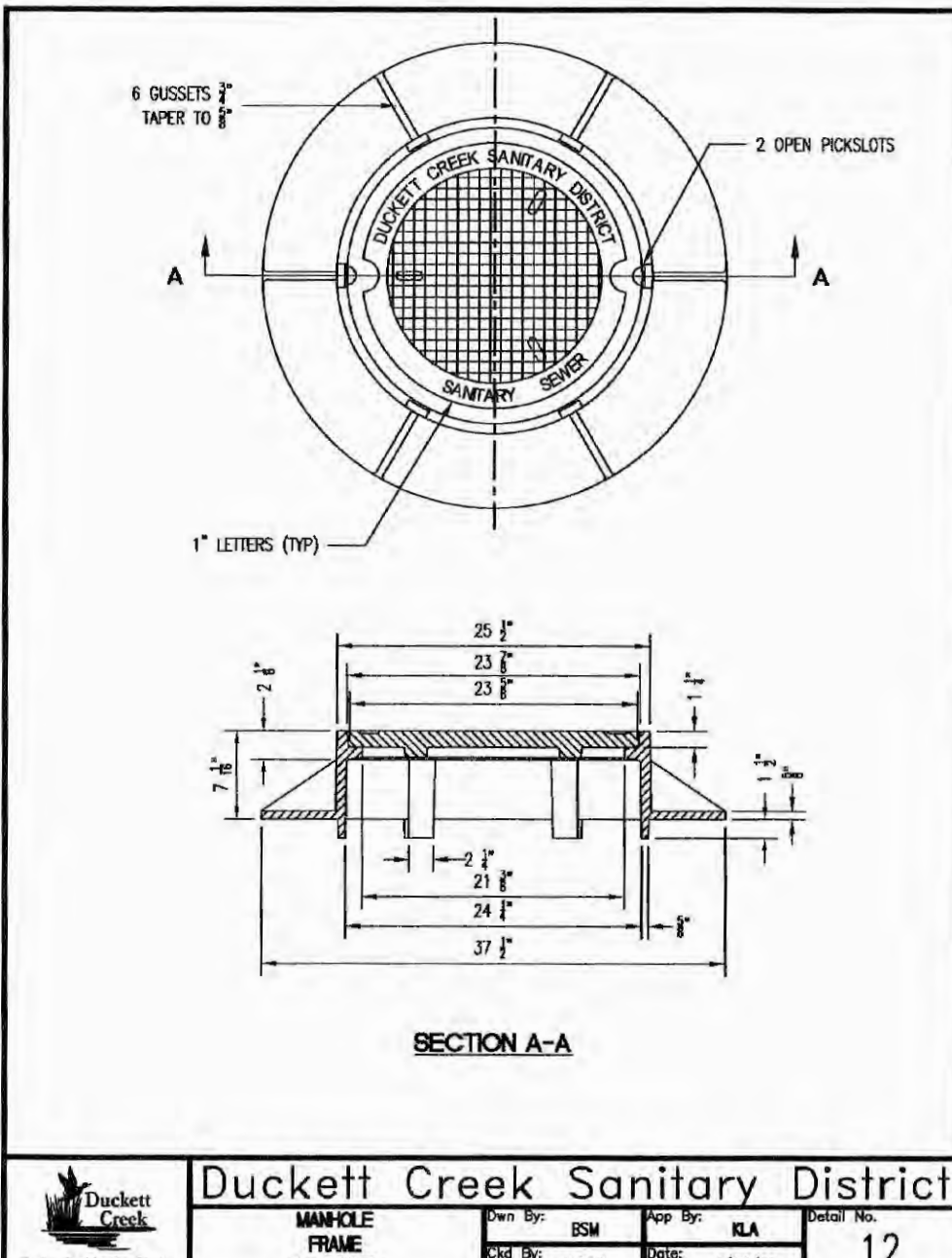
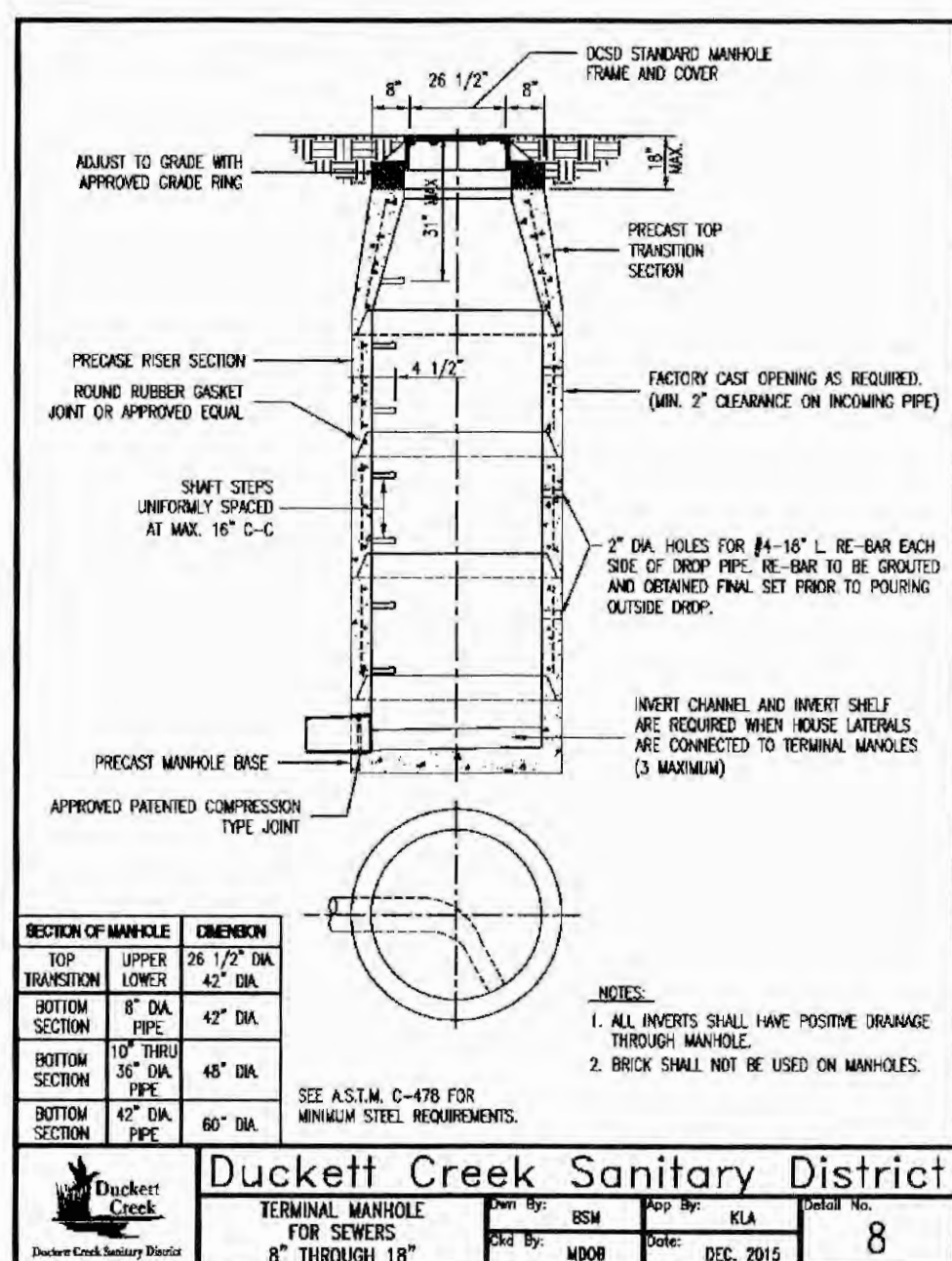
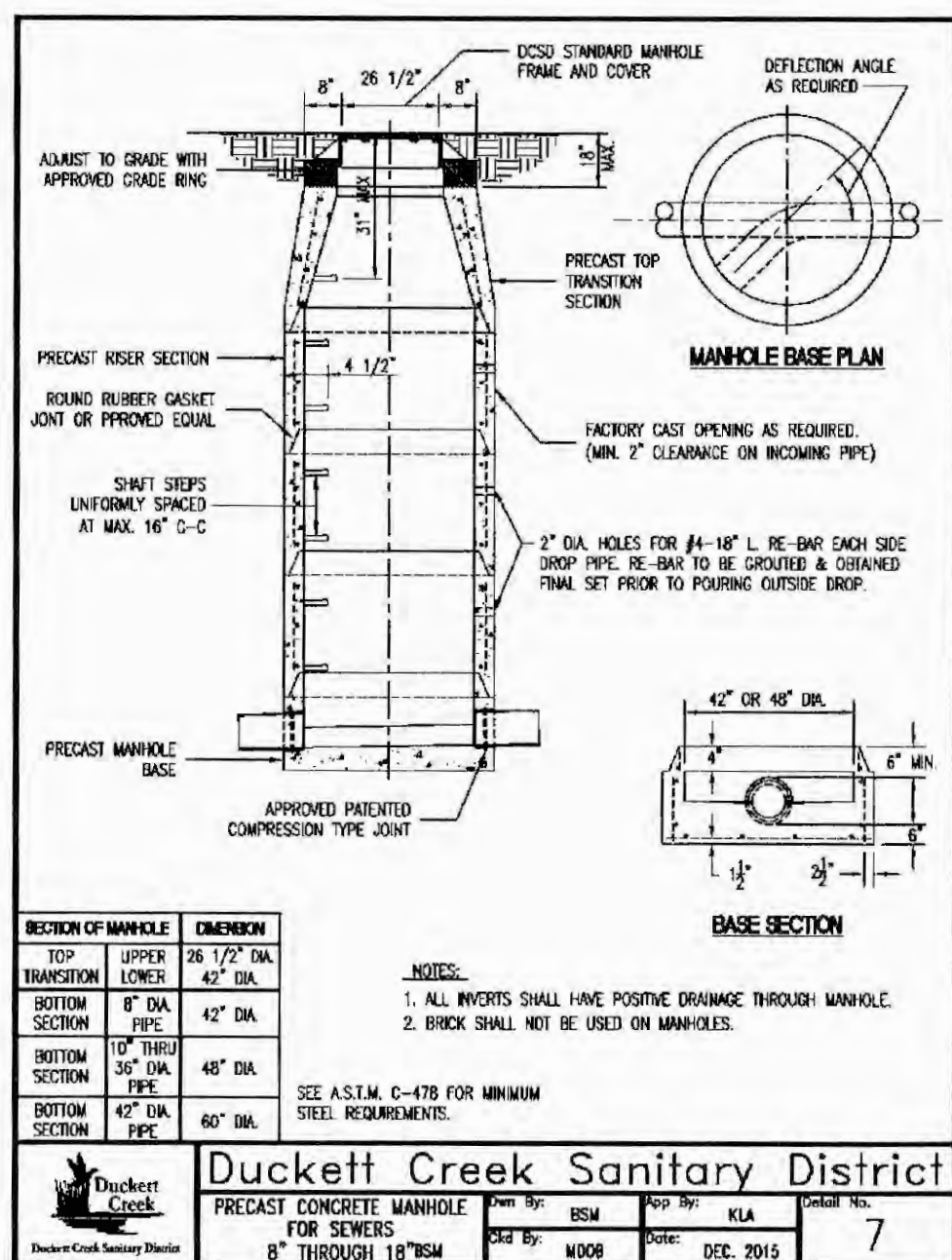
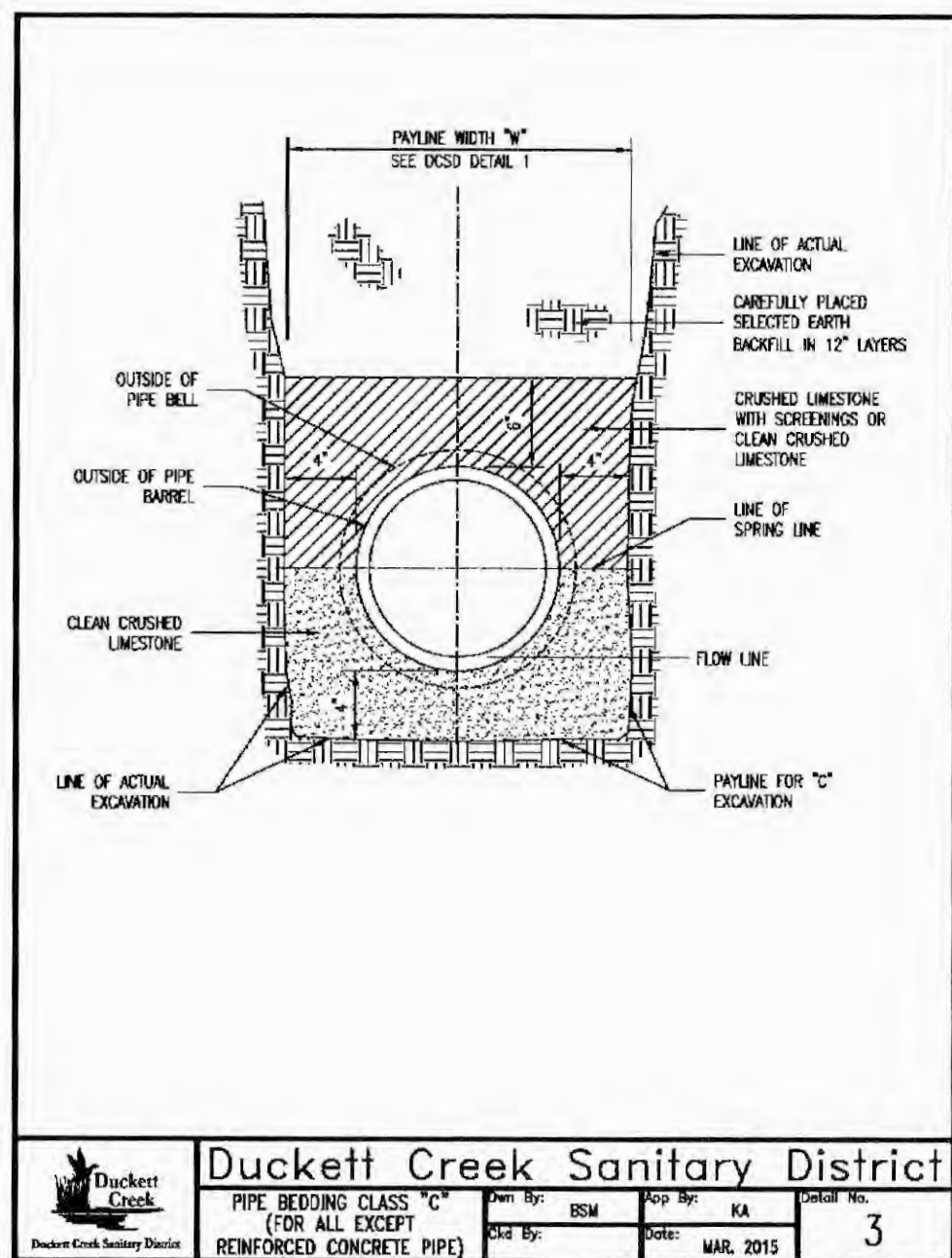


ROUND PIPE				HORIZONTAL ELLIPTICAL PIPE			
INSIDE DIAMETER OF PIPE (INCHES)	"W" PAYLINE WIDTH OF TRENCH (INCHES)	"M" PAYLINE WIDTH OF TRENCH (FEET)	CONCRETE ENCASEMENT	INSIDE DIAMETER OF PIPE (INCHES)	"W" PAYLINE WIDTH OF TRENCH (INCHES)	"M" PAYLINE WIDTH OF TRENCH (FEET)	CONCRETE ENCASEMENT
4	30	2.50	3.28				
6	30	2.50	3.59				
8	30	2.50	3.87				
10	30	2.50	4.09				
12	30	2.50	4.25				
15	36	3.00	5.55				
18	36	3.00	5.77	14 x 23	41	3.42	5.94
21	39	3.25	6.81				
24	42	3.50	7.39	19 x 30	49	4.08	7.68
27	45	3.75	8.16	22 x 34	53	4.42	8.61
30	49	4.08	9.30	24 x 38	58	4.83	9.70
33	53	4.42	10.53	27 x 42	62	5.17	10.71
36	56	4.67	11.43	29 x 45	66	5.50	11.72
39		DISCONTINUED		32 x 49	71	5.92	13.14
42	63	5.25	13.38	34 x 53	75	6.25	14.05
48	70	5.83	15.67	38 x 60	83	6.92	16.18
54	77	6.42	18.15	43 x 68	92	7.67	18.81
60	84	7.00	20.73	48 x 76	101	8.42	21.59
66	91	7.58	23.45	53 x 83	109	9.08	24.35
72	98	8.17	26.37	58 x 91	118	9.83	27.45
78	105	8.75	29.39	63 x 98	126	10.50	30.90
84	112	9.33	32.57	68 x 106	135	11.25	33.91
90	119	9.92	35.90	72 x 113	143	11.92	36.99
96	126	10.50	39.37	77 x 121	152	12.67	40.69
102	133	11.08	42.99	82 x 128	160	13.33	44.45
108	140	11.67	46.75	87 x 136	168	14.00	47.79
114	147	12.25	50.66	92 x 143	176	14.67	51.70
120	154	12.83	54.72	97 x 151	185	15.42	56.01
126	161	13.42	58.92	102 x 158	194	16.17	60.82
132	168	14.00	63.27	108 x 166	202	16.83	64.48
144	182	15.17	72.40	118 x 180	218	18.17	73.59



- ### DUCKETT CREEK SANITARY DISTRICT CONSTRUCTION NOTES
- Underground utilities have been plotted from available information and therefore location shall be considered approximate only. The verification of the location of all underground utilities, either shown or not shown on these plans, shall be the responsibility of the contractor and shall be located prior to any grading or construction of improvements.
  - Gas, water and other underground utilities shall not conflict with the depth or horizontal location of existing or proposed sanitary and storm sewers, including house laterals.
  - All existing site improvements disturbed, damaged or destroyed shall be repaired or replaced to closely match preconstruction conditions.
  - All fill including places under proposed storm and sanitary sewer lines and paved areas including trench backfills within and off the road right-of-way shall be compacted to 90 percent of maximum density as determined by the "Modified AASHTO T-190 Compaction Test (ASTM D1557)". All tests shall be verified by a Soils Engineer concurrent with grading and backfilling operations. The compacted fill shall be free of rutting and shall be non-yielding and non-pumping during proofrolling and compaction.
  - The contractor shall prevent all storm, surface water, mud and construction debris from entering the existing sanitary sewer system. The contractor will be required to install a brick bulkhead on the downstream side of the first new manhole constructed when connecting into existing sewers.
  - All sanitary sewer flowlines and tops built without elevations furnished by the engineer will be the responsibility of the sewer contractor.
  - It is the responsibility of the contractor to adjust all sanitary sewer manholes (that are affected by the development) to finish grade.
  - Easements shall be provided for all sanitary sewers, storm sewers and all utilities on the record plat.
  - All sanitary sewer construction and materials shall conform to the current construction standards of the Duckett Creek Sanitary District.
  - The Duckett Creek Sanitary District shall be notified at least 48 hours prior to construction for coordination of inspection.
  - All sanitary sewer building connections shall be designed so that the minimum vertical distance from the low point of the basement to the flowline of a sanitary sewer at the corresponding building connection shall not be less than the diameter of the pipe plus the vertical distance of 2 1/2 feet.
  - All sanitary sewer manholes shall be watertight in accordance with Missouri Dept. of Natural Resources specification 10 CSR 20-8.120(9)(F) 1.
  - All PVC sanitary sewer pipe shall conform to the requirements of ASTM D-3034 Standard Specification for PSM Polyvinyl Chloride Sewer Pipe, SDR-35 or equal, with "clean" 1/2 inch to 1 inch granular stone bedding uniformly graded. This bedding shall extend from 4 inches below the pipe to springline of pipe. Immediate backfill over pipe shall consist of same size "clean" or "minus" stone from springline of pipe to 6 inches above the top of pipe. Final backfill material shall be of suitable material removed from excavation except as other material is specified. Debris, frozen material, large rocks or stones, or other unstable materials shall not be used within 2 feet from top of pipe.
  - All sanitary and storm sewer trench backfills shall be water jetted. Granular backfill will be used under pavement areas.
  - All pipes shall have positive drainage through manholes. Flat invert structures not allowed.
  - Epoxy Coating shall be used on all sanitary sewer manholes that receive pressurized mains.
  - All creek crossings shall be lined with rip-rap as directed by District inspectors.
  - Brick shall not be used on sanitary sewer manholes.
  - Existing sanitary sewer service shall not be interrupted.
  - Maintain access to existing residential driveways and streets.
  - Pre-manufactured adapters shall be used at all PVC to DIP connections. Rubber boot / Mission-type couplings will not be allowed.
  - Any permits, licenses, easements, or approvals required to work on public or private properties or roadways are the responsibility of the developer.
  - Type N Lock-Type Cover and Locking Device (Lock-Lug) shall be used where lock-type covers are required.
  - All sanitary sewer system work shall be conducted under the inspection of a representative of the District. All work may not require inspection but the District's representative may designate specific areas that must be inspected before the work is backfilled. All testing must be witnessed by the District's Inspector and the Contractor shall furnish all testing equipment as approved by the District. Testing shall include:
    - A mandrel test of all gravity sewers using a mandrel with a diameter that has a diameter 95% of the inside pipe diameter. If the mandrel test fails on any section of pipe, that section of pipe shall be uncovered and replaced. No expansion devices will be allowed to be used to "force" the pipe that is deformed back into round. Any string lines used in mandrel testing shall be removed after testing is completed. Deflection testing cannot be conducted prior to 30 days after final backfill.
    - An air pressure test of all gravity sewers to a pressure of 5 PSI with no observed drop in pressure during a test period of 5 minutes.
    - A vacuum test of all manholes for a period of 1 minute and the vacuum shall be 10" of mercury and may not drop below 8" of mercury at the end of the 1 minute test.

**PROJECT TITLE:**  
**ALTAIR AT THE PRESERVE**  
 (FKA WINGHAVEN POINTE)

**ENGINEERING PLANNING SURVEYING**  
 221 Point West Blvd.  
 St. Charles, MO 63301  
 636-928-5562  
 FAX 636-928-1718

**DISCLAIMER OF RESPONSIBILITY**  
 I hereby specify that the documents intended to be authorized by my seal are limited to this sheet, and I hereby disclaim any responsibility for all other drawings, specifications, estimates, reports or other documents or instruments relating to or intended to be used for any part or parts of the architectural or engineering project or survey.

REVISIONS	
04/25/2016	DCSD & PWS&2 COMMENTS
05/16/2016	CITY REVIEW
06/15/2016	CITY REVIEW & DCSD COMMENTS
07/29/2016	CITY REVIEW
08/04/2016	MODOT REVIEW
08/29/2017	MODOT REVIEW

**Developer / Owner:**  
 ROLWES DEVELOPMENT, L.L.C.  
 13100 MANCHESTER ROAD, SUITE 65  
 ST. LOUIS, MISSOURI 63131  
 314-821-9600

**SANITARY SEWER DETAILS**

**P+Z No.** #9831.65.02  
**City No.** #  
**Page No.** 37 of 38

**ENGINEERS SEAL DOES NOT APPLY TO DETAILS ON THIS SHEET.**