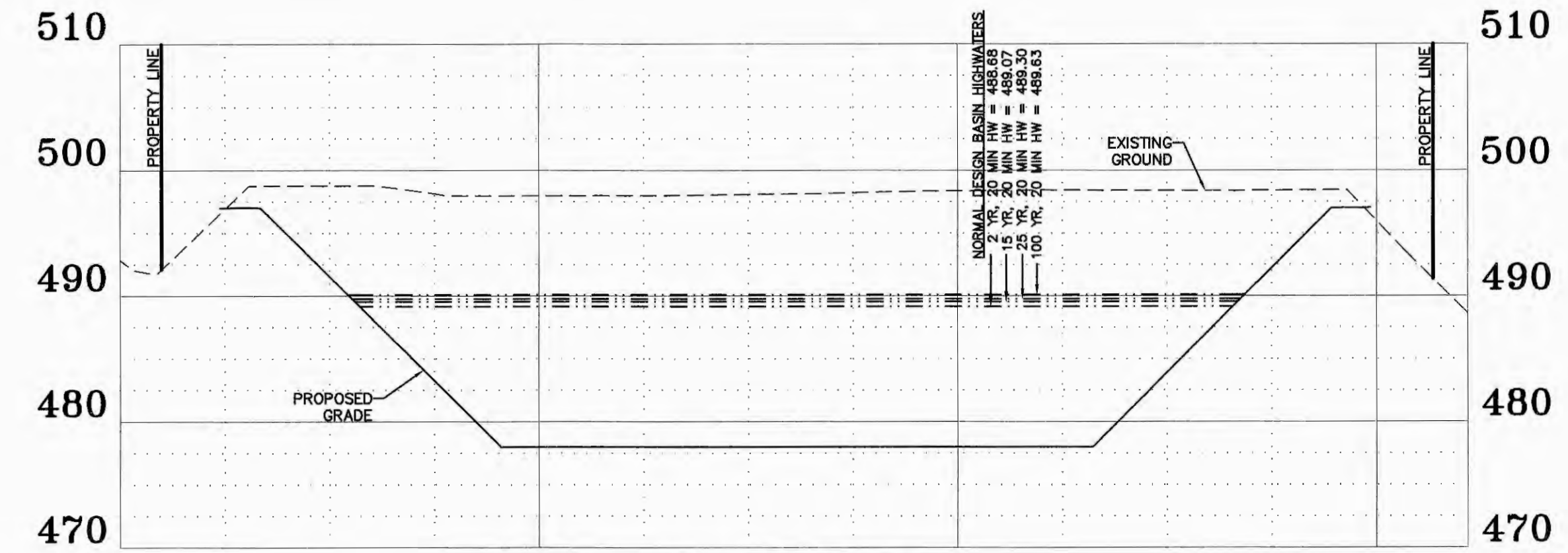
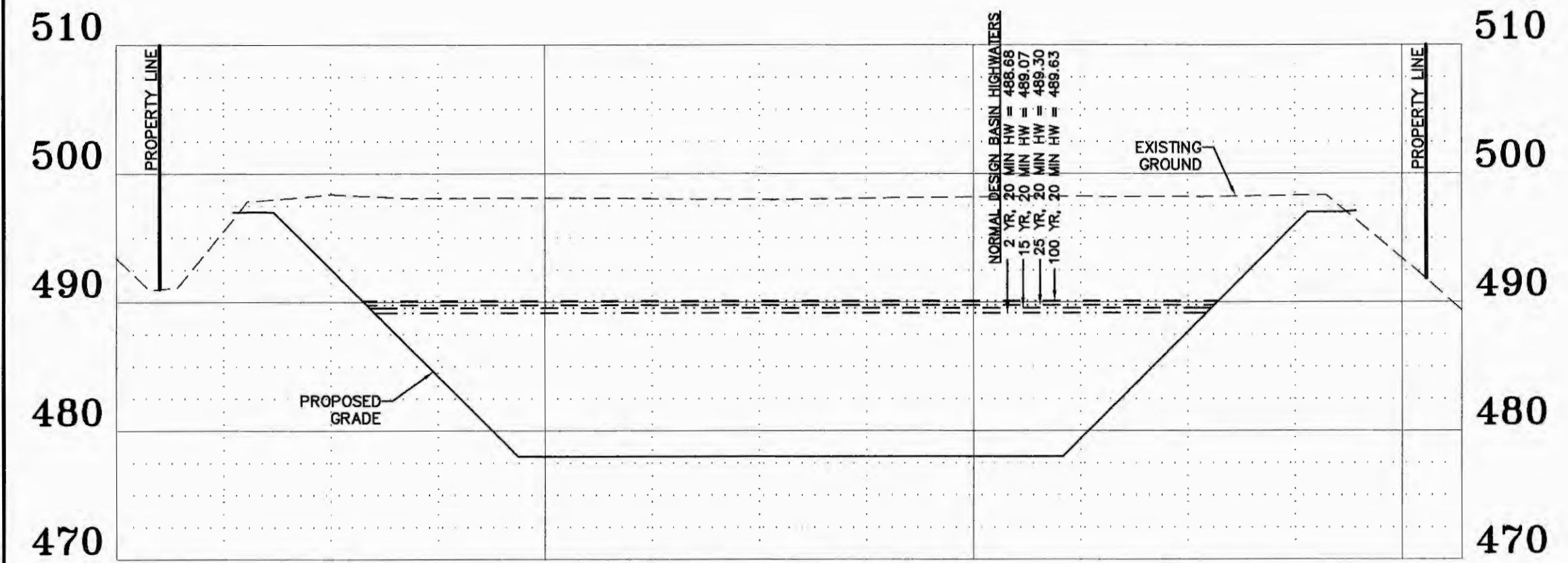


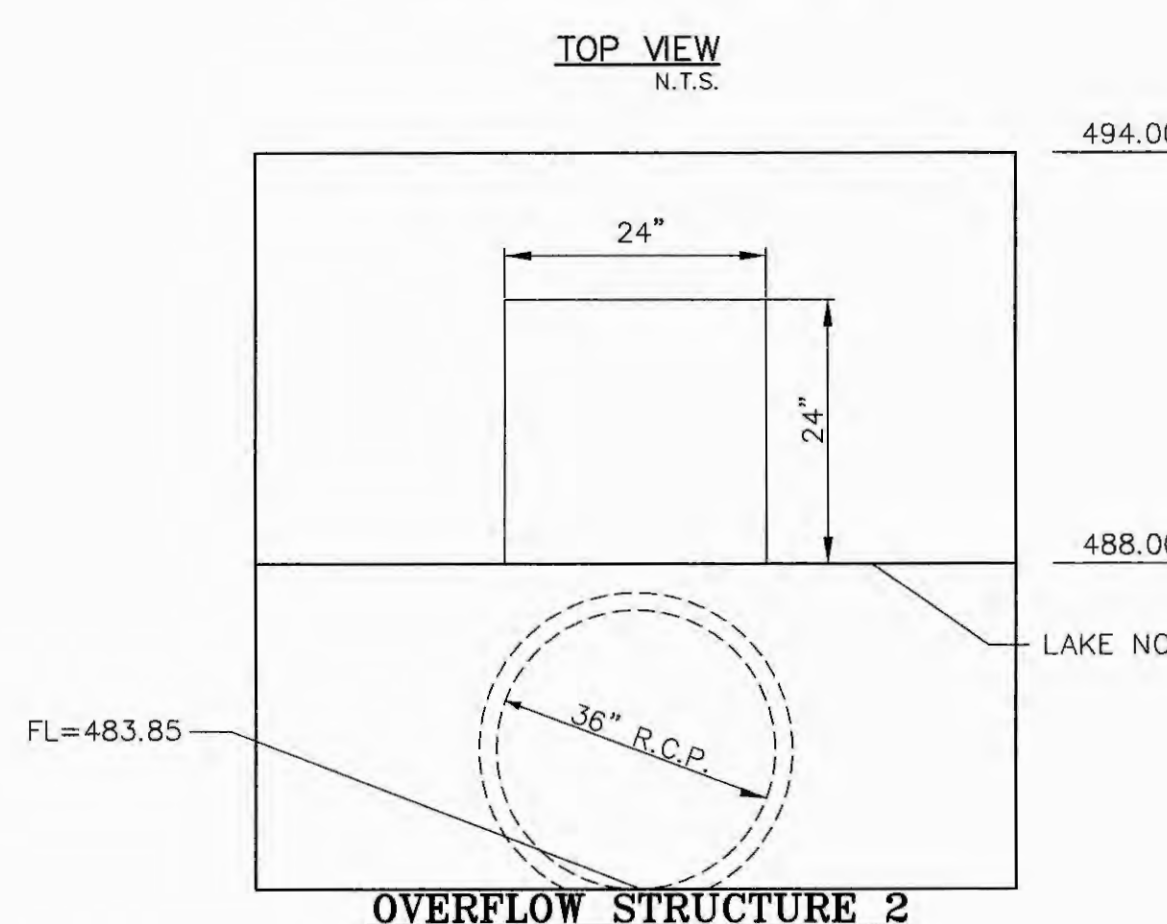
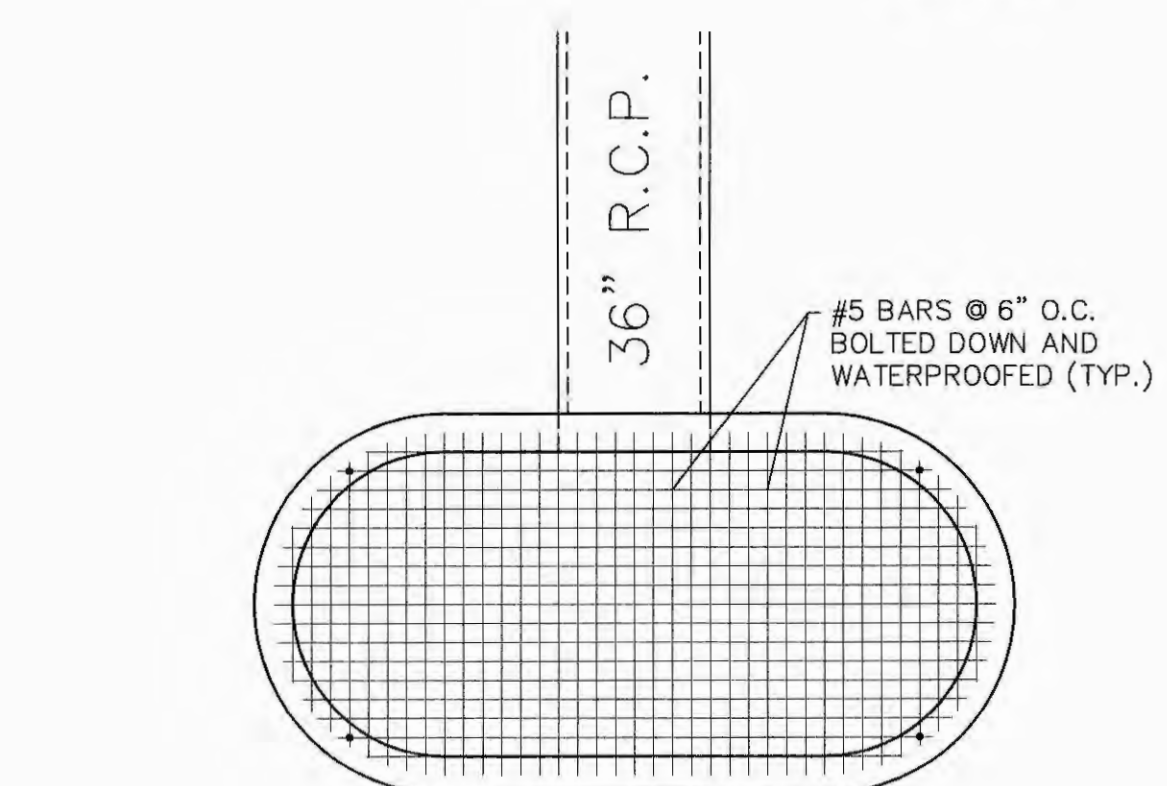
BASIN SECTION A-A
 SCALES:
 HORIZ. 1"=30'
 VERT. 1"=10'



BASIN SECTION B-B
 SCALES:
 HORIZ. 1"=30'
 VERT. 1"=10'



BASIN SECTION C-C
 SCALES:
 HORIZ. 1"=30'
 VERT. 1"=10'



NORMAL DESIGN BASIN HIGHWATERS		FLOODED DESIGN BASIN HIGHWATERS	
2 YR, 20 MIN HW = 488.09	2 YR, 20 MIN HW = 489.20	2 YR, 20 MIN HW = 488.68	2 YR, 20 MIN HW = 489.23
5 YR, 20 MIN HW = 489.07	5 YR, 20 MIN HW = 489.61	5 YR, 20 MIN HW = 489.30	5 YR, 20 MIN HW = 489.87
10 YR, 20 MIN HW = 489.30	10 YR, 20 MIN HW = 489.87	10 YR, 20 MIN HW = 489.53	10 YR, 20 MIN HW = 490.23
15 YR, 20 MIN HW = 489.53	15 YR, 20 MIN HW = 490.23	15 YR, 20 MIN HW = 489.53	15 YR, 20 MIN HW = 490.23
20 YR, 20 MIN HW = 489.53	20 YR, 20 MIN HW = 490.23	20 YR, 20 MIN HW = 489.53	20 YR, 20 MIN HW = 490.23

FLEXSTORM HD INLET FILTERS FOR USE IN CONCRETE STRUCTURES

PRODUCT SELECTION AND SPECIFICATION DRAWING

FLEXSTORM HDR		FLEXSTORM HDWM (Wall Mount)		FLEXSTORM HD	
Drop Thru Opening Size Dia	Flexstorm Frame P/N	Curb Opening Size	Flexstorm Frame P/N	Clear Drop Thru Opening Size (not grate or seat size)	Flexstorm Frame P/N
Small: 10" - 18"	62HDR	Up to 4" curb openings (1 Filter and Mounting Hardware)	62HDWM1	Small: 12" x 12" up to 16" x 16" (or 64" max perimeter)	62SHD
Medium: 18" - 24"	62MHR	Between 4" and 8" curb openings (2 Filters and Mounting Hardware)	62HDWM2	Medium: 18" x 18" up to 24" x 24" (or 96" max perimeter)	62MHD
Large: 24" - 36"	62LHR	Between 8" and 12" curb openings (3 Filters and Mounting Hardware)	62HDWM3	Large: 26" x 26" up to 30" x 30" (or 120" max perimeter)	62LHD
		Between 12" and 16" curb openings (4 Filters and Mounting Hardware)	62HDWM4	XL: 32" x 32" up to 48" x 48" (or 192" max perimeter) typ 2 pc set	62XLHD

Nominal Bag Size Matched to Frame	Solids Storage (Cu Ft)	Filtered Flow Rate at 50% Max (CFS)			*PC Oil Retention (Oz)		**FX+Oil Retention (Oz)	
		FX (Woven)	PC (Post Const)	IL (NonWoven)	Retention (Oz)	Retention (Oz)		
Small	1.6	1.2	0.8	0.9	79	168	89	
Medium	2.1	1.7	1.2	1.3	115	204	89	
Large	3.8	2.7	1.8	1.9	173	262	89	
XL	4.2	3.6	2.4	2.6	230	319	178	

CREATE YOUR ADS FLEXSTORM PART NUMBER BY COMBINING FRAME P/N AND BAG P/N

1. IDENTIFY YOUR FLEXSTORM FRAME PART NUMBER FROM TABLES ABOVE

2. SELECT YOUR BAG PART NUMBER BASED ON APPLICATION NEEDS

FLEXSTORM FILTER BAGS (22" depth)	STD Bag P/N	(12" depth)	Short Bag P/N	Clean Water Flow Rate (GPM/SqFt)	Min A.O.S. (US Sieve)
FX: Standard Woven Bag	FX	FX-S	200	40	
FX+: Woven w/ MyCelx	FXP	FXP-S	200	40	
FXO: Woven w/ Oil Boom	FXO	FXO-S	200	40	
PC: Post Construction Bag	PC	PC-S	137	140	
PC+: PC Bag w/ MyCelx	PCP	PCP-S	137	140	
LL: Litter and Leaf Bag	LL	LL-S	High	3.5	
IL: IDOT Non-Woven Bag	IL	IL-S	145	70	

3. CREATE YOUR FINAL PART NUMBER TO INCLUDE ON YOUR SPECIFICATION PLANS

Frame P/N from Step 1. Filter Bag P/N from Step 2.

NOTES:

- ALL HD FRAMING IS CONSTRUCTED OF 304 STAINLESS STEEL FOR 25 YEAR LIFE RATING
- TOTAL BYPASS CAPACITY: BYPASS CAPACITY WILL VARY WITH EACH SIZE DRAINAGE STRUCTURE. FLEXSTORM DESIGNS FRAMING BYPASS TO MEET OR EXCEED THE DESIGN FLOW OF THE PARTICULAR DRAINAGE STRUCTURE.
- UPON ORDERING CONFIRMATION OF THE DOT CALLOUT, PRECAST MAKE AND MODEL OR DETAILED DIMENSIONAL FORMS MUST BE PROVIDED TO CONFIGURE AND ASSEMBLE YOUR CUSTOMIZED FLEXSTORM INLET FILTER; PART NUMBER ALONE IS NOT SUFFICIENT

GENERAL INSTALLATION INSTRUCTIONS:

- REMOVE GRATE
- DROP FLEXSTORM INLET FILTER INTO LOAD BEARING LIP OF INLET STRUCTURE
- REPLACE GRATE

ALL PRODUCTS MANUFACTURED BY INLET & PIPE PROTECTION, INC. DISTRIBUTED BY ADS WWW.INLETFILTERS.COM (636) 957-8635 PH (636) 355-3477 FX INFO@INLETFILTERS.COM

C FLEXSTORM HD

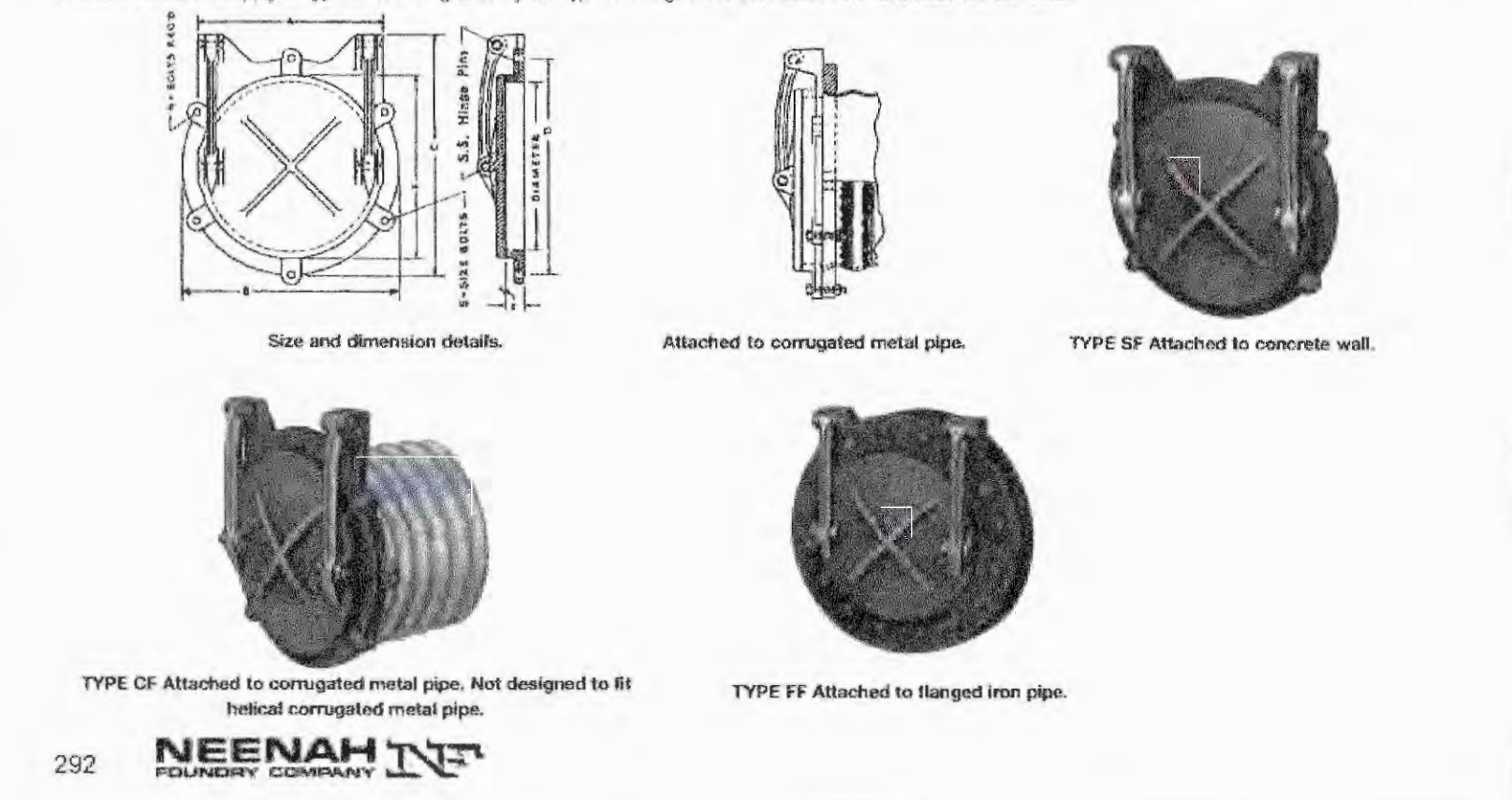
R-5050 Series Types SF, CF and FF Automatic Drainage Gates

Automatic drainage gates are used in areas with a requirement to prevent back flow, such as storm and sanitary sewer systems. STANDARD GATES: Furnished with vertical closure for maximum ease of operation. GENERAL INFORMATION: Gates are made of cast iron. All moving parts operate on stainless steel hinge pins. The cover is hung with cast iron arms—Ductile iron arms on larger sizes—located at the outer edges near the center of gravity to ensure sensitive operation. For improved sealing, order with neoprene seal at extra cost. Aluminum covers can be furnished for special requirements, if specified. Also available on special order and at extra cost are neoprene or solid bronze seat mountings and bronze bushed hinges. For applications with extreme head pressures, contact Product Engineering Dept.

- Specify:**
- Catalog number and diameter.
 - Type SF, Type CF, or Type FF.
 - Aluminum covers when required.
 - Other special requirements such as neoprene or bronze seat mounting or bronze bushing.

Catalog No.		Catalog No.		Catalog No.		Dimensions in Inches									
Type SF	Type CF	Type SF	Type CF	Type SF	Type CF	Diameter	A	B	C	D	E	F	N	S	
R-5050-SF6	R-5050-CF6	R-5050-SF6	R-5050-CF6	R-5050-SF6	R-5050-CF6	6	7	11	13	11	3/4	7	4	5/8	
R-5050-SF8	R-5050-CF8	R-5050-SF8	R-5050-CF8	R-5050-SF8	R-5050-CF8	8	9 1/2	11	13	11	1 1/8	9 1/2	4	5/8	
R-5050-SF10	R-5050-CF10	R-5050-SF10	R-5050-CF10	R-5050-SF10	R-5050-CF10	10	11 1/2	13 1/2	15 1/2	13 1/2	1 1/8	11 1/2	4	5/8	
R-5050-SF12	R-5050-CF12	R-5050-SF12	R-5050-CF12	R-5050-SF12	R-5050-CF12	12	13 1/4	15 1/8	18	13 1/4	1 1/8	13 1/4	4	5/8	
R-5050-SF15	R-5050-CF15	R-5050-SF15	R-5050-CF15	R-5050-SF15	R-5050-CF15	15	18 1/4	19	21	18 1/4	1 1/8	16 1/4	4	5/8	
R-5050-SF18	R-5050-CF18	R-5050-SF18	R-5050-CF18	R-5050-SF18	R-5050-CF18	18	19 1/4	22 1/8	24 1/4	22 1/8	1 1/4	19 1/4	4	5/8	
R-5050-SF20	R-5050-CF20	R-5050-SF20	R-5050-CF20	R-5050-SF20	R-5050-CF20	20	22 1/4	25 1/8	27 1/4	25 1/8	1 1/4	22 1/4	4	5/8	
R-5050-SF21	R-5050-CF21	R-5050-SF21	R-5050-CF21	R-5050-SF21	R-5050-CF21	21	22 1/4	26 1/8	27 1/4	25 1/8	1 1/4	22 1/4	4	5/8	
R-5050-SF24	R-5050-CF24	R-5050-SF24	R-5050-CF24	R-5050-SF24	R-5050-CF24	24	25 1/4	28 1/8	30 1/4	28 1/8	1 1/4	25 1/4	6	3/4	
R-5050-SF27	R-5050-CF27	R-5050-SF27	R-5050-CF27	R-5050-SF27	R-5050-CF27	27	28 1/4	31 1/8	33 1/4	31 1/8	1 1/4	28 1/4	6	3/4	
R-5050-SF30	R-5050-CF30	R-5050-SF30	R-5050-CF30	R-5050-SF30	R-5050-CF30	30	31 1/4	34 1/8	36 1/4	34 1/8	1 1/4	31 1/4	6	3/4	
R-5050-SF36	R-5050-CF36	R-5050-SF36	R-5050-CF36	R-5050-SF36	R-5050-CF36	36	37 1/2	41 1/8	43 1/4	41 1/8	1 3/8	37 1/2	6	3/4	
R-5050-SF42	R-5050-CF42	R-5050-SF42	R-5050-CF42	R-5050-SF42	R-5050-CF42	42	43 1/2	47 1/8	49 1/4	47 1/8	1 3/8	43 1/2	6	3/4	
R-5050-SF48	R-5050-CF48	R-5050-SF48	R-5050-CF48	R-5050-SF48	R-5050-CF48	48	49 1/2	54	56 1/4	54	1 3/8	49 1/2	6	3/4	

*N and S Dimensions apply to Type SF and CF gates only. The Type FF Flange faced and drilled A.W.W.A. class 125 standard.



PROJECT TITLE:
ALTAIR AT THE PRESERVE (FKA WINGHAVEN POINTE)

ENGINEERING SURVEYING
 241 Robert West Blvd.
 St. Charles, MO 63301
 636-926-1666
 FAX 636-926-1718



DISCLAIMER OF RESPONSIBILITY
 I hereby specify that the documents intended to be authorized by my seal are limited to this project, and I hereby disclaim any responsibility for all other drawings, specifications, estimates, reports or other documents or instruments relating to or intended to be used for any part or parts of the architectural or engineering project or survey.



Copyright 2016
 Box Engineering Company, Inc.
 Authority No. 000555
 All Rights Reserved

REVISIONS

DATE	BY	REVISION
04/25/2016	DCSD	REVIEW
05/16/2016	CITY	REVIEW
06/15/2016	CITY	REVIEW & DCSD COMMENTS
07/29/2016	CITY	REVIEW
08/04/2016	MODOT	REVIEW
08/29/2017	MODOT	REVIEW

Developer / Owner:
ROLWES DEVELOPMENT, L.L.C.
 13100 MANCHESTER ROAD, SUITE 65
 ST. LOUIS, MISSOURI 63181
 314-821-9600

P+Z No.
 #9831.65.02

City No.
 #