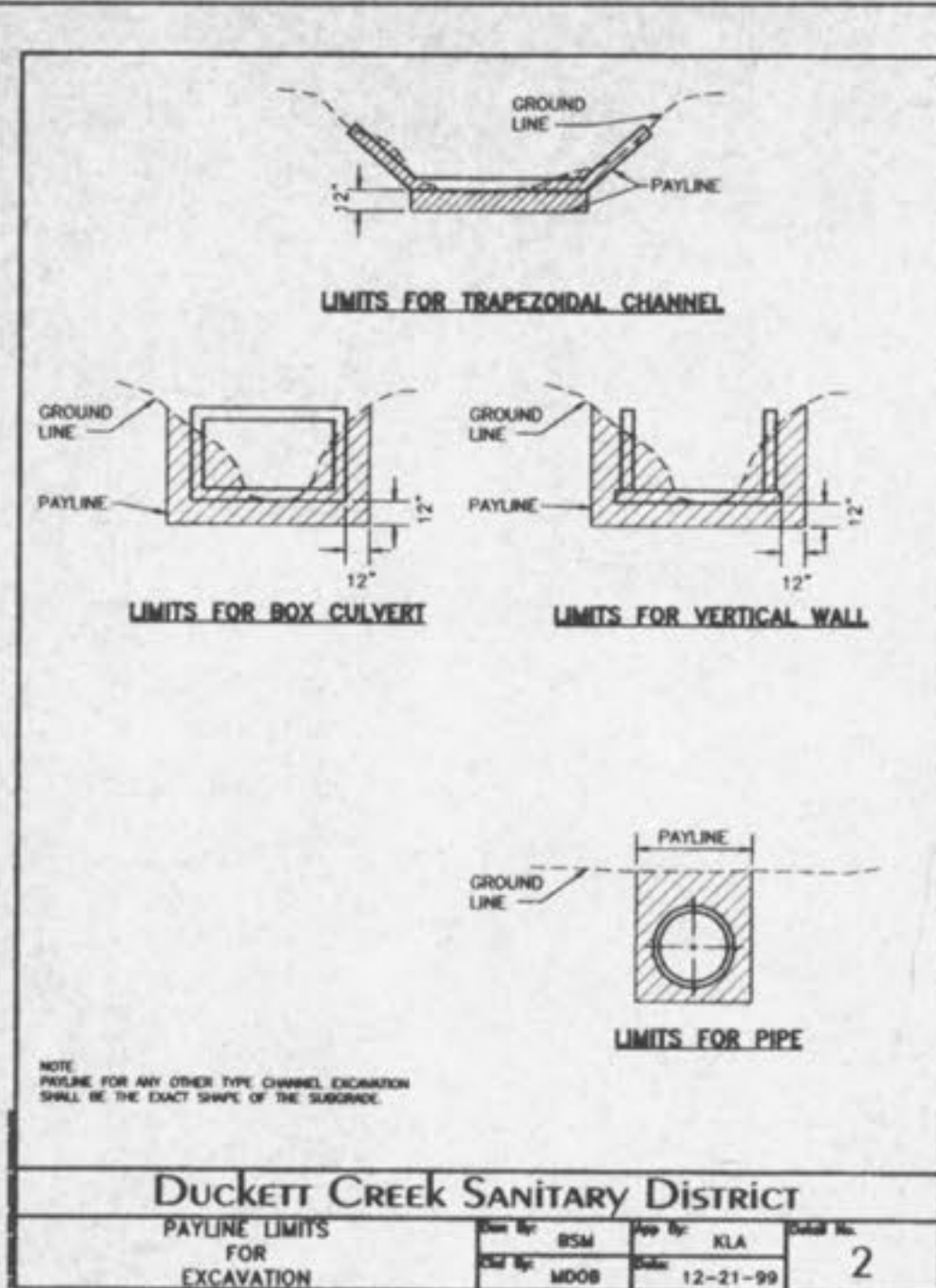
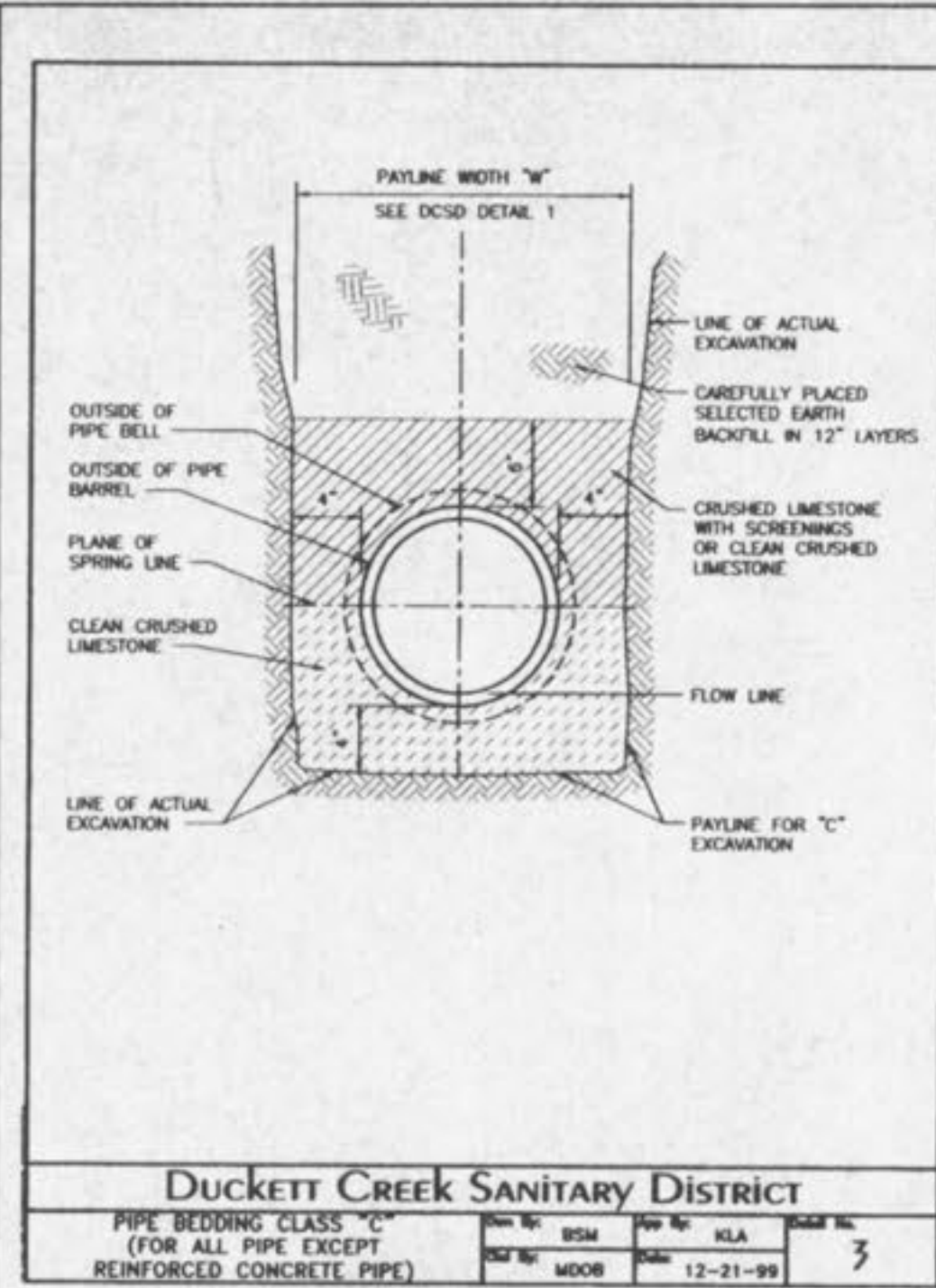


ROUND PIPE				HORIZONTAL ELLIPTICAL PIPE			
INSIDE DIAMETER OF PIPE (INCHES)	"W" PAYLINE WIDTH OF TRENCH (INCHES)	"W" PAYLINE WIDTH OF TRENCH (FEET)	PAV-VOLU/LS CU. FT. PER FT.	INSIDE DIAMETER OF PIPE (INCHES)	"W" PAYLINE WIDTH OF TRENCH (INCHES)	"W" PAYLINE WIDTH OF TRENCH (FEET)	PAV-VOLU/LS CU. FT. PER FT.
4	30	2.50	3.28				
6	30	2.50	3.59				
8	30	2.50	3.87				
10	30	2.50	4.09				
12	30	2.50	4.25				
15	36	3.00	5.55				
18	36	3.00	5.77	14 x 23	41	3.42	5.94
21	39	3.25	6.61				
24	42	3.50	7.39	19 x 30	49	4.08	7.68
27	45	3.75	8.18	22 x 34	53	4.42	8.61
30	49	4.08	9.30	24 x 38	58	4.83	9.70
33	53	4.42	10.53	27 x 42	62	5.17	10.71
36	56	4.67	11.43	29 x 45	66	5.50	11.72
39		DISCONTINUED		32 x 49	71	5.92	13.14
42	63	5.25	13.38	34 x 53	75	6.25	14.05
48	70	5.83	15.67	38 x 60	83	6.92	16.18
54	77	6.42	18.15	43 x 68	92	7.67	18.81
60	84	7.00	20.73	48 x 76	101	8.42	21.59
66	91	7.58	23.45	53 x 83	108	9.08	24.35
72	98	8.17	26.37	58 x 91	118	9.83	27.45
78	105	8.75	29.39	63 x 98	126	10.50	30.50
84	112	9.33	32.57	68 x 106	135	11.25	33.91
90	119	9.92	35.90	72 x 113	143	11.92	36.89
96	126	10.50	39.37	77 x 121	152	12.67	40.69
102	133	11.08	42.99	82 x 128	160	13.33	44.45
108	140	11.67	46.75	87 x 136	168	14.00	47.79
114	147	12.25	50.66	92 x 143	176	14.67	51.70
120	154	12.83	54.72	97 x 151	185	15.42	56.01
126	161	13.42	58.92				
132	168	14.00	63.27	106 x 166	202	16.83	64.48
144	182	15.17	72.40	116 x 180	216	18.17	73.59

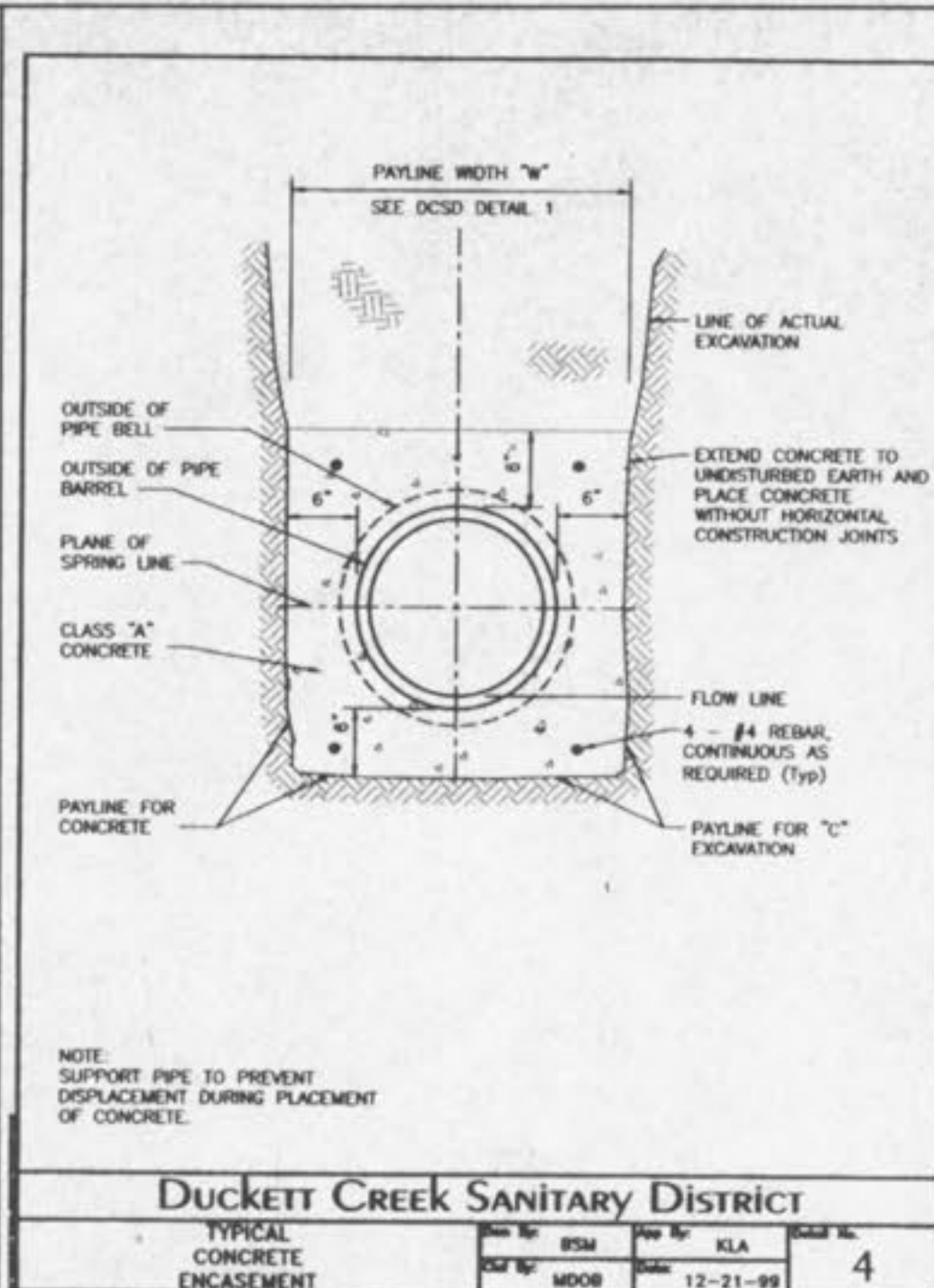
DUCKETT CREEK SANITARY DISTRICT PAYLINE WIDTHS OF TRENCH AND PAY-QUANTITIES OF CONCRETE



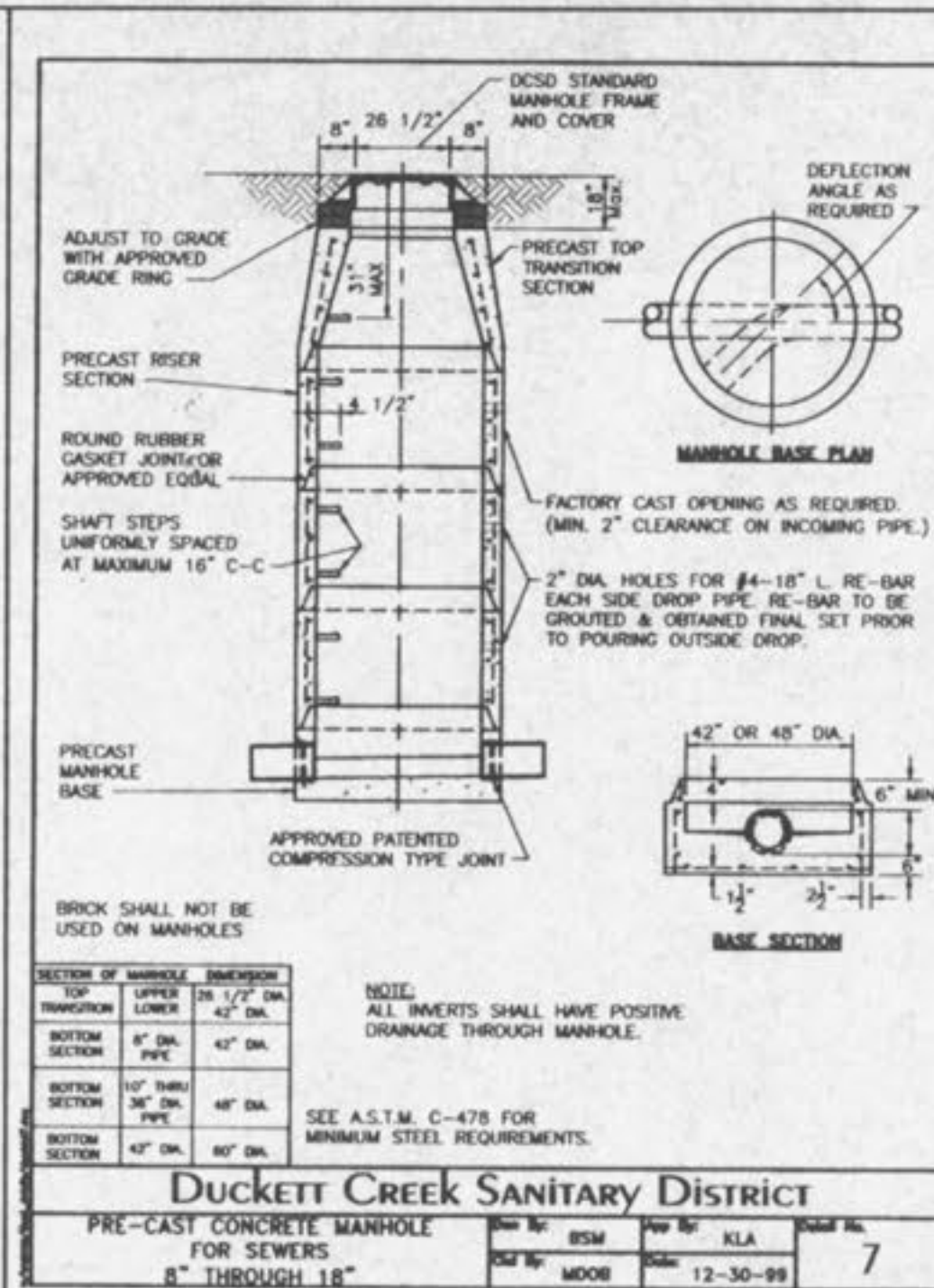
DUCKETT CREEK SANITARY DISTRICT PAYLINE LIMITS FOR EXCAVATION



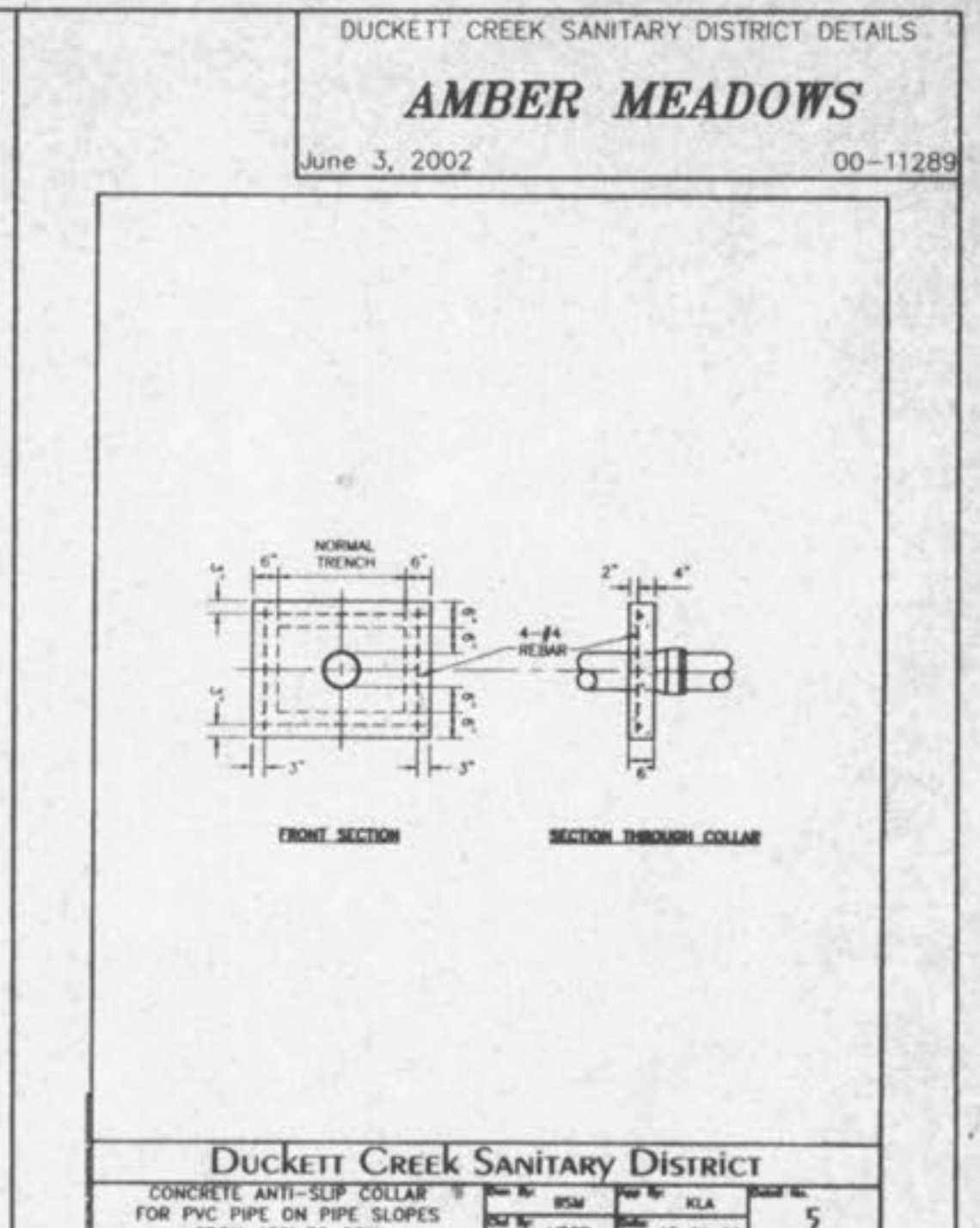
DUCKETT CREEK SANITARY DISTRICT PIPE BEDDING CLASS 'C' (FOR ALL PIPE EXCEPT REINFORCED CONCRETE PIPE)



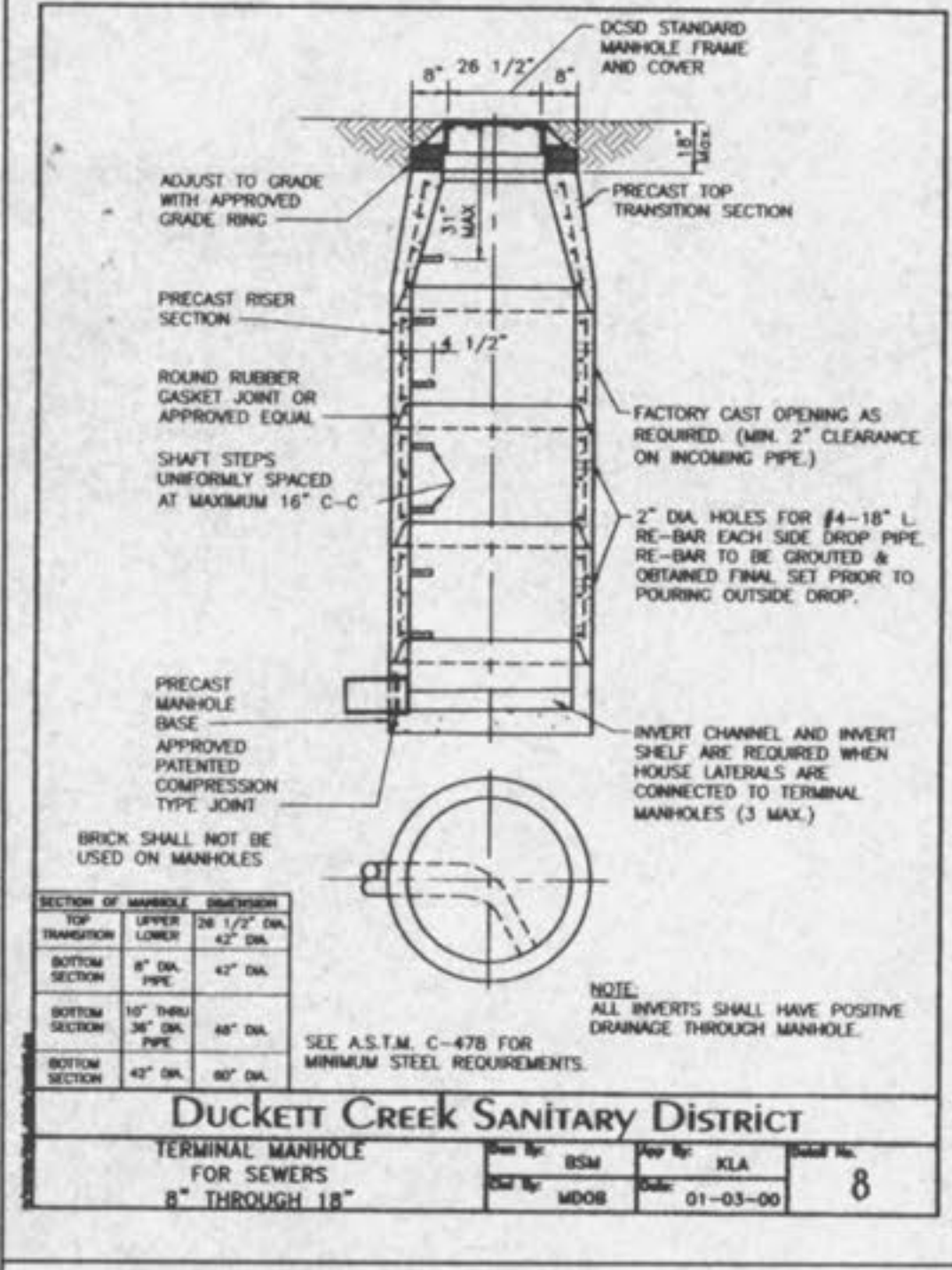
DUCKETT CREEK SANITARY DISTRICT TYPICAL CONCRETE ENCASEMENT



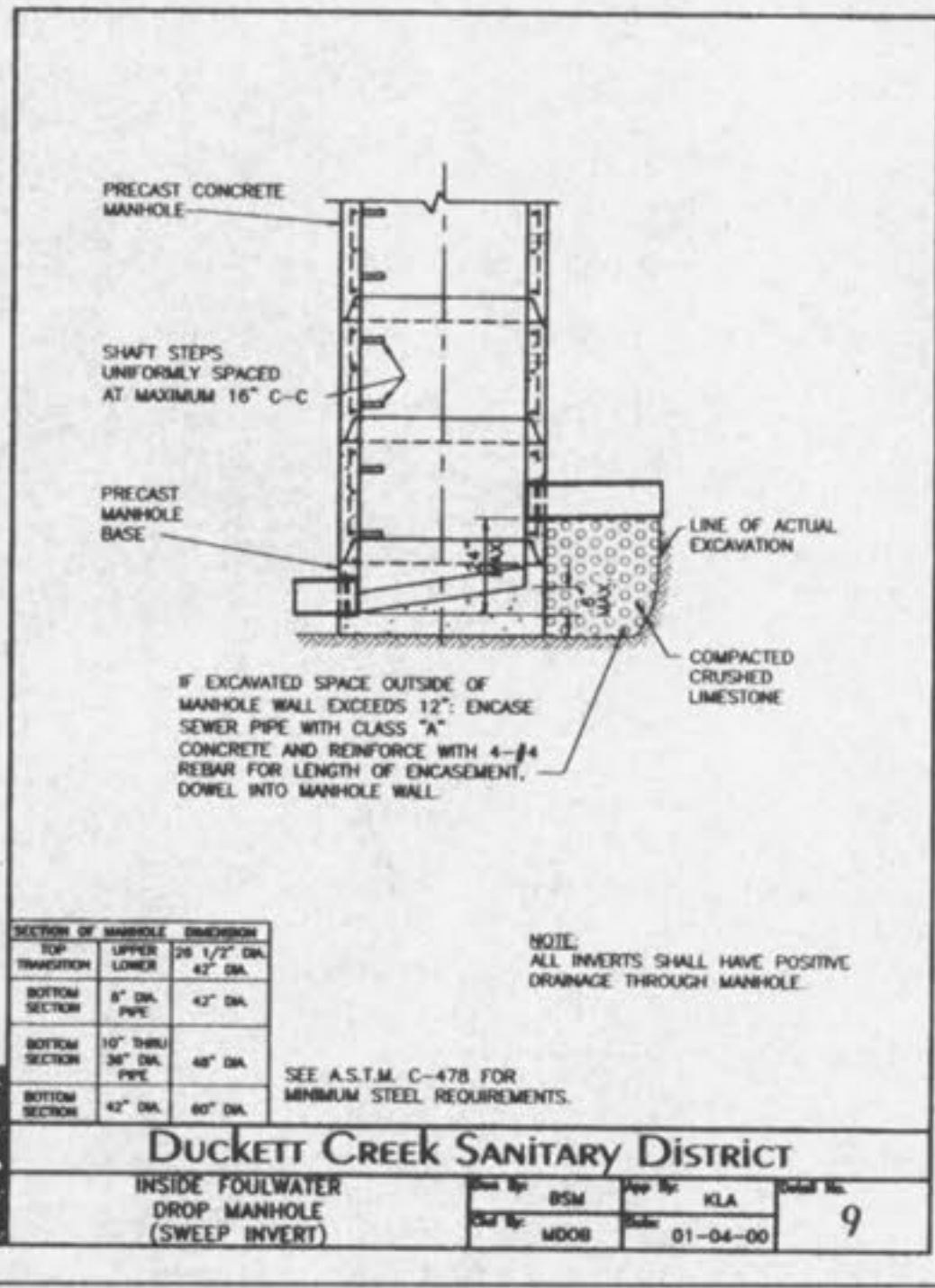
DUCKETT CREEK SANITARY DISTRICT PRE-CAST CONCRETE MANHOLE FOR SEWERS 8" THROUGH 18"



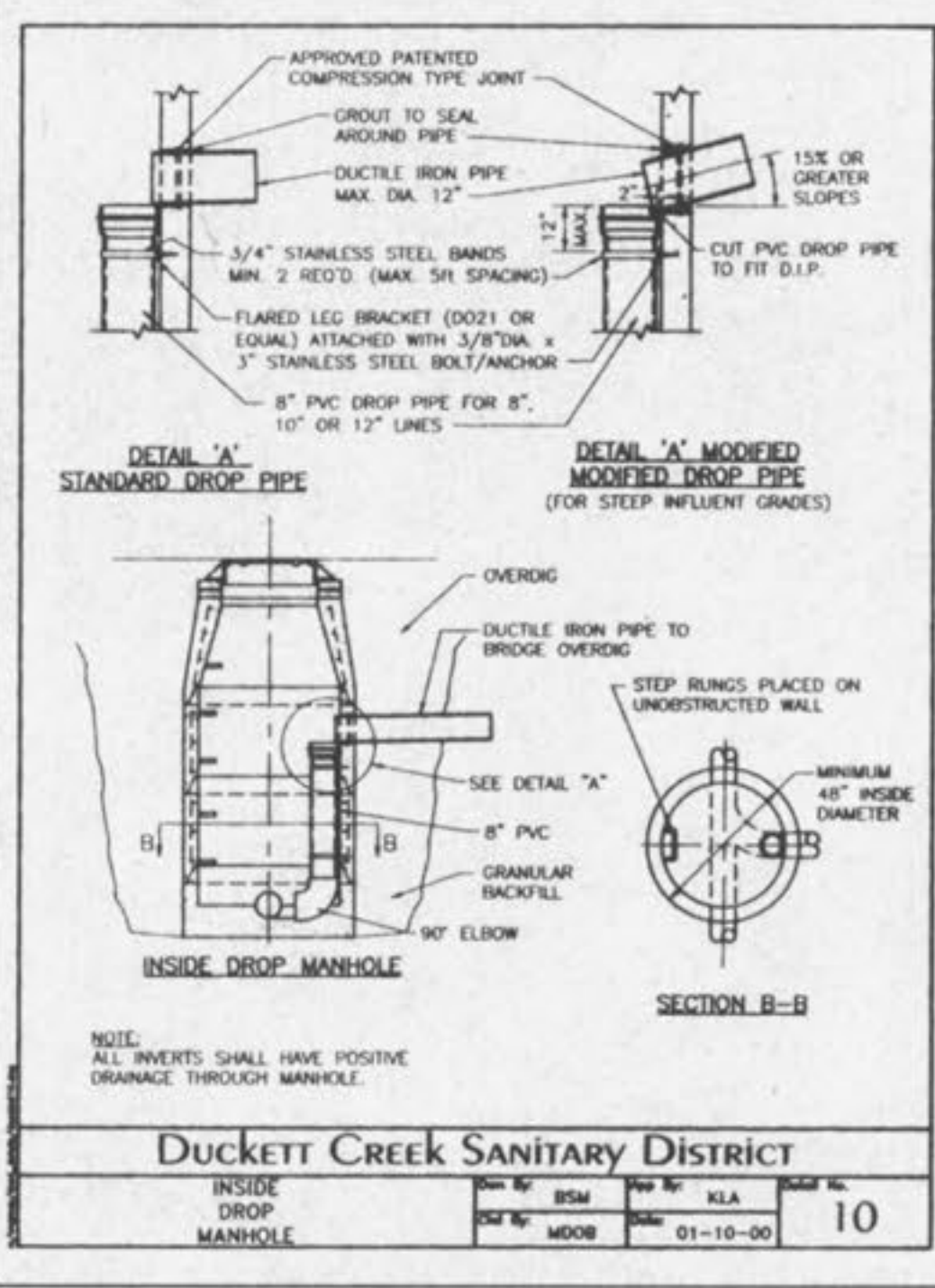
DUCKETT CREEK SANITARY DISTRICT CONCRETE ANTI-SLIP COLLAR FOR PVC PIPE ON PIPE SLOPES FROM 15% TO 50%



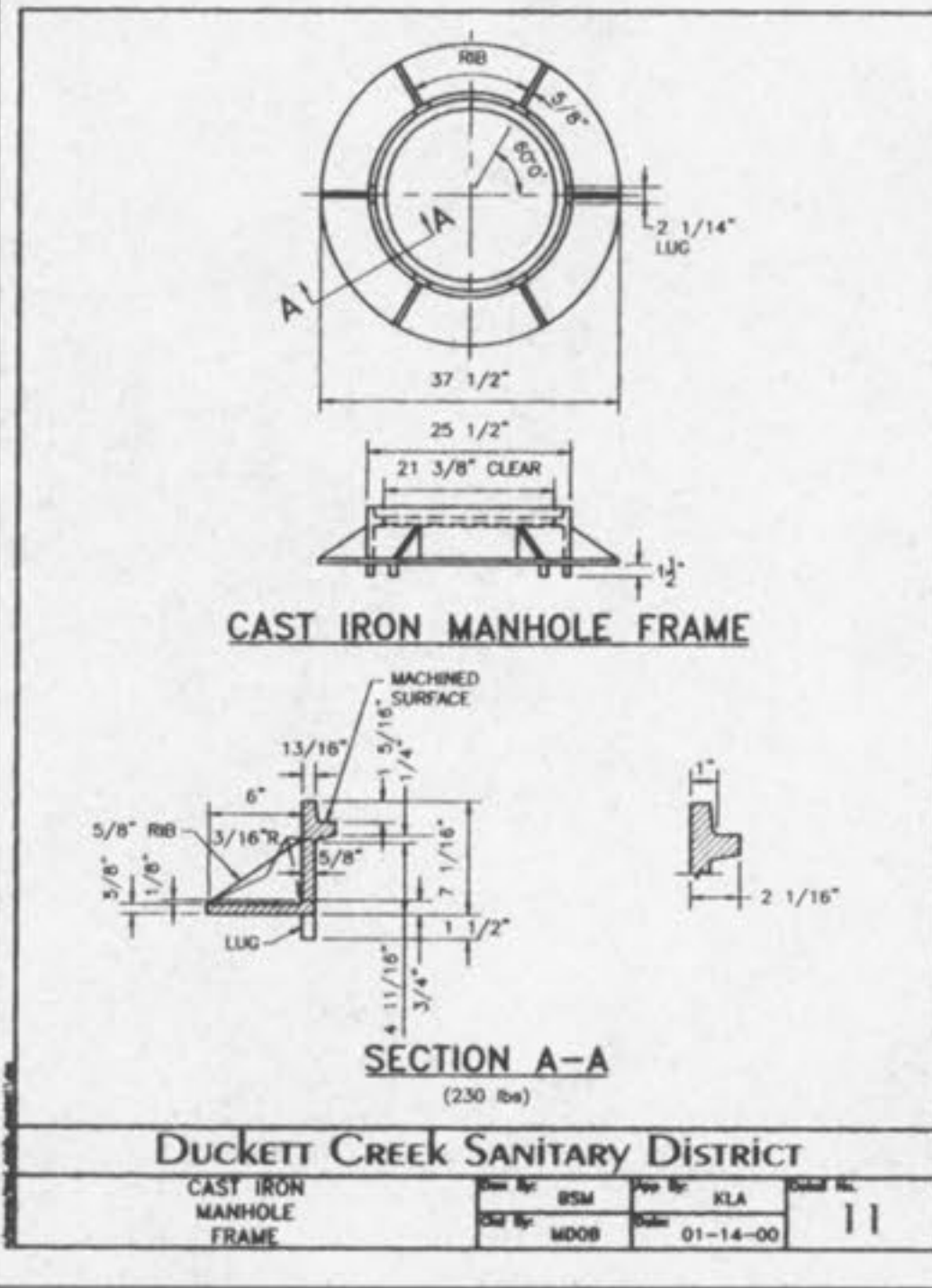
DUCKETT CREEK SANITARY DISTRICT TERMINAL MANHOLE FOR SEWERS 8" THROUGH 18"



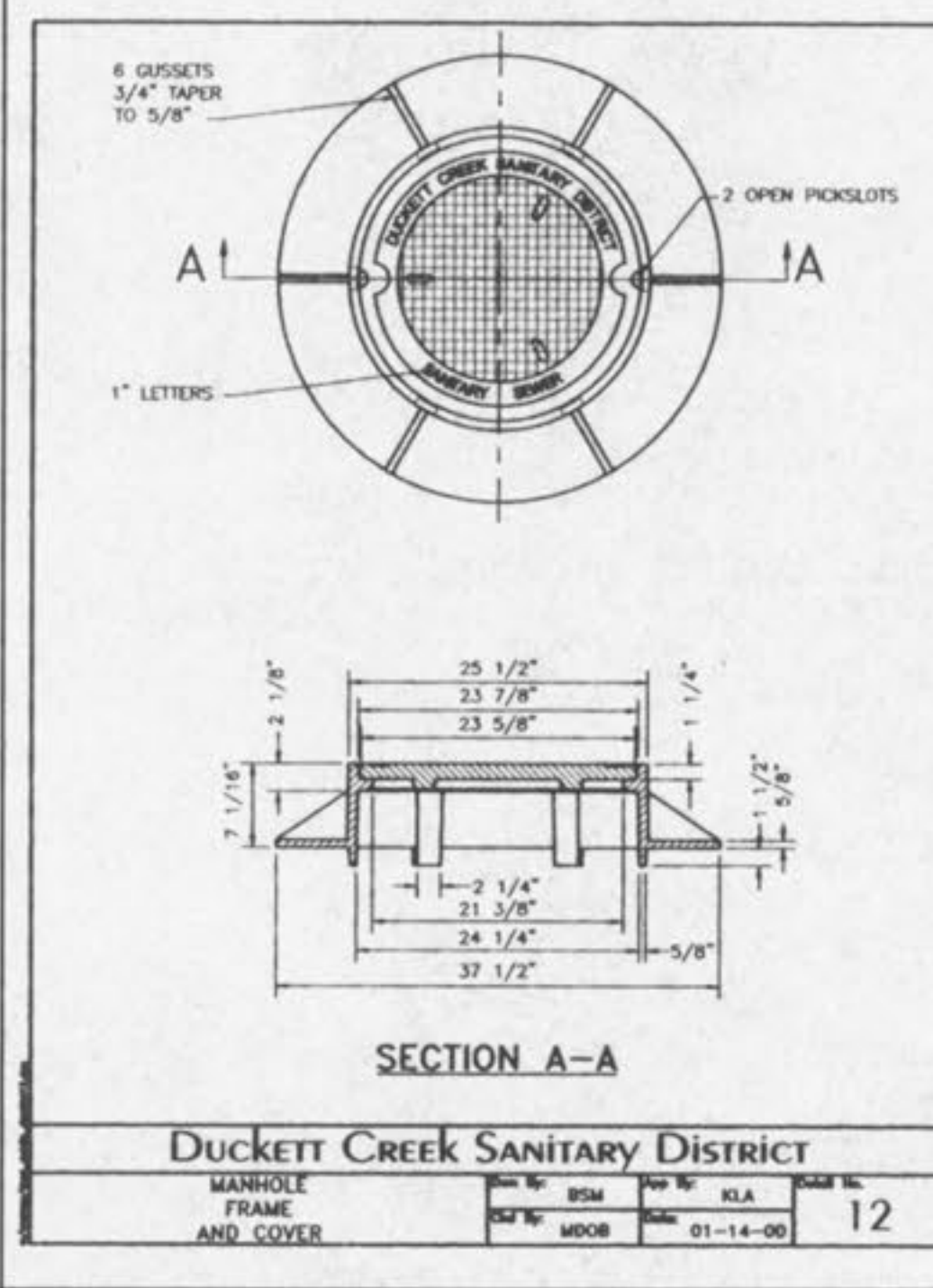
DUCKETT CREEK SANITARY DISTRICT INSIDE FOULWATER DROP MANHOLE (SWEEP INVERT)



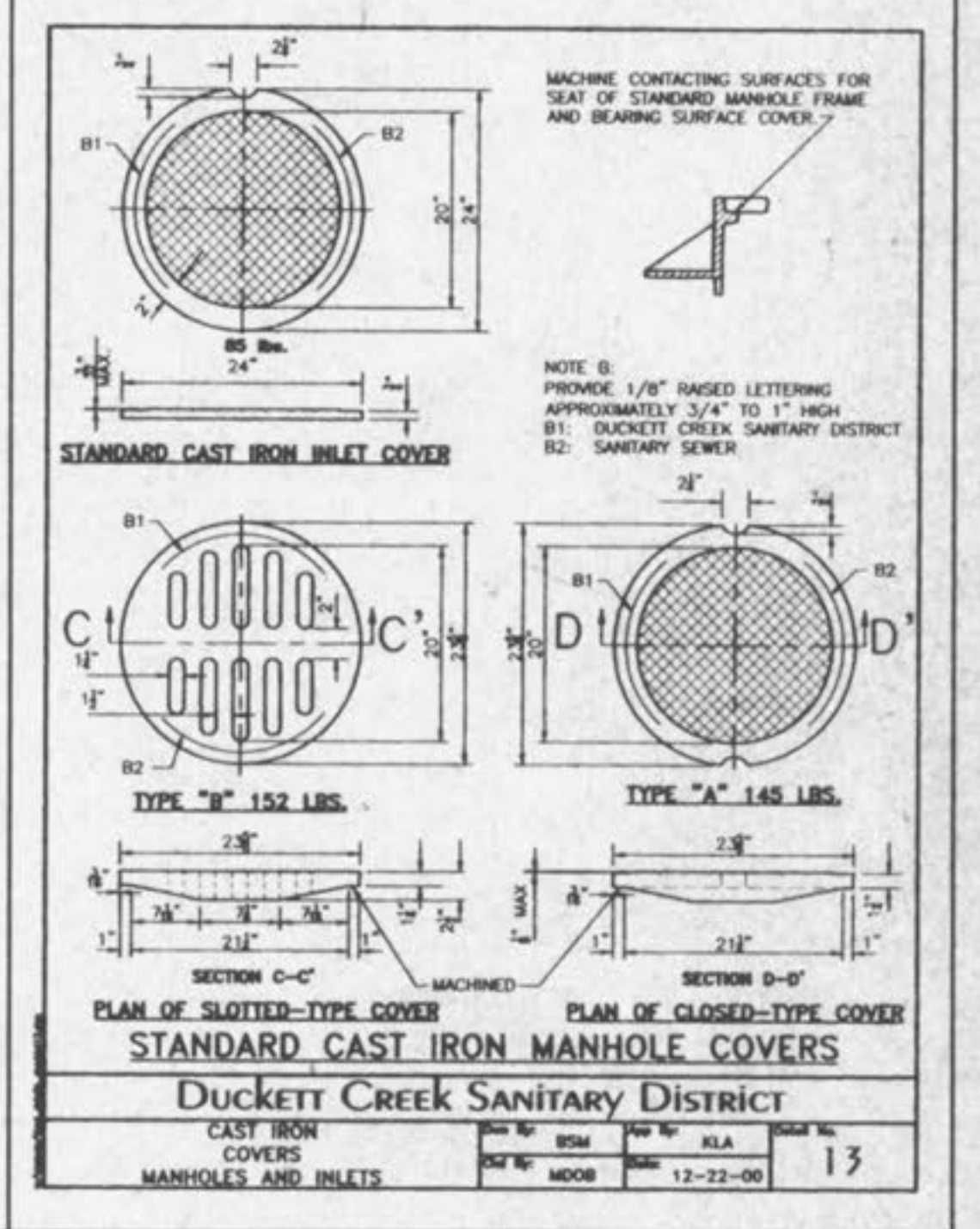
DUCKETT CREEK SANITARY DISTRICT INSIDE DROP MANHOLE



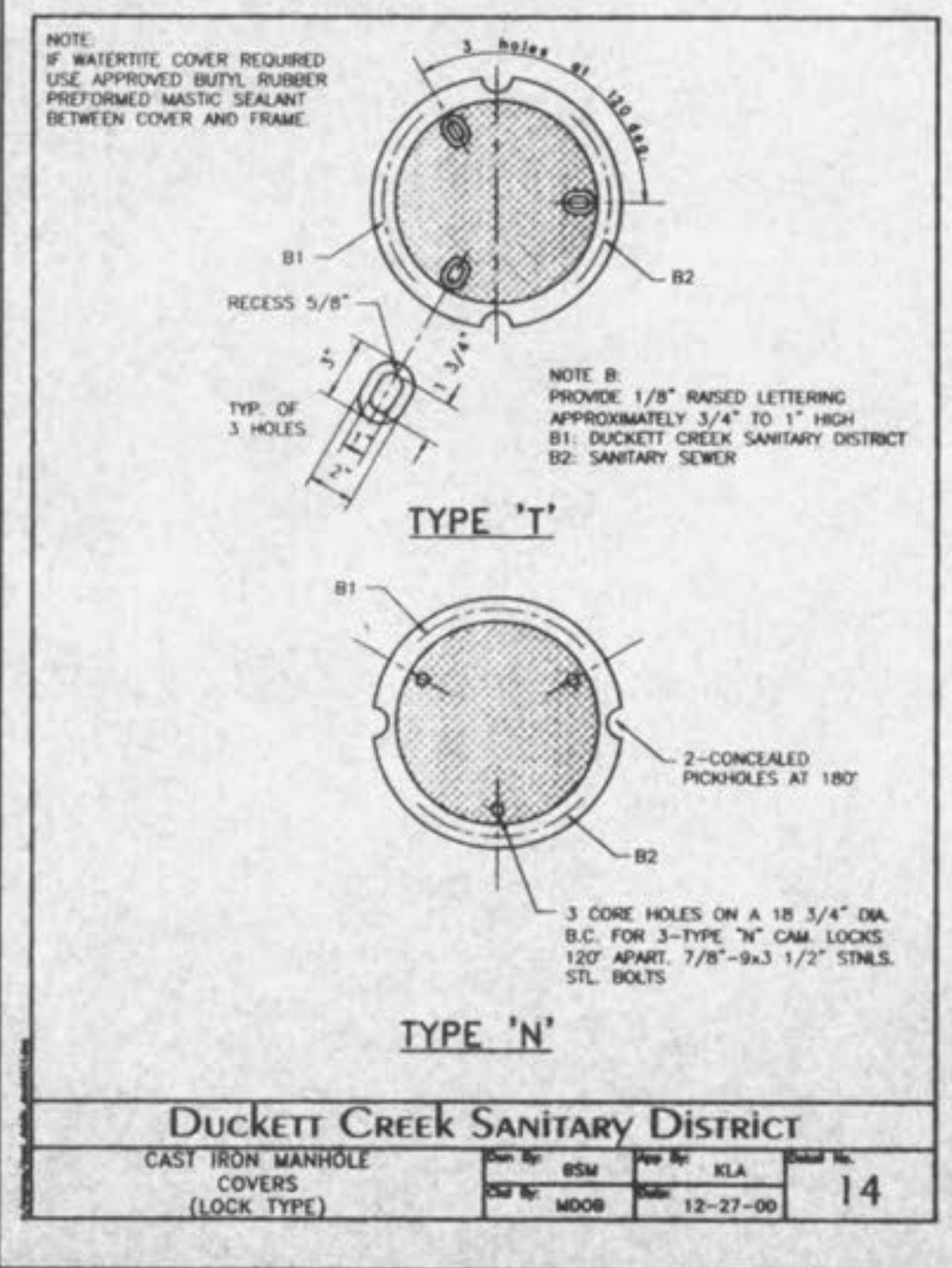
DUCKETT CREEK SANITARY DISTRICT CAST IRON MANHOLE FRAME



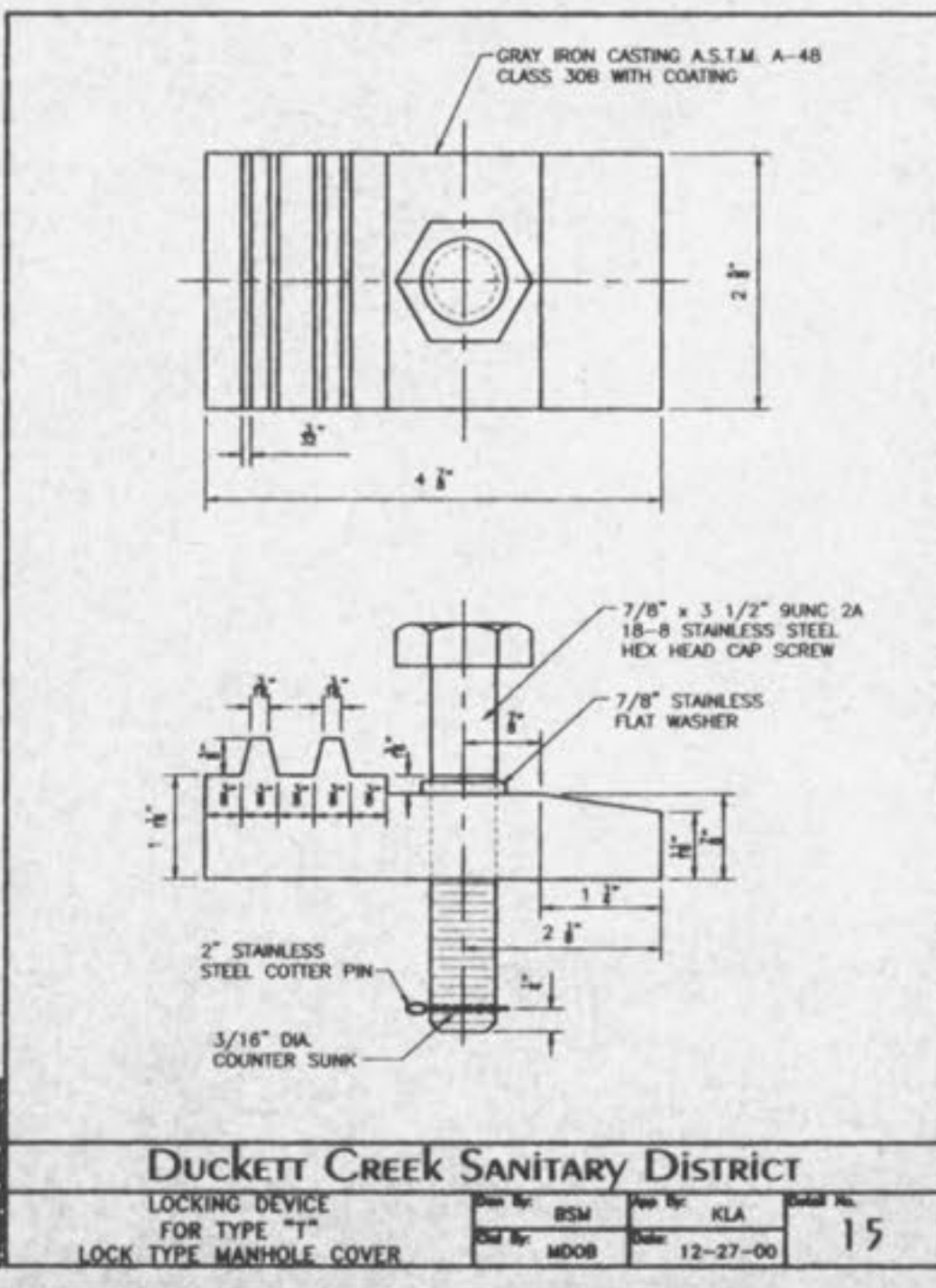
DUCKETT CREEK SANITARY DISTRICT MANHOLE FRAME AND COVER



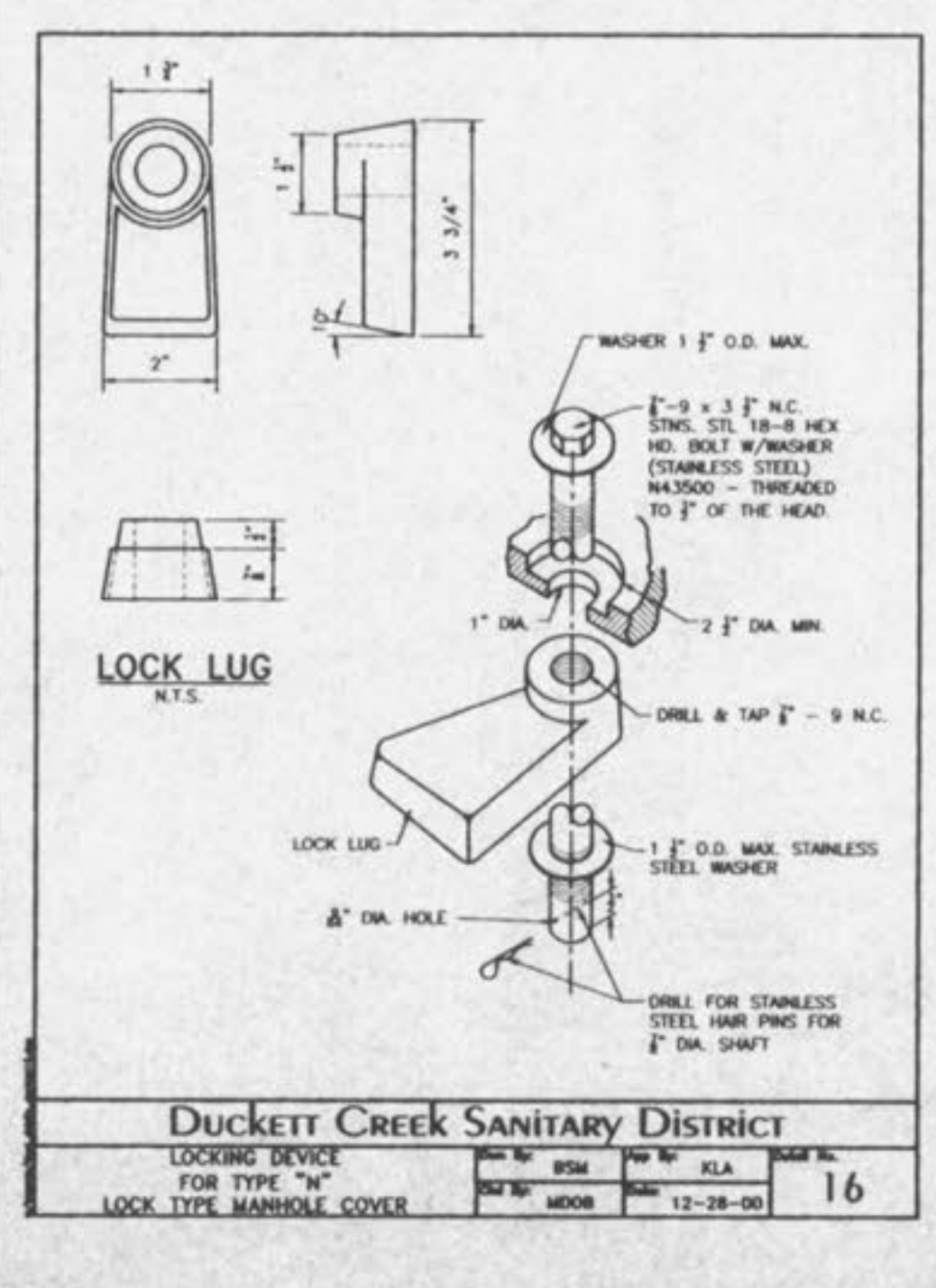
DUCKETT CREEK SANITARY DISTRICT STANDARD CAST IRON MANHOLE COVERS



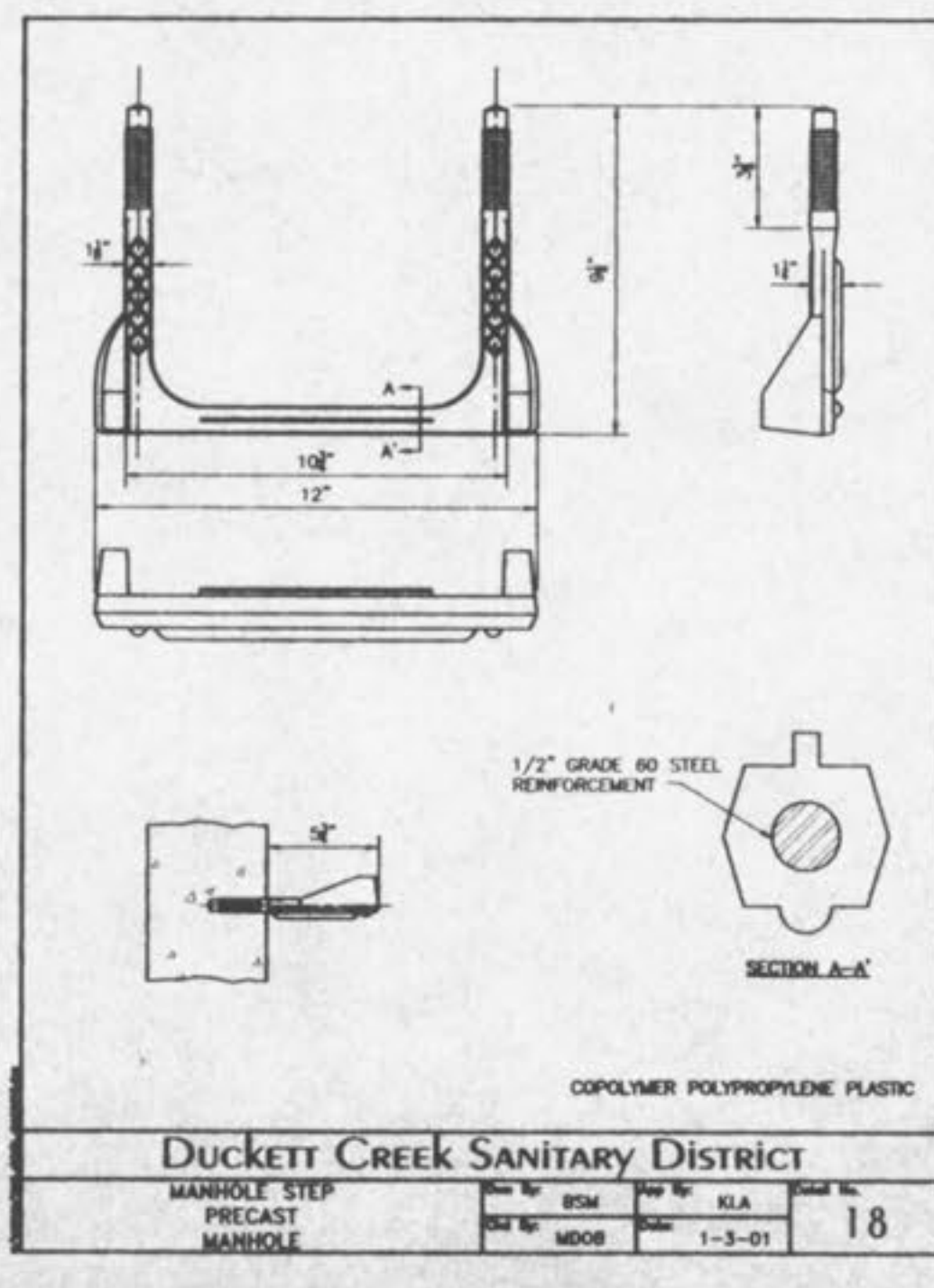
DUCKETT CREEK SANITARY DISTRICT CAST IRON MANHOLE COVERS (LOCK TYPE)



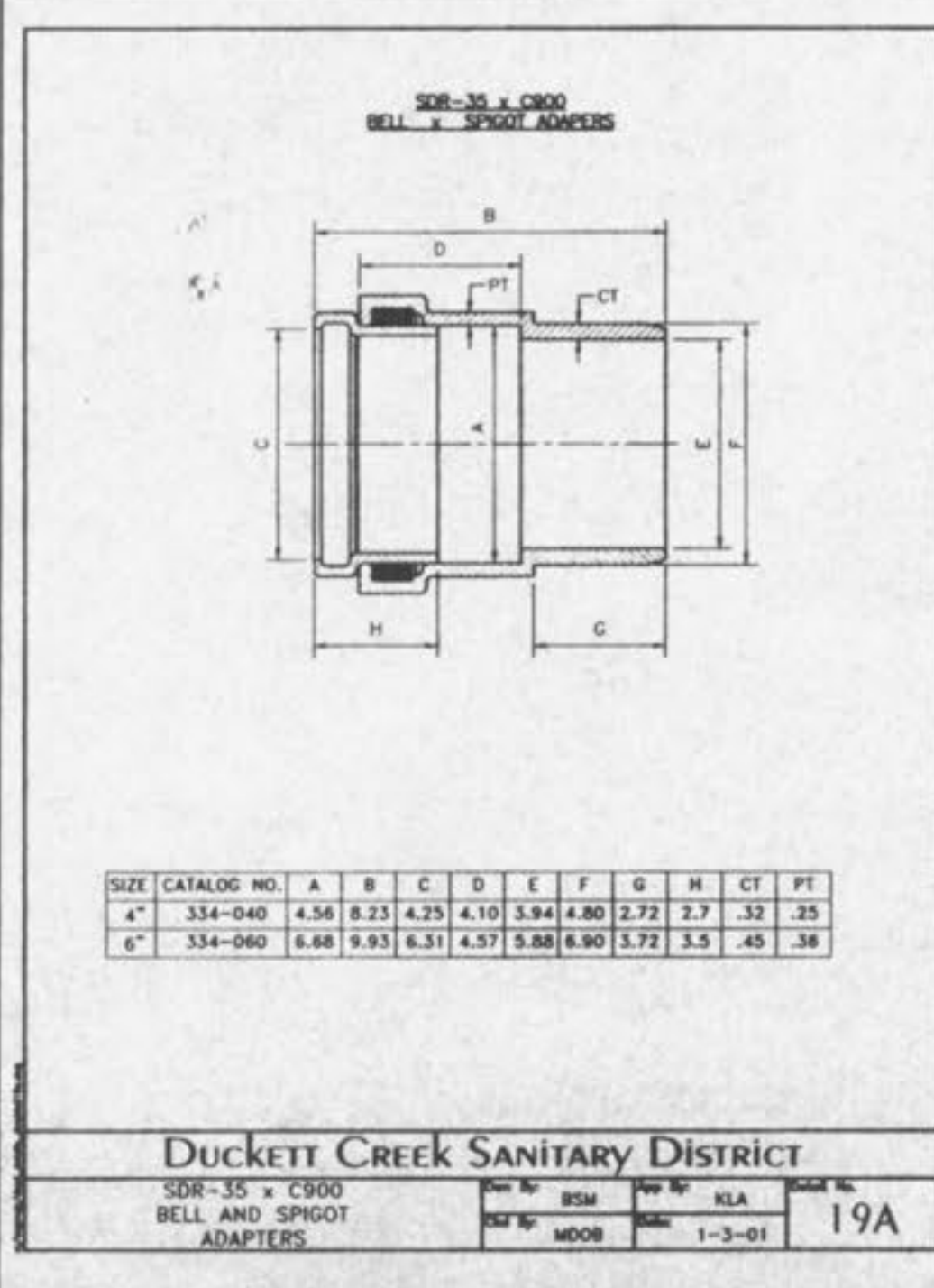
DUCKETT CREEK SANITARY DISTRICT LOCKING DEVICE FOR TYPE 'N' LOCK TYPE MANHOLE COVER



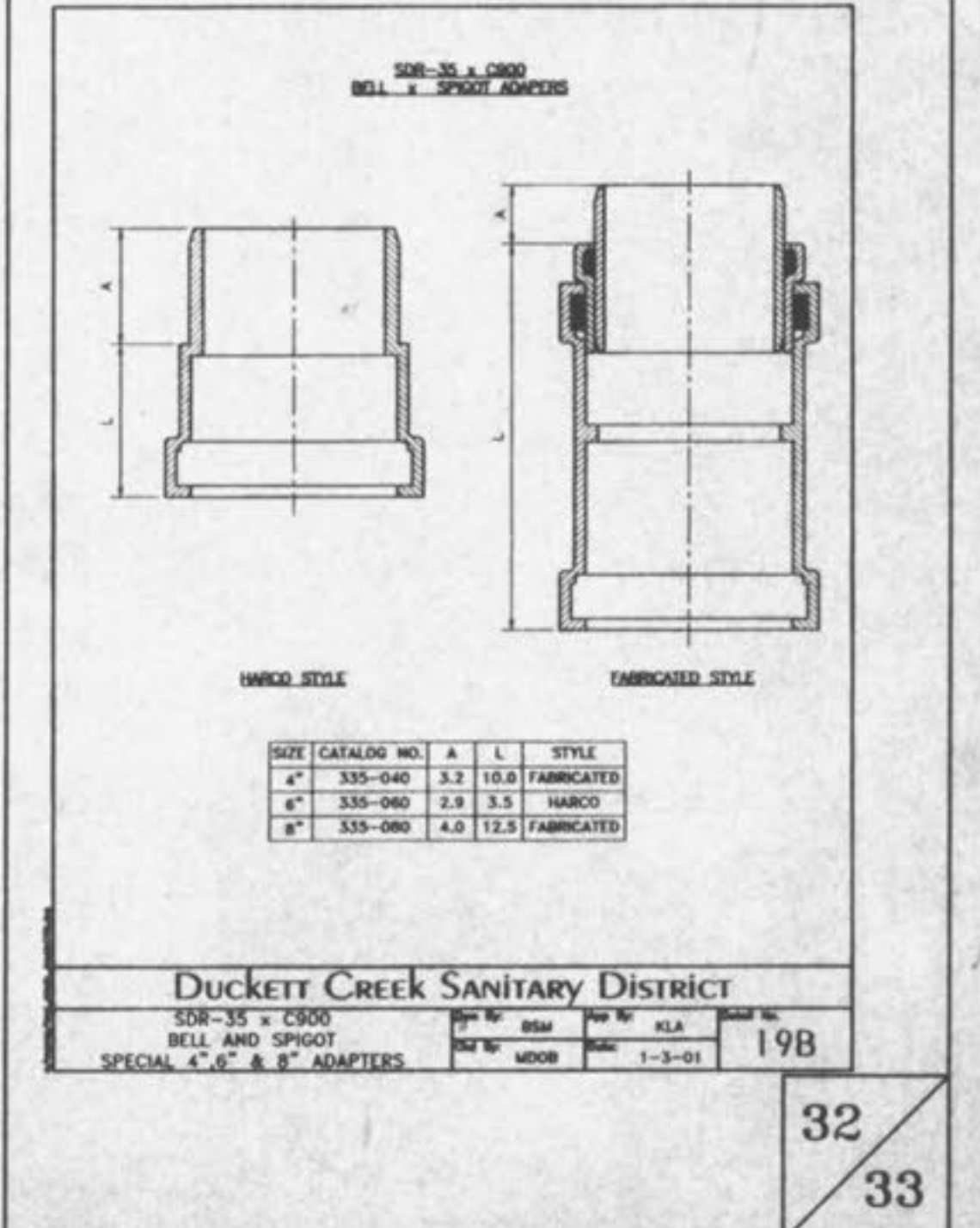
DUCKETT CREEK SANITARY DISTRICT LOCKING DEVICE FOR TYPE 'M' LOCK TYPE MANHOLE COVER



DUCKETT CREEK SANITARY DISTRICT MANHOLE STEP FOR TYPE 'M' PRE-CAST MANHOLE



DUCKETT CREEK SANITARY DISTRICT SDR-35 x C900 BELL AND SPIGOT ADAPTERS



DUCKETT CREEK SANITARY DISTRICT SDR-35 x C900 BELL AND SPIGOT ADAPTERS