

ISSUE	REMARKS/DATE
1	INITIAL SUBMITTAL
2	9-23-20 Rev Duck Creek Cmnt
3	20201001 Rev per City/Duckett/PWSD#2
4	20201014 Rev per Duckett
5	20201020 Rev per City Comments
6	20201102 Rev per DCSD Comments
7	20201106 Rev per City Comments
8	20210406 Rev Per Client Comments
9	20210518 Rev per Developer

**PROJECT TITLE**  
**AMBERLEIGH**  
 OF FALLON, MISSOURI

**THE STERLING CO.**  
**ENGINEERS & SURVEYORS**  
 5055 New Baumgartner Road  
 St. Louis, Missouri 63129  
 Ph 314-487-0440 Fax 314-487-8944  
 www.sterling-eng-survey.com  
 Corporate Certificate of Authority #001348

Date: 8-27-2021  
 Jason D Howell  
 License No. PE 2007002801  
 Professional Engineer

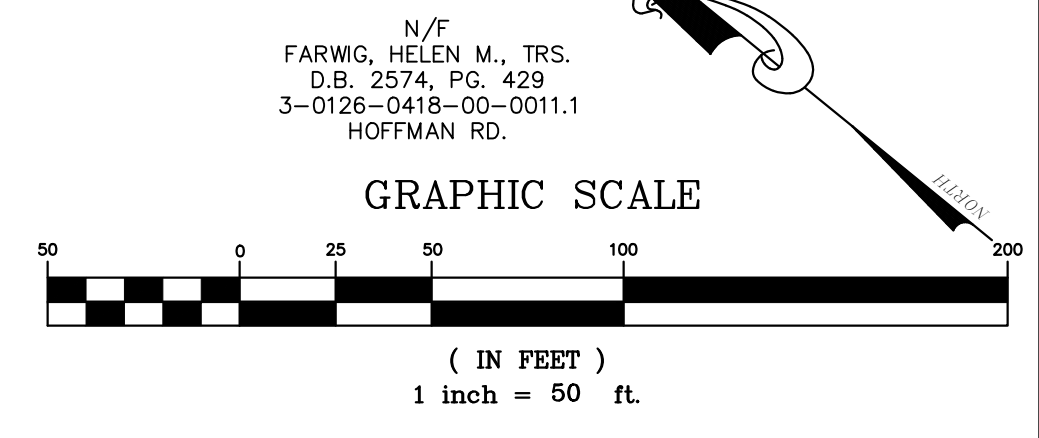
**LOMBARDO HOMES OF ST. LOUIS, LLC**  
 2299 TECHNOLOGY DRIVE, SUITE 150  
 OF FALLON, MISSOURI 63368  
 Ph 636-265-2710  
 Fax 636-695-3195

**P+Z No.** 20-00028  
**City No.** 20-003192  
**Date:** Aug. 27, 2021  
**Job No.** 14-04-136  
**Page No.** 3.6  
 IMP

THE UNDERGROUND UTILITIES SHOWN HEREON WERE PLOTTED FROM AVAILABLE INFORMATION AND DO NOT NECESSARILY REFLECT THE ACTUAL EXISTENCE, NONEXISTENCE, SIZE, TYPE, NUMBER OR LOCATION OF THESE OR OTHER UTILITIES. THE GENERAL CONTRACTOR SHALL BE RESPONSIBLE FOR VERIFYING THE ACTUAL LOCATION OF ALL UNDERGROUND UTILITIES, SHOWN OR NOT SHOWN, AND SAID UTILITIES SHALL BE LOCATED IN THE FIELD PRIOR TO ANY GRADING, EXCAVATION OR CONSTRUCTION OF IMPROVEMENTS. THESE PROVISIONS SHALL IN NO WAY ABSOLVE ANY PARTY FROM COMPLYING WITH THE UNDERGROUND FACILITY SAFETY AND DAMAGE PREVENTION ACT, CHAPTER 319, RSMo

**NOTE:**  
 SEE SEPARATE SWPPP AND ROUGH GRADING PLANS DATED 6-23-2020 FOR SEDIMENT AND EROSION CONTROL DESIGN AND DETAILS

**NOTE:**  
 • SEE SHEET 3.7 FOR LOT INFORMATION TABLE FOR TOP OF FOUNDATION ELEVATION, BASEMENT FLOOR ELEVATION, ECT...  
 • GRANULAR FILL SHALL BE PROVIDED FOR ALL STORM SEWER, SANITARY SEWER AND/OR WATER MAIN TRENCHES THAT CROSS THE PAVEMENT, LIE WITHIN TEN(10) FEET OF THE EDGE OF PAVEMENT AND/OR THE 1:1 SHEAR PLANE OF THE ROAD



Drawing name: V:\1404136\Draws\CI\Howell\1404136\Draws\Grading\Improvements\136IMP.dwg Printed on: Aug. 27, 2021 - 10:48am Plotted by: jhowell