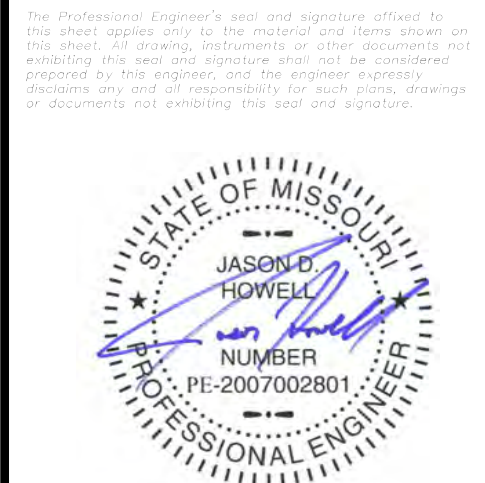


ISSUE	REMARKS/DATE
1	INITIAL SUBMITTAL
2	9-23-20 Rev Duck Creek Cmmnt
3	20201001 Rev per City/Duckett/PWSD#2
4	20201014 Rev per Duckett
5	20201020 Rev per City Comments
6	20201102 Rev per DCSD Comments
7	20201106 Rev per City Comments

PROJECT TITLE

**AMBERLEIGH**  
OF FALLON, MISSOURI

**THE STERLING CO.**  
ENGINEERS & SURVEYORS  
5055 New Baumgartner Road  
St. Louis, Missouri 63129  
Ph 314-487-0440 Fax 314-487-8944  
www.sterling-eng-survey.com  
Corporate Certificate of Authority #001548



Date: 5-18-2021  
Jason D Howell  
License No. PE 2007002801  
Professional Engineer

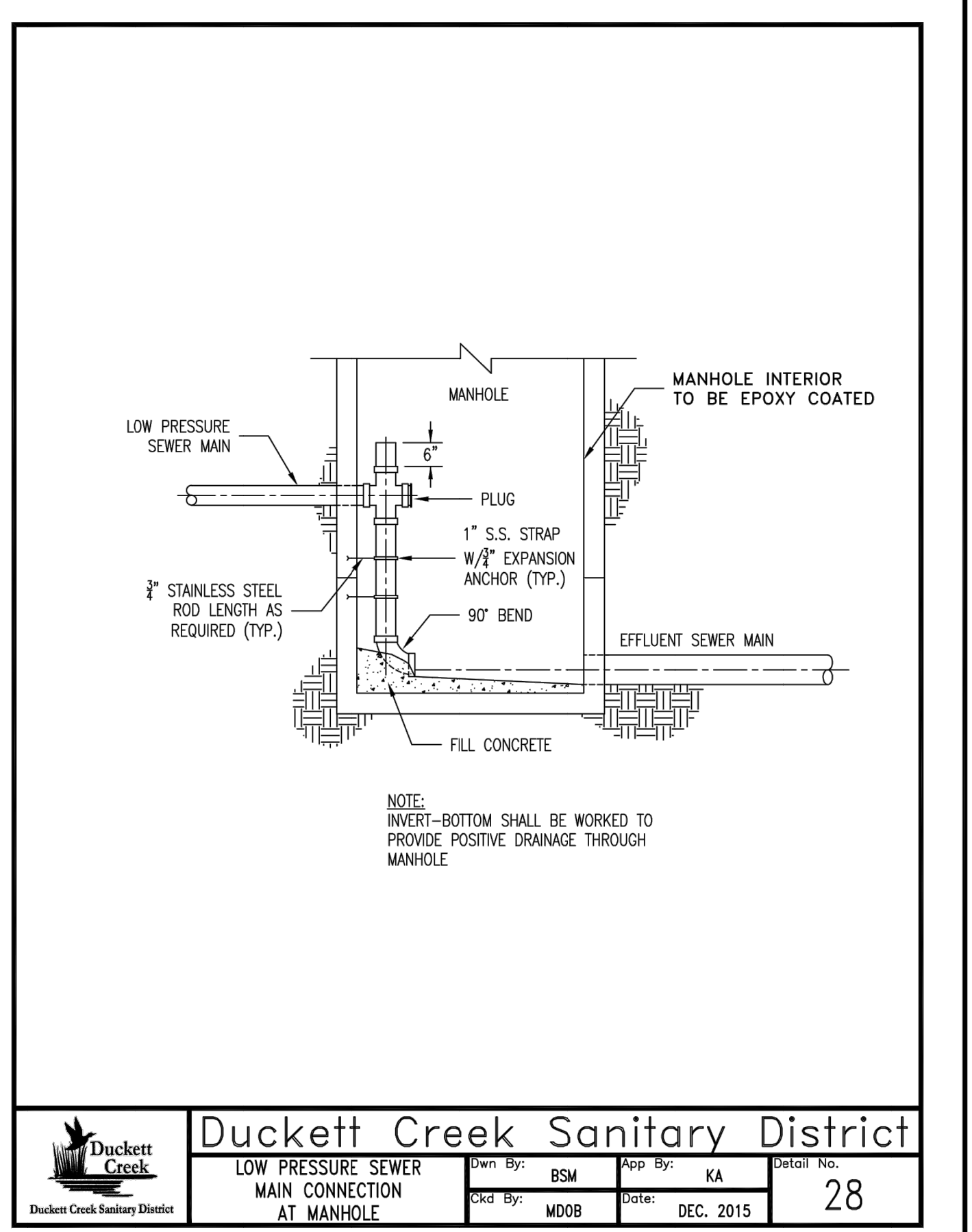
**LOMBARDO HOMES OF ST. LOUIS, LLC**  
2299 TECHNOLOGY DRIVE, SUITE 150  
OF FALLON, MISSOURI 63368  
Ph 636-265-2710  
Fax 636-695-3195

DUCKETT CREEK SANITARY SEWER DETAILS

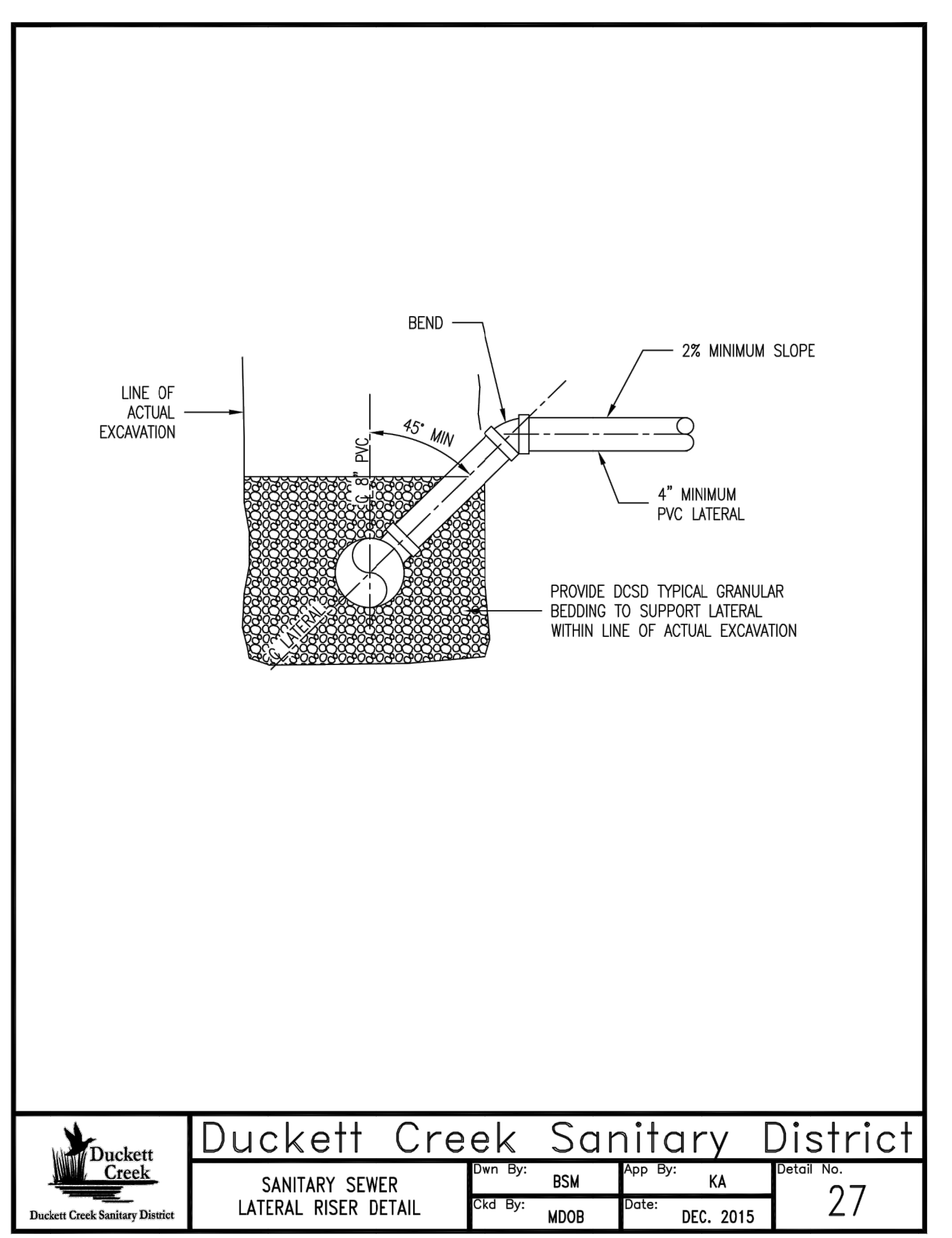
P+Z No. 20-000028  
City No. 20-003192  
Date: May 18, 2021  
Job No. 14-04-136  
Page No.

7.11

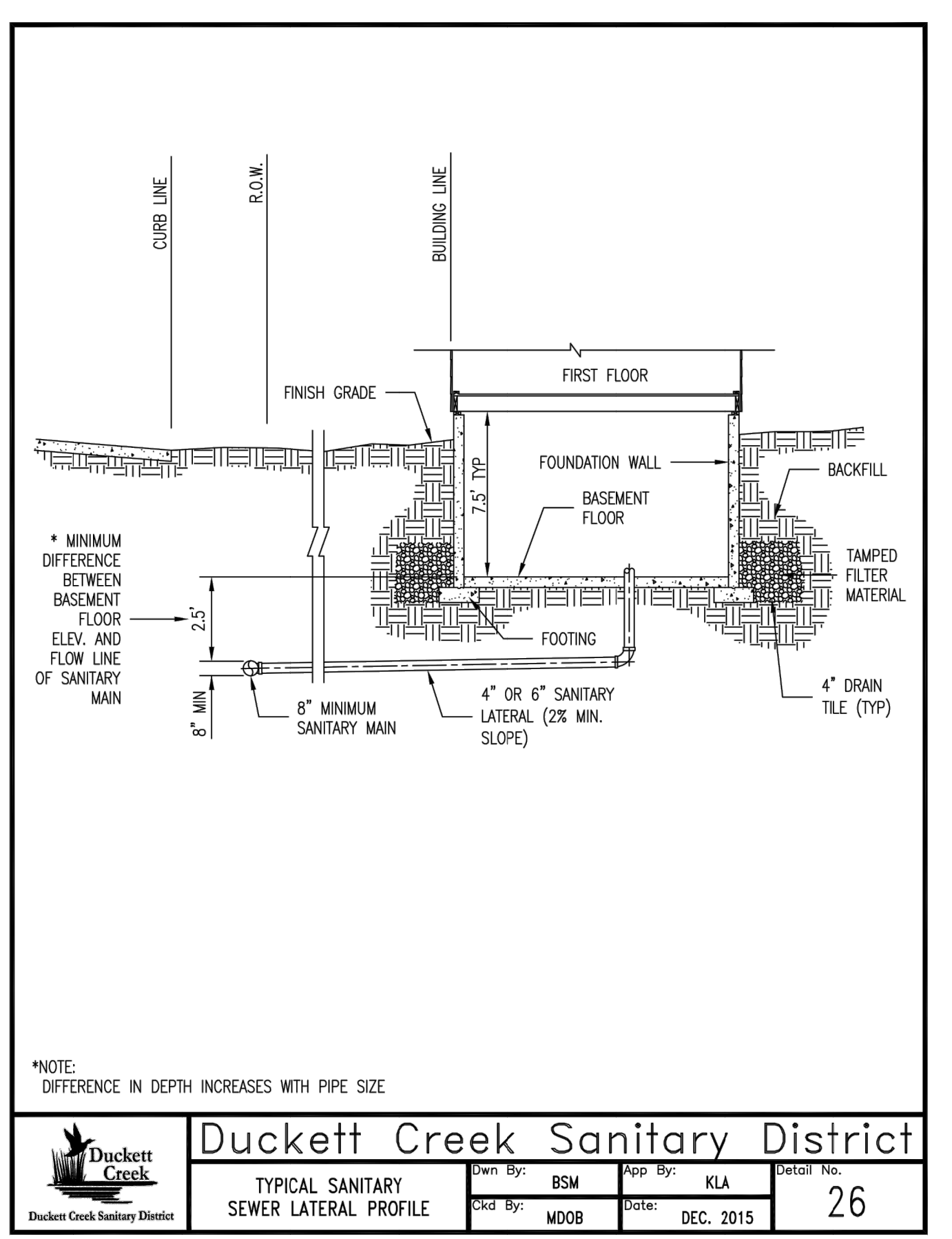
IMP



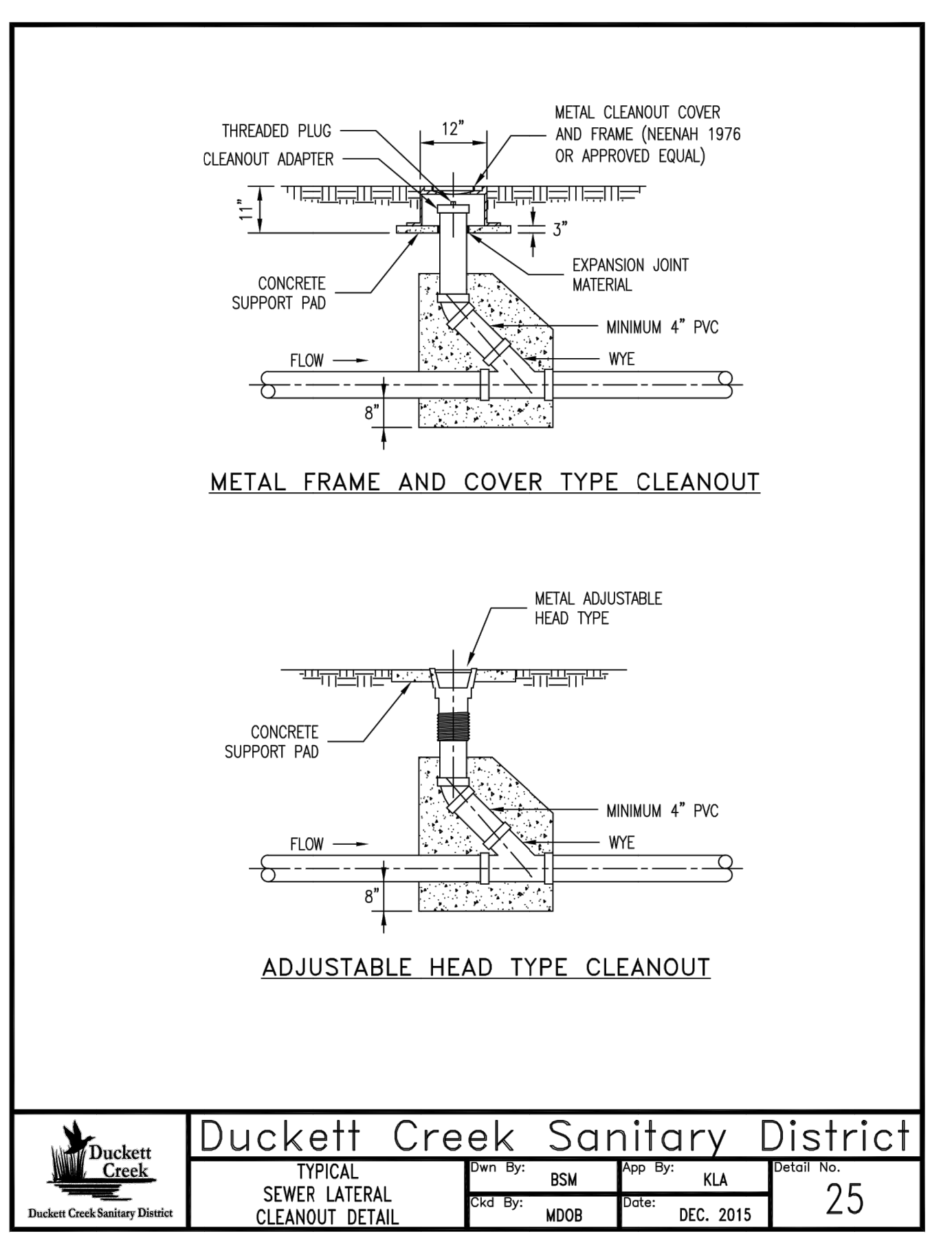
Duckett Creek Sanitary District  
LOW PRESSURE SEWER MAIN CONNECTION AT MANHOLE  
Dwn By: BSM App By: KA Detail No. 28  
Ckd By: MDOB Date: DEC. 2015



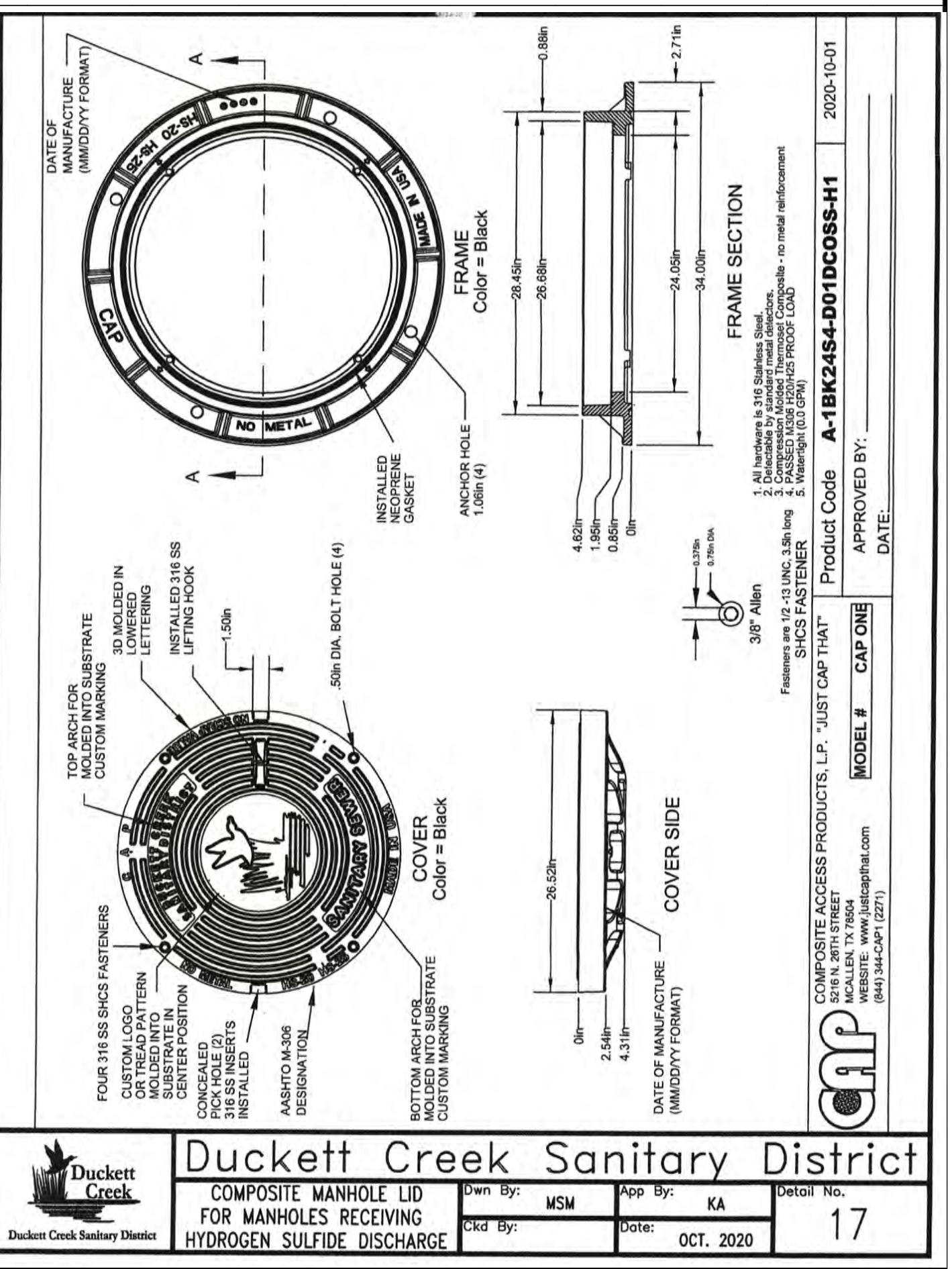
Duckett Creek Sanitary District  
SANITARY SEWER LATERAL RISER DETAIL  
Dwn By: BSM App By: KA Detail No. 27  
Ckd By: MDOB Date: DEC. 2015



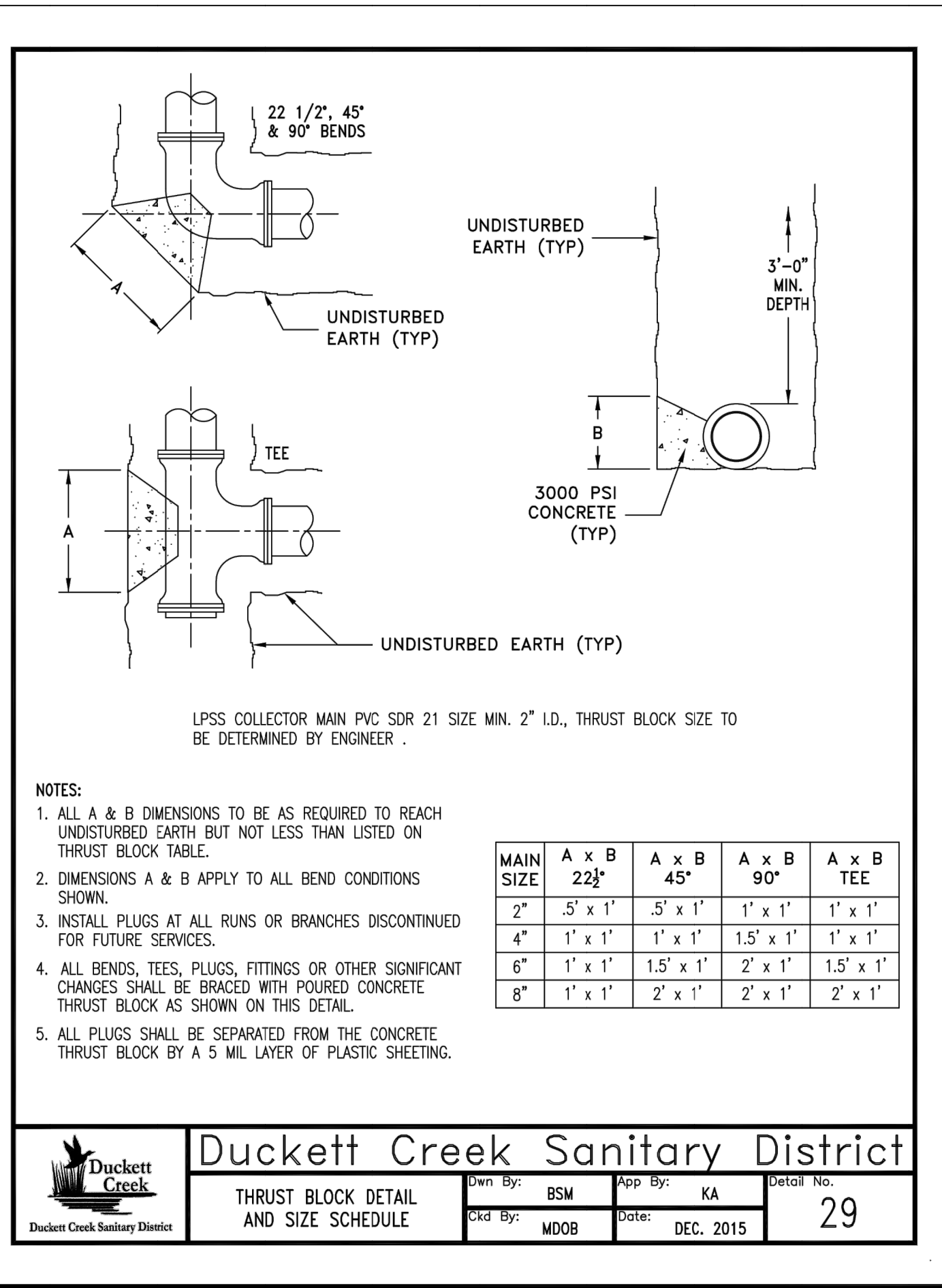
Duckett Creek Sanitary District  
TYPICAL SANITARY SEWER LATERAL PROFILE  
Dwn By: BSM App By: KLA Detail No. 26  
Ckd By: MDOB Date: DEC. 2015



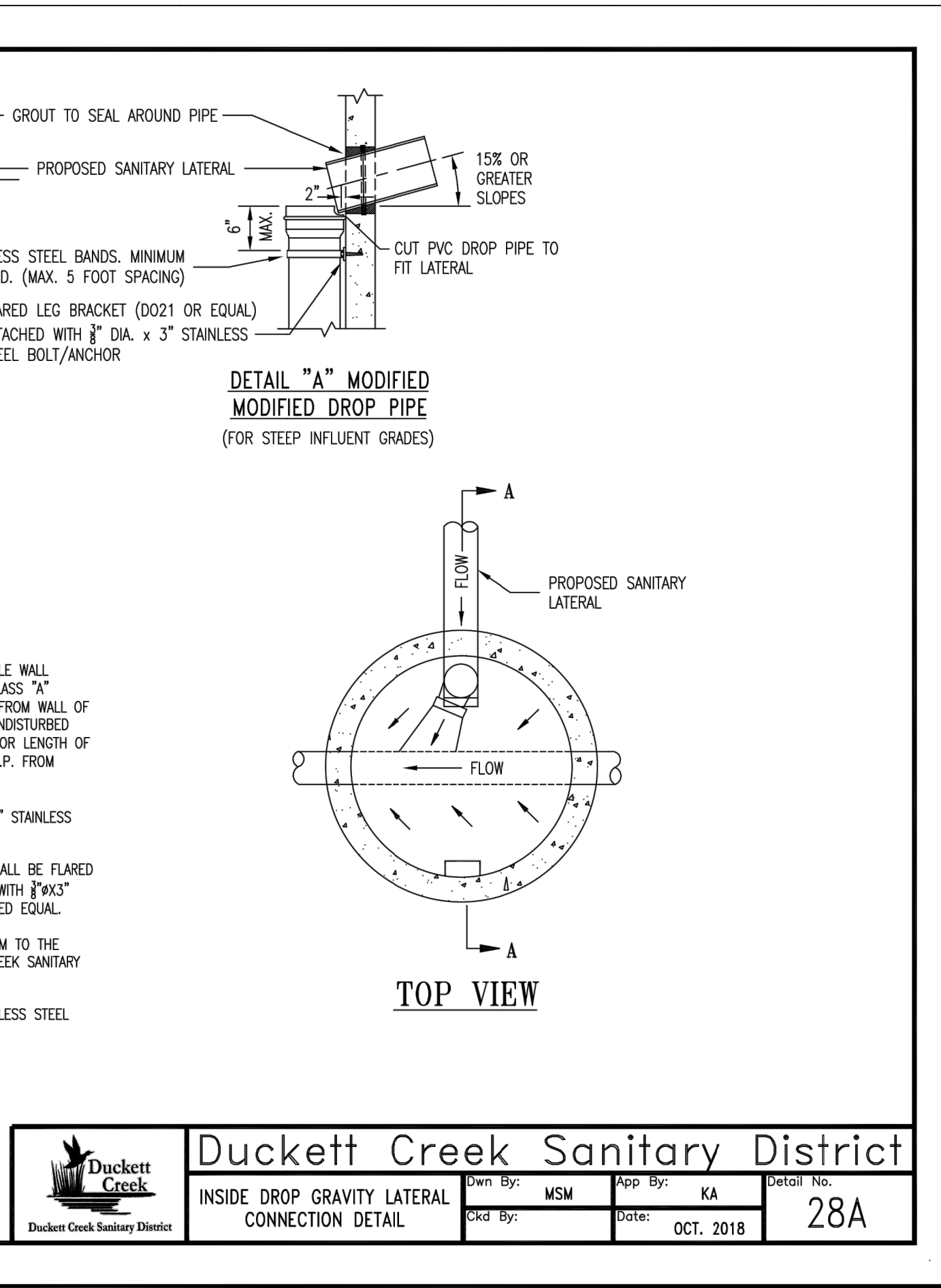
Duckett Creek Sanitary District  
TYPICAL SEWER LATERAL CLEANOUT DETAIL  
Dwn By: BSM App By: KLA Detail No. 25  
Ckd By: MDOB Date: DEC. 2015



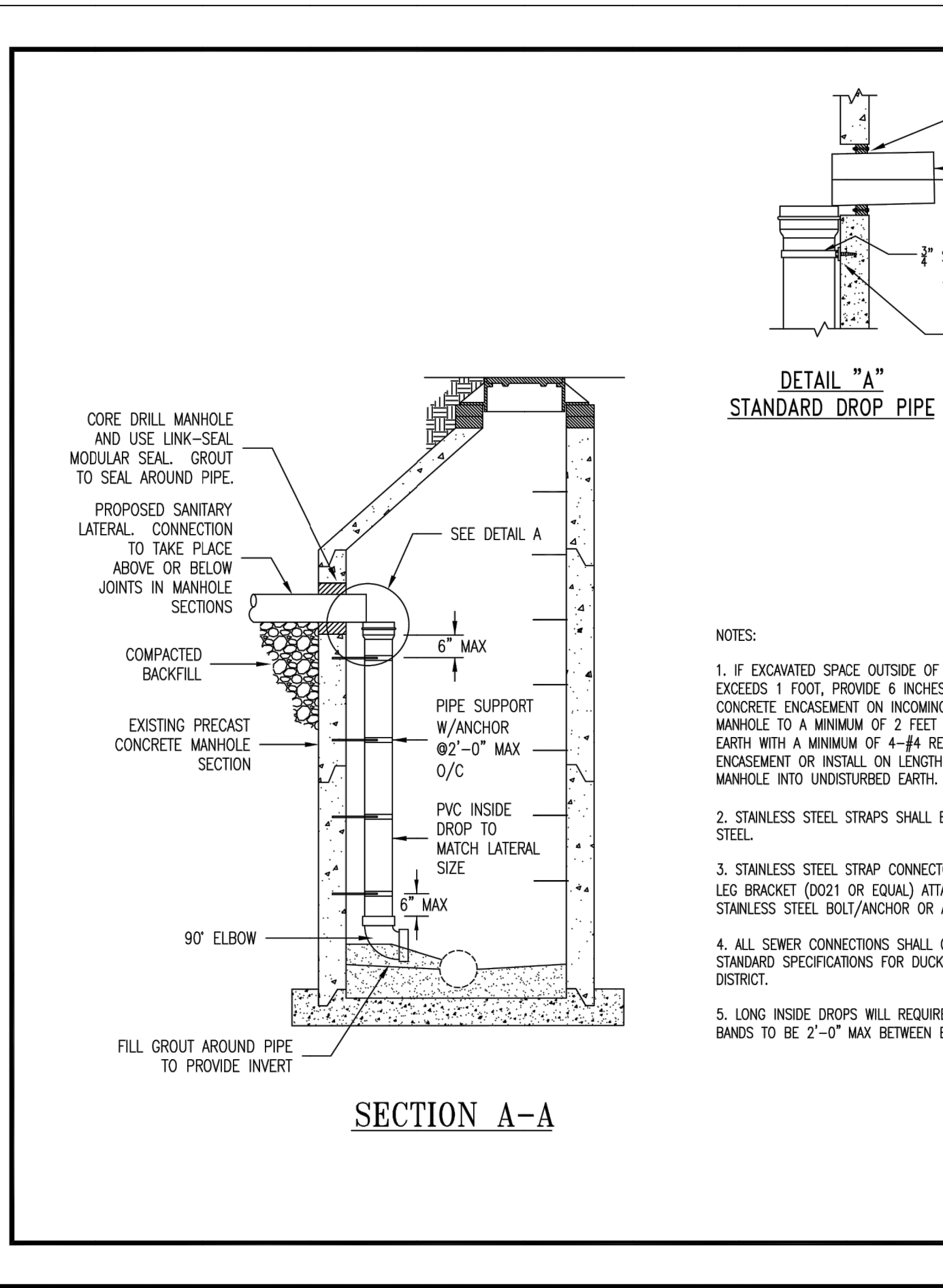
Duckett Creek Sanitary District  
COMPOSITE MANHOLE LID FOR MANHOLES RECEIVING HYDROGEN SULFIDE DISCHARGE  
Dwn By: MSM App By: KA Detail No. 17  
Ckd By: MDOB Date: OCT. 2020



Duckett Creek Sanitary District  
THRUST BLOCK DETAIL AND SIZE SCHEDULE  
Dwn By: BSM App By: KA Detail No. 29  
Ckd By: MDOB Date: DEC. 2015



Duckett Creek Sanitary District  
INSIDE DROP GRAVITY LATERAL CONNECTION DETAIL  
Dwn By: MSM App By: KA Detail No. 28A  
Ckd By: MDOB Date: OCT. 2018



Duckett Creek Sanitary District  
SECTION A-A  
Dwn By: MSM App By: KA Detail No. 28A  
Ckd By: MDOB Date: OCT. 2018