

ISSUE	REMARKS/DATE
1	INITIAL SUBMITTAL
2	9-23-20 Rev Duckett Creek Cmmnt
3	20201001 Rev per City/Duckett/PWSD#2
4	20201014 Rev per Duckett
5	20201020 Rev per City Comments
6	20201102 Rev per DCSD Comments
7	20201106 Rev per City Comments

PROJECT TITLE

AMBERLEIGH
OF FALLON, MISSOURI

THE STERLING CO.
ENGINEERS & SURVEYORS
5055 New Baumgartner Road
St. Louis, Missouri 63129
Ph 314-487-0440 Fax 314-487-8944
www.sterling-eng-survey.com
Corporate Certificate of Authority #001348



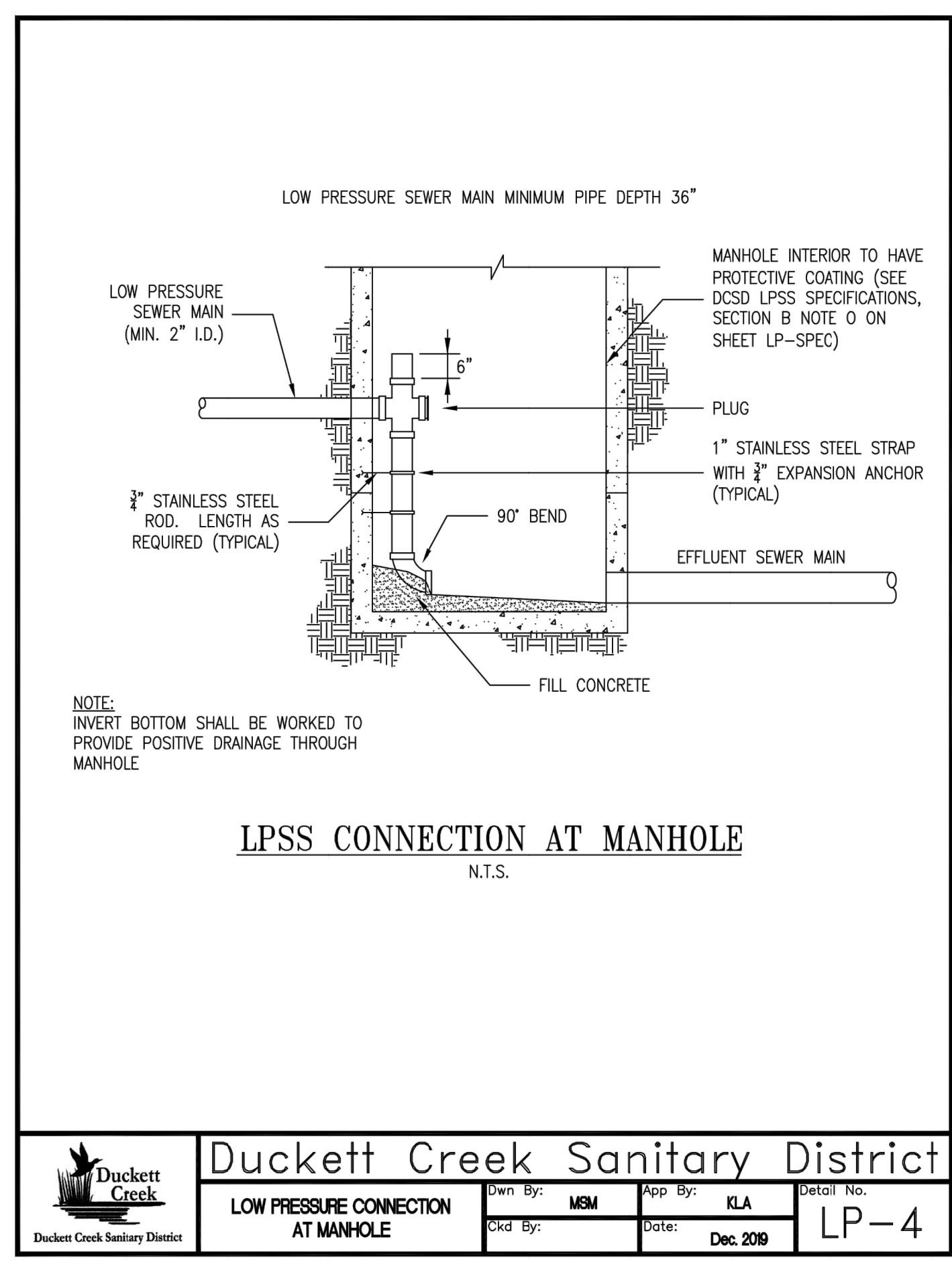
Date: 5-18-2021
Jason D Howell
License No. PE 2007002801
Professional Engineer

LOMBARDO HOMES OF ST. LOUIS, LLC
2299 TECHNOLOGY DRIVE, SUITE 150
OF FALLON, MISSOURI 63368
Ph. 636-265-2710
Fax 636-695-3195

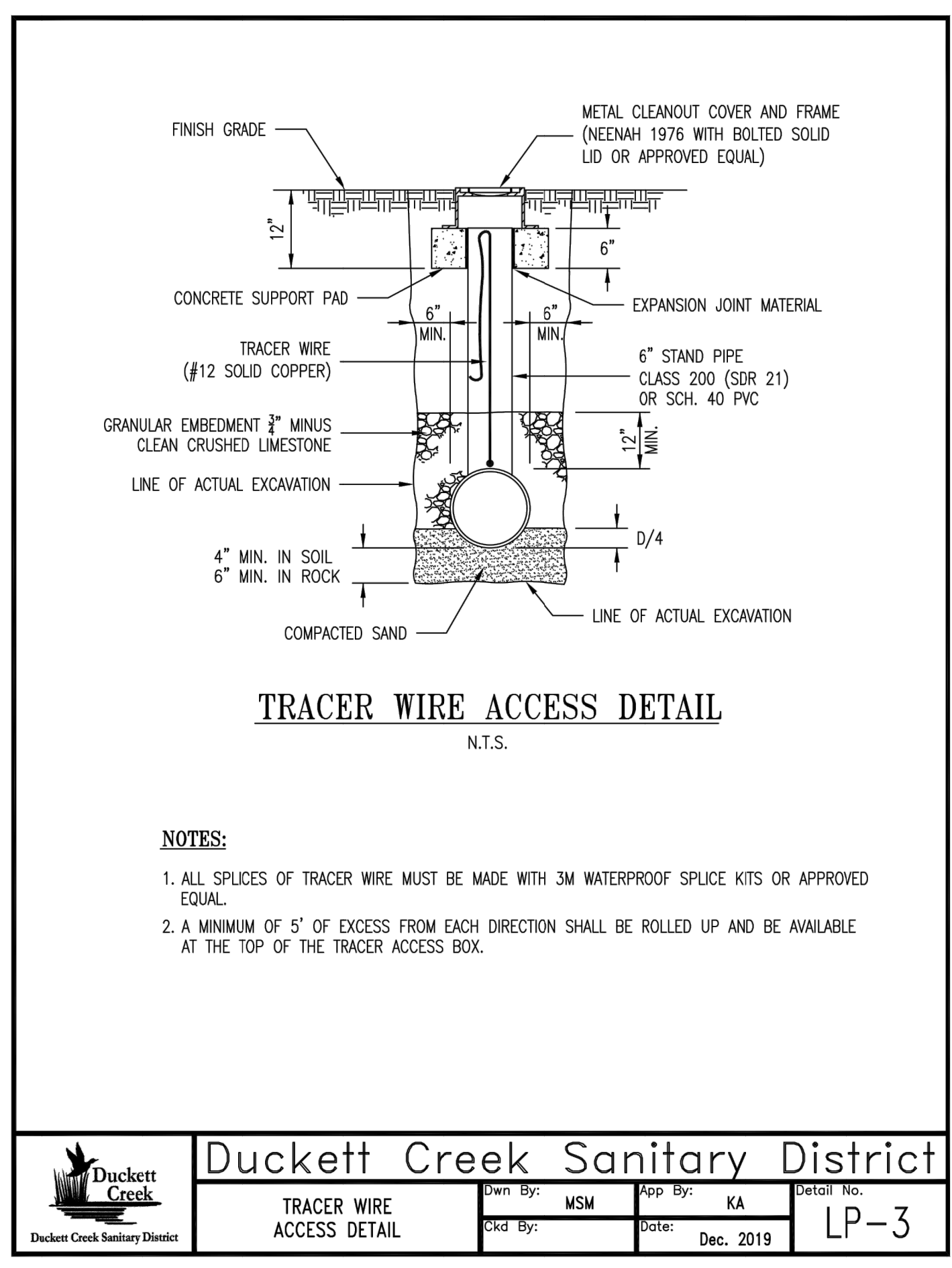
DUCKETT CREEK SANITARY SEWER DETAILS

P+Z No. 20-000028
City No. 20-003192
Date: May 18, 2021
Job No. 14-04-136

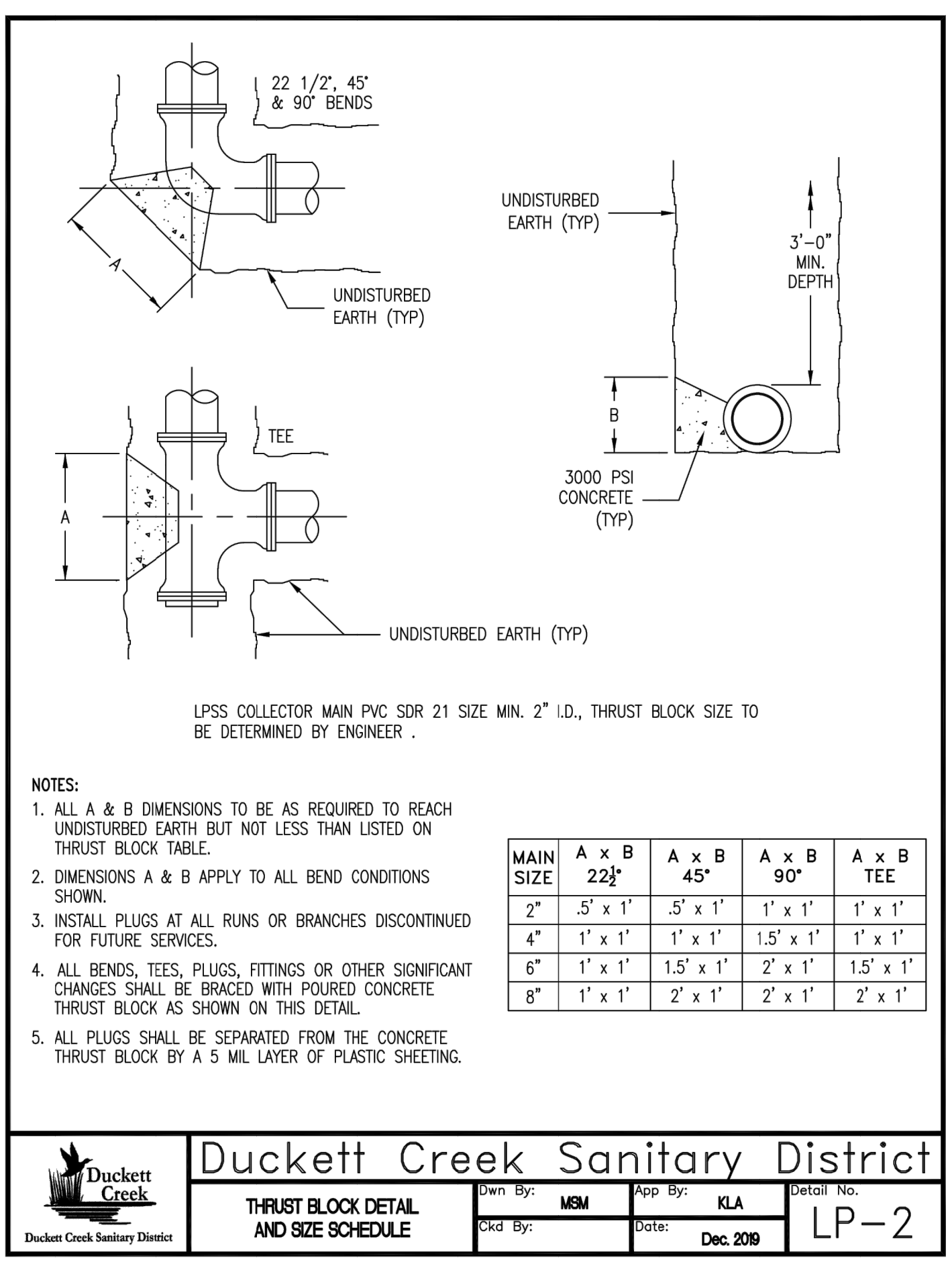
Page No. **7.14**



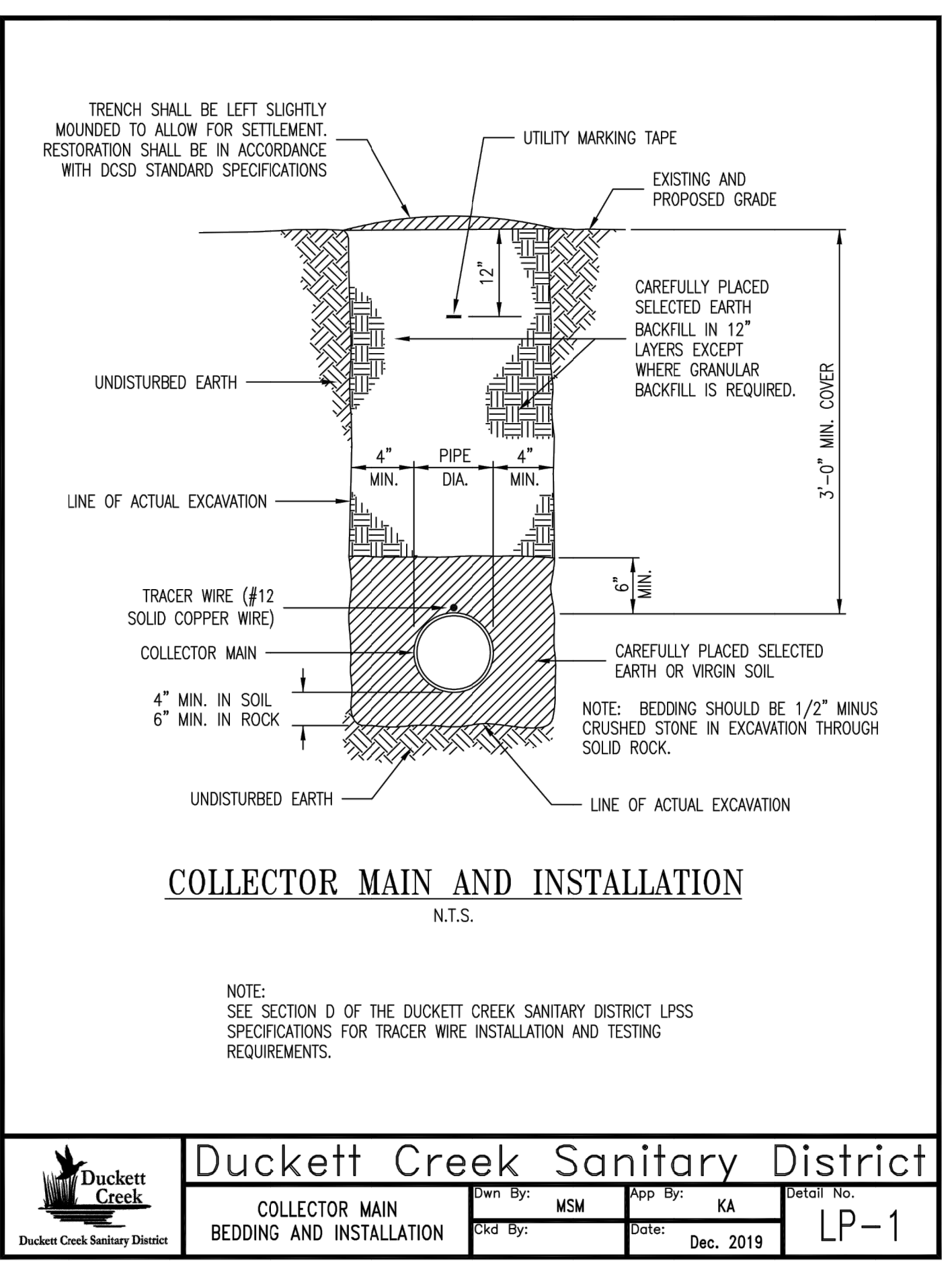
Duckett Creek Sanitary District	Duckett Creek Sanitary District	Duckett Creek Sanitary District	Duckett Creek Sanitary District
LOW PRESSURE SEWER MAIN BEDDING AND INSTALLATION	LPSS CONNECTION AT MANHOLE	TRACER WIRE ACCESS DETAIL	LPSS CONNECTION AT MANHOLE
Own By: MSM	Own By: MSM	Own By: MSM	Own By: MSM
App By: KA	App By: KLA	App By: KA	App By: KLA
Detail No. LP-1	Detail No. LP-4	Detail No. LP-3	Detail No. LP-4
Clk By: []	Clk By: []	Clk By: []	Clk By: []
Date: Dec. 2019	Date: Dec. 2019	Date: Dec. 2019	Date: Dec. 2019



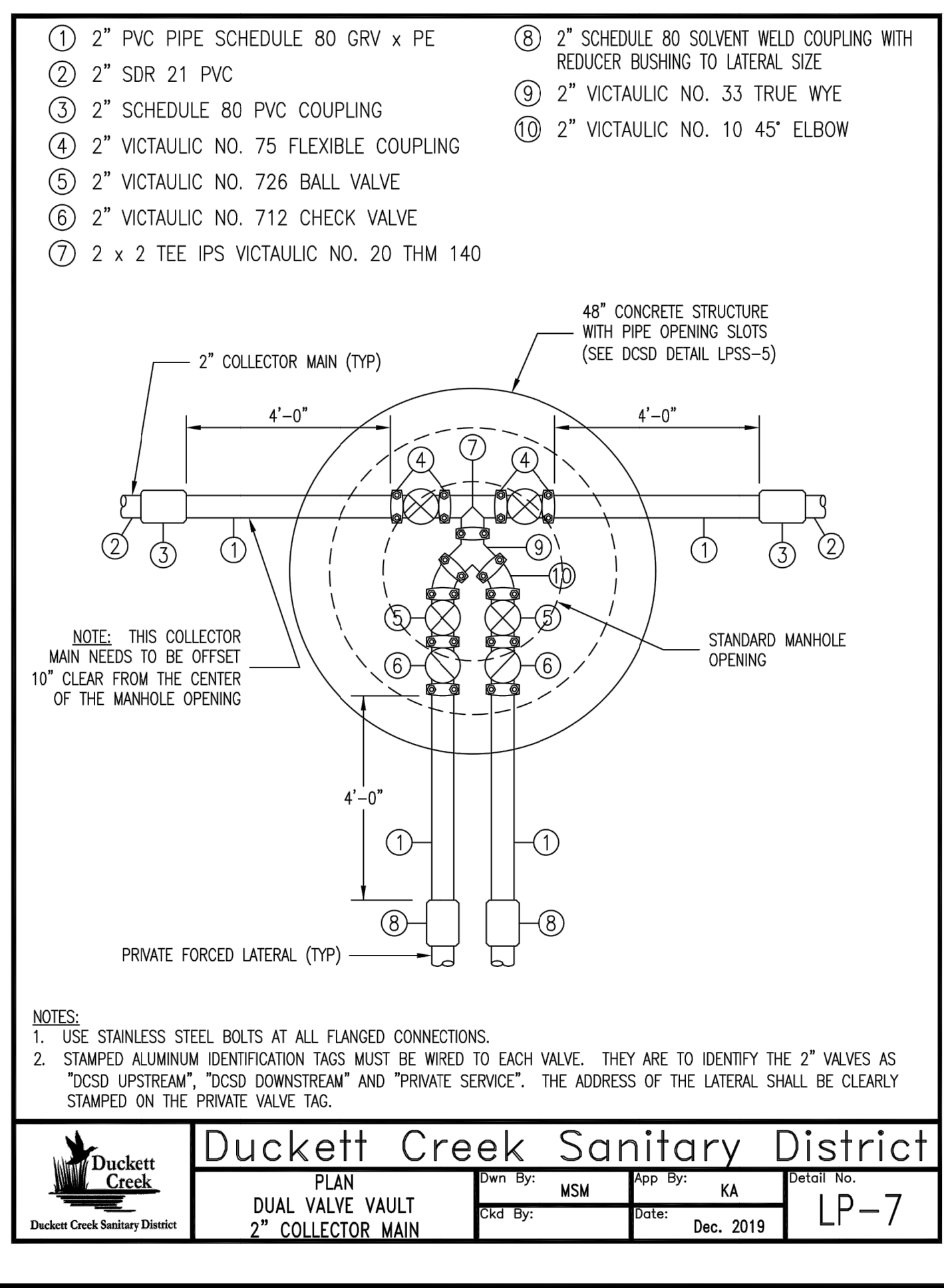
Duckett Creek Sanitary District	Duckett Creek Sanitary District	Duckett Creek Sanitary District	Duckett Creek Sanitary District
TRACER WIRE ACCESS DETAIL	TRACER WIRE ACCESS DETAIL	TRACER WIRE ACCESS DETAIL	TRACER WIRE ACCESS DETAIL
Own By: MSM	Own By: MSM	Own By: MSM	Own By: MSM
App By: KA	App By: KLA	App By: KA	App By: KLA
Detail No. LP-3	Detail No. LP-3	Detail No. LP-3	Detail No. LP-3
Clk By: []	Clk By: []	Clk By: []	Clk By: []
Date: Dec. 2019	Date: Dec. 2019	Date: Dec. 2019	Date: Dec. 2019



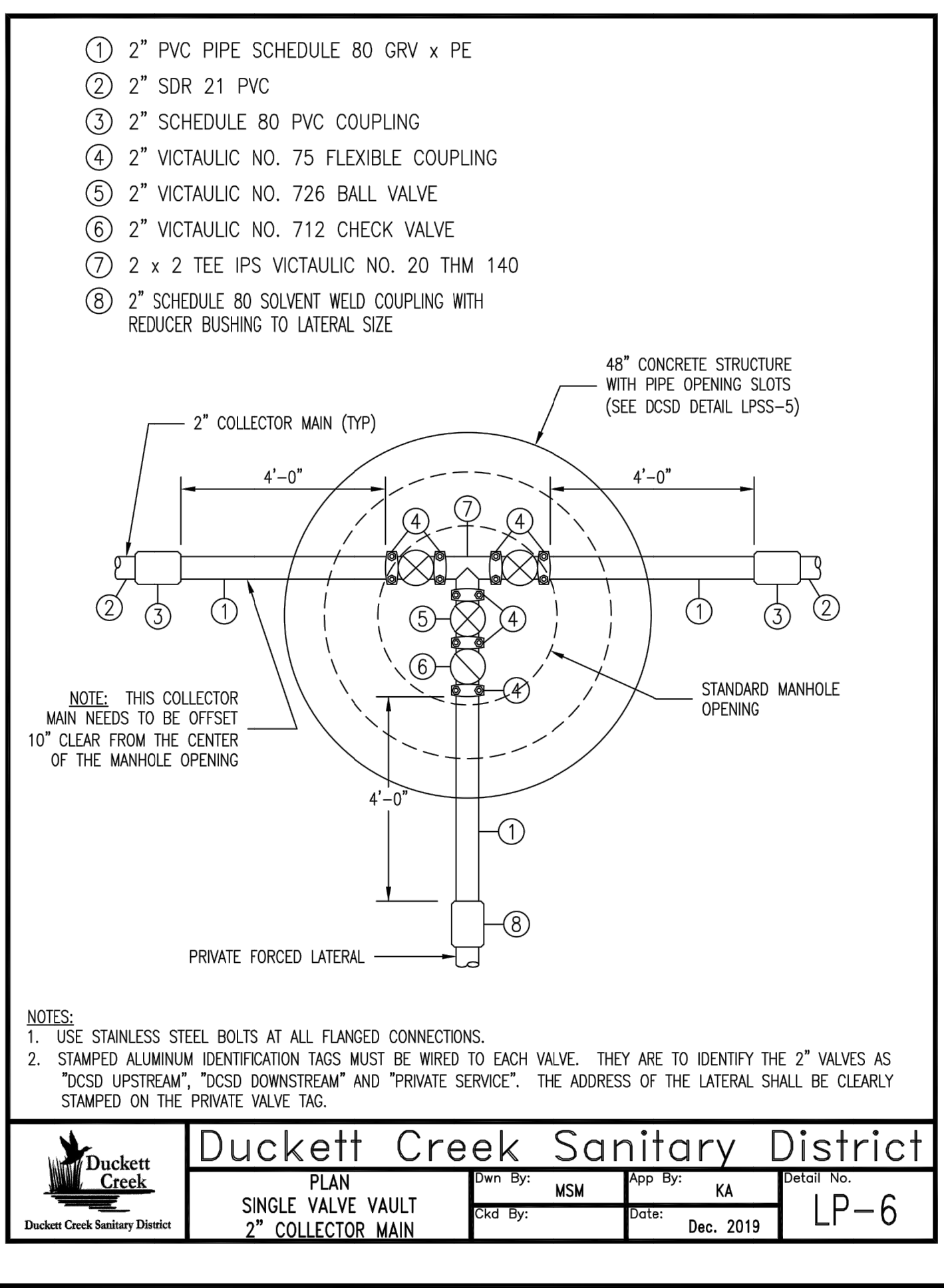
Duckett Creek Sanitary District	Duckett Creek Sanitary District	Duckett Creek Sanitary District	Duckett Creek Sanitary District
THRUST BLOCK DETAIL AND SIZE SCHEDULE	THRUST BLOCK DETAIL AND SIZE SCHEDULE	THRUST BLOCK DETAIL AND SIZE SCHEDULE	THRUST BLOCK DETAIL AND SIZE SCHEDULE
Own By: MSM	Own By: MSM	Own By: MSM	Own By: MSM
App By: KLA	App By: KLA	App By: KLA	App By: KLA
Detail No. LP-2	Detail No. LP-2	Detail No. LP-2	Detail No. LP-2
Clk By: []	Clk By: []	Clk By: []	Clk By: []
Date: Dec. 2019	Date: Dec. 2019	Date: Dec. 2019	Date: Dec. 2019



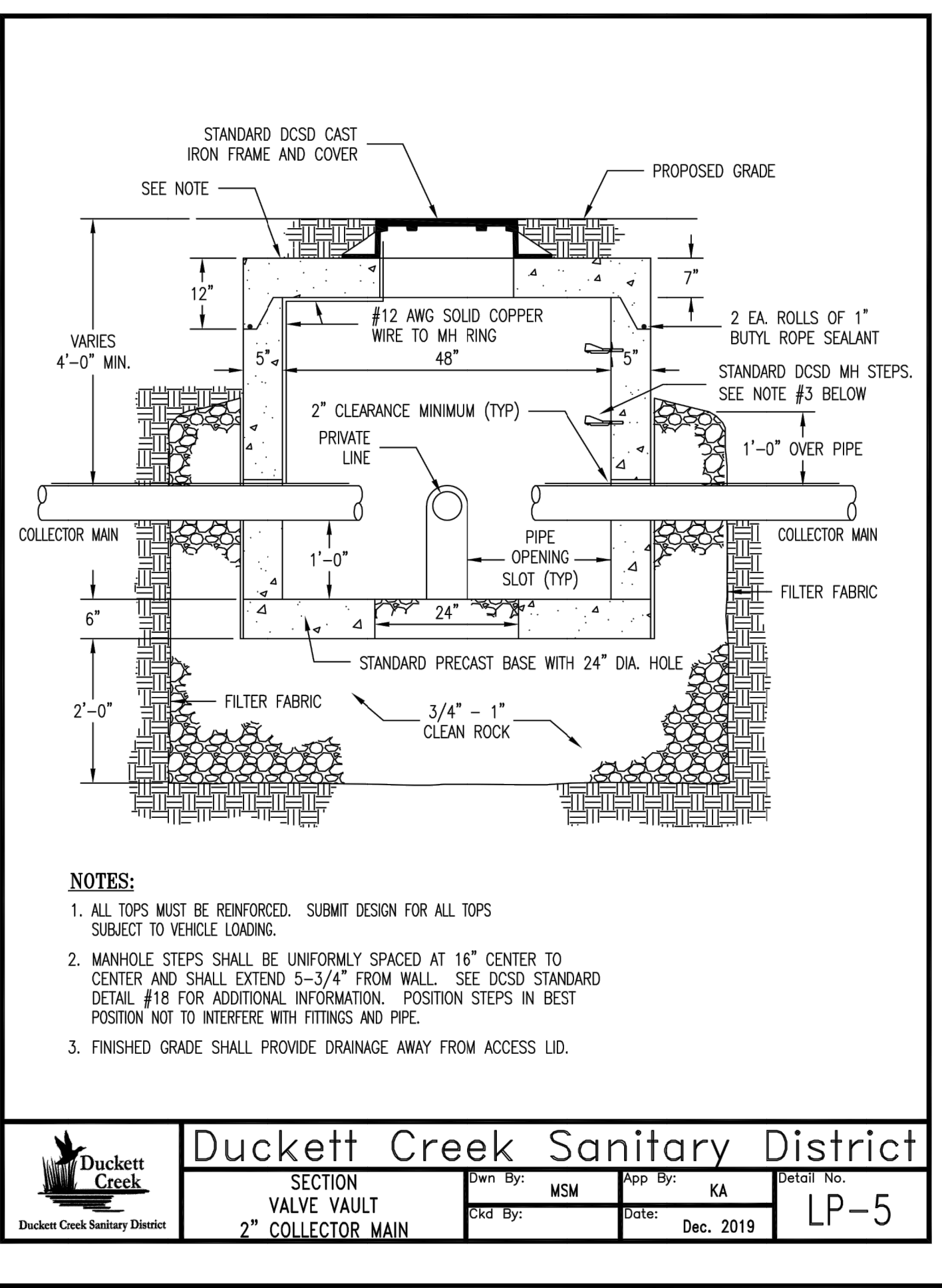
Duckett Creek Sanitary District	Duckett Creek Sanitary District	Duckett Creek Sanitary District	Duckett Creek Sanitary District
COLLECTOR MAIN BEDDING AND INSTALLATION	COLLECTOR MAIN BEDDING AND INSTALLATION	COLLECTOR MAIN BEDDING AND INSTALLATION	COLLECTOR MAIN BEDDING AND INSTALLATION
Own By: MSM	Own By: MSM	Own By: MSM	Own By: MSM
App By: KA	App By: KA	App By: KA	App By: KA
Detail No. LP-1	Detail No. LP-1	Detail No. LP-1	Detail No. LP-1
Clk By: []	Clk By: []	Clk By: []	Clk By: []
Date: Dec. 2019	Date: Dec. 2019	Date: Dec. 2019	Date: Dec. 2019



Duckett Creek Sanitary District	Duckett Creek Sanitary District	Duckett Creek Sanitary District	Duckett Creek Sanitary District
DUAL VALVE VAULT 2" COLLECTOR MAIN	DUAL VALVE VAULT 2" COLLECTOR MAIN	DUAL VALVE VAULT 2" COLLECTOR MAIN	DUAL VALVE VAULT 2" COLLECTOR MAIN
Own By: MSM	Own By: MSM	Own By: MSM	Own By: MSM
App By: KA	App By: KLA	App By: KA	App By: KLA
Detail No. LP-7	Detail No. LP-7	Detail No. LP-7	Detail No. LP-7
Clk By: []	Clk By: []	Clk By: []	Clk By: []
Date: Dec. 2019	Date: Dec. 2019	Date: Dec. 2019	Date: Dec. 2019



Duckett Creek Sanitary District	Duckett Creek Sanitary District	Duckett Creek Sanitary District	Duckett Creek Sanitary District
SINGLE VALVE VAULT 2" COLLECTOR MAIN	SINGLE VALVE VAULT 2" COLLECTOR MAIN	SINGLE VALVE VAULT 2" COLLECTOR MAIN	SINGLE VALVE VAULT 2" COLLECTOR MAIN
Own By: MSM	Own By: MSM	Own By: MSM	Own By: MSM
App By: KA	App By: KLA	App By: KA	App By: KLA
Detail No. LP-6	Detail No. LP-6	Detail No. LP-6	Detail No. LP-6
Clk By: []	Clk By: []	Clk By: []	Clk By: []
Date: Dec. 2019	Date: Dec. 2019	Date: Dec. 2019	Date: Dec. 2019



Duckett Creek Sanitary District	Duckett Creek Sanitary District	Duckett Creek Sanitary District	Duckett Creek Sanitary District
SECTION VALVE VAULT 2" COLLECTOR MAIN	SECTION VALVE VAULT 2" COLLECTOR MAIN	SECTION VALVE VAULT 2" COLLECTOR MAIN	SECTION VALVE VAULT 2" COLLECTOR MAIN
Own By: MSM	Own By: MSM	Own By: MSM	Own By: MSM
App By: KA	App By: KA	App By: KA	App By: KA
Detail No. LP-5	Detail No. LP-5	Detail No. LP-5	Detail No. LP-5
Clk By: []	Clk By: []	Clk By: []	Clk By: []
Date: Dec. 2019	Date: Dec. 2019	Date: Dec. 2019	Date: Dec. 2019

Drawing name: V11404136 Detail: CT Howell File: Drawings\Improvements\136IMP.dwg Printed on: Aug 27, 2021 - 12:39pm Plotted by: jhowell