

ISSUE	REMARKS/DATE
1	INITIAL SUBMITTAL
2	9-23-20 Rev Duck Creek Cmmnt
3	20201001 Rev per City/Duckett/PWSD#2
4	20201014 Rev per Duckett
5	20201020 Rev per City Comments
6	20201102 Rev per DCSD Comments
7	20201106 Rev per City Comments

PROJECT TITLE

AMBERLEIGH
OF FALLON, MISSOURI

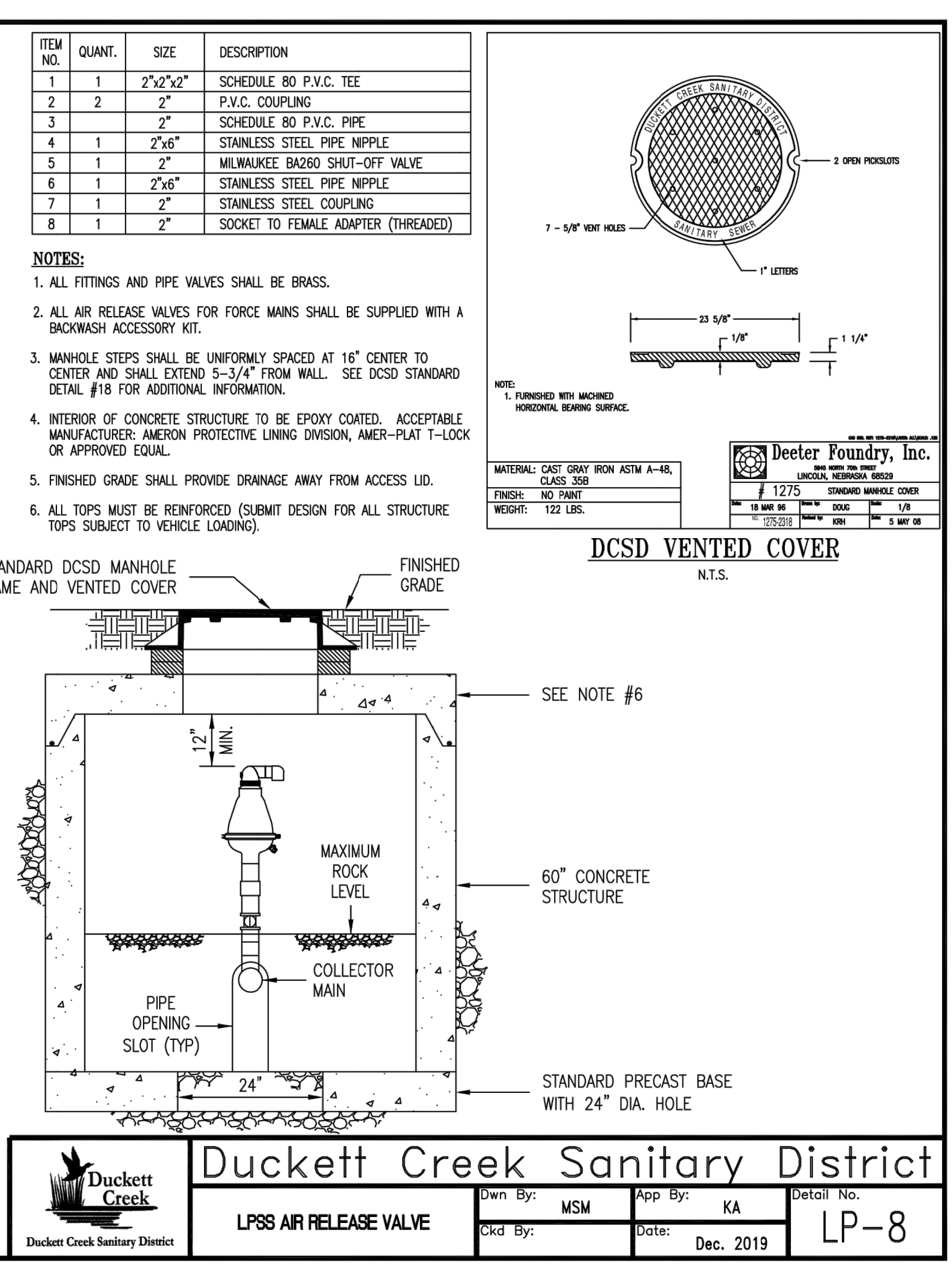
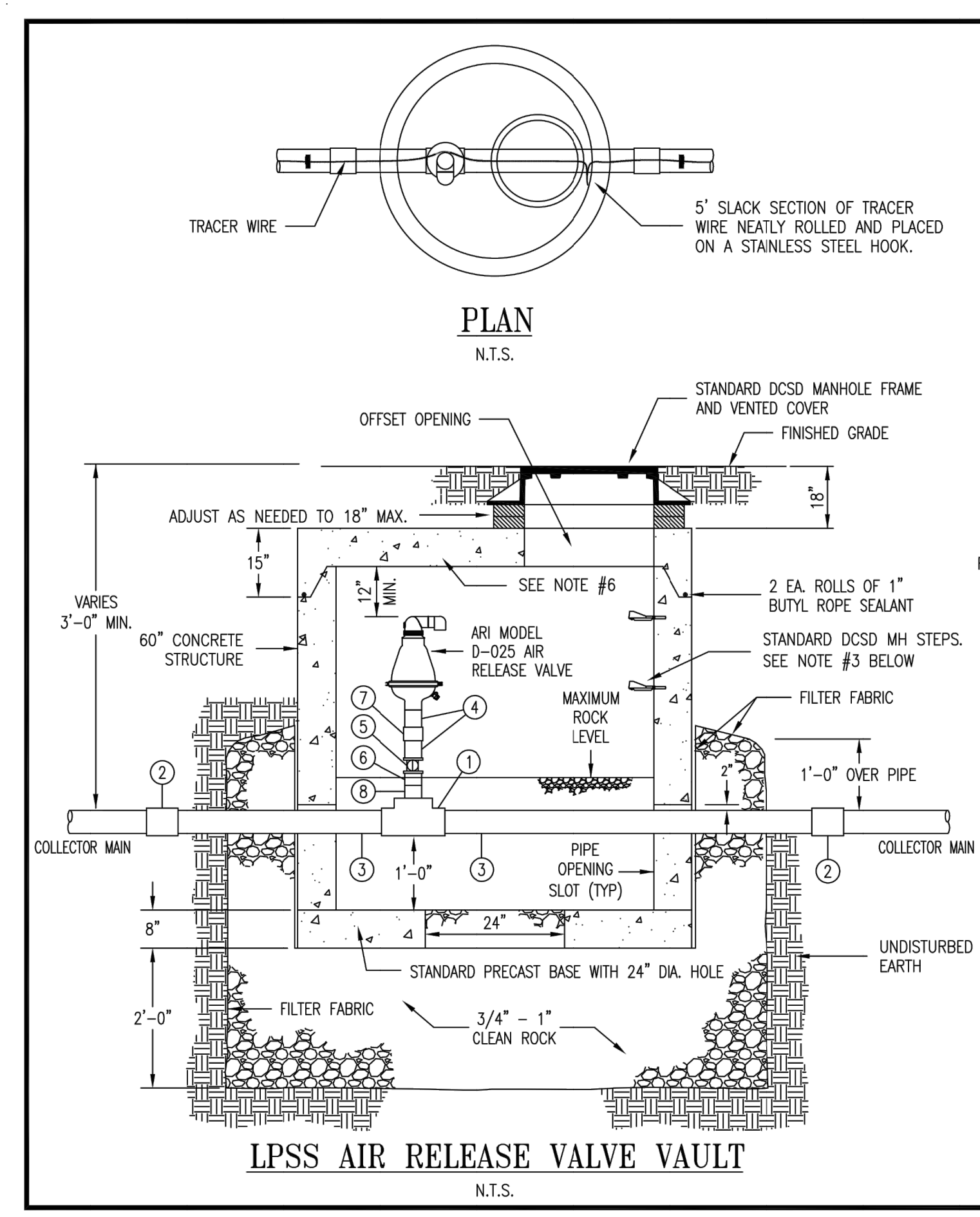
THE STERLING CO.
ENGINEERS & SURVEYORS
5055 New Baumgartner Road
St. Louis, Missouri 63129
Ph 314-487-0440 Fax 314-487-8944
www.sterling-eng-sur.com
Corporate Certificate of Authority #001348

Date: 5-18-2021
Jason D Howell
License No. PE 2007002801
Professional Engineer

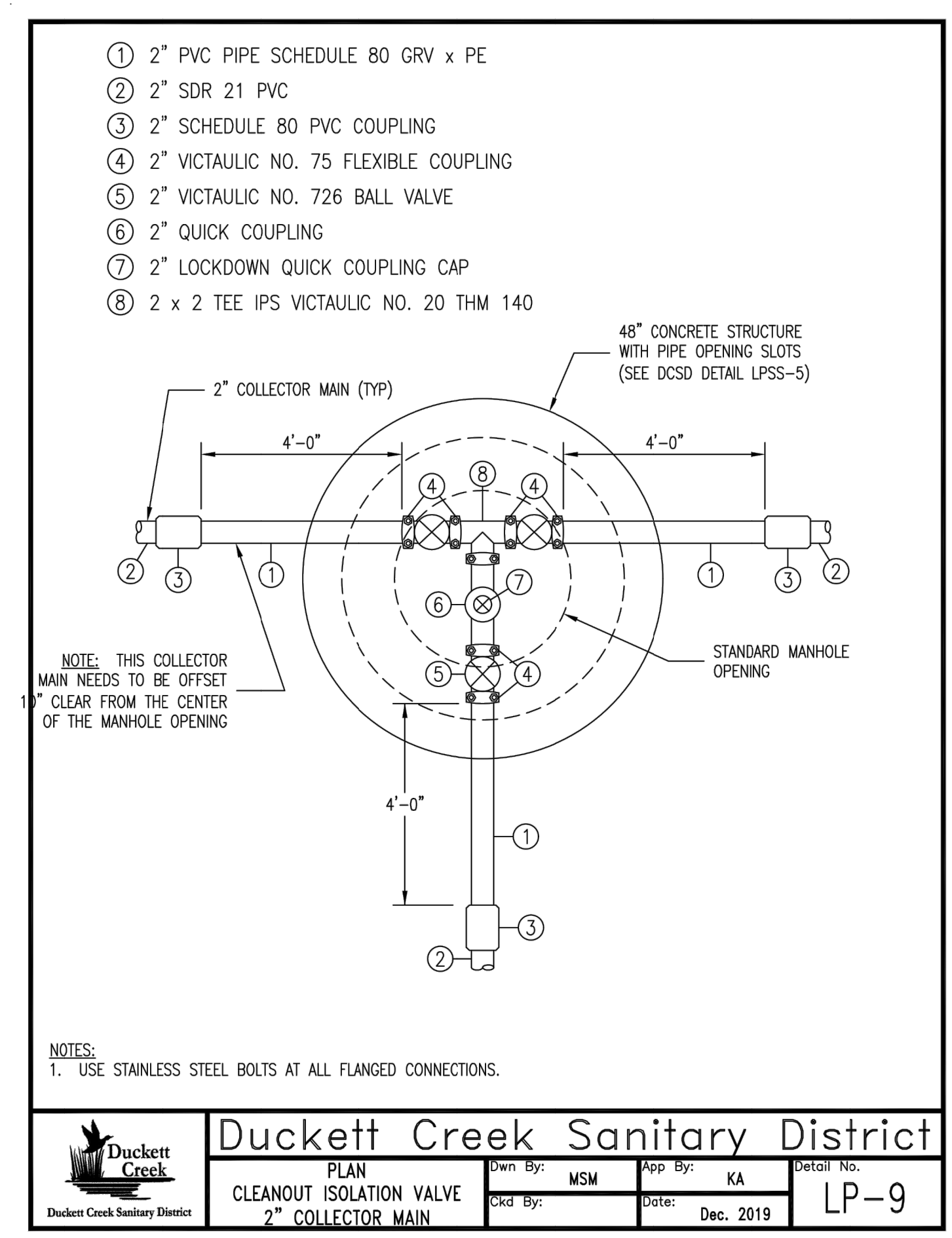
LOMBARDO HOMES OF ST. LOUIS, LLC
2299 TECHNOLOGY DRIVE, SUITE 150
OF FALLON, MISSOURI 63368
Ph. 636-265-2710
Fax 636-695-3195

DUCKETT CREEK SANITARY SEWER DETAILS

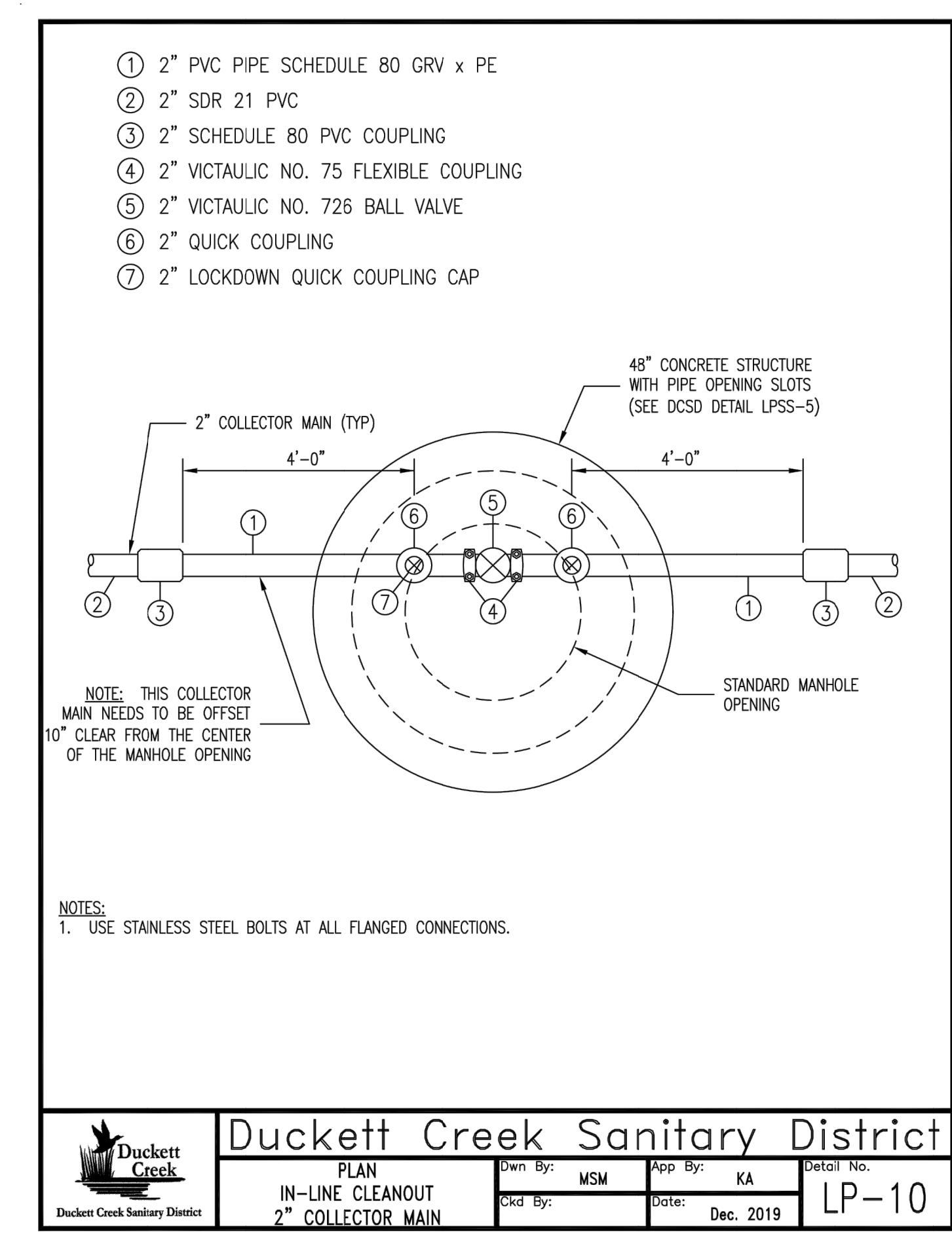
P+Z No. 20-000028
City No. 20-003192
Date: May 18, 2021
Job No. 14-04-136
Page No. **7.15**



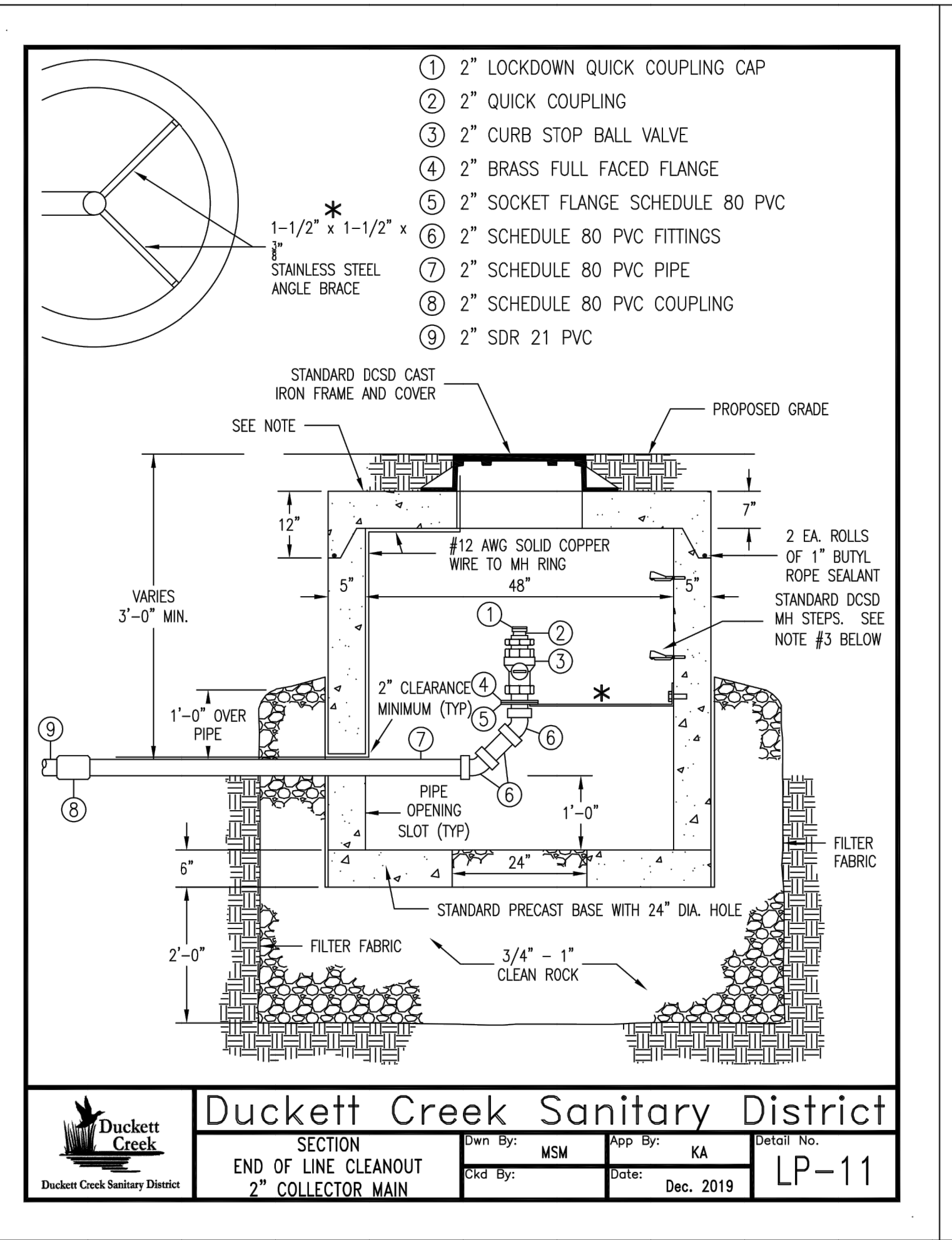
Duckett Creek Sanitary District
LPSS AIR RELEASE VALVE
Dwn By: MSM App By: KA Detail No. LP-8
Ckd By: Date: Dec. 2019



Duckett Creek Sanitary District
CLEANOUT ISOLATION VALVE
2" COLLECTOR MAIN
Dwn By: MSM App By: KA Detail No. LP-9
Ckd By: Date: Dec. 2019



Duckett Creek Sanitary District
IN-LINE CLEANOUT
2" COLLECTOR MAIN
Dwn By: MSM App By: KA Detail No. LP-10
Ckd By: Date: Dec. 2019



Duckett Creek Sanitary District
END OF LINE CLEANOUT
2" COLLECTOR MAIN
Dwn By: MSM App By: KA Detail No. LP-11
Ckd By: Date: Dec. 2019

E/ONE EXTREME

DH071/DR071

General Features
The model DH071 or DR071 grinder pump station is a complete unit that includes: the grinder pump, check valve, HDPE (high density polyethylene) tank, controls, and alarm panel. A single DH071 or DR071 is a popular choice for one, average single-family home and can also be used for up to two average single-family homes where codes allow and with consent of the factory.

- Rated for flows of 700 gpd (2650 lpd)
- 70 gallons (265 liters) of capacity
- Indoor or outdoor installation
- Standard outdoor heights range from 61 inches to 160 inches

The DH071 is the "hardwired" or "wired," model where a cable connects the motor controls to the level controls through watertight penetrations.

The DR071 is the "radio frequency identification" (RFID), or "wireless," model that uses wireless technology to communicate between the level controls and the motor controls.

Operational Information
Motor:
1 hp, 1,725 rpm, high torque, capacitor start, thermally protected, 120/240V, 60 Hz, 1 phase

Inlet Connections
4-inch inlet grommet standard for DWV pipe. Other inlet configurations available from the factory.

Discharge Connections
Pump discharge terminates in 1.25-inch NPT female thread. Can easily be adapted to 1.25-inch PVC pipe or any other material required by local codes.

Discharge:
15 gpm at 0 psig (0.95 lps at 0 m)
11 gpm at 40 psig (0.69 lps at 28 m)
7.8 gpm at 80 psig (0.49 lps at 56 m)

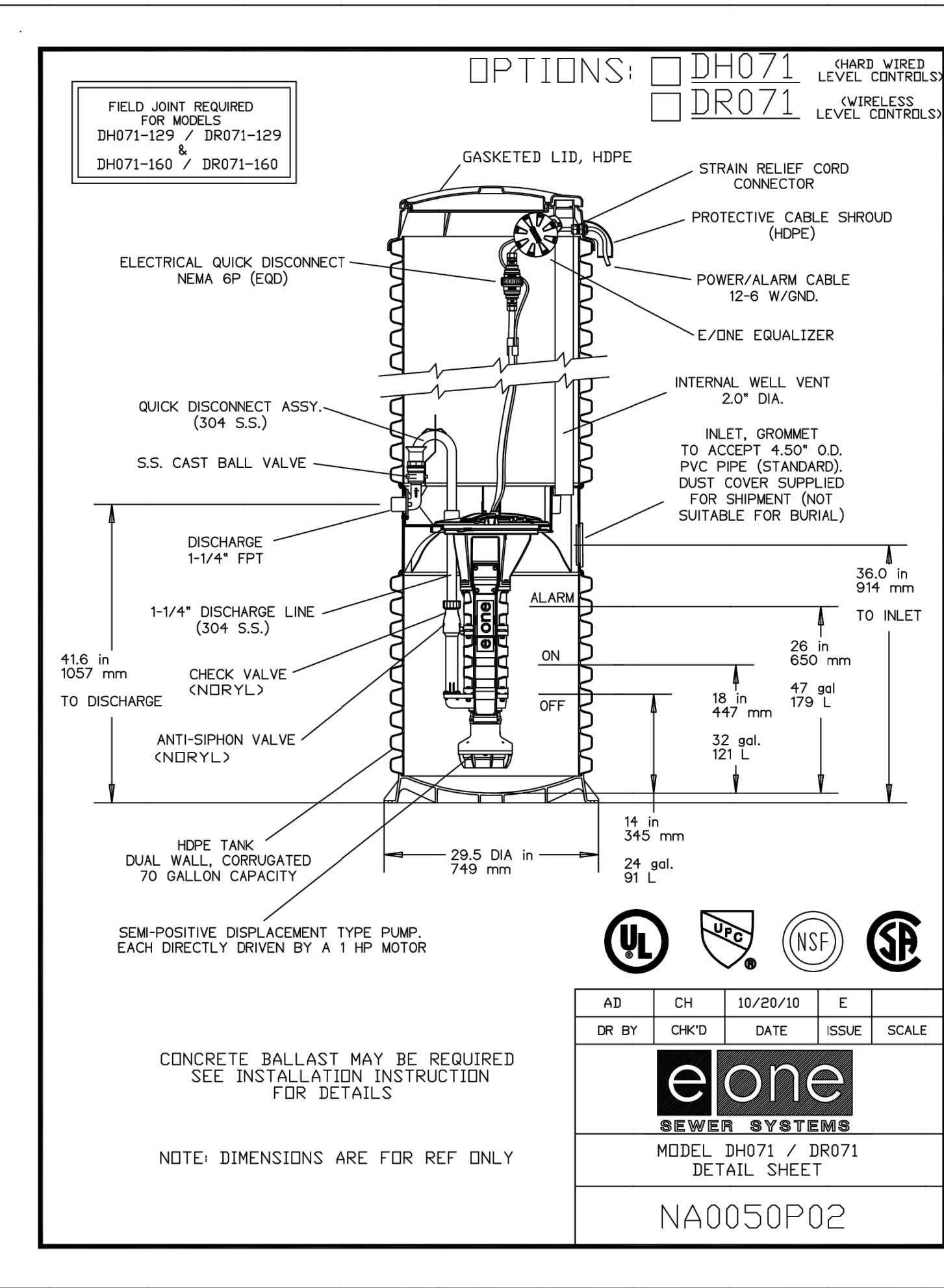
Accessories
E/One requires that the Uni-Lateral, E/One's own stainless steel check valve, be installed between the grinder pump station and the street main for added protection against backflow.

Alarm panels are available with a variety of options, from basic monitoring to advanced notice of service requirements.

The Remote Sentry is ideal for installations where the alarm panel may be hidden from view.

Field Numbers: 5,752,215
6,882,254 6,452,190

NA0050P01 Rev C



Drawing name: V:\1404136\DWG\DWG\LPSS Air Release Valve\LPSS Air Release Valve.dwg, Printed on: Aug 27, 2021 - 12:38pm, Plotted by: jhowell