

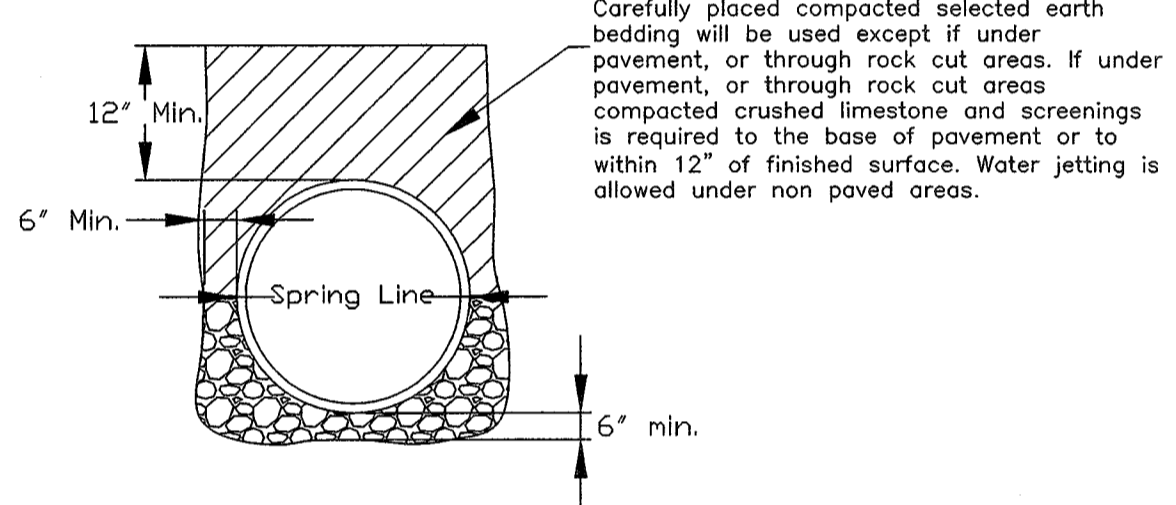
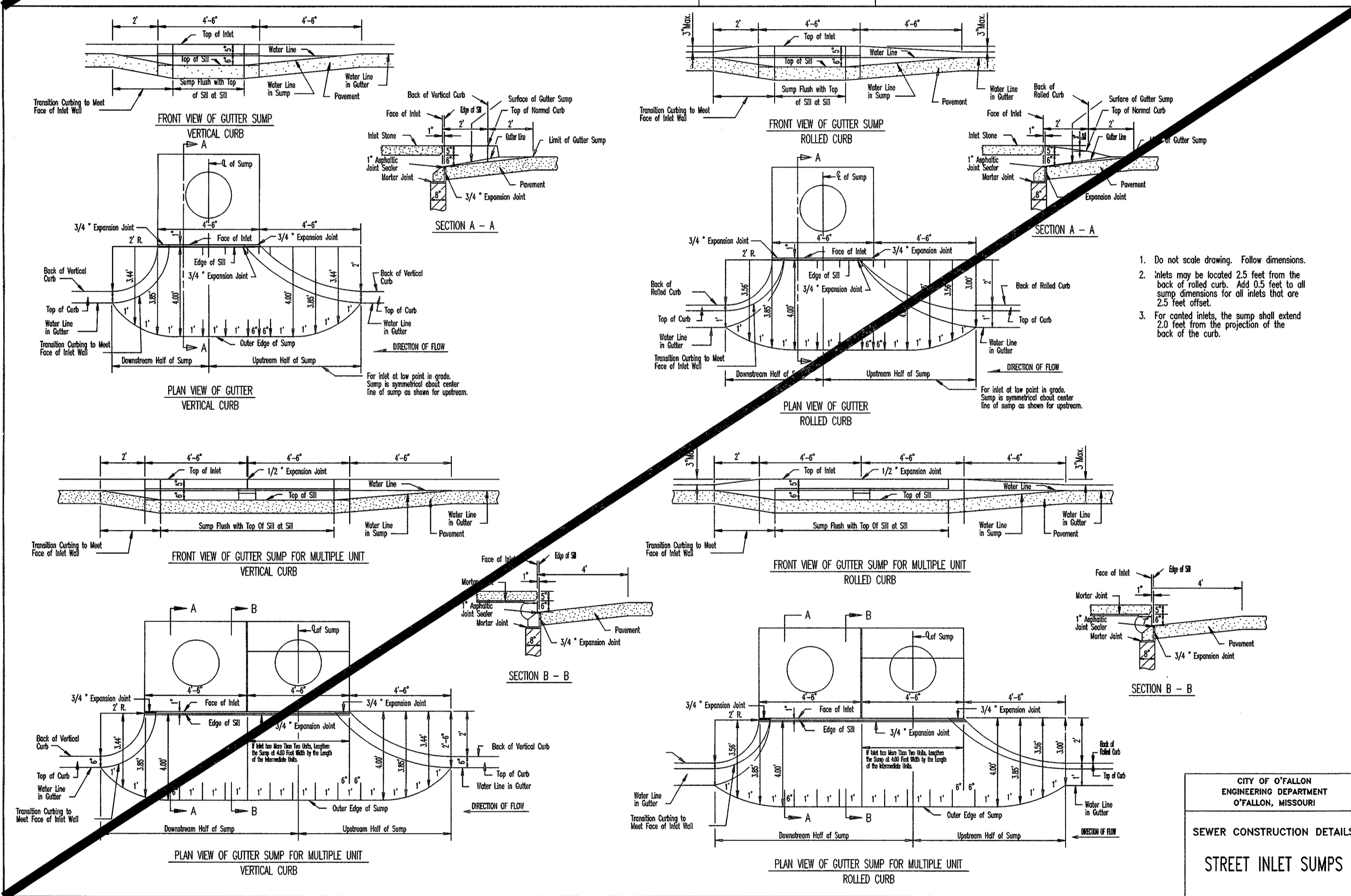
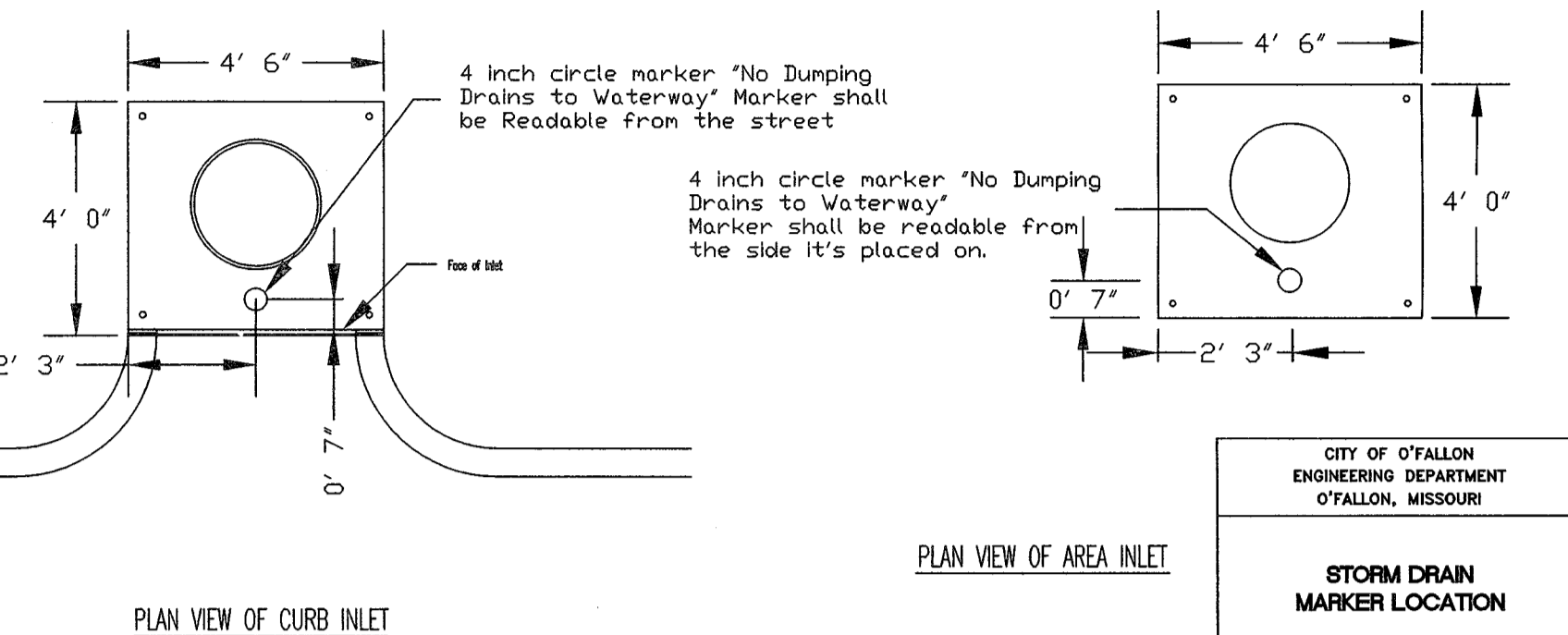
MSD Type 5 Rock Blanket (% By Weight Passing)

Sieve	Maximum	Minimum
12 Inch	90	70
6 inch	30	10
1/2 inch	5	0

* The discharge point of all flared end sections shall be protected by rip rap or other approved means.
 ** Rip rap shown at flared end sections will be evaluated in the field by the Engineer, Contractor, and City Inspectors after installation for effectiveness and field modified, if necessary to reduce erosion on and off site.

* The City of O'Fallon must be provided with a symbol/medallion for review and approval prior to installation. Contact the City if any information is needed.

Size	Style	Adhesive	Message (Part #)
3 7/8" TO 4"	Crystal Cap or Standard Style	Epoxy	No Dumping Drains to Waterway



* All other Storm or Sanitary Sewer Details will be by M.S.D. 2007 Standards and Specifications.

PROJECT TITLE:
 SCCAD BASE 18
 Bax Project #95-7632G

ENGINEERING SURVEYING
 221 Point West Blvd.
 St. Charles, MO 63301
 636-928-6662
 FAX 636-928-1718

REFERENCE DRAWINGS ONLY

REVISIONS

NO.	DATE	REVISION
8-15-17		CITY COMMENTS

Developer / Owner:
 ST. CHARLES COUNTY AMBULANCE DISTRICT
 4169 OLD MILL PARKWAY
 ST. PETERS, MISSOURI 63376

STORM DETAILS

P+Z No. #04-16.02.01
City No. #17-005139