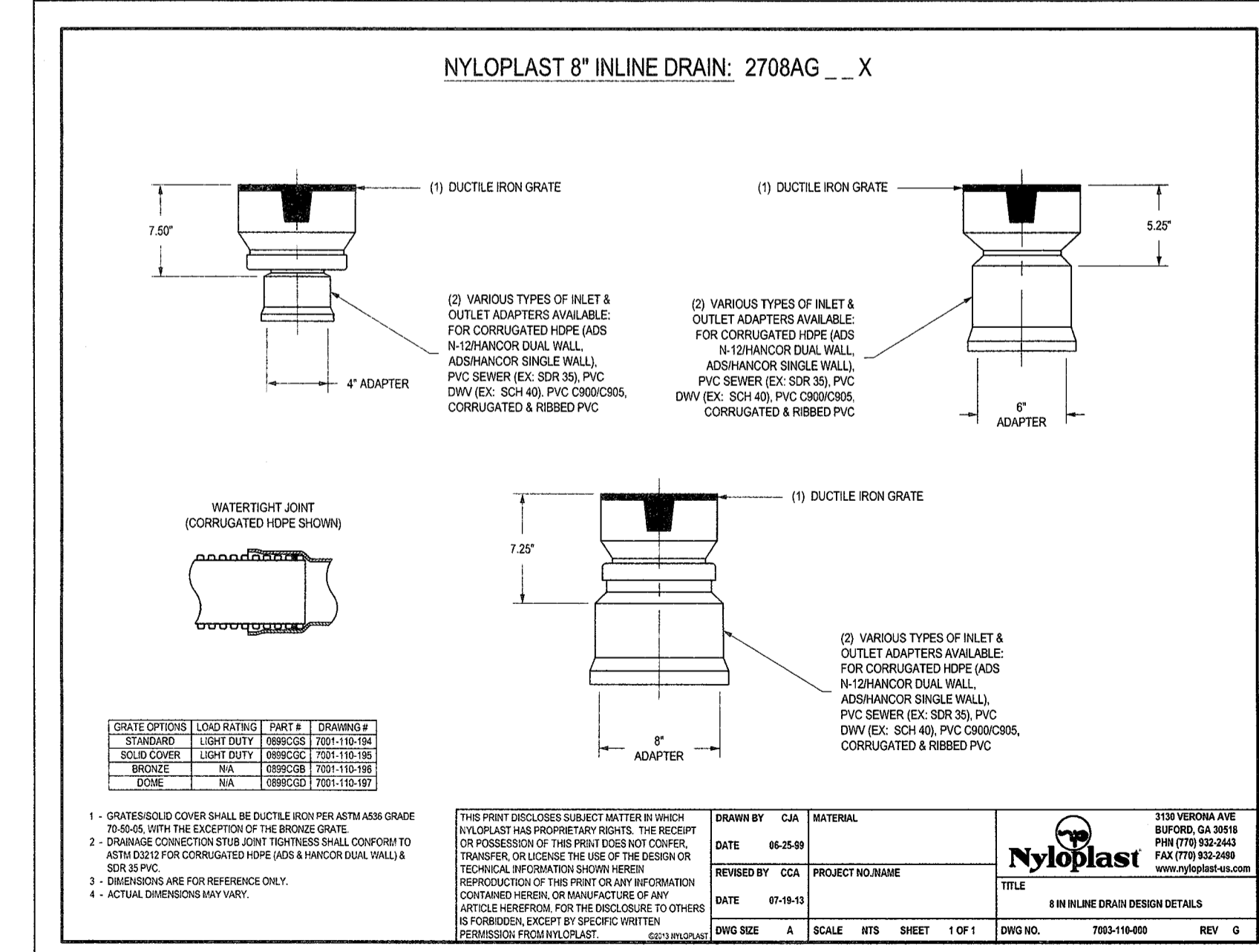
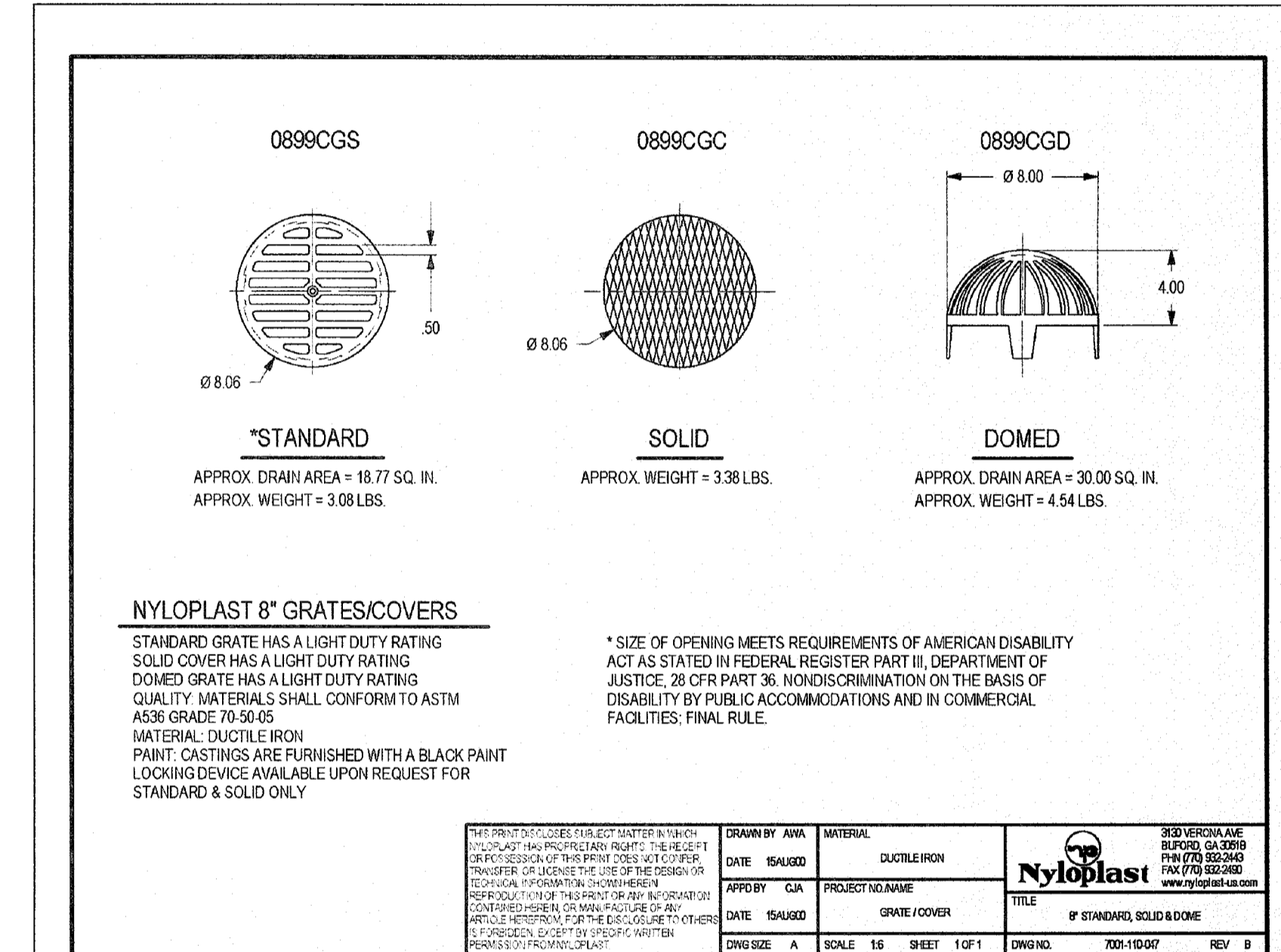
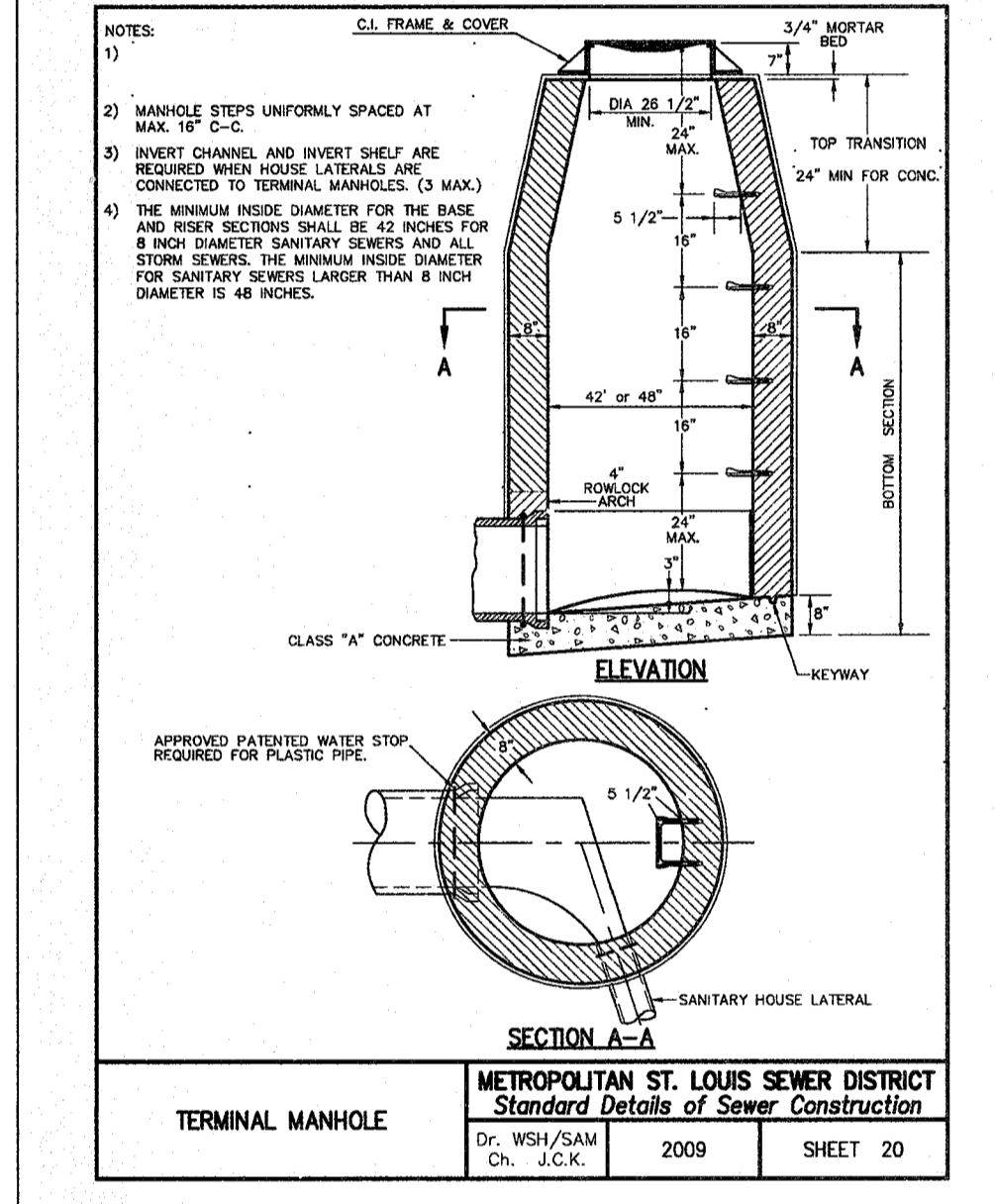
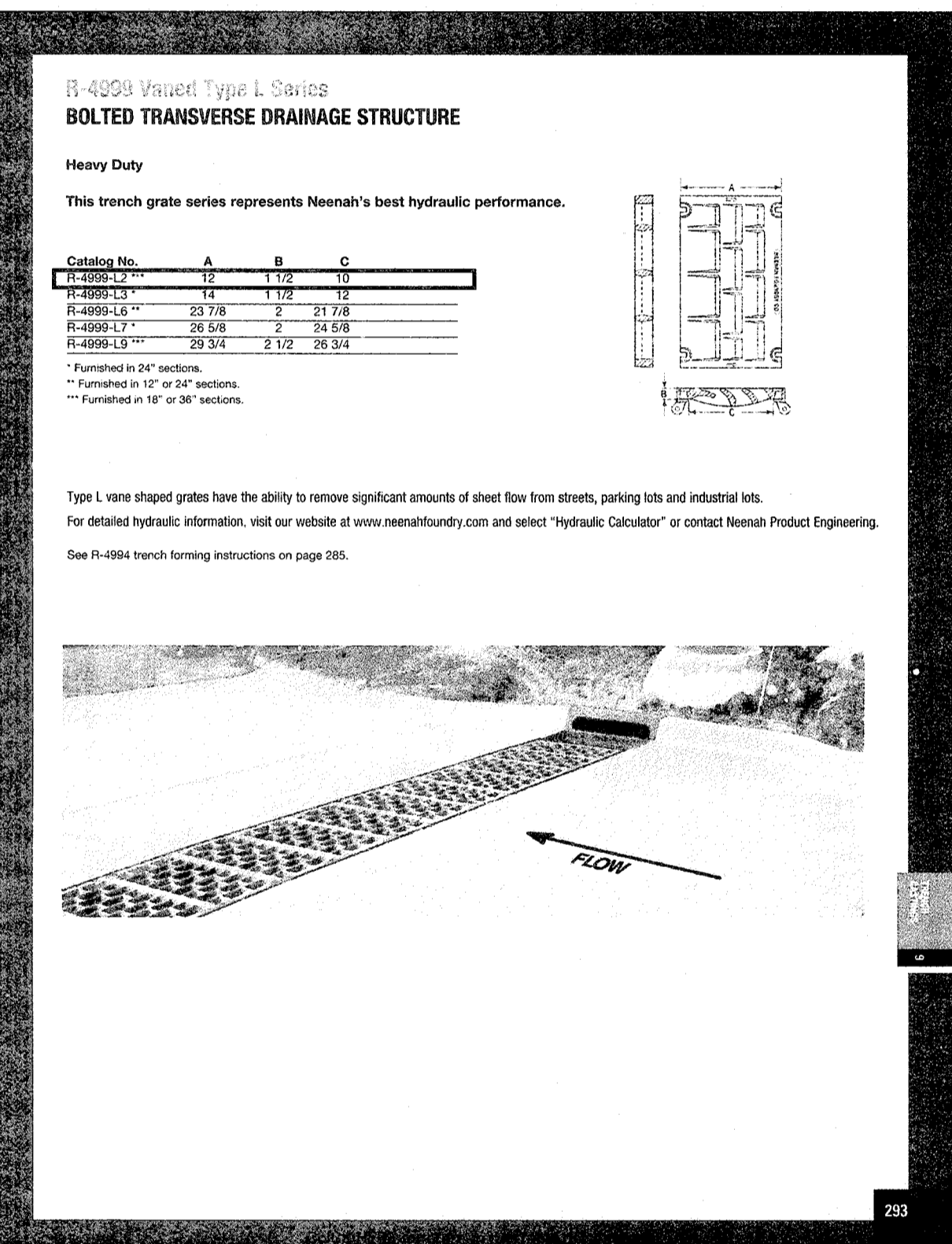
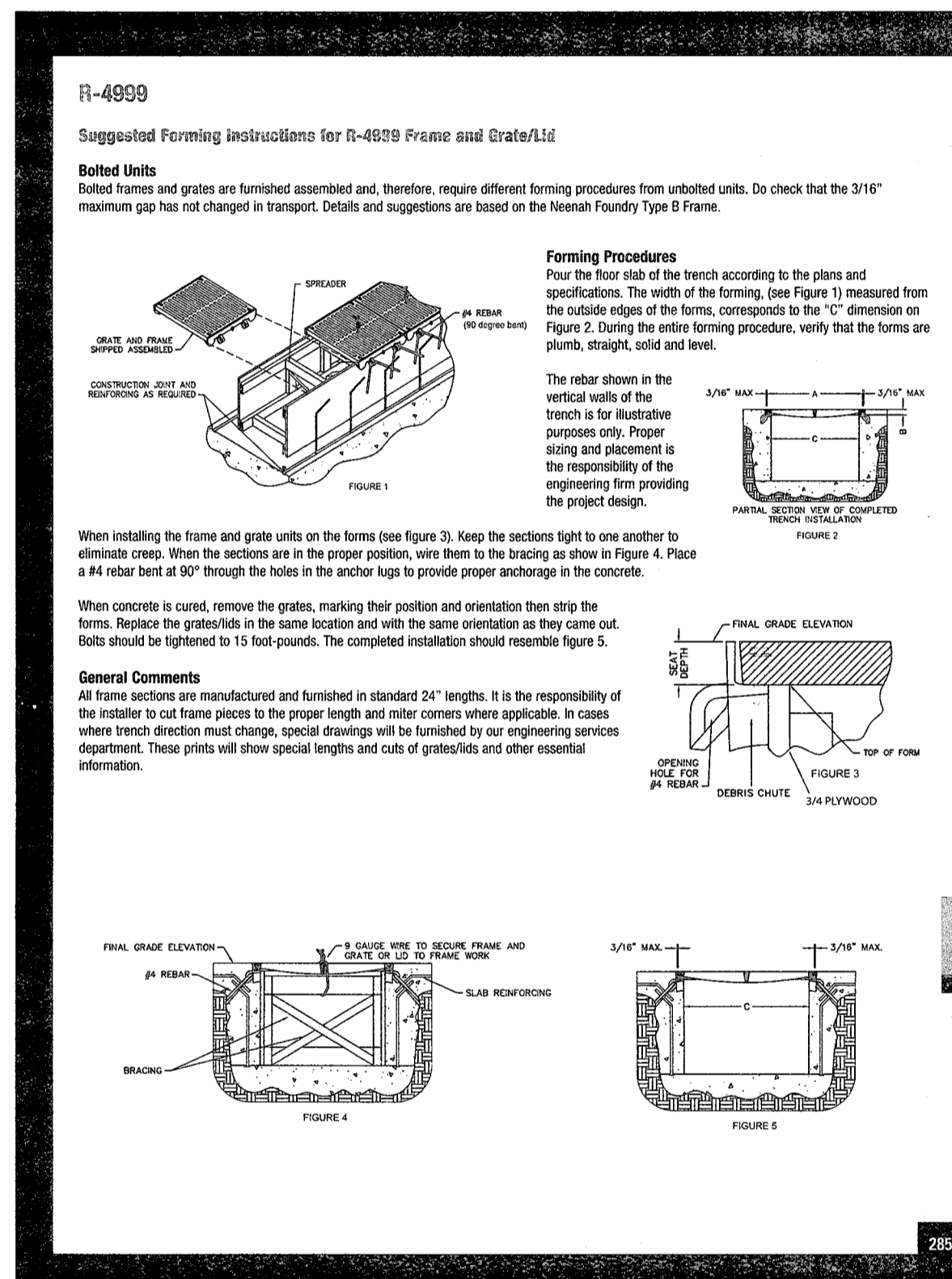
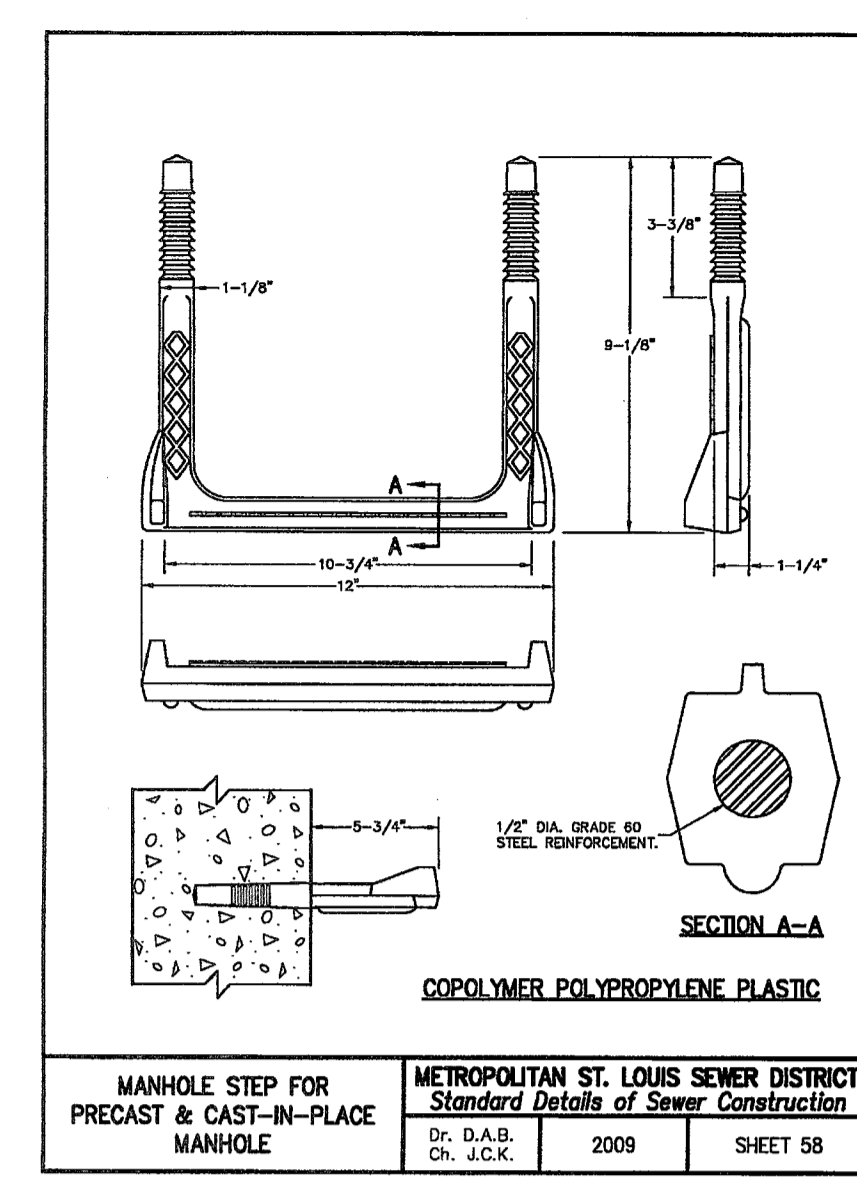
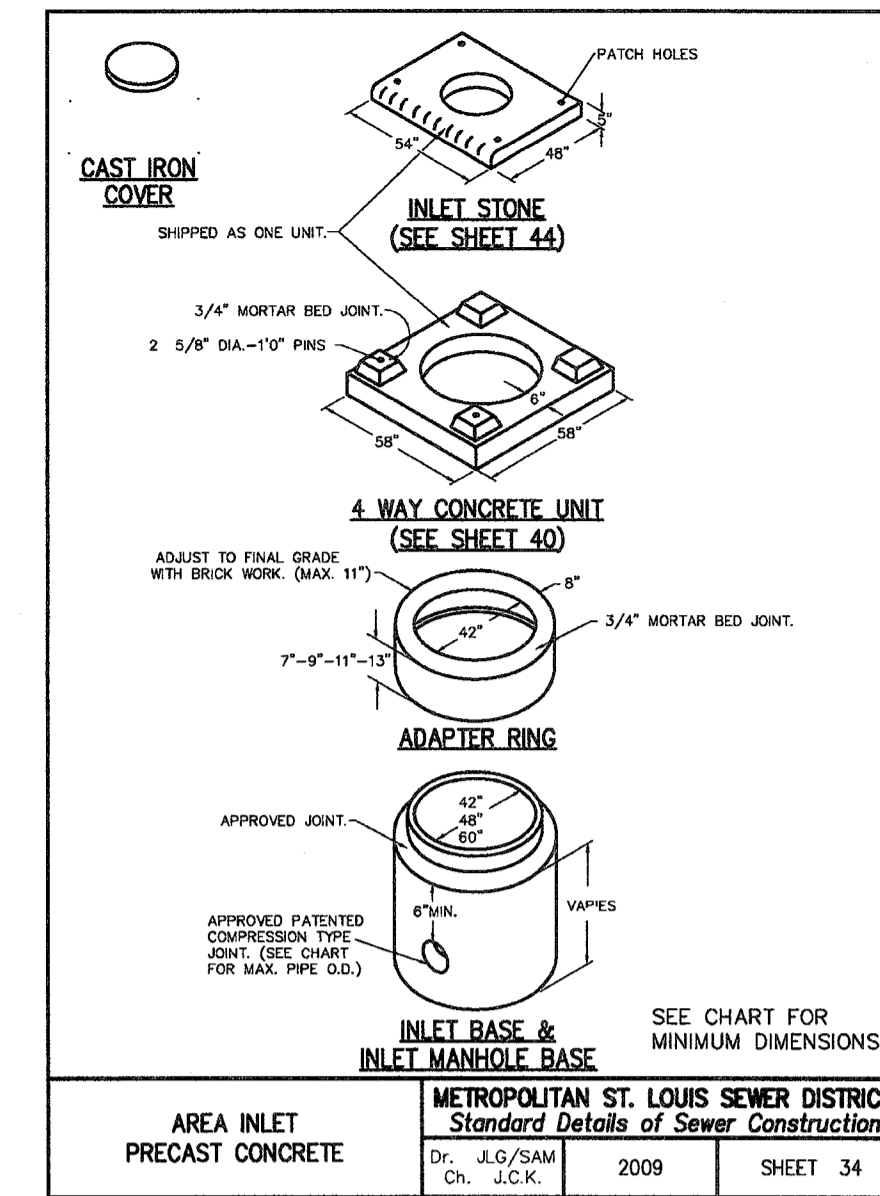
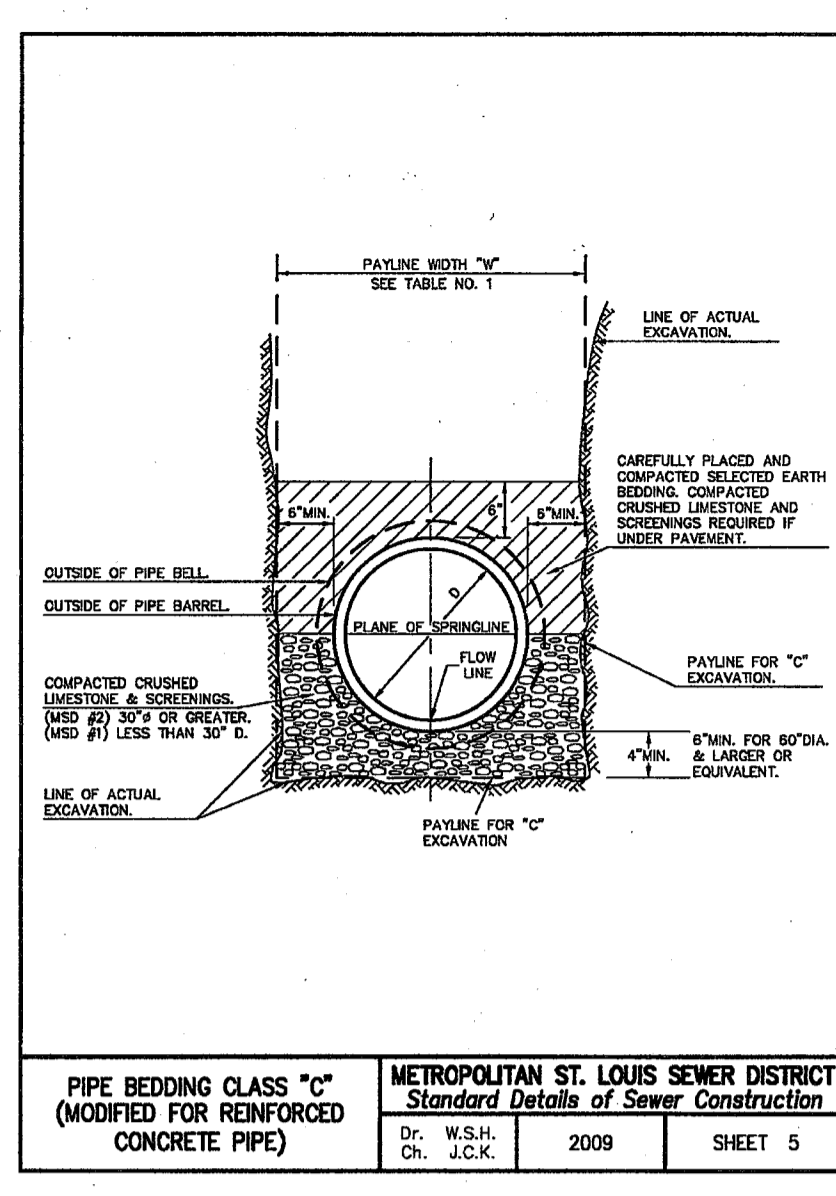
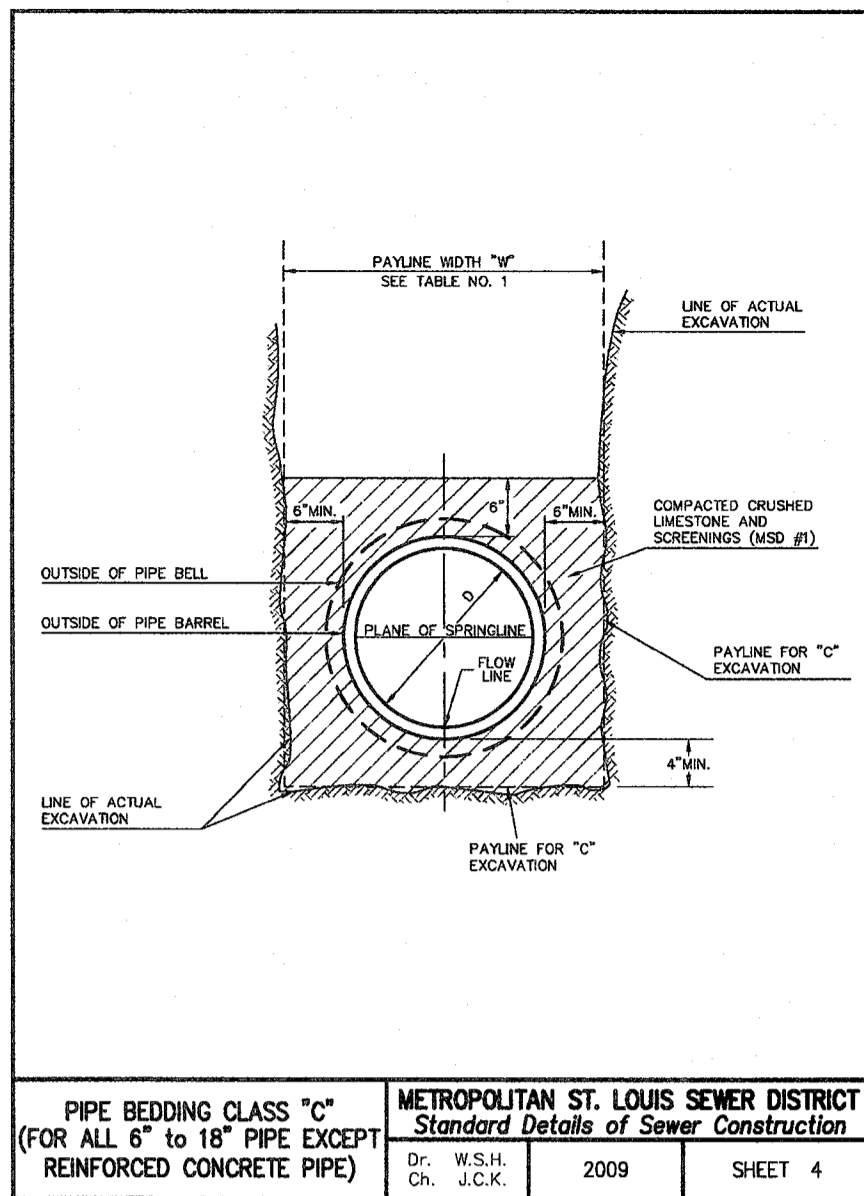


ROUND PIPE				HORIZONTAL ELLIPTICAL PIPE			
INSIDE DIAMETER OF PIPE (INCHES)	"W" PAYLINE WIDTH OF TRENCH (INCHES)	"W" PAYLINE WIDTH OF TRENCH (FEET)	CONCRETE ENCASMENT	INSIDE DIMENSIONS OF PIPE (INCHES)	"W" PAYLINE WIDTH OF TRENCH (INCHES)	"W" PAYLINE WIDTH OF TRENCH (FEET)	CONCRETE ENCASMENT
4	30	2.50	3.28				
6	30	2.50	3.59				
8	30	2.50	3.87				
10	30	2.50	4.09				
12	30	2.50	4.25				
15	36	3.00	5.55				
18	36	3.00	5.77	14 x 23	41	3.42	5.94
21	39	3.25	6.61				
24	42	3.50	7.39	18 x 30	49	4.00	7.68
27	45	3.75	8.18	22 x 34	53	4.42	8.61
30	48	4.08	9.30	24 x 38	58	4.83	9.70
33	51	4.42	10.53	27 x 42	62	5.17	10.71
36	54	4.87	11.43	29 x 45	66	5.50	11.72
39	57	5.25	12.50	32 x 49	71	5.92	13.14
42	63	5.25	13.38	34 x 53	75	6.25	14.05
48	70	5.83	15.67	38 x 60	83	6.82	16.18
54	77	6.42	18.15	43 x 68	92	7.67	18.81
60	84	7.00	20.73	48 x 76	101	8.42	21.59
66	91	7.58	23.45	53 x 83	109	9.09	24.25
72	98	8.17	26.37	58 x 91	118	9.83	27.45
78	105	8.75	29.39	63 x 98	126	10.50	30.50
84	112	9.33	32.57	68 x 106	135	11.25	33.91
90	119	9.92	35.90	73 x 113	143	11.92	36.99
96	126	10.50	39.37	77 x 121	152	12.67	40.69
102	133	11.08	42.99	82 x 128	160	13.33	44.45
108	140	11.67	46.75	87 x 136	168	14.00	47.79
114	147	12.25	50.66	92 x 143	176	14.67	51.70
120	154	12.83	54.72	97 x 151	185	15.42	56.01
126	161	13.42	58.92				
132	168	14.00	63.27	106 x 166	202	16.83	64.48
144	182	15.17	72.40	116 x 180	218	18.17	73.59

TABLE 1
PAYLINE WIDTHS OF TRENCH AND PAY-QUANTITIES OF CONCRETE

METROPOLITAN ST. LOUIS SEWER DISTRICT
Standard Details of Sewer Construction
Dr. B.E.R. Ch. J.C.K. 2009 SHEET 1



PROJECT TITLE:
SCCAD BASE 18

ENGINEERING
PLANNING
SURVEYING

221 Point View Blvd.
St. Charles, MO 63501
636-928-5562
FAX 928-1718

REFERENCE DRAWINGS ONLY

REVISIONS

8-15-17	CITY COMMENTS

Developer / Owner:
ST. CHARLES COUNTY AMBULANCE DISTRICT
4169 OLD MILL PARKWAY
ST. PETERS, MISSOURI 63376

ST. CHARLES COUNTY AMBULANCE DISTRICT
4169 OLD MILL PARKWAY
ST. PETERS, MISSOURI 63376

P+Z No. #04-16.02.01
City No. #17-005139
Page No. 14 of 20

SANITARY AND STORM DETAILS