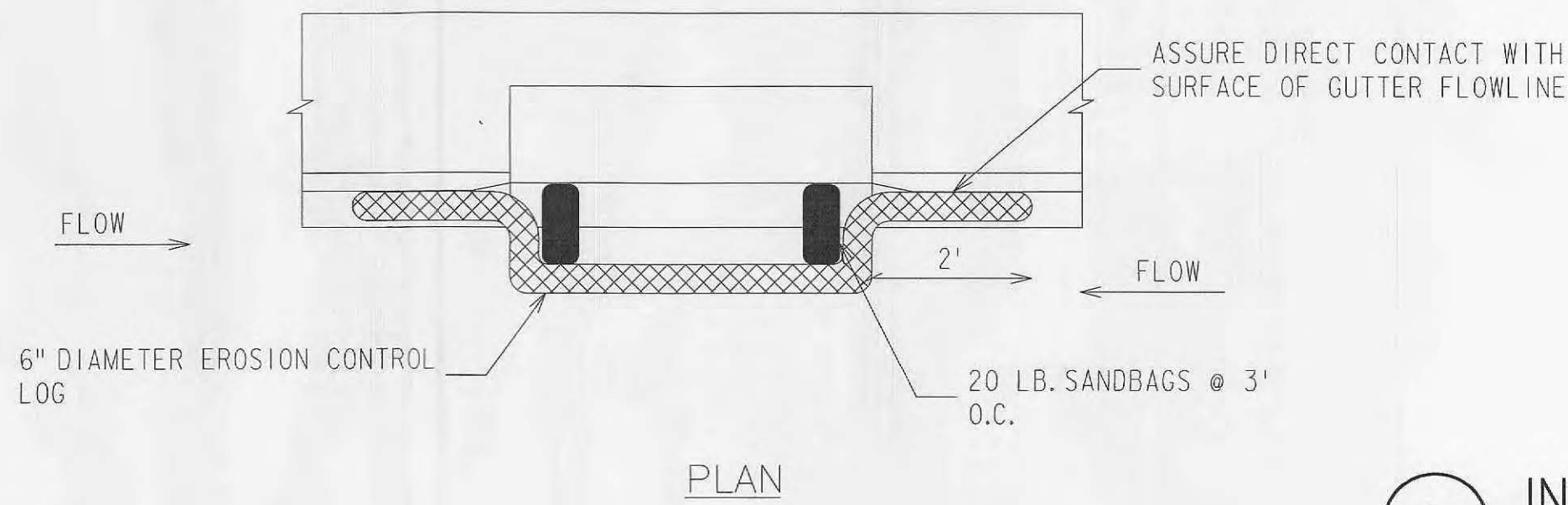
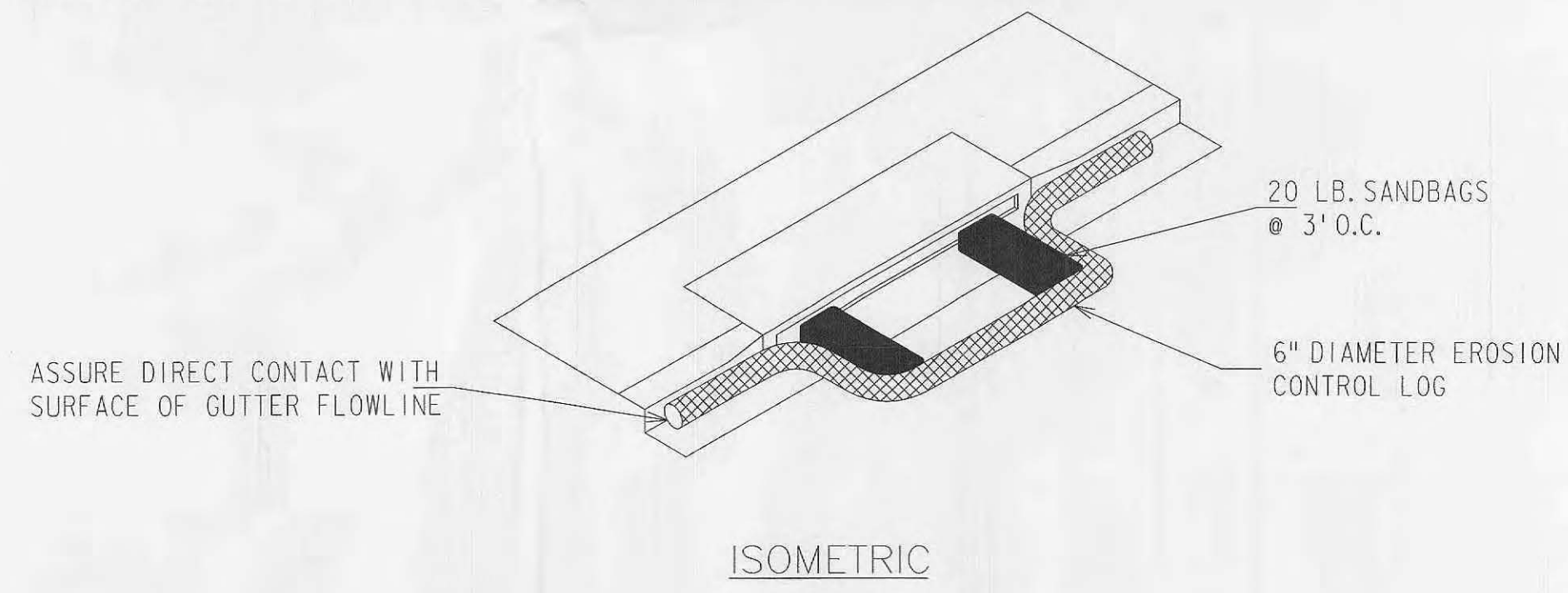
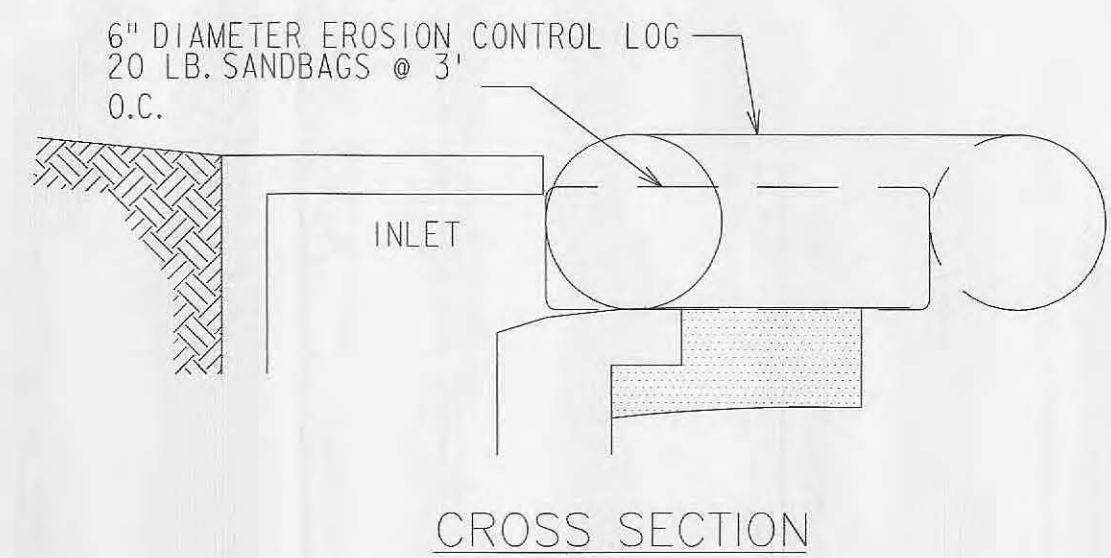


B NOT USED
NOT TO SCALE

C STORM PROFILE
NOT TO SCALE



D INLET PROTECTION SOCK
NOT TO SCALE



A NOT USED
NOT TO SCALE

REV	PROJ ID	DATE	DRWN	RW	APPD	MISC. DETAILS																		
1	JS44148	12/09/13	MSK	DML	MSK	SONDEREN SUBSTATION																		
0	JS44148	08/13/13	MSK	DML	MSK																			
<table border="1"> <thead> <tr> <th>REV</th> <th>PROJ ID</th> <th>DATE</th> <th>DRWN</th> <th>RW</th> <th>APPD</th> </tr> </thead> <tbody> <tr> <td>1</td> <td>JS44148</td> <td>12/09/13</td> <td>MSK</td> <td>DML</td> <td>MSK</td> </tr> <tr> <td>0</td> <td>JS44148</td> <td>08/13/13</td> <td>MSK</td> <td>DML</td> <td>MSK</td> </tr> </tbody> </table>						REV	PROJ ID	DATE	DRWN	RW	APPD	1	JS44148	12/09/13	MSK	DML	MSK	0	JS44148	08/13/13	MSK	DML	MSK	<p>641301</p> <p>1</p>
REV	PROJ ID	DATE	DRWN	RW	APPD																			
1	JS44148	12/09/13	MSK	DML	MSK																			
0	JS44148	08/13/13	MSK	DML	MSK																			

