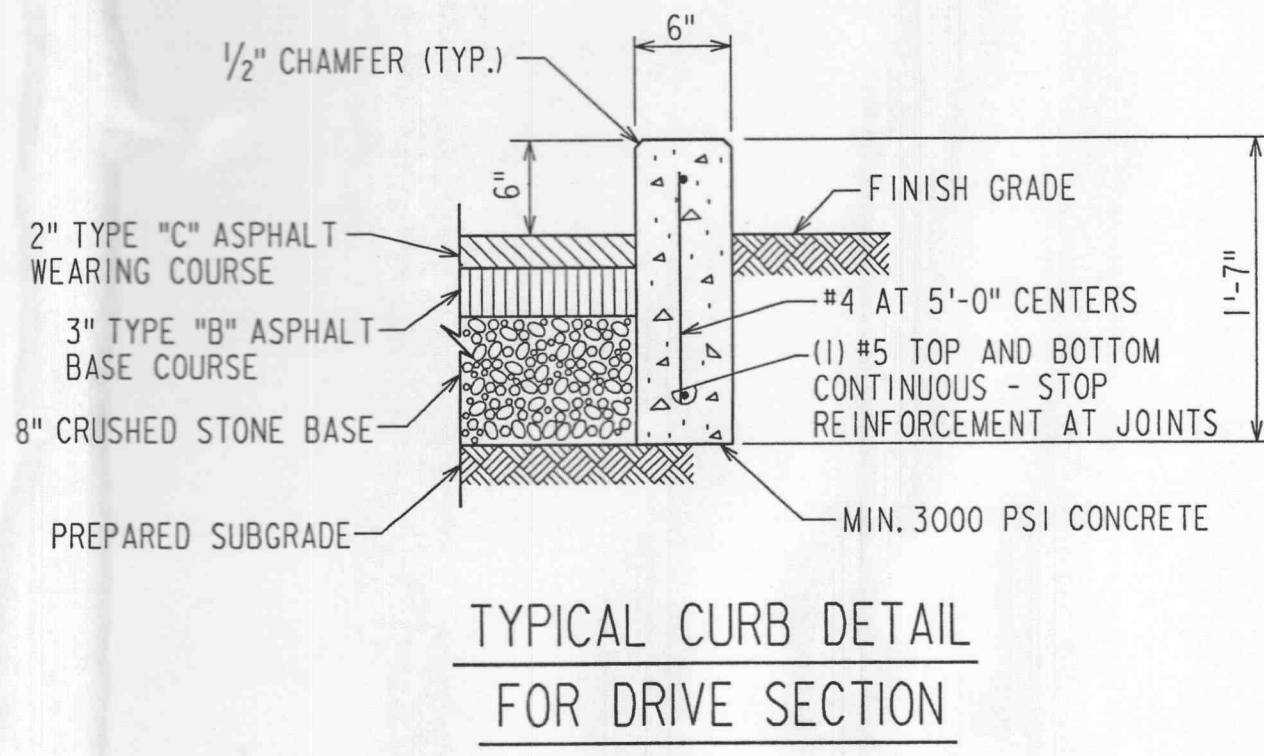
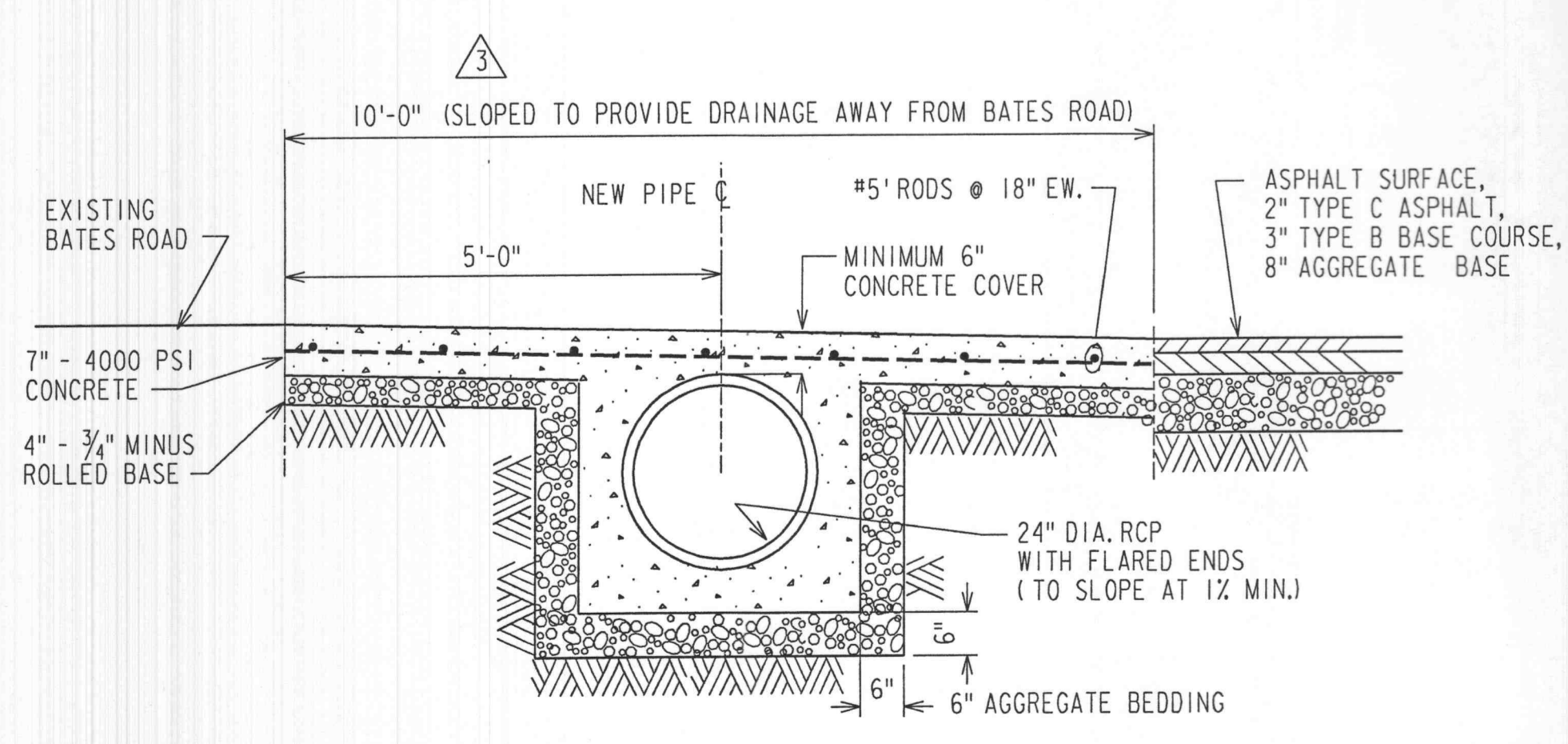
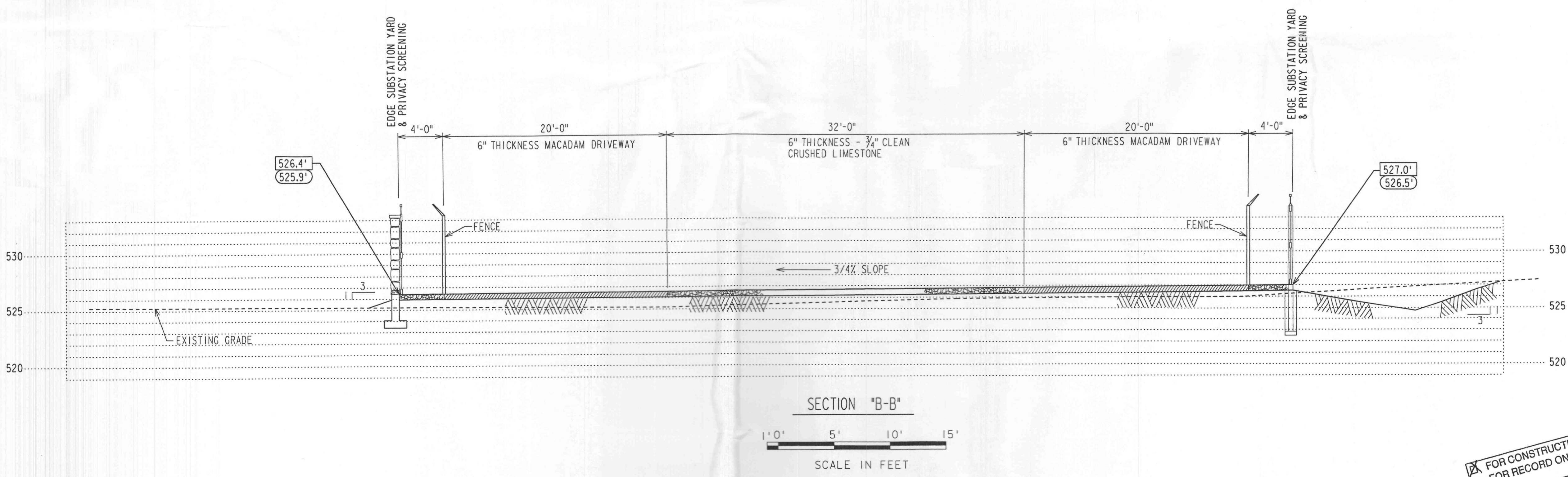
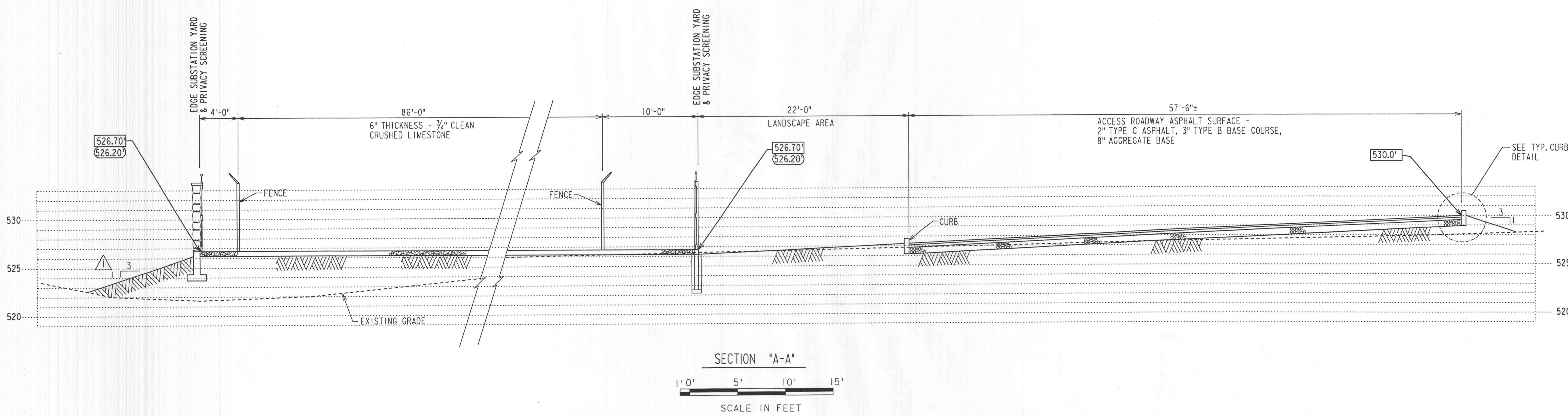


PRINT DIST.	9443-Y-149194	3
REVISIONS		
REV. 0	W.O. 10969	
FIRST ISSUE		
REV. 1	DATE 06/600	DRAWN MSM
CHKD NOT	SUPV SAH	APPD
W.O. 10969		FILM
REVISE SLOPE FROM 2:1 TO 3:1		
REV. 2	DATE 07/700	DRAWN MSM
CHKD NOT	SUPV SAH	APPD
W.O. 10969		FILM
REVISE SECTION 'C-C'		
REV. 3	DATE 07/200	DRAWN MSM
CHKD NOT	SUPV SAH	APPD
W.O. 10969		FILM
REVISE SECTION 'C-C' TO ADD SLOPE		



FOR CONSTRUCTION
 FOR RECORD ONLY
 C. J. O. NO.

PROPERTY - GRADING, SURFACING & FENCE ----- 9433-Y-149193
 PROPERTY - GRADING, SURFACING & FENCE DETS. SH. 2 ----- 9433-Y-149194
 PROPERTY SITE PLAN ----- 9443-Y-149192

NOTICE OF LIMITED RESPONSIBILITY
 THE RESPONSIBILITY OF THE UNDERSIGNED ENGINEER IS LIMITED TO THE DESIGN WORK SHOWN ON PROJECT DRAWINGS AND DOCUMENTS BEARING HIS/HER SEAL, SIGNATURE OR INITIALS. HE/SHE DOES NOT HAVE AUTHORITY OVER THE PROJECT AS A WHOLE. THE UNDERSIGNED DISCLAIMS ANY RESPONSIBILITY FOR WORK DONE UNDER SUBSEQUENT REVISIONS AND ANY OTHER DOCUMENTS ASSOCIATED WITH THE PROJECT WHICH DO NOT BEAR HIS/HER SEAL, SIGNATURE OR INITIALS.

REV. SEALED BY	DRAWN 4-28-00 J. SHELTON	PROPERTY GRADING, SURFACING AND FENCE DETAILS SHEET 1
CHKD.	NOT CHKD.	
SUPV. SAH	APPD. C.J.G.	LOCATION 004726 CLASS 02010 WINGHAVEN SUBSTATION
		ST. LOUIS, MISSOURI 9443-Y-149194 REV. 3

00472602010

9443-Y-149194001

PREPARED FOR Ameron

37-13-118 Rev. 9-85