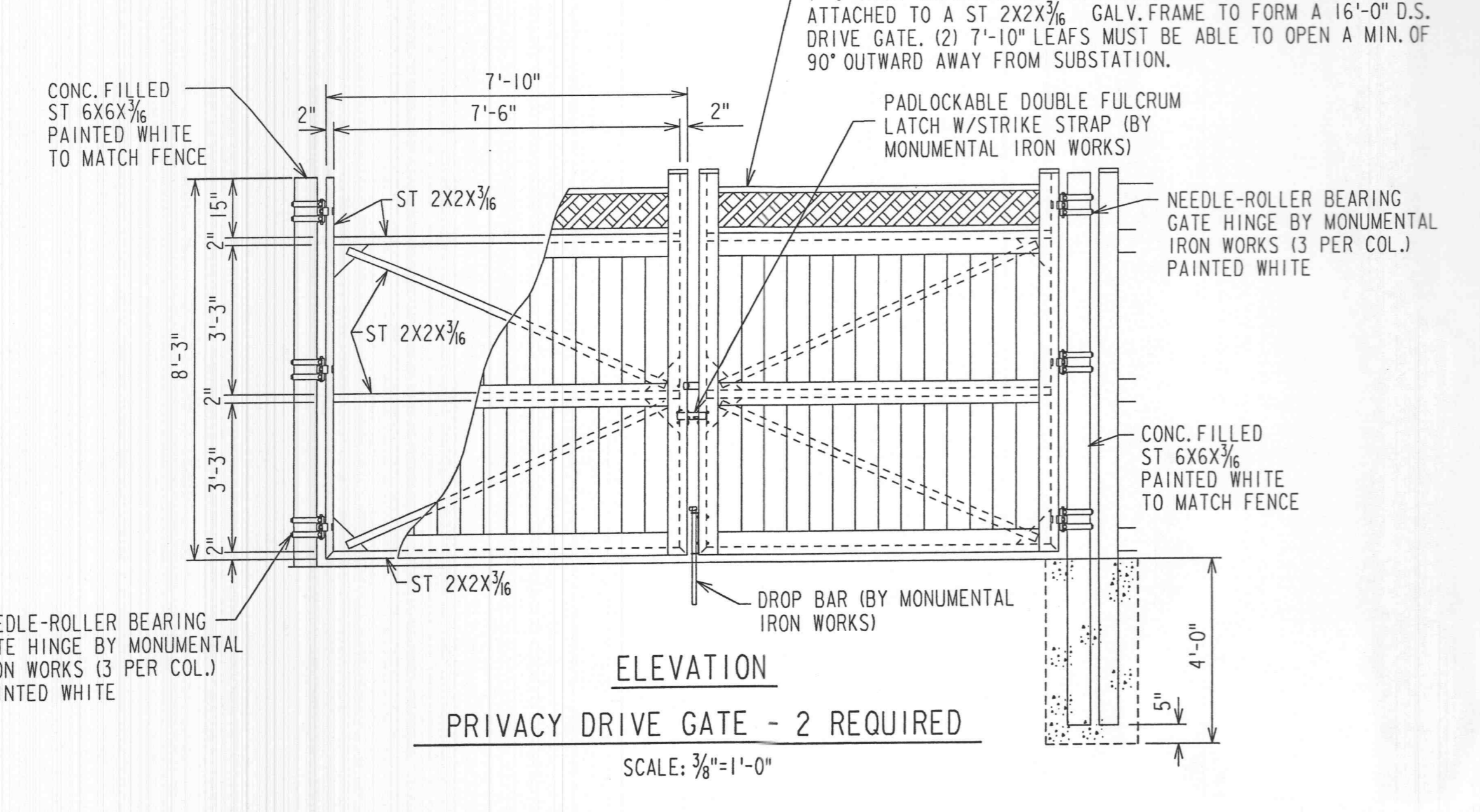
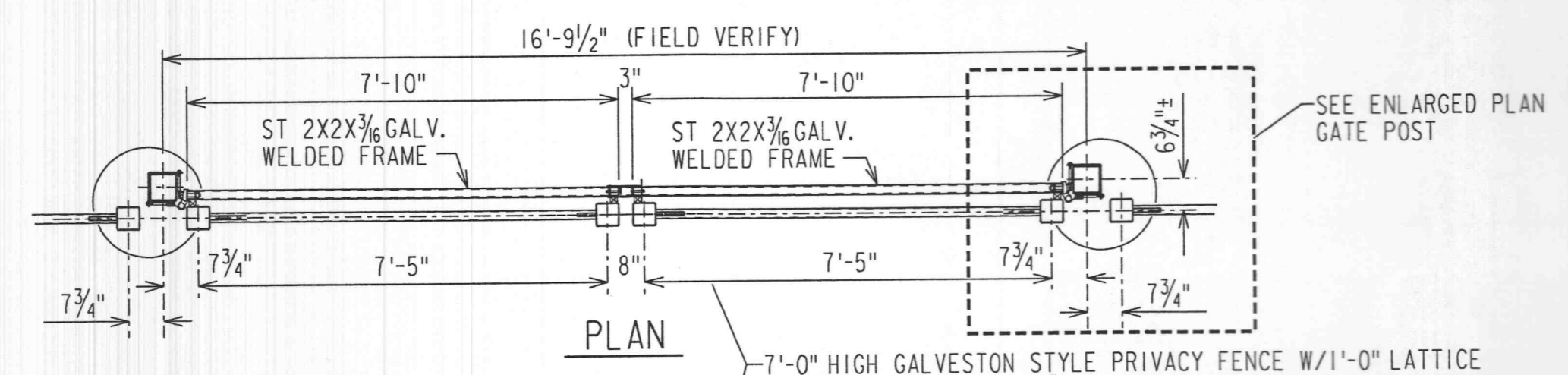
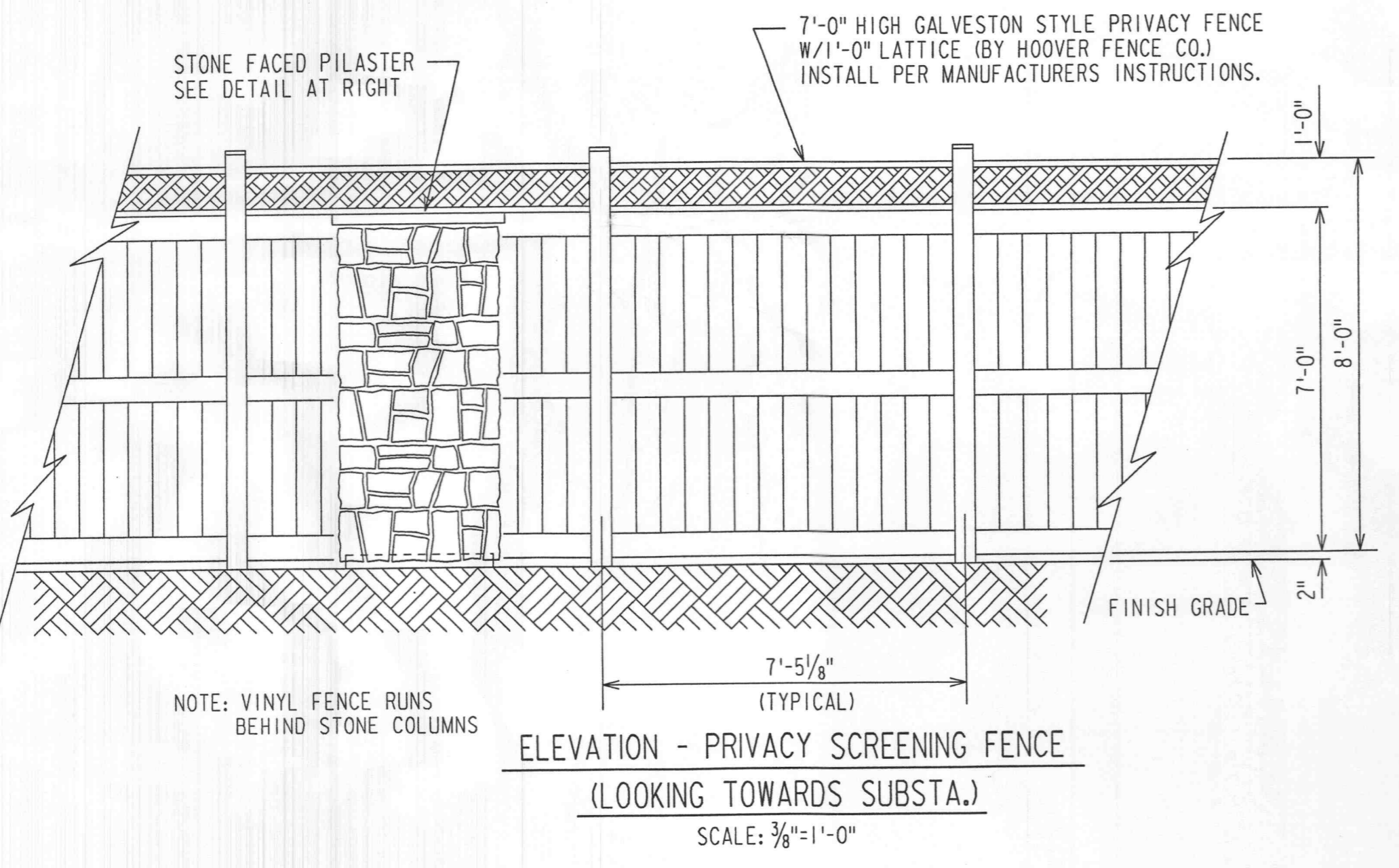
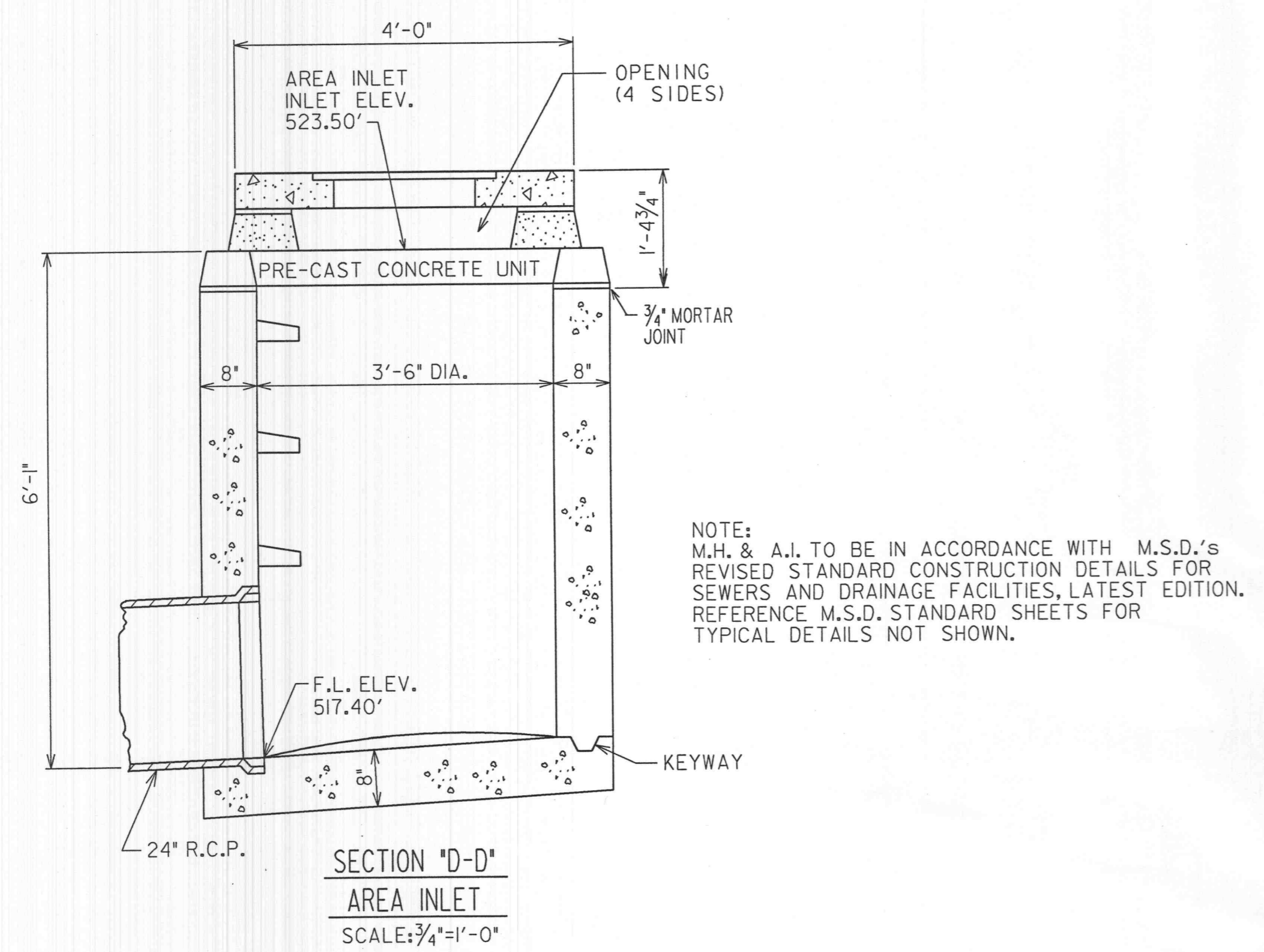


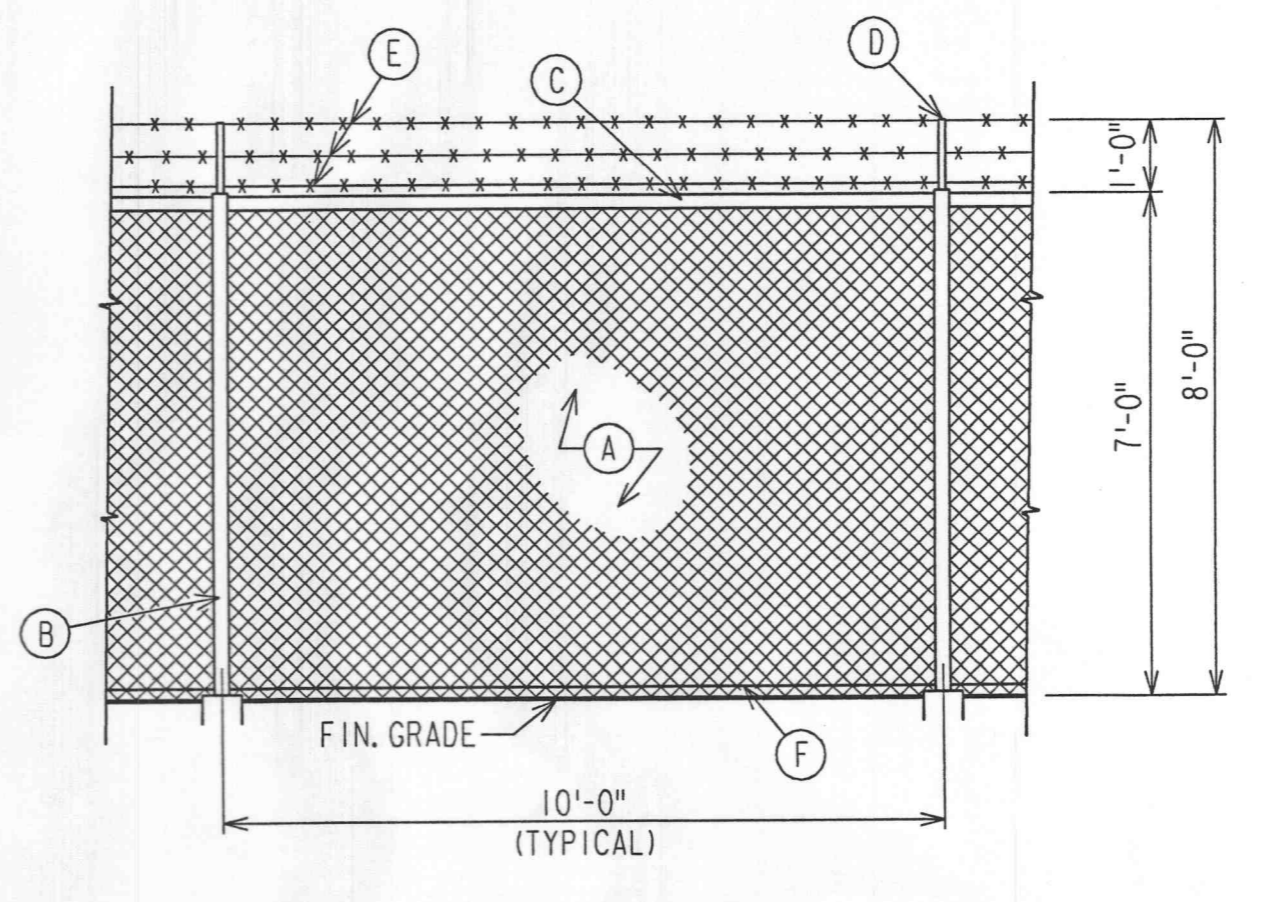
PRINT DIST.			
REVISIONS			
REV. 0	W.O.	DATE	DRAWN
		01/09/69	PJM
FIRST ISSUE			
REV. 1	DATE	DRAWN	
CHKD NOT	SUPV SAH	APPD CJS	
W.O.	FILM		
ADD REINF. BARS TO PILASTER			

9443-Y-149194

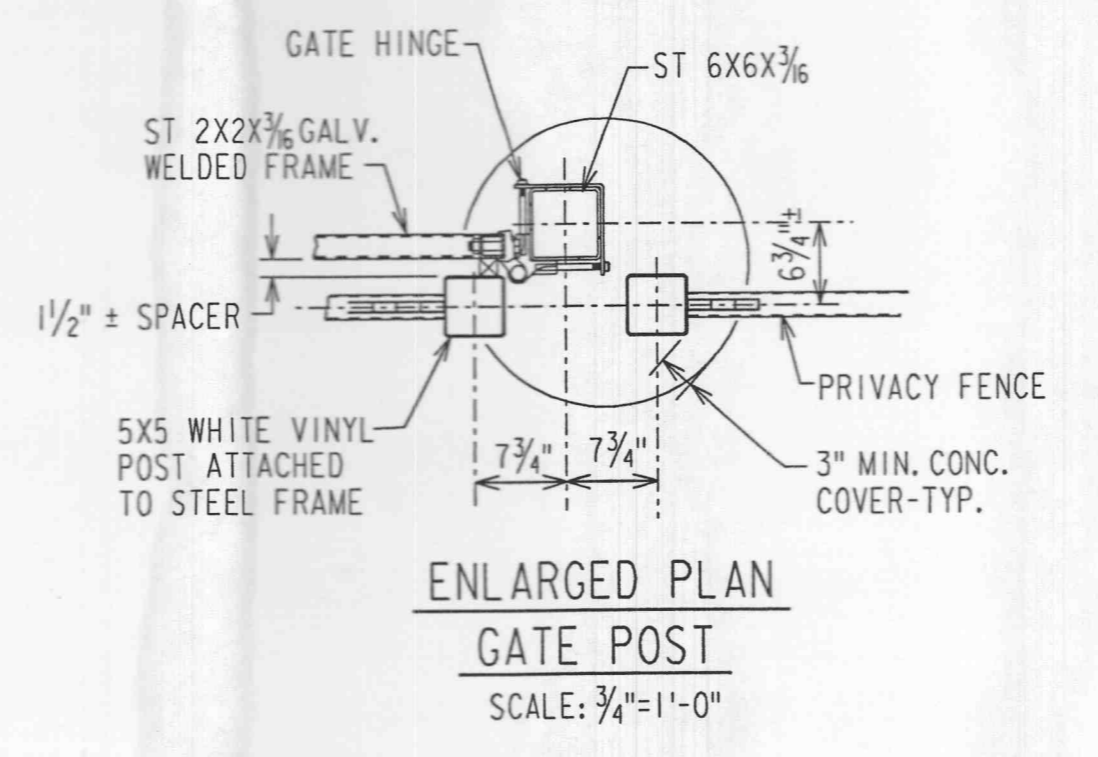
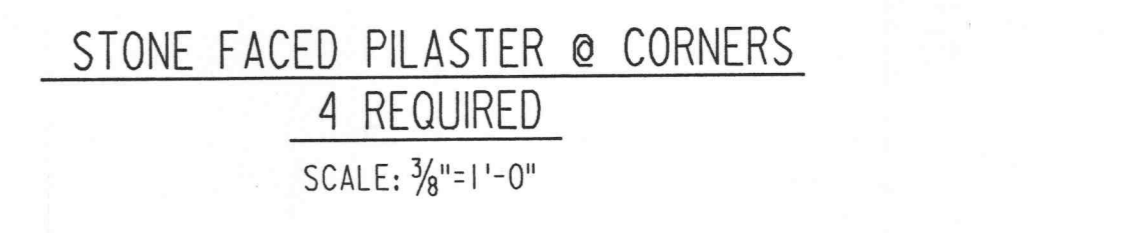
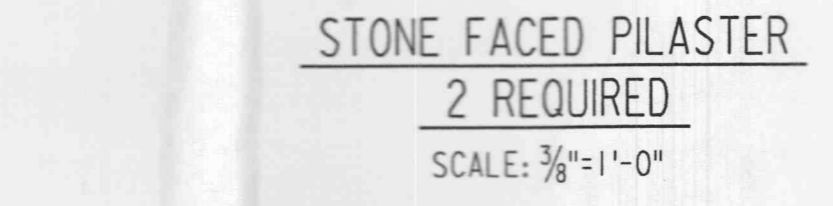
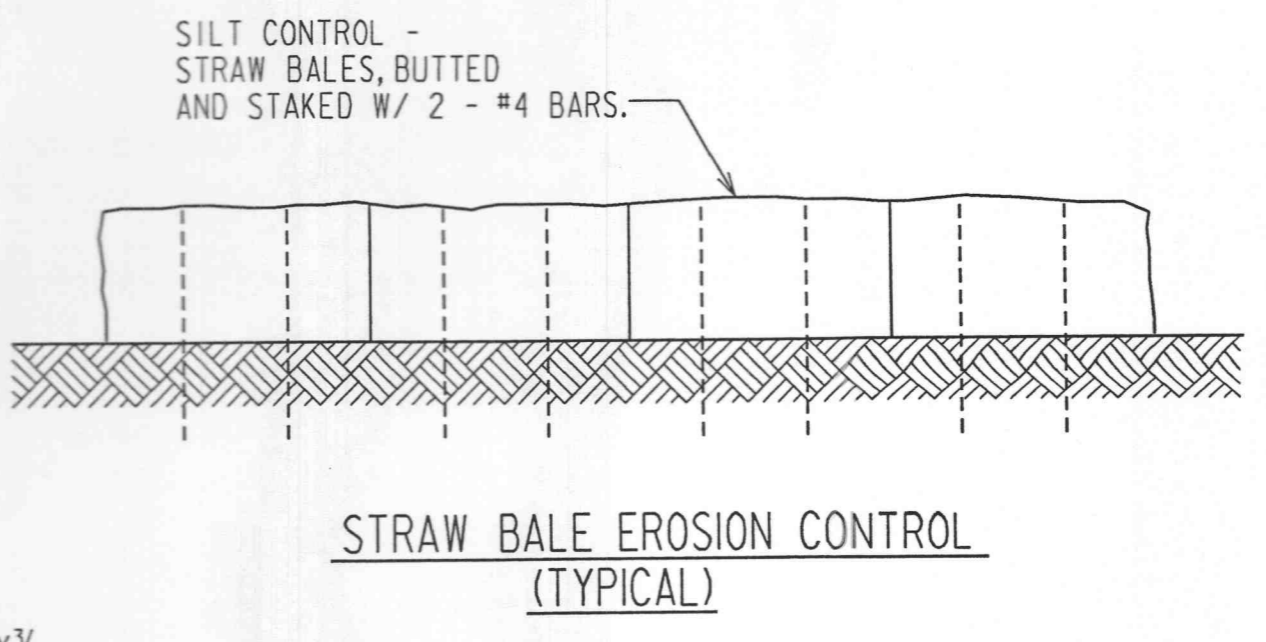
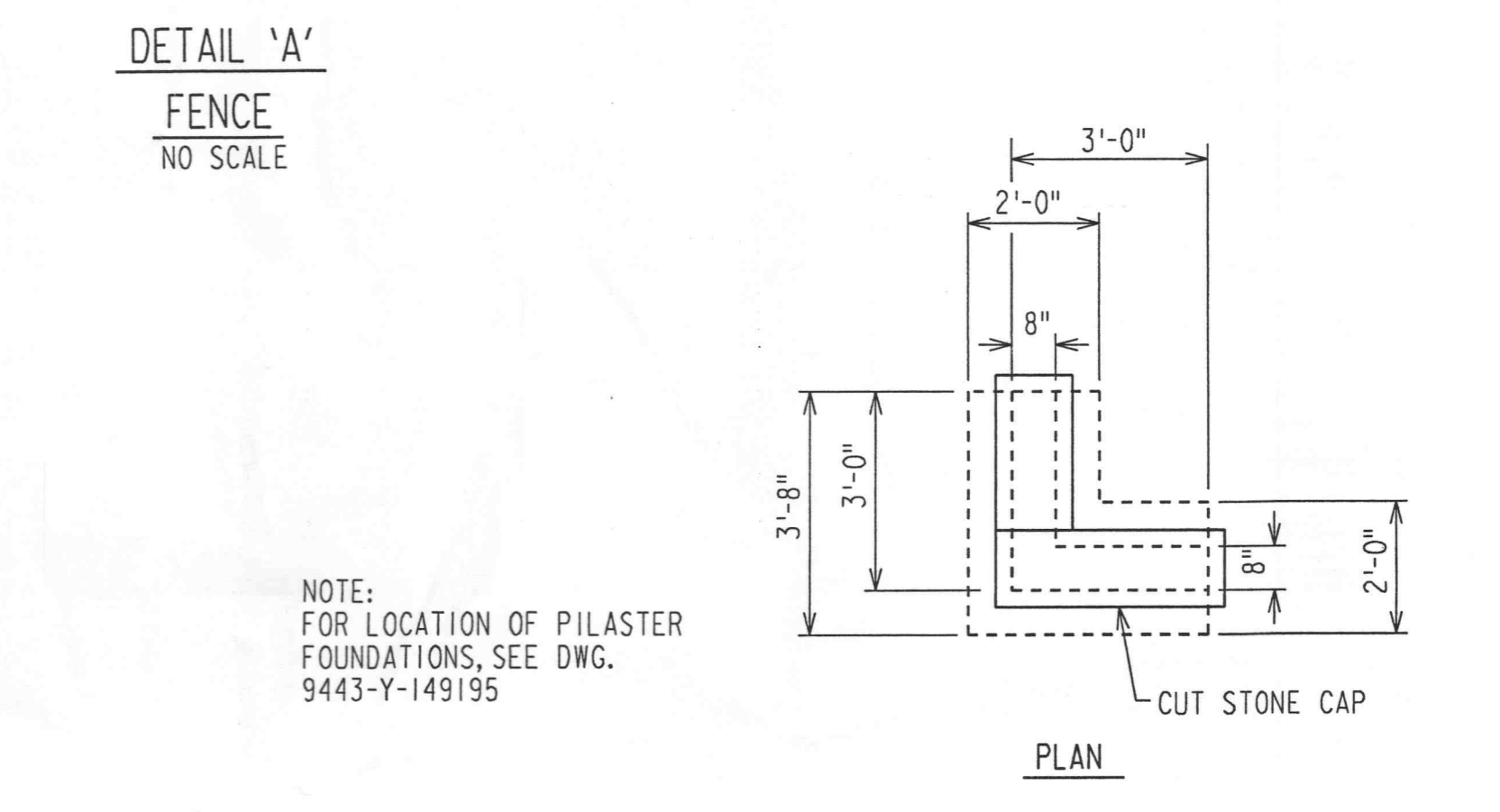
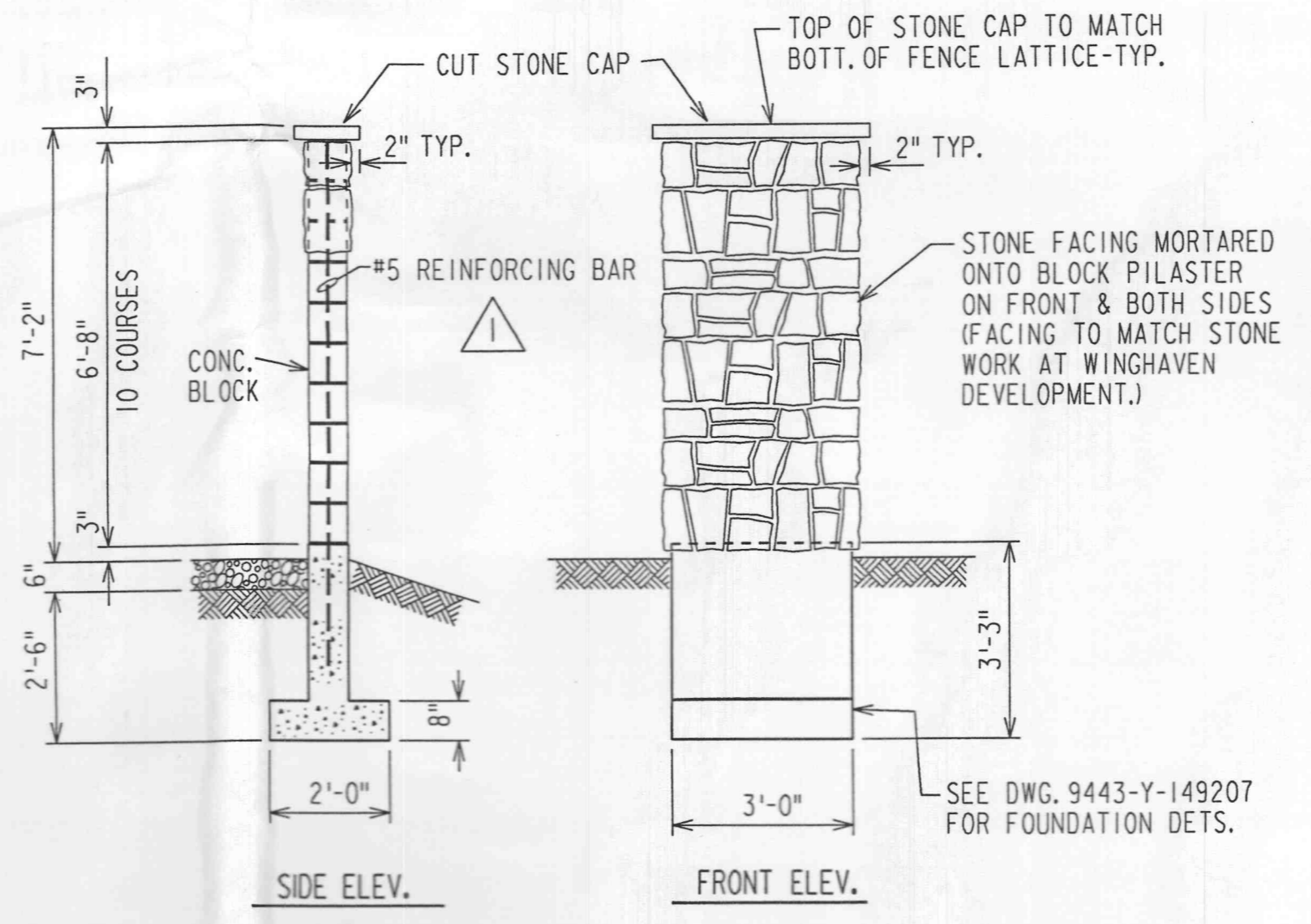
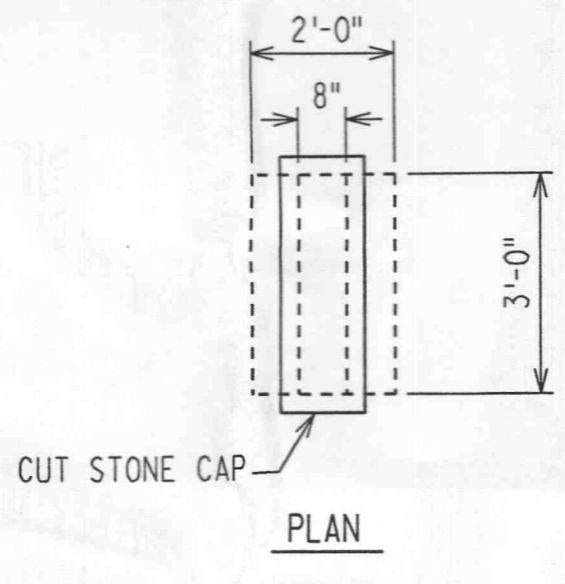
3



2



- (A) CHAINLINK FABRIC - #9 GAUGE STEEL WIRE, WOVEN IN 2" MESH, W/ A CLASS II ALUM. COATING
- (B) LINE POST - 2 3/8" O.D. GALV. STEEL PIPE
- (C) TOP RAIL - 1 5/8" O.D. GALV. STEEL PIPE
- (D) EXTENSION ARM - ARRANGED TO CARRY 3 STRANDS OF BARBED WIRE, 45° TO OUTSIDE
- (E) BARBED WIRE - COPPERWELD STEEL CO. "ALUMOWELD" FOUR POINT IOWA TYPE LIGHT WEIGHT
- (F) BOTTOM TENSION WIRE - #7 GAUGE ALUMINUM COATED SPRING WIRE OR CRIMPED WIRE



NOTE:
ALL CONNECTIONS, SPACERS, AND FENCE DETAILS
TO BE APPROVED PRIOR TO FABRICATION BY AMEREN.

FOR CONSTRUCTION
C.I.O. NO.

PROPERTY - GRADING, SURFACING & FENCE	9433-Y-149193
PROPERTY - GRADING, SURFACING & FENCE DETS. SH. 1	9433-Y-149194
PROPERTY SITE PLAN	9443-Y-149192
FOUNDATION LOCATION PLAN	9443-Y-149195

NOTICE OF LIMITED RESPONSIBILITY

THE RESPONSIBILITY OF THE UNDERSIGNED ENGINEER IS LIMITED TO THE DESIGN WORK SHOWN ON PROJECT DRAWINGS AND DOCUMENTS BEARING HIS/HER SEAL, SIGNATURE OR INITIALS. HE/SHE DOES NOT HAVE AUTHORITY OVER THE PROJECT AS A WHOLE. THE UNDERSIGNED DISCLAIMS ANY RESPONSIBILITY FOR WORK DONE UNDER SUBSEQUENT REVISIONS AND ANY OTHER DOCUMENTS ASSOCIATED WITH THE PROJECT WHICH DO NOT BEAR HIS/HER SEAL, SIGNATURE OR INITIALS.

DRAWN: 4-28-00
CHKD: NOT
NOT: SAH/CHKD.
SUPV: SAH/SKO
APPD: C.J.G.
LOCATION: 004726
NUMBER: E-18247

THOMAS LEE
HOLLENKAMP
PROFESSIONAL ENGINEER
STATE OF MISSOURI

PREPARED FOR AmerenUE

PROPERTY
GRADING, SURFACING AND FENCE
DETAILS SHEET 2

CLASS 02010

WINGHAVEN SUBSTATION

9443-Y-149194

REV. 1

37-5-18 Rev. 3-95