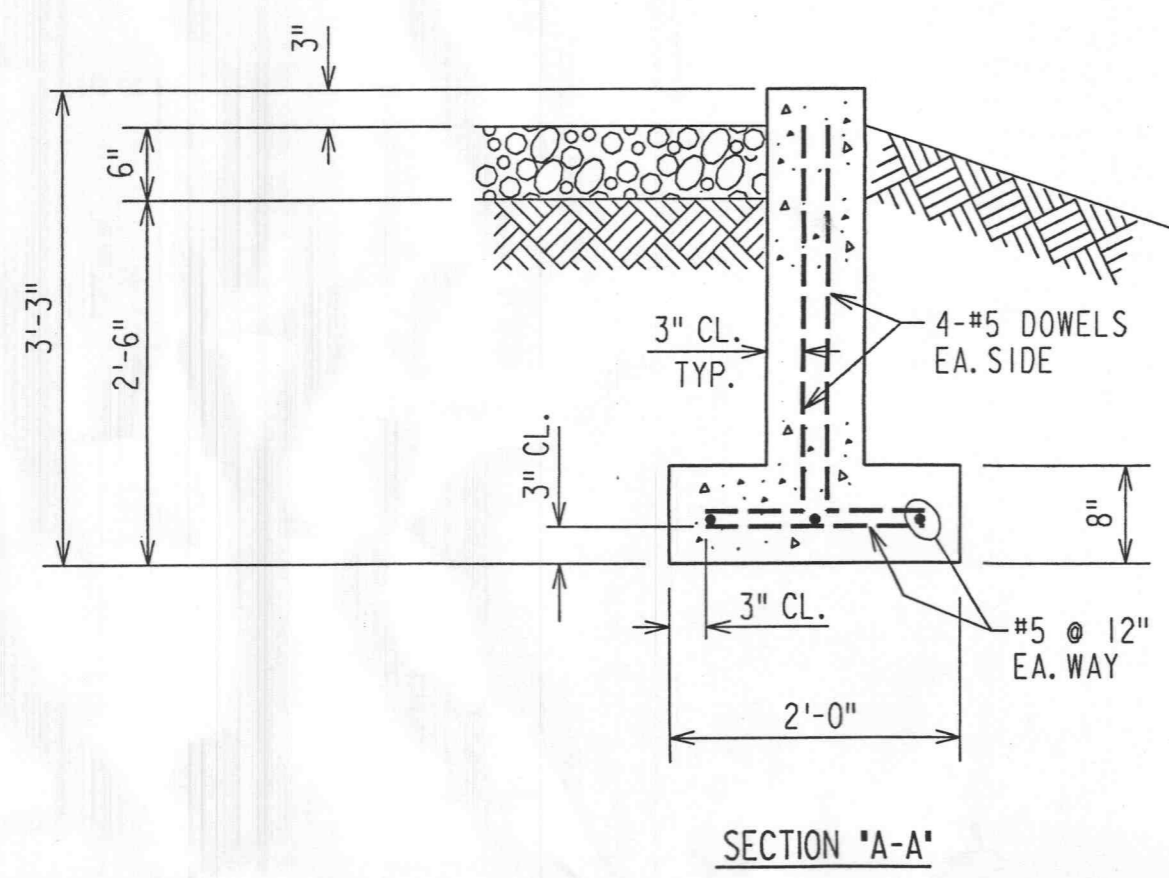
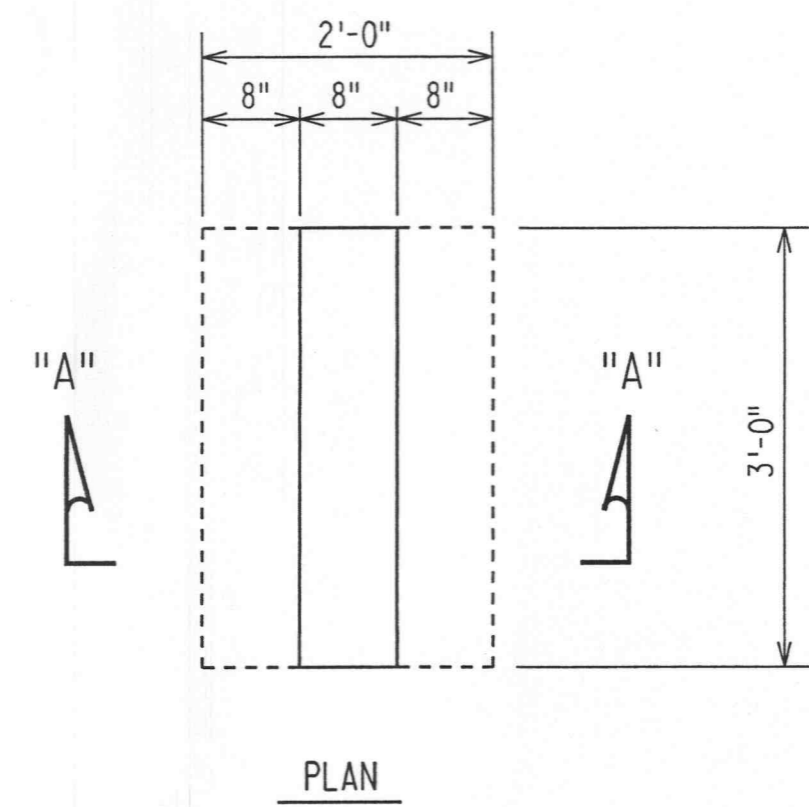
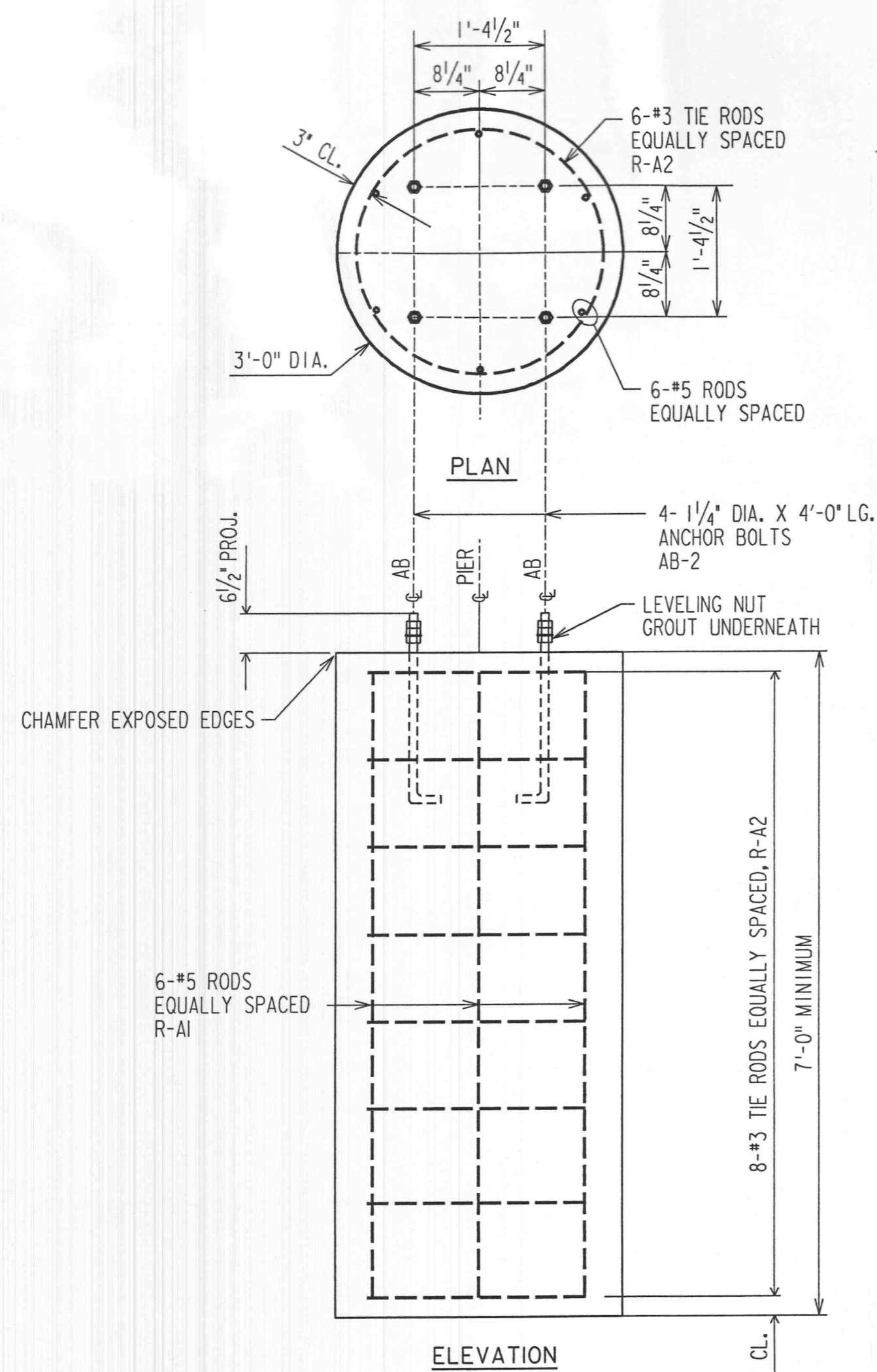


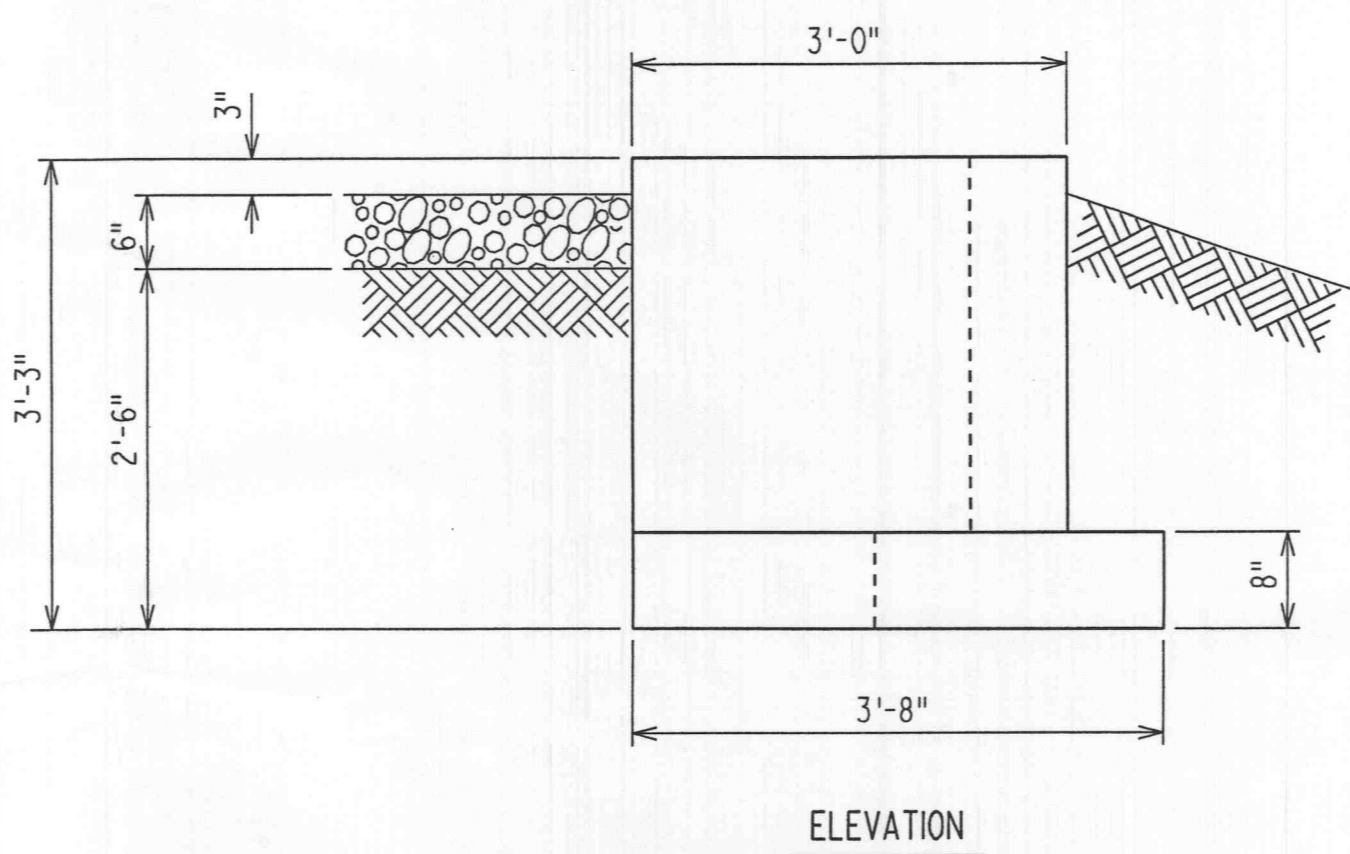
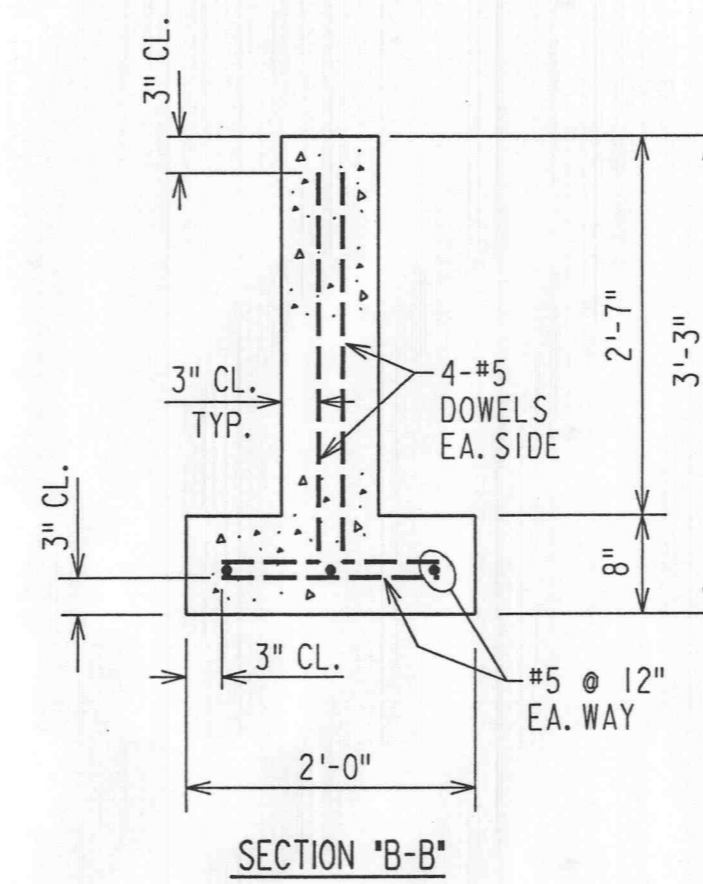
PRINT DIST.			
9443-Y-149207			
3			
REVISIONS			
REV. 0	W.O. 10969		
FIRST ISSUE			
REV. 1	DATE 07200	DRAWN MSM	
CHKD NOT	SUPV	APPD	
W.O. 10969	FILM		
REVISE ANTENNA MAST FDN.			



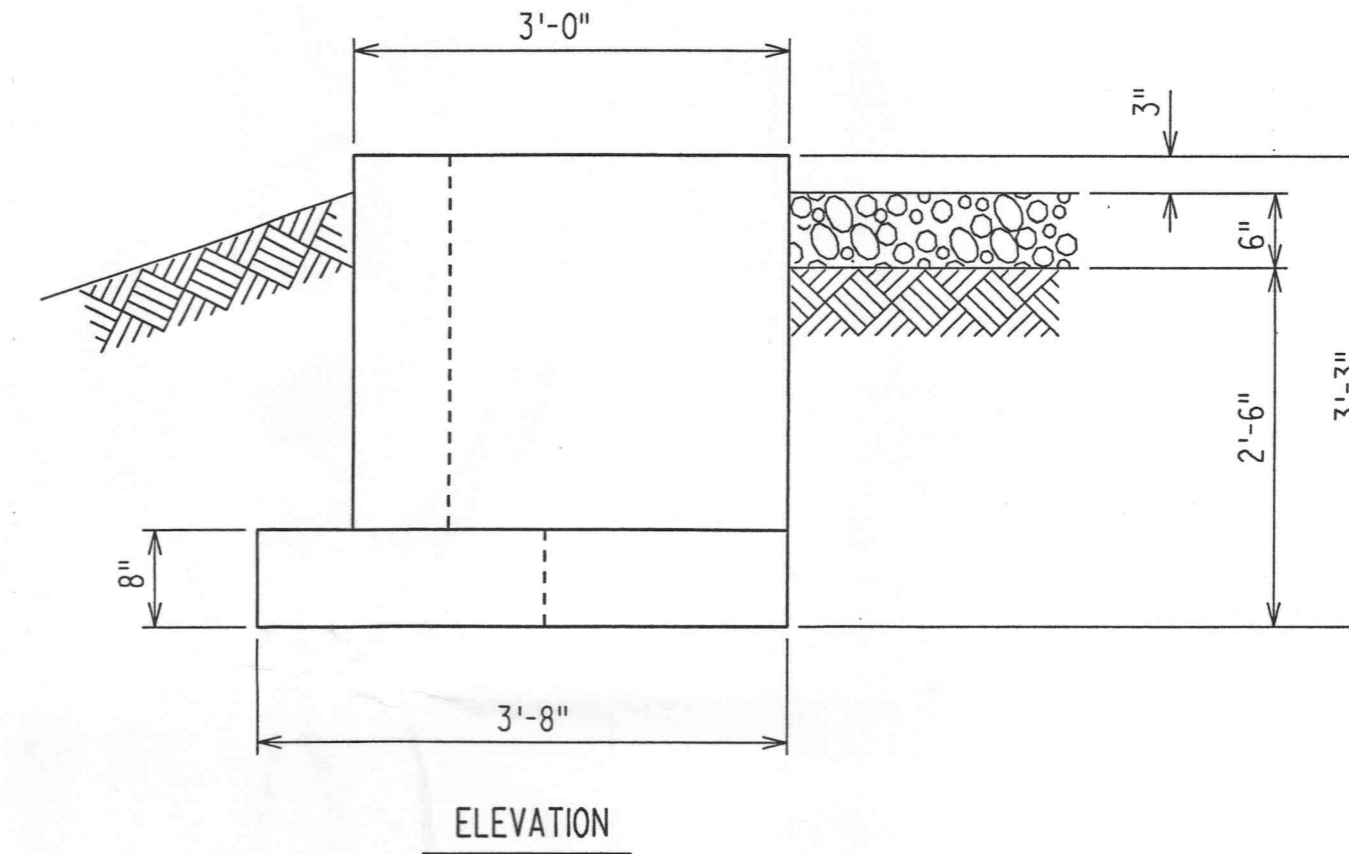
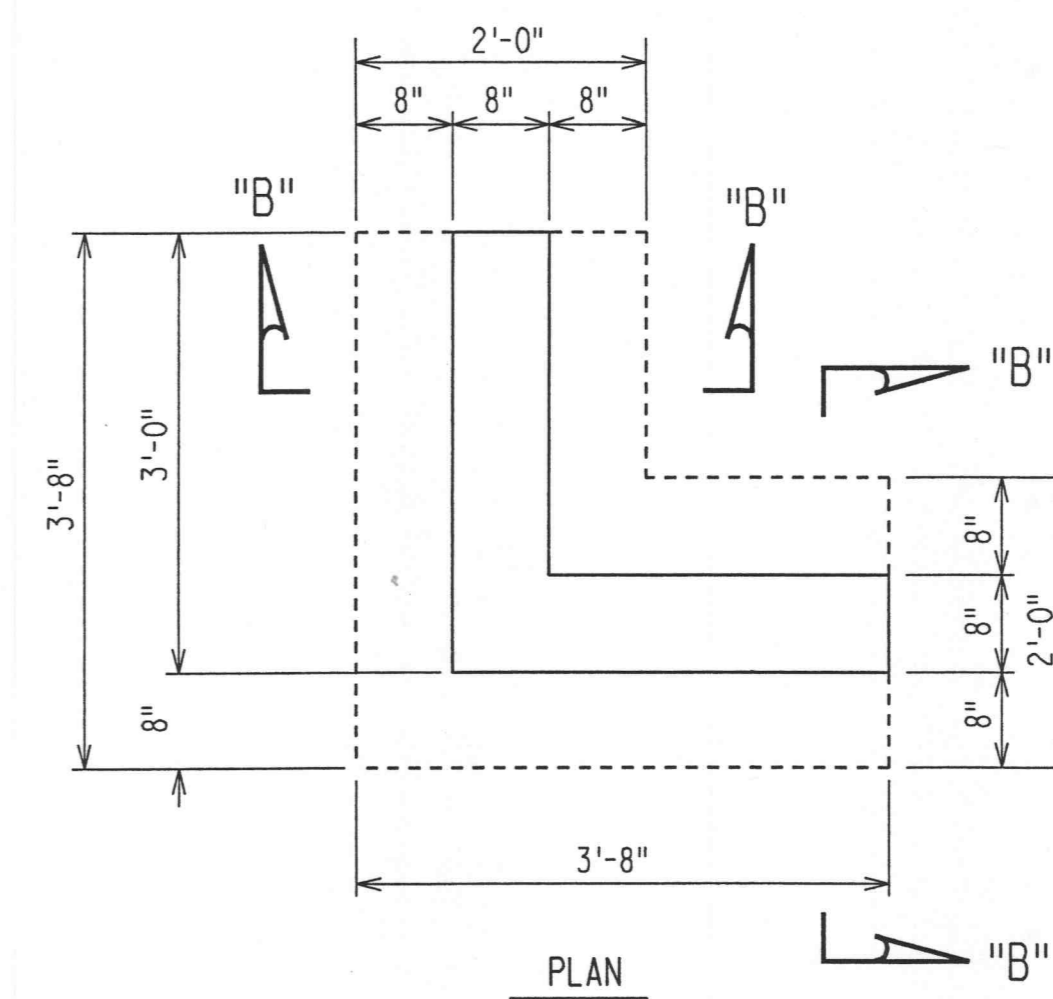
FOUNDATION PF-2B & C
2 REQUIRED
SCALE: 3/4"=1'-0"



DRILLED PIER FDN. DETAIL FOR ANTENNA MAST
ONE REQUIRED

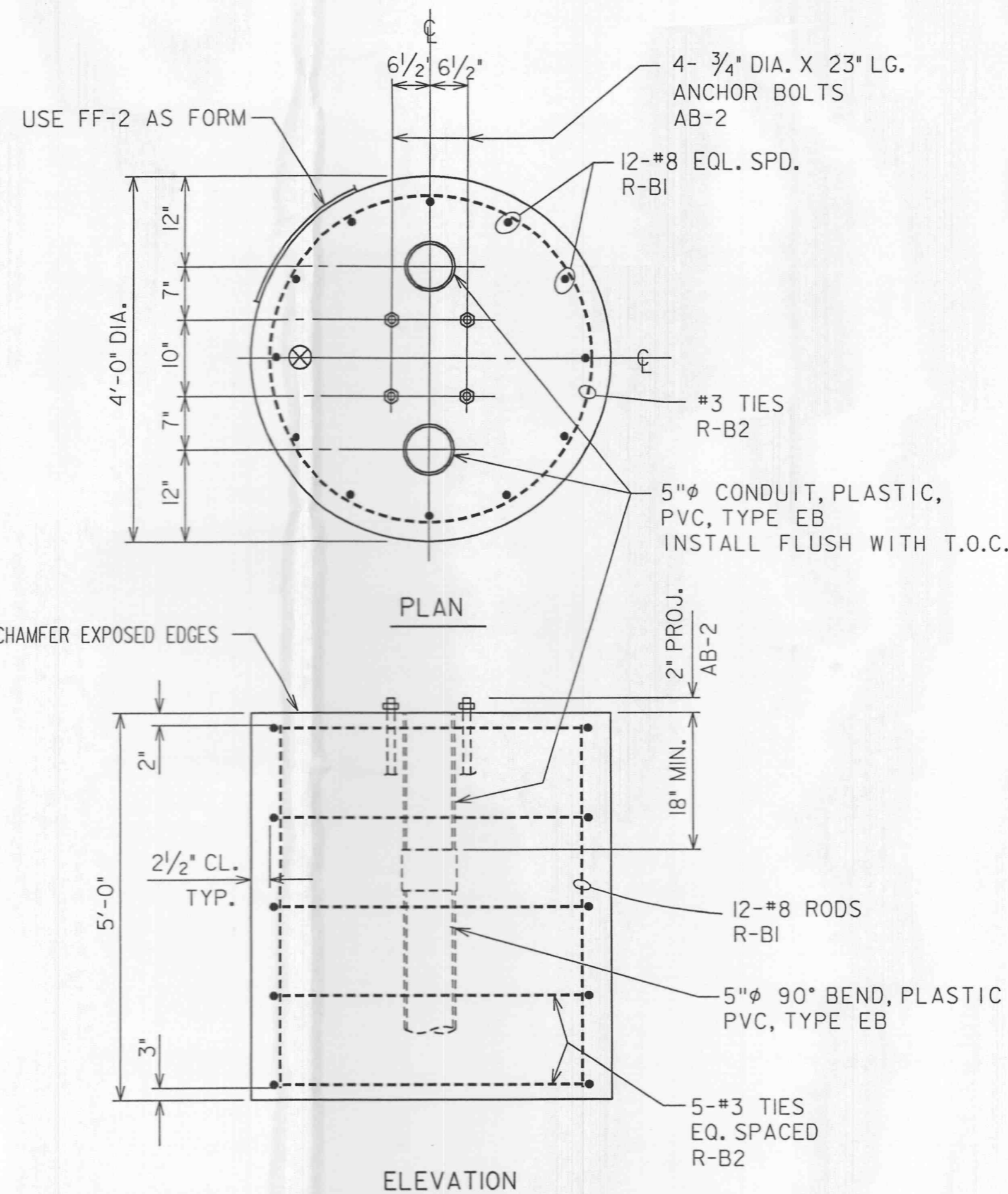


ELEVATION



ELEVATION

FOUNDATION PF-1A & C
4 REQUIRED
SCALE: 3/4"=1'-0"



H.V. CABLE SUPPORT FOOTING
DOUBLE FEEDER 1 REQ'D

FOR CONSTRUCTION
FOR RECORD ONLY
C. J. O. NO.

- NOTES:
- REFERENCE MARK \otimes IS USED TO ORIENT FOUNDATION. SEE FOUNDATION LOCATION PLAN.
 - CONCRETE SHALL HAVE A MINIMUM COMPRESSIVE STRENGTH OF 4000 P.S.I. AT 28 DAYS.
 - REINFORCING STEEL SHALL BE ASTM A615, GR. 60

PROPERTY - GRADING, SURFACING & FENCE 9433-Y-149193
PROPERTY - GRADING, SURFACING & FENCE DETS. SH. 1 & 2 9433-Y-149194
PROPERTY SITE PLAN 9443-Y-149192
FOUNDATION LOCATION PLAN 9443-Y-149195



NOTICE OF LIMITED RESPONSIBILITY		DRAWN 5-3-00	
THE RESPONSIBILITY OF THE UNDERSIGNED ENGINEER IS LIMITED TO THE DESIGN WORK SHOWN ON PROJECT DRAWINGS AND DOCUMENTS BEARING HIS/HER SEAL, SIGNATURE OR INITIALS. HE/SHE DOES NOT HAVE AUTHORITY OVER THE PROJECT AS A WHOLE. TIME UNDER UNDERSIGNED'S DISCIPLINE ANY RESPONSIBILITY FOR WORK DONE UNDER SUBSEQUENT REVISIONS AND ANY OTHER DOCUMENTS ASSOCIATED WITH THE PROJECT WHICH DO NOT BEAR HIS/HER SEAL, SIGNATURE OR INITIALS.		PREPARED FOR AmeronUE	
REV. 0 SEALED BY J. SHELTON	CHKD. NOT CHKD.	STRUCTURE - CONCRETE DETAIL MISC. FOUNDATIONS	
THOMAS LEE HOLLENKAMP	SUPV. SAH	WINGHAVEN SUBSTATION	
APPD. C.J.G.	LOCATION 004726	CLASS 04050	REV. 1
NUMBER E-18247		9443-Y-149207	
Ameron		ST. LOUIS, MISSOURI	