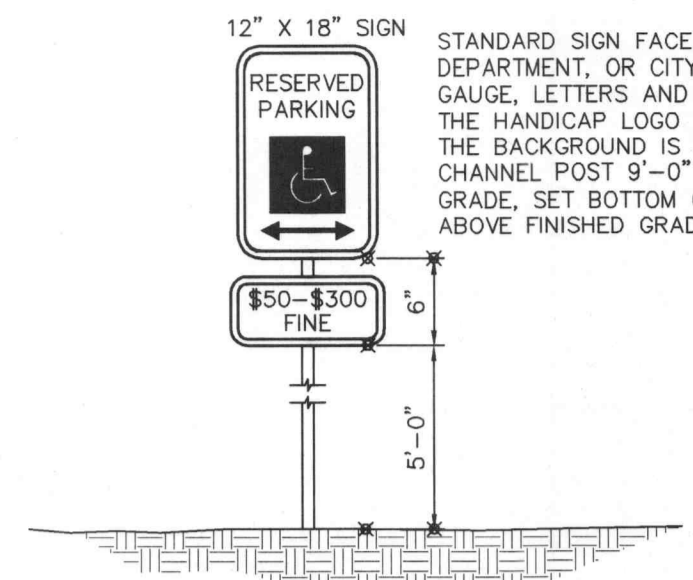
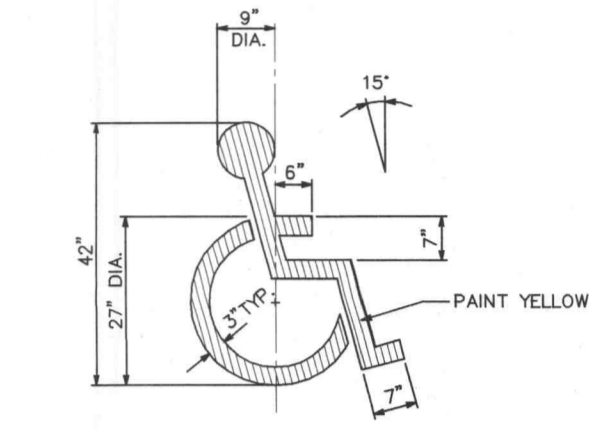


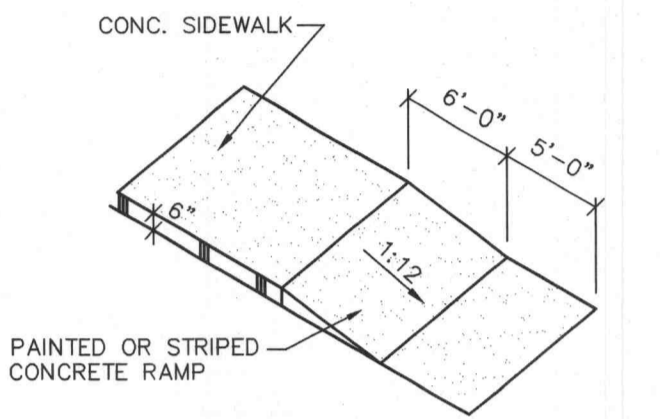
ENTRANCE PAVEMENT DETAIL
NOT TO SCALE



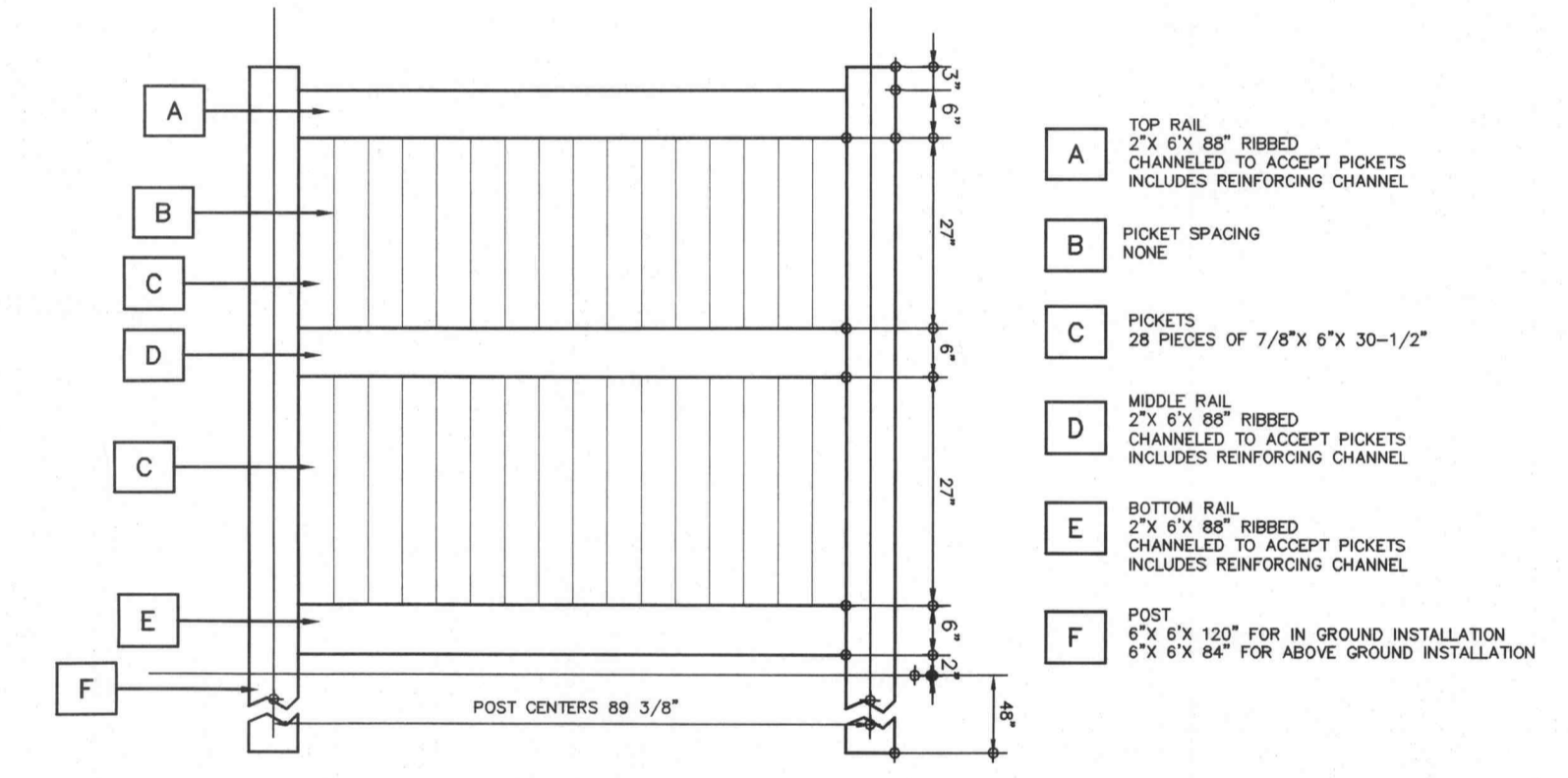
HANDICAP PARKING SIGN
NOT TO SCALE



PAINTED HANDICAPPED
PARKING SYMBOL
NOT TO SCALE



HANDICAPPED RAMP DETAIL
NOT TO SCALE

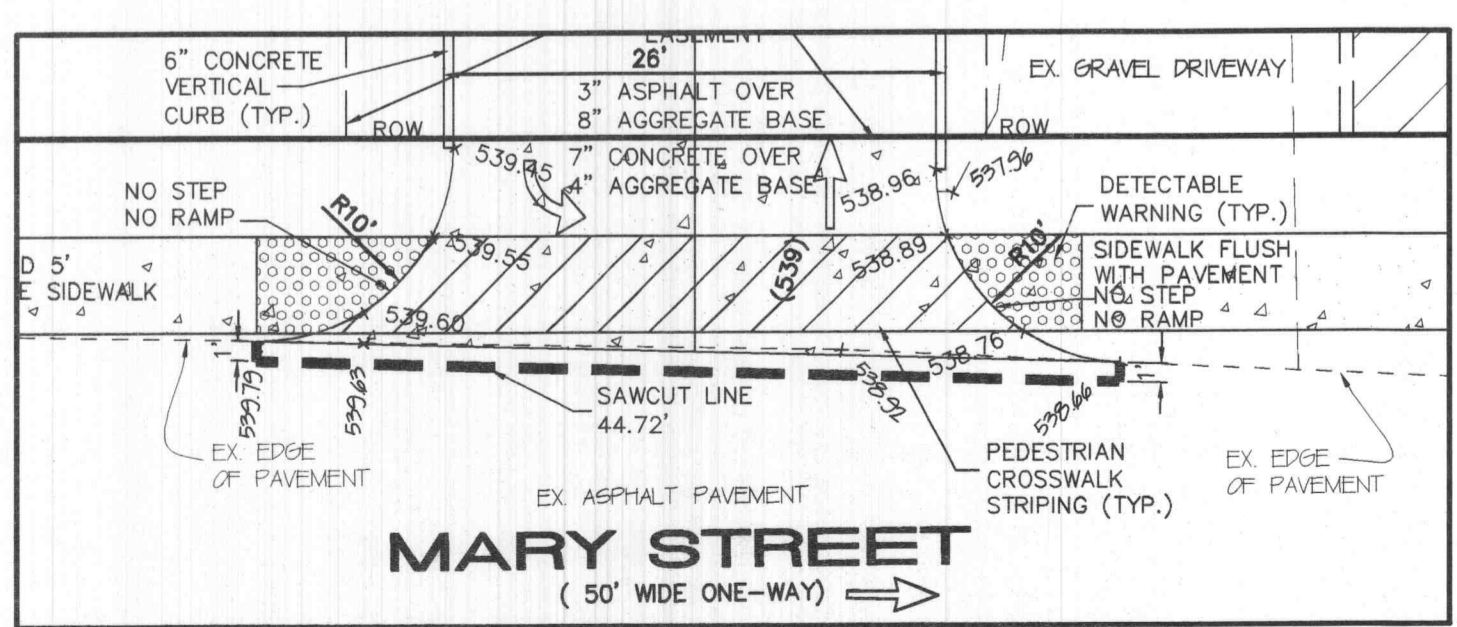


6\"/>

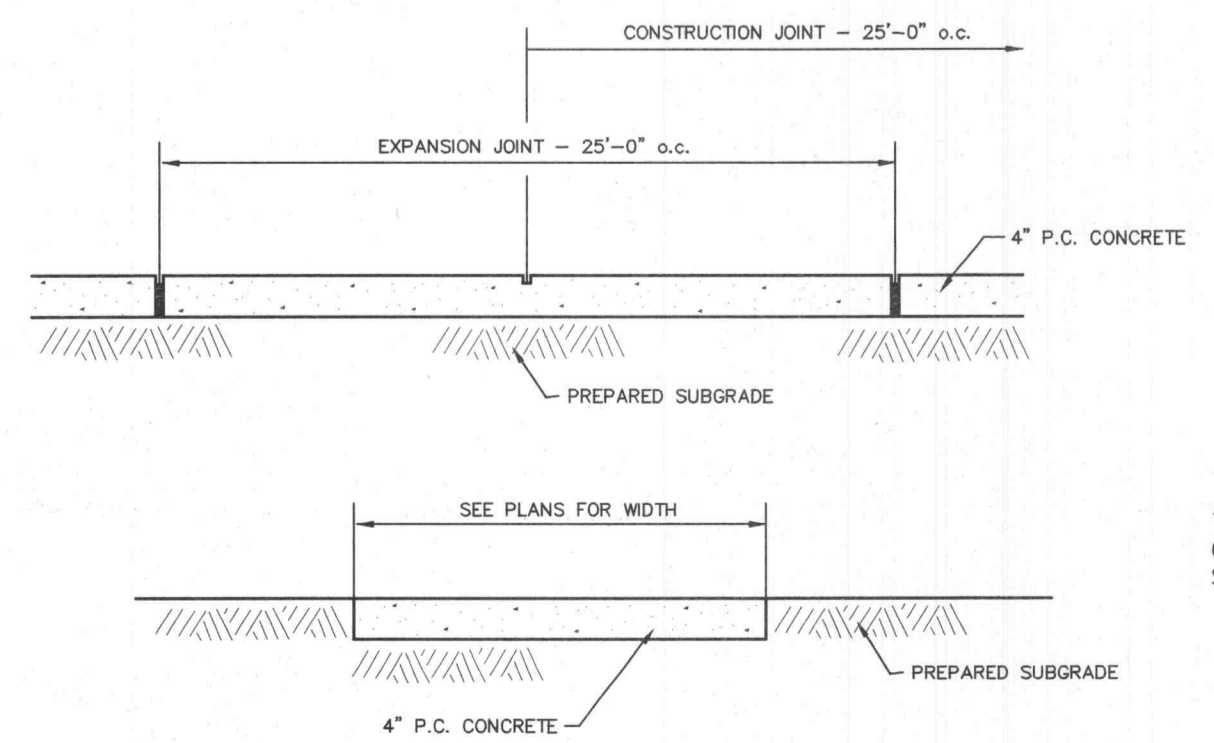
LANDSCAPE LEGEND

- QTY. (12) ~ INDICATES PROPOSED EVERGREEN OR ORNAMENTAL SHRUB (mugo pines, yews, junipers, hollies, boxwoods) (spreas, forsythia, barberries, privets, lilacs)
- QTY. (5) ~ INDICATES PROPOSED DECIDUOUS HARDWOOD TREE (Size: 3\"/>

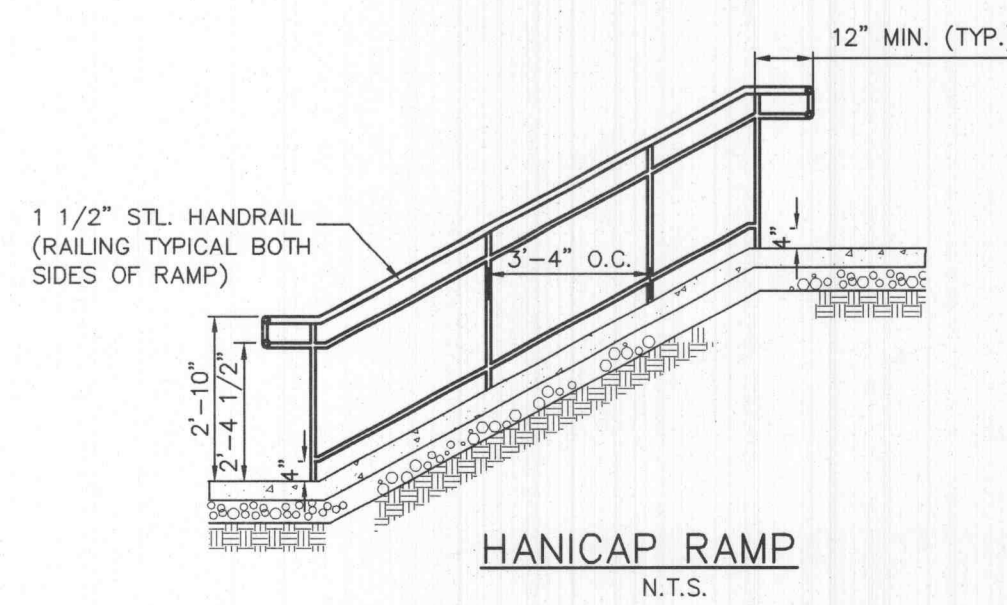
****LANDSCAPING AS DEPICTED IS SUBJECT TO FINAL**
DESIGN BY A QUALIFIED LANDSCAPE DESIGNER**



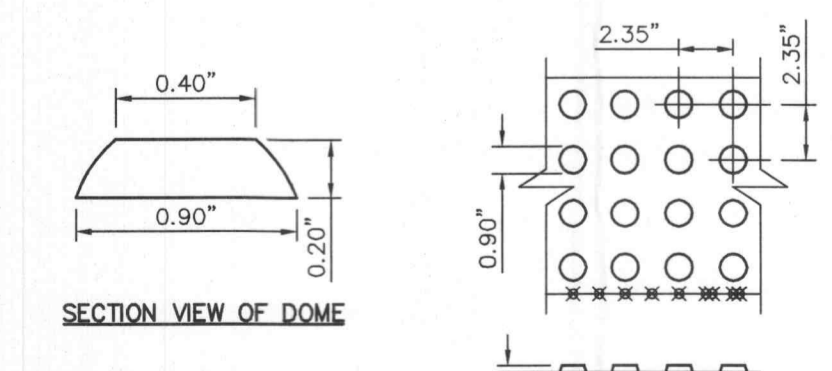
ENTRANCE DETAIL
SCALE: 1\"/>



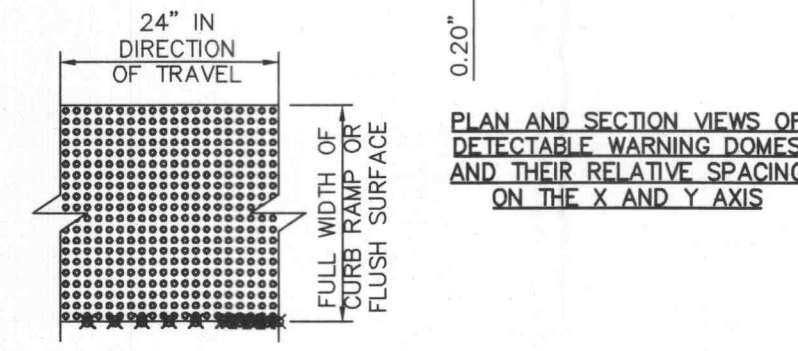
CONCRETE SIDEWALK DETAIL
NOT TO SCALE



HANICAP RAMP
N.T.S.

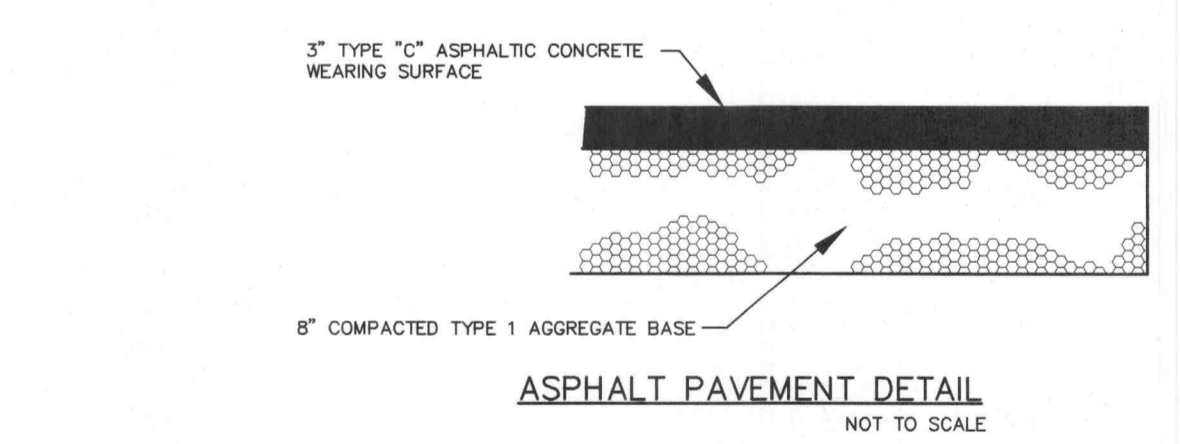


SECTION VIEW OF DOME

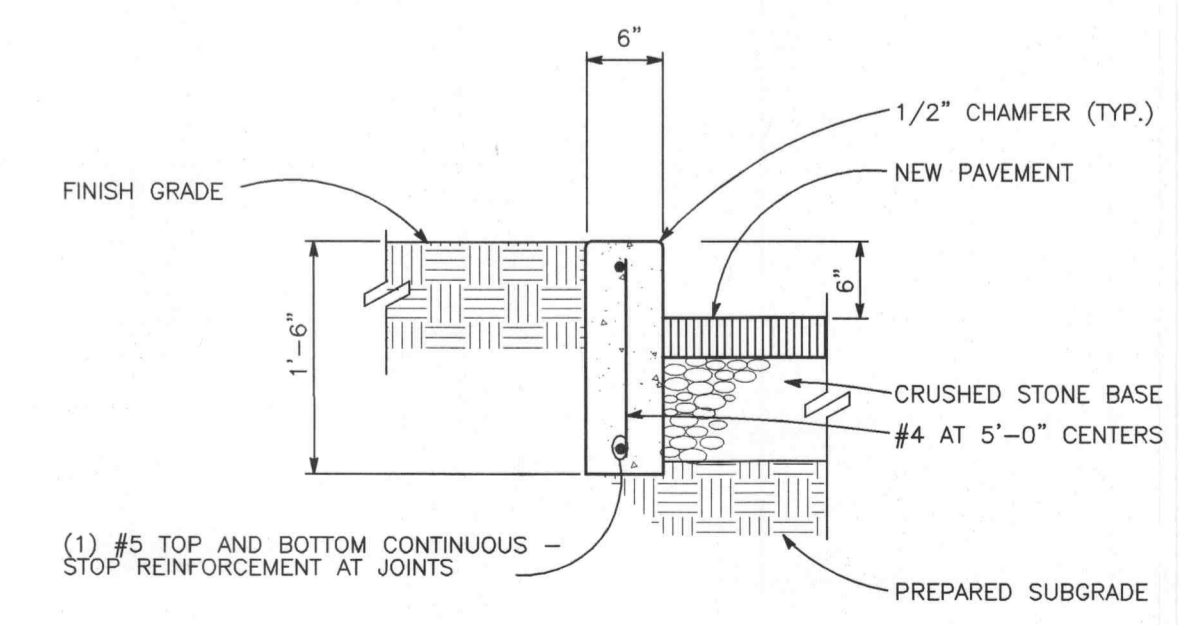


PLAN VIEW OF A DETECTABLE WARNING SURFACE
SHOWING DOMES ALIGNED IN ROWS, NOT SKEWED
DIAGONALLY

TYPICAL DETAIL OF DETECTABLE WARNING SURFACE
NOT TO SCALE



ASPHALT PAVEMENT DETAIL
NOT TO SCALE



CONCRETE CURB DETAIL
NOT TO SCALE

UNDERGROUND UTILITIES HAVE BEEN PLOTTED FROM AVAILABLE INFORMATION AND THEREFORE THEIR LOCATIONS SHALL BE CONSIDERED APPROXIMATE ONLY. THE VERIFICATION OF THE LOCATION OF ALL UNDERGROUND UTILITIES, EITHER SHOWN OR NOT SHOWN ON THESE PLANS SHALL BE THE RESPONSIBILITY OF THE CONTRACTOR, AND SHALL BE LOCATED PRIOR TO ANY GRADING OR CONSTRUCTION OF THE IMPROVEMENTS.