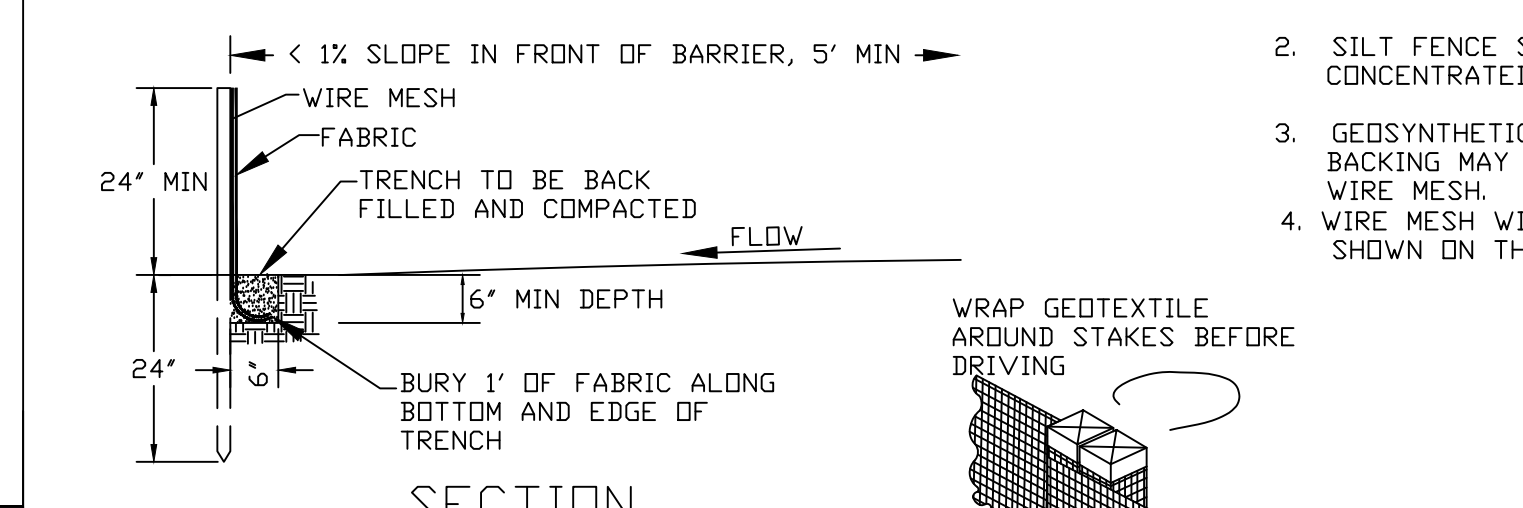
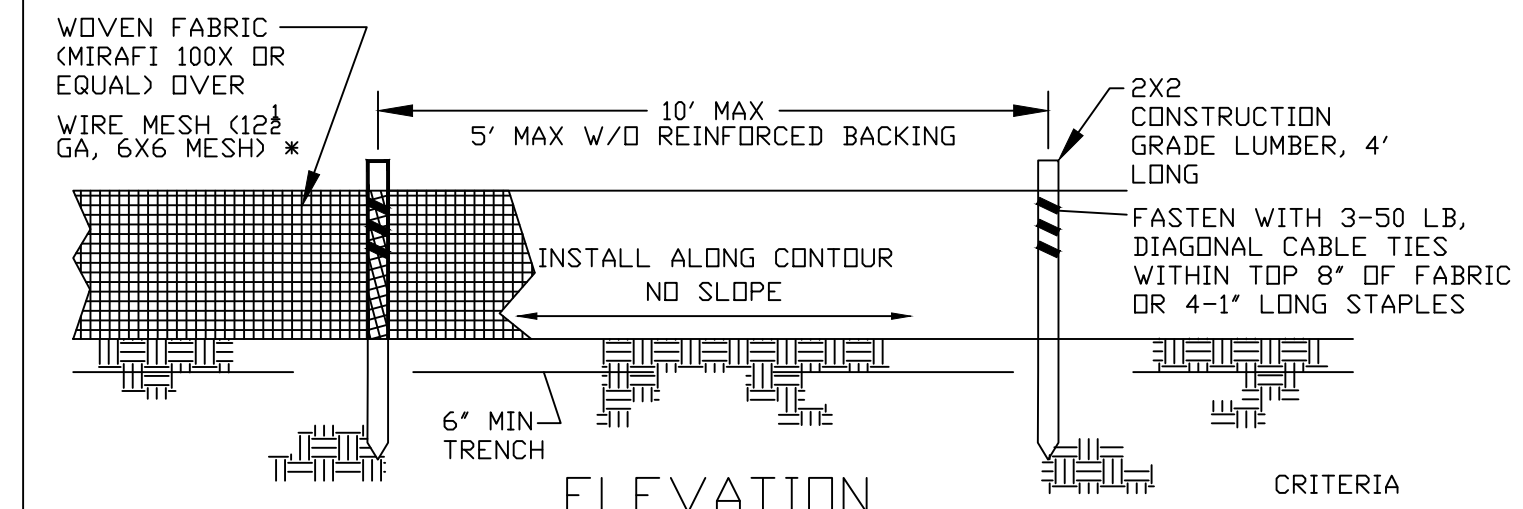


- DESIGN CRITERIA**
- SILT FENCE FOR SHEET FLOW SHALL HAVE A MAXIMUM DRAINAGE AREA OF 1/4 ACRE PER 100 LF.
  - STRAW BALE BARRIERS FOR SHEET FLOW SHALL HAVE A MAXIMUM DRAINAGE AREA OF 1/4 ACRE PER 100 LF.
  - REFER TO INDIVIDUAL ESC FIGURE FOR INSTALLATION.
  - TERRACING INCLUDES LOGS, WATTLES & FILTER SOCKS.

CITY OF O'FALLON  
ENGINEERING DEPARTMENT  
O'FALLON, MISSOURI

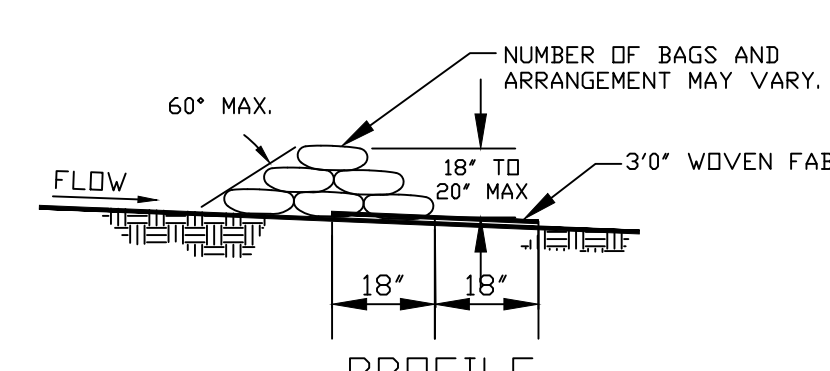
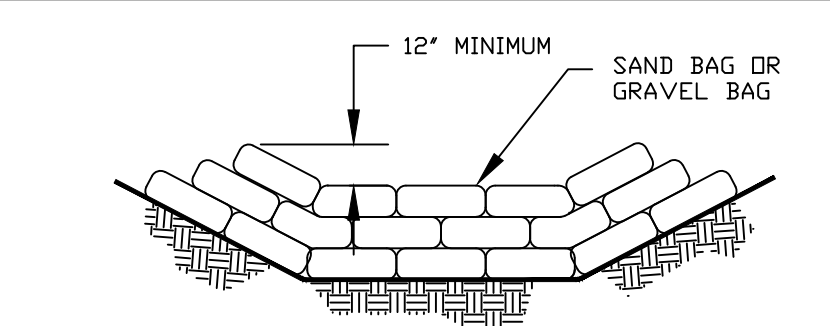
**SPACING CHART FOR ESC DEVICES**



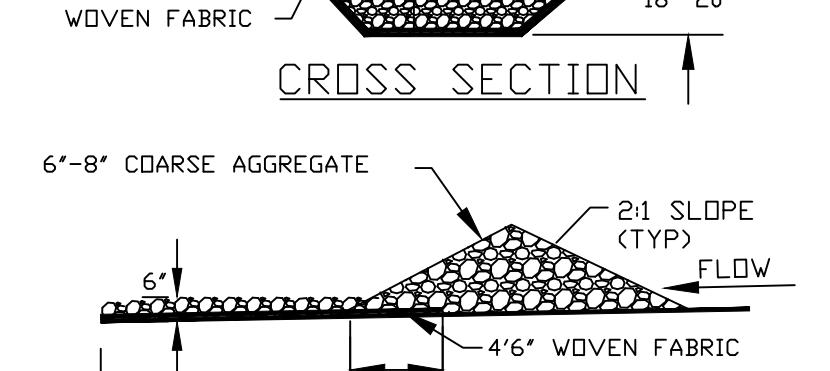
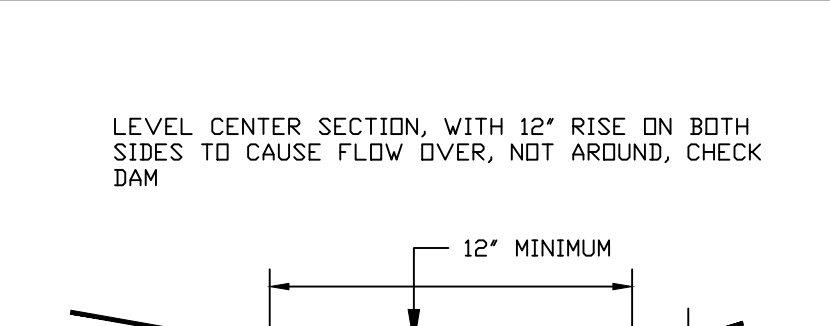
- CRITERIA**
- SILT FENCE SHALL BE 24 INCHES HIGH.
  - SILT FENCE SHALL NOT BE USED FOR CONCENTRATED FLOWS.
  - GEOSYNTHETIC REINFORCED SILT FENCE BACKING MAY BE USED IN LIEU OF WIRE MESH.
  - WIRE MESH WILL BE USED AT LOCATIONS SHOWN ON THE APPROVED SWPPP.

CITY OF O'FALLON  
ENGINEERING DEPARTMENT  
O'FALLON, MISSOURI

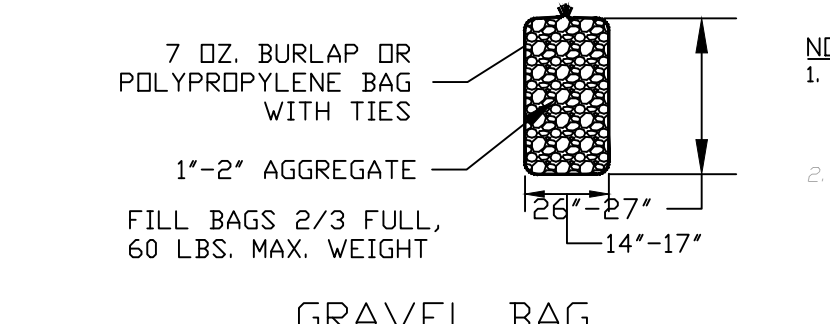
**SILT FENCE INSTALLATION SHEET FLOW (ONLY)**



**SAND BAG OR GRAVEL BAG CHECK DAM**



**ROCK CHECK DAM**

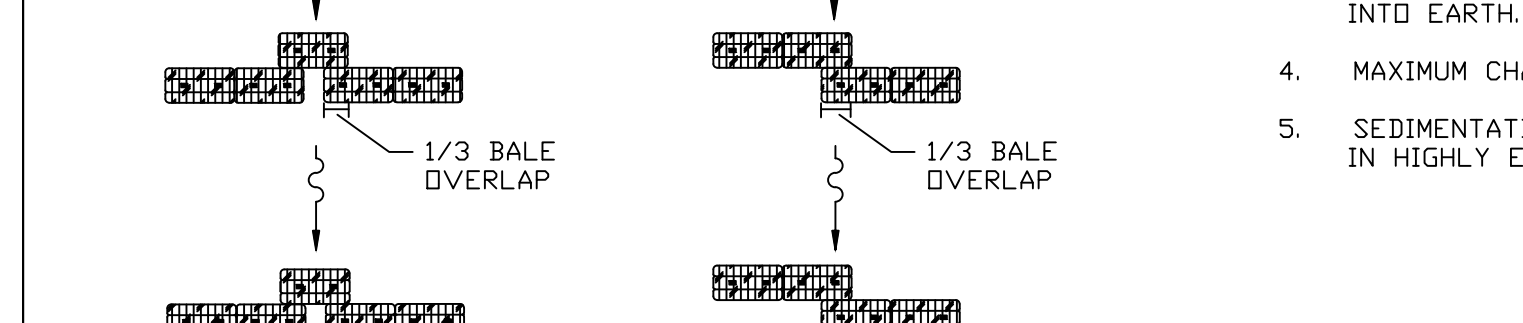
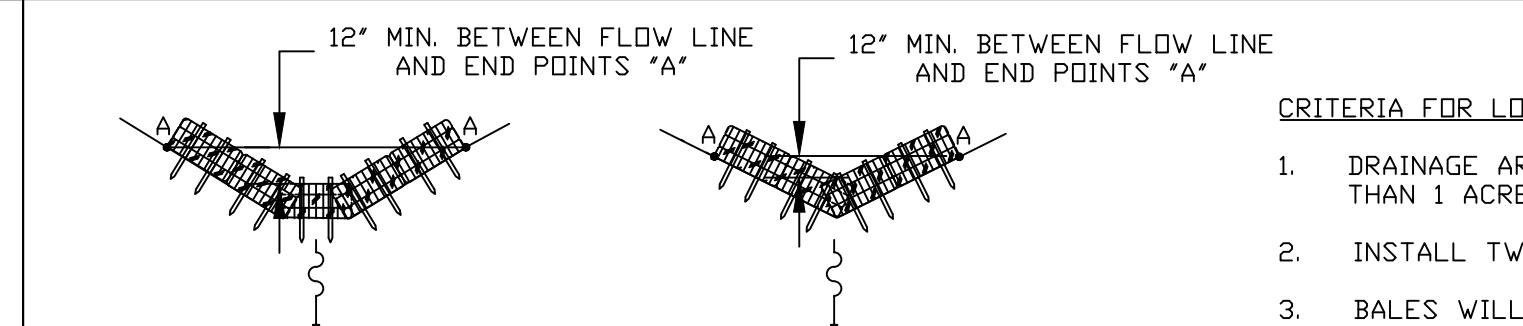


**GRAVEL BAG**

- NOTE:**
- CHECK DAMS MAY BE CONSTRUCTED OF SEVERAL ESC CHECK DAM PRODUCTS.
  - SEE TABLE 60-12 AND ESC 1 FOR CHECK DAM SPACING.

CITY OF O'FALLON  
ENGINEERING DEPARTMENT  
O'FALLON, MISSOURI

**CHECK DAMS**

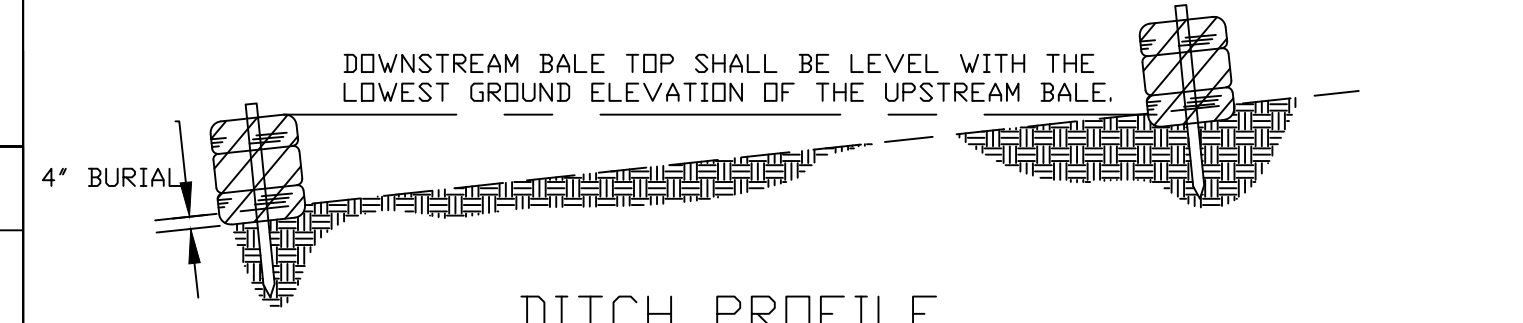


**TRAPEZOIDAL DITCH V-DITCH**

- CRITERIA FOR LOW CONCENTRATED FLOWS**
- DRAINAGE AREAS SHALL BE LESS THAN 1 ACRE.
  - INSTALL TWO STAKES PER BALE.
  - BALES WILL BE TRENCHED 4" DEEP INTO EARTH.
  - MAXIMUM CHANNEL SLOPE OF 3%.
  - SEDIMENTATION TRAPS TO BE USED IN HIGHLY ERODIBLE AREAS.

**CHECK DAM SPACING**

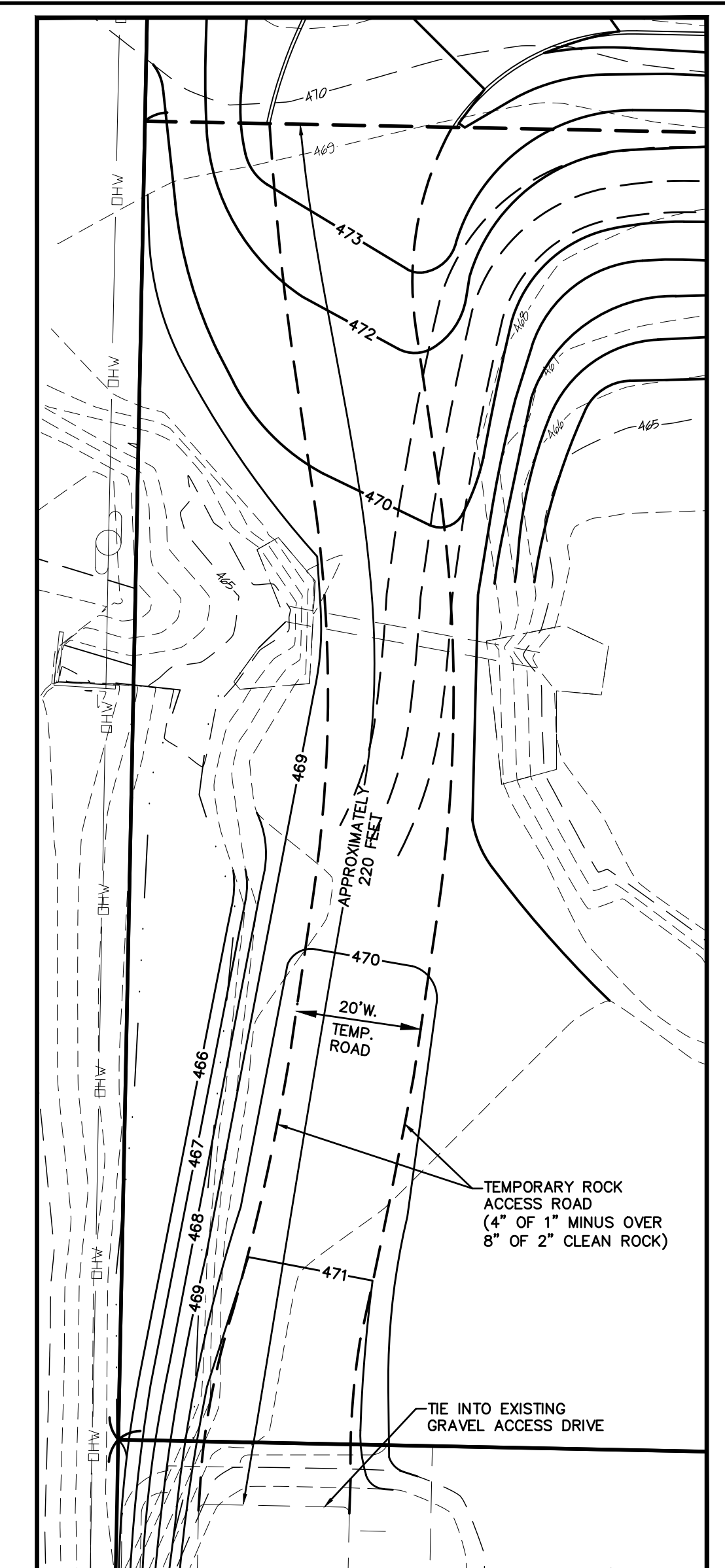
Ditch Slope	Maximum Spacing
3%	50%
2%	75%



**DITCH PROFILE**

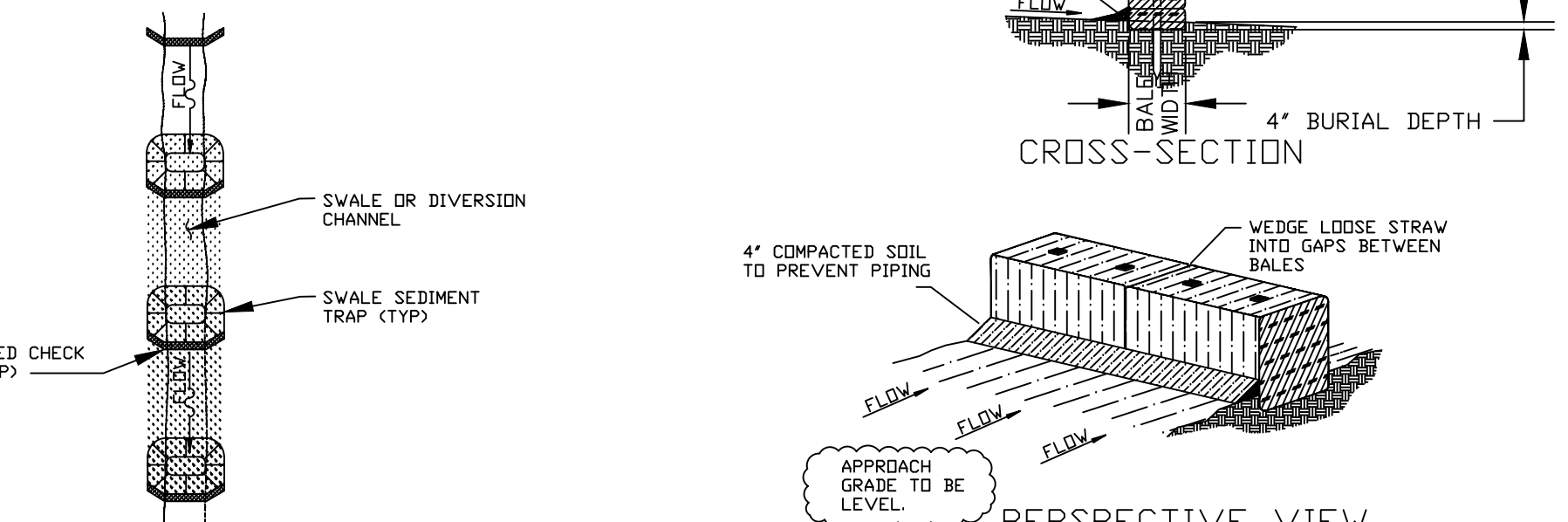
CITY OF O'FALLON  
ENGINEERING DEPARTMENT  
O'FALLON, MISSOURI

**STRAW BALE CHECK DAM**



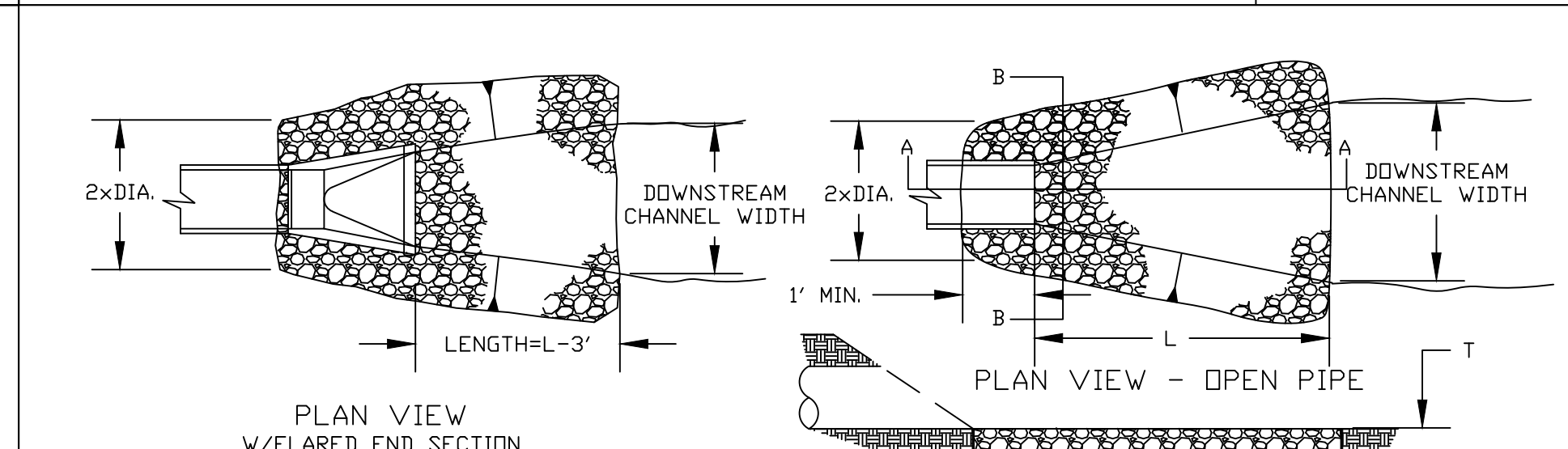
**TEMPORARY ENTRANCE ROAD**  
SCALE: 1" = 20'

- CRITERIA**
- EXCAVATE TRENCH THE WIDTH OF THE BALE AT LEAST 4 INCHES DEEP AND LONG ENOUGH THAT THE END BALES ARE SOMEWHAT UPSLOPE.
  - REFER TO STRAW BALE CHECK DAM DETAIL FOR SPACING AND STRAW BALE USES AS DITCH CHECKS.
  - UPSLOPE FACE OF BALE MUST BE AT LEAST 5' FROM A DISTURBED EMBANKMENT.



**SWALE SEDIMENT TRAP STRAW BALE BARRIER INSTALLATION**

CITY OF O'FALLON  
ENGINEERING DEPARTMENT  
O'FALLON, MISSOURI



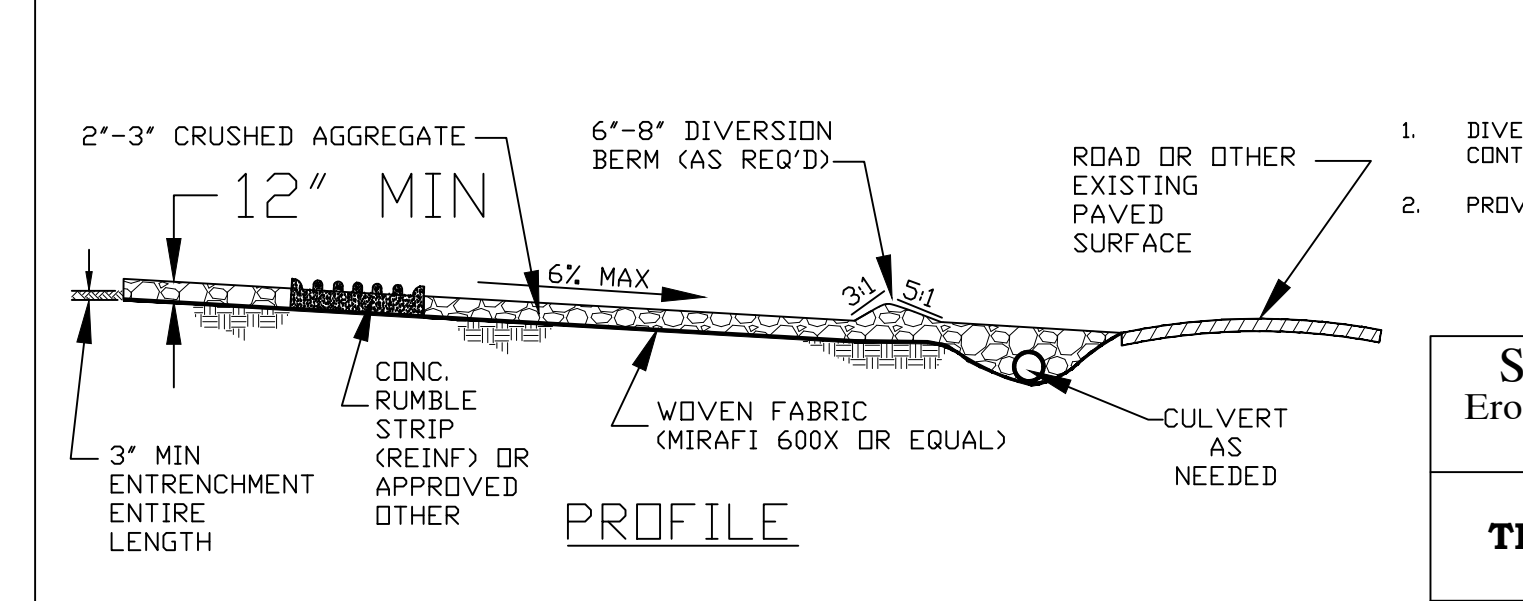
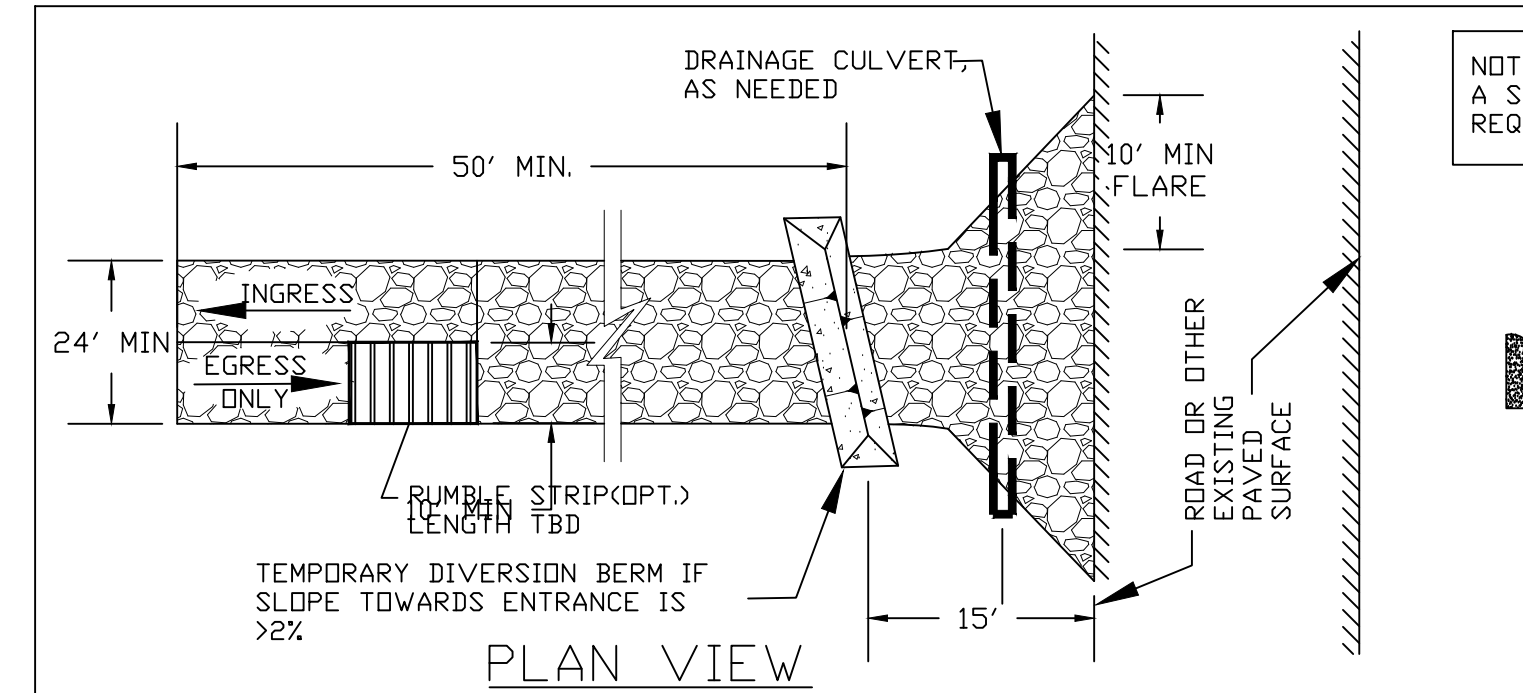
**RIPRAP SIZE & APRON DIMENSION**

PIPE SIZE (inch)	VELOCITY < 5 FPS			VELOCITY < 10 FPS		
	ROCK SIZE (inch)	APRON DIM (inch)	ROCK SIZE (inch)	APRON DIM (inch)	ROCK SIZE (inch)	APRON DIM (inch)
12	5	9	15	12	5	9
15	5	9	15	14	5	9
18-24	5	9	15	16	9	14
27-30	9	15	18	17	14	24
36-42	14	24	22	18	18	27
48-54	14	24	26	18	18	27
60-66	12	18	27	34	15	24
72-84	15	24	30	42	15	24
96	18	27	30	50	18	27

- DESIGN CRITERIA**
- FROUDE NUMBER MUST BE < 2.50.
  - USE 3 TIMES PIPE DIAMETER FOR DOWNSTREAM CHANNEL WIDTH IF THERE IS NO DEFINED CHANNEL.
  - BANK PROTECTION HEIGHT TO BE 2/3 TIMES PIPE DIAMETER.
  - ROCK SLOPES SHALL BE NO STEEPER THAN 3:1.

CITY OF O'FALLON  
ENGINEERING DEPARTMENT  
O'FALLON, MISSOURI

**TEMPORARY OUTLET PIPE DISCHARGE PROTECTION**



- DESIGN NOTES**
- DIVERT ALL RUNOFF TO A SEDIMENTATION CONTROL DEVICE.
  - PROVIDE WATER SUPPLY FOR WASHDOWN.

St. Charles County  
Erosion & Sediment Controls  
Standard Drawings

**CONSTRUCTION TRAFFIC WASH-OFF PAD**

DATE: APRIL 2008 DRAWING: ESC-4

**PROJECT TITLE:**  
Anjon Manufacturing  
South Cool Springs Road

**ENGINEERING PLANNING SURVEYING**  
221 Point View Blvd.  
St. Charles, MO 63301  
636-928-5662 FAX 928-1718

**DISCLAIMER OF RESPONSIBILITY**  
I hereby specify that the documents intended to be authorized by my seal are limited to this sheet, and I hereby disclaim any responsibility for all other drawings, specifications, estimates, reports or other documents or instruments relating to or intended to be used for any part or parts of the architectural or engineering project or survey.

**REFERENCE ONLY**

**REVISIONS**

NO.	DATE	DESCRIPTION
06-09-22	CITY COMMENTS	
06-27-22	CITY COMMENTS	
07-06-22	CITY COMMENTS	
08-23-22	CITY COMMENTS	
09-16-22	CITY COMMENTS	
11-22-22	CLIENT REVISIONS	
12-01-22	CITY COMMENTS	
01-25-23	CLIENT REVISIONS	

**Owner:** Lottes Springs, LLC  
1000 Liberty Industrial Drive  
O'Fallon, MO 63366  
800-553-5605

**P+Z No.:** #21-011066  
**Approval Date:** 02-07-22

**City No.:**  
**Page No.:** C10

**DETAILS**

Box Project # 99-106393 Issue Date: 04/01/2022