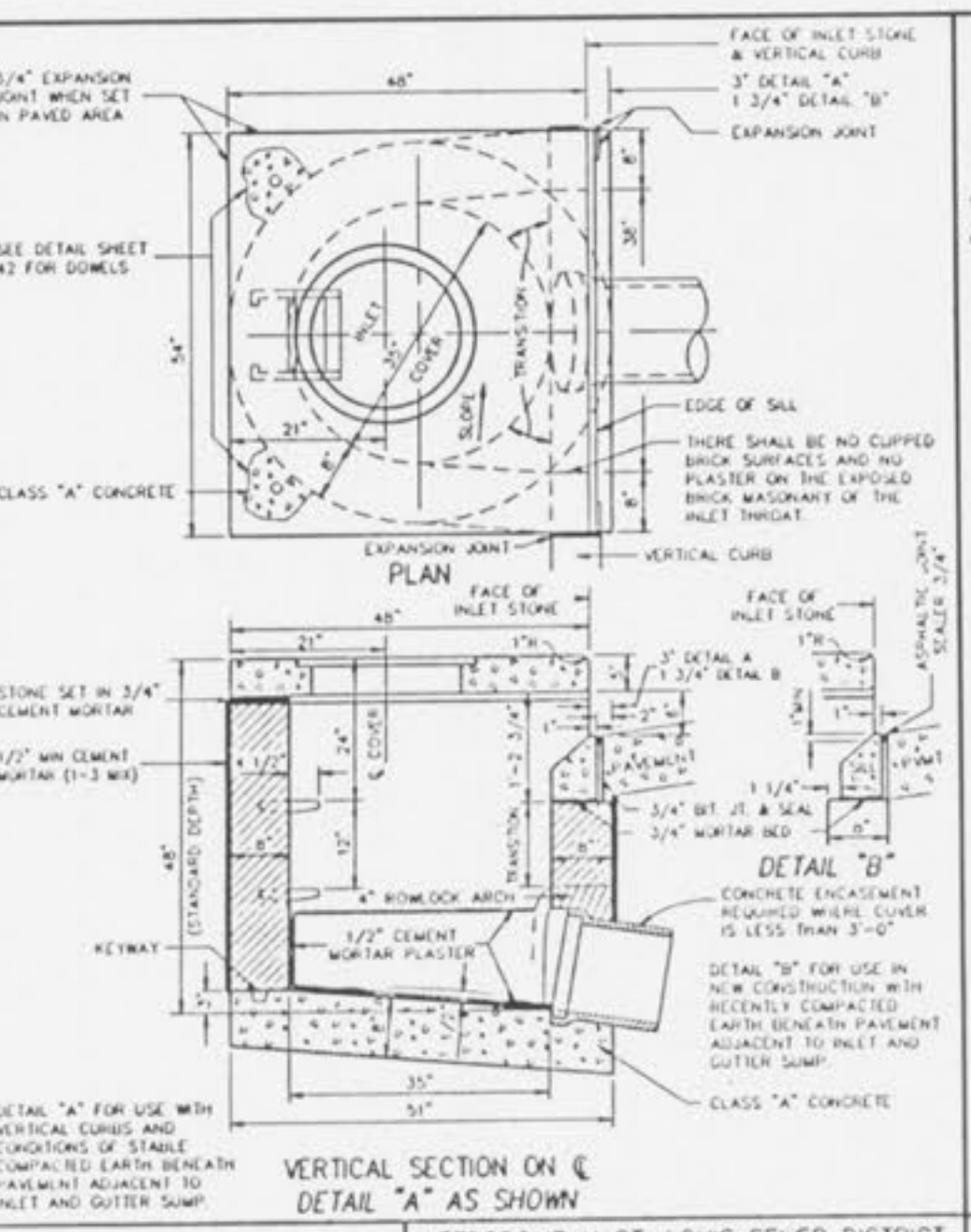
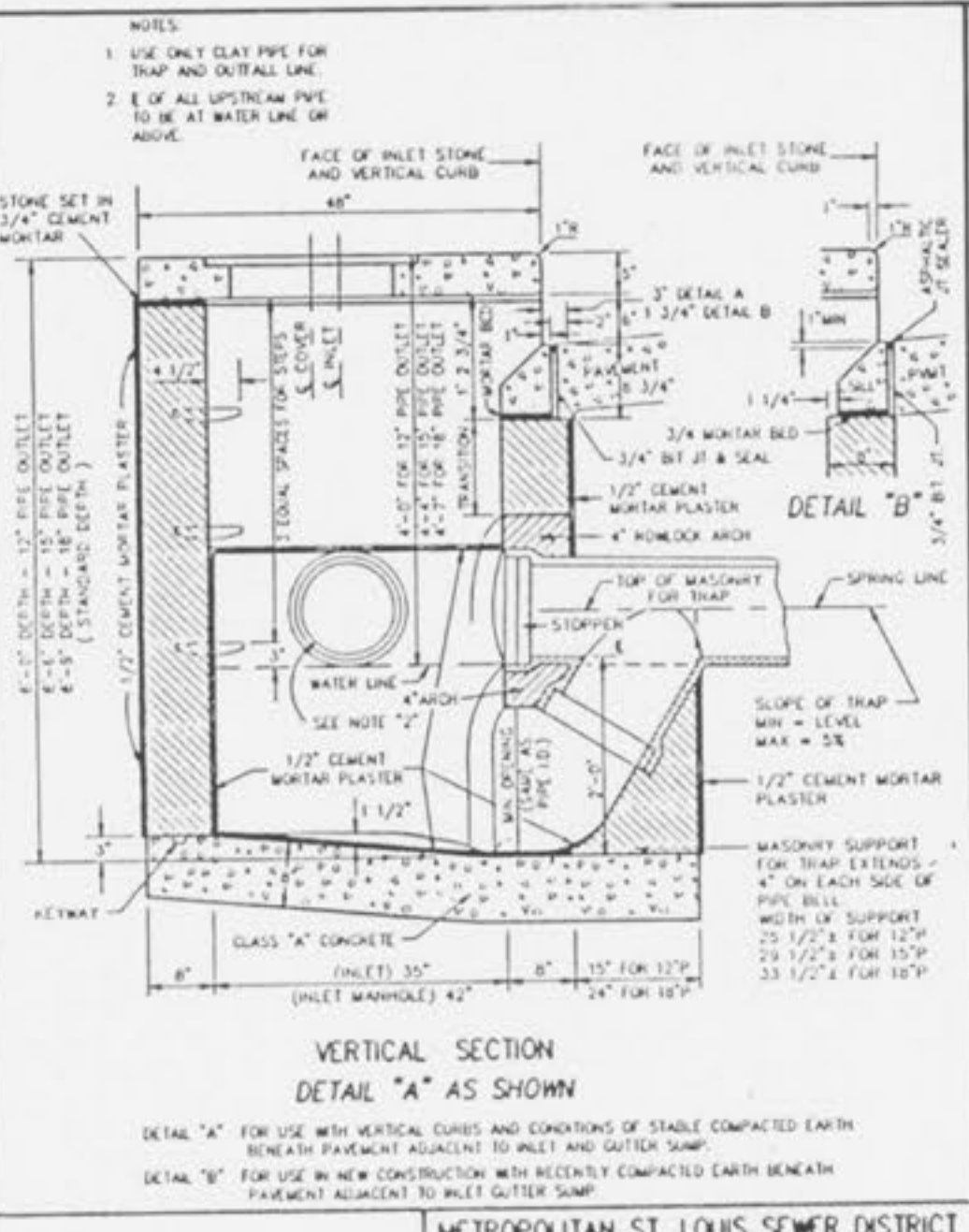


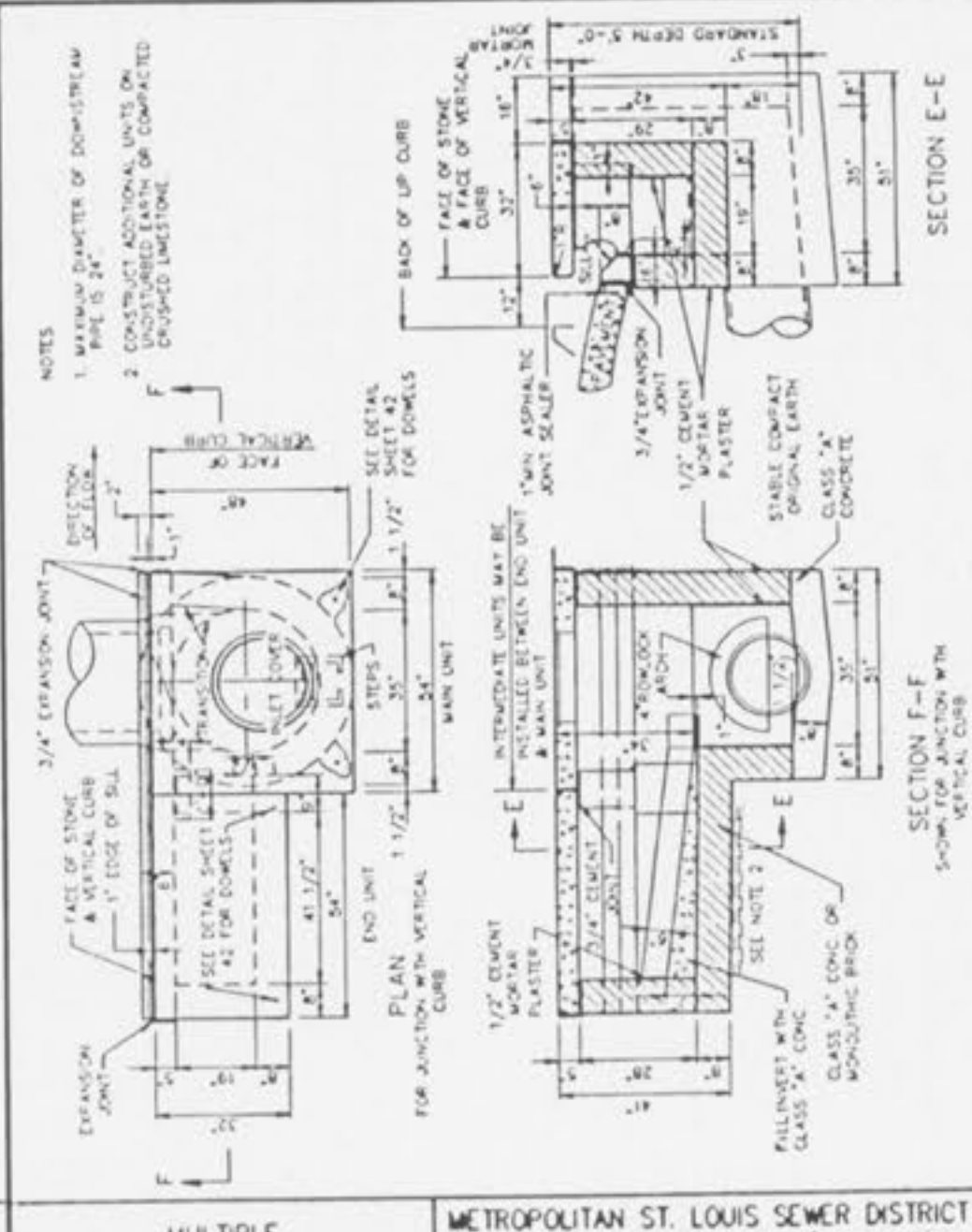
TYPICAL PRE-CAST MH. TEE FOR REINFORCED CONCRETE PIPE SEWERS 48\"/>



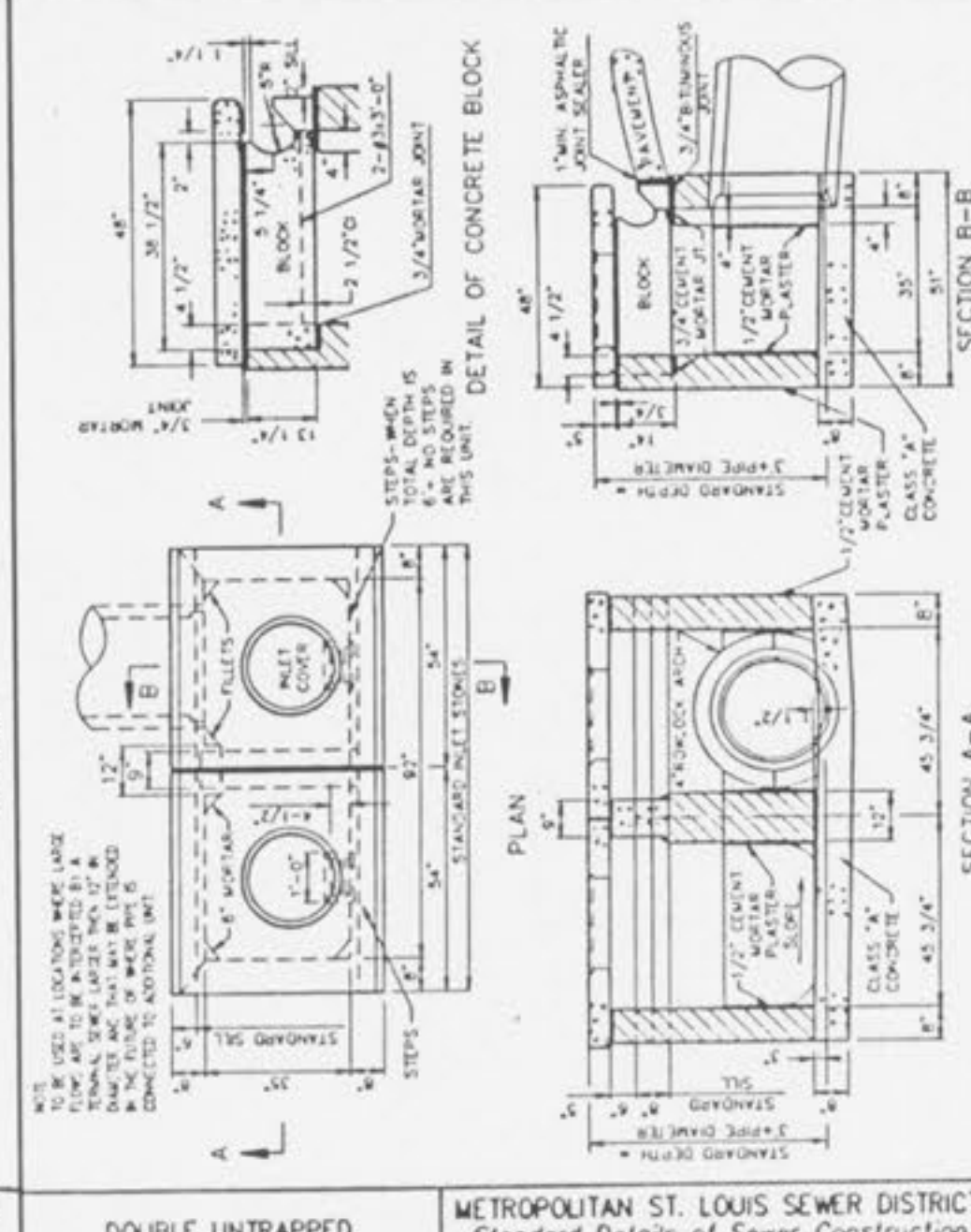
UNTRAPPED STREET INLET BRICK CONSTRUCTION



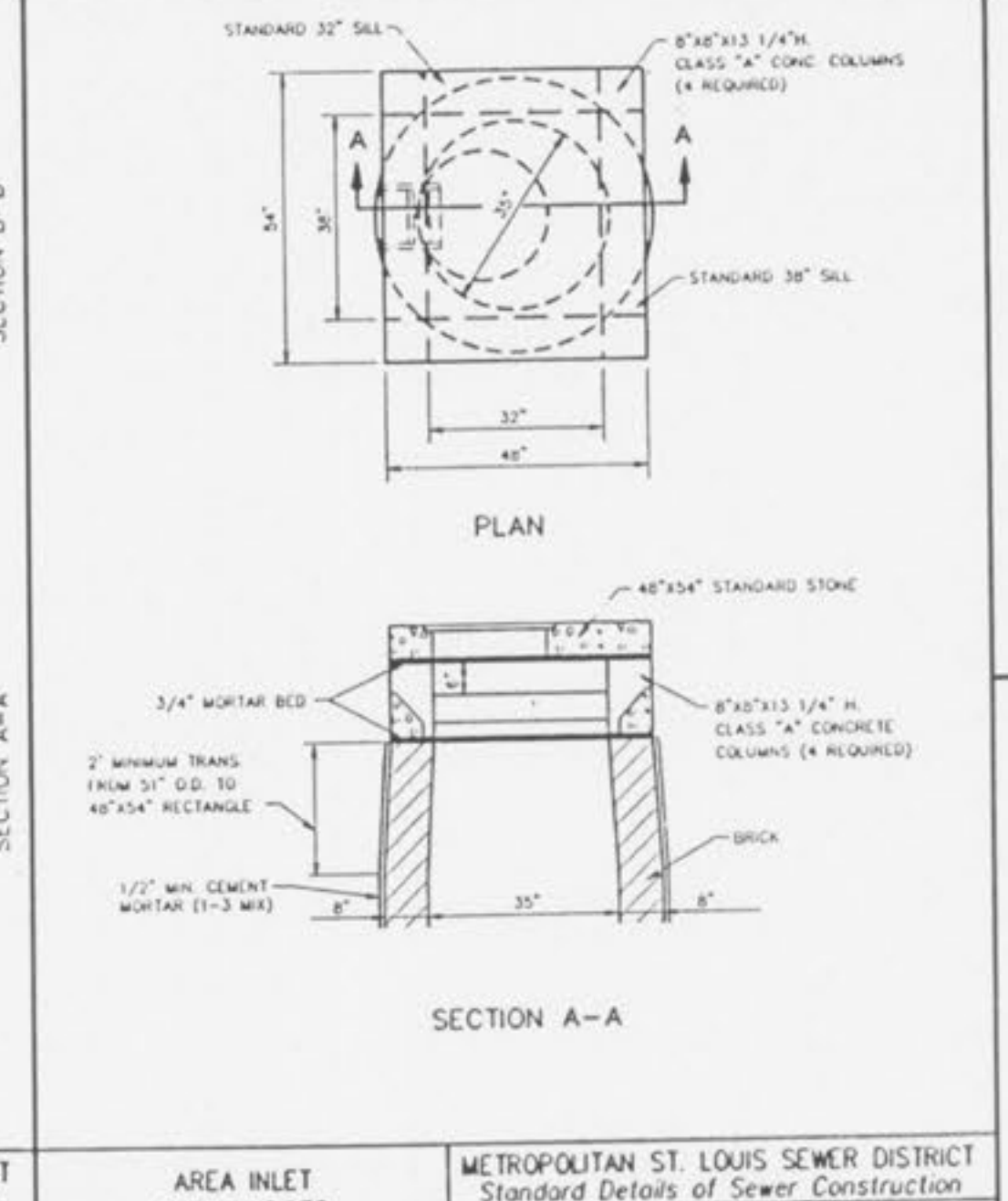
TRAPPED STREET INLET BRICK CONSTRUCTION



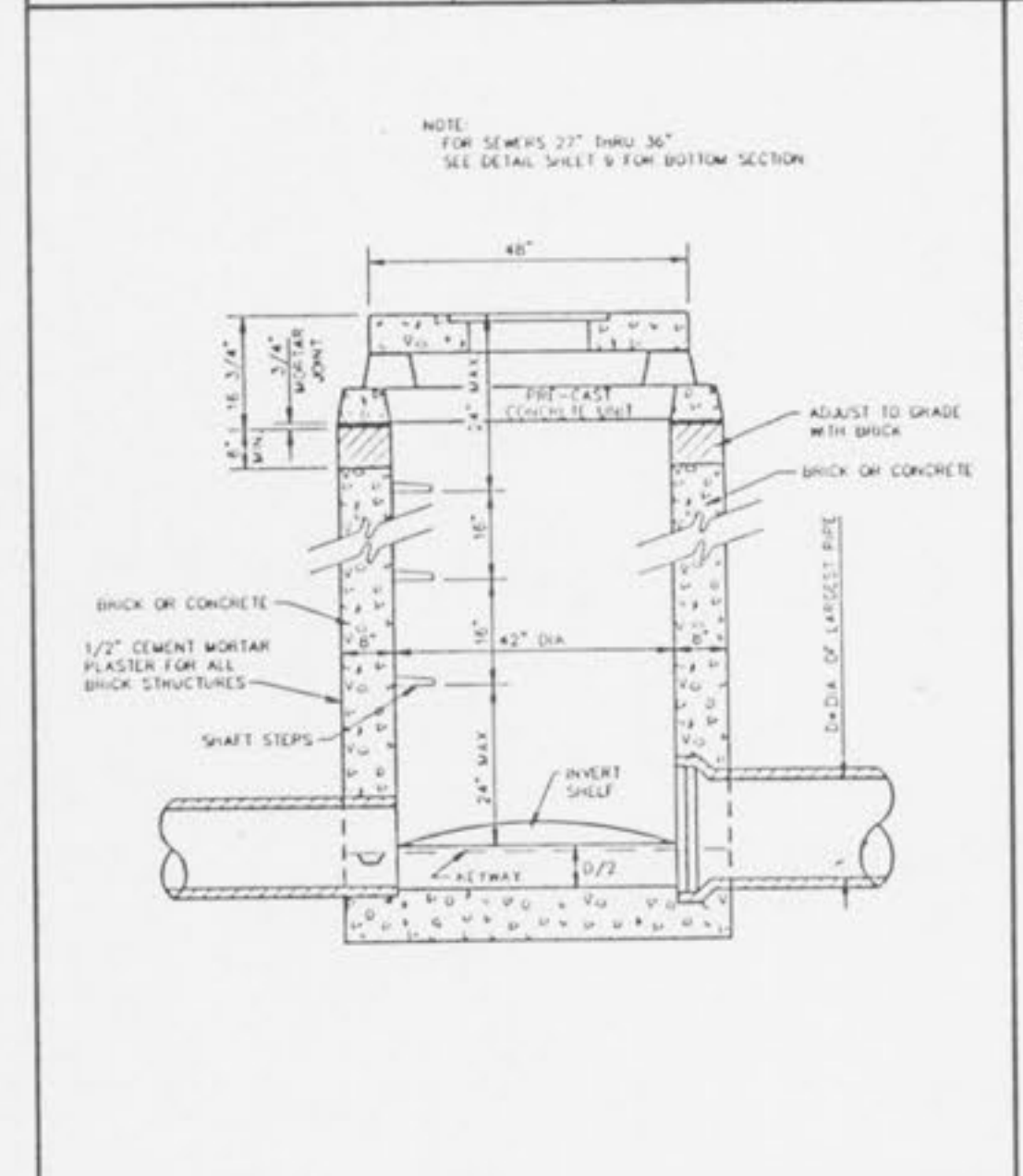
MULTIPLE STREET INLET BRICK CONSTRUCTION



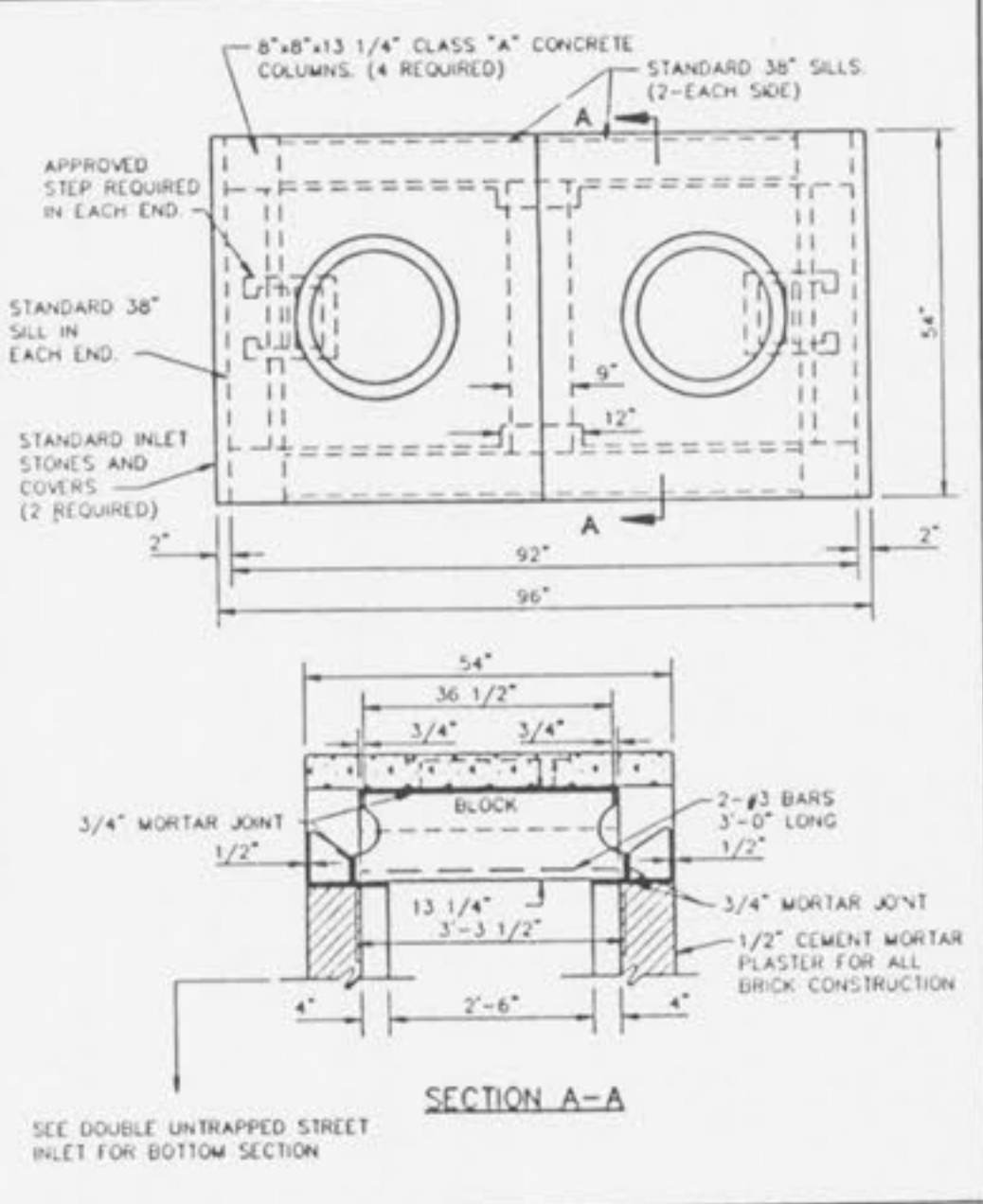
DOUBLE UNTRAPPED STREET INLET BRICK CONSTRUCTION



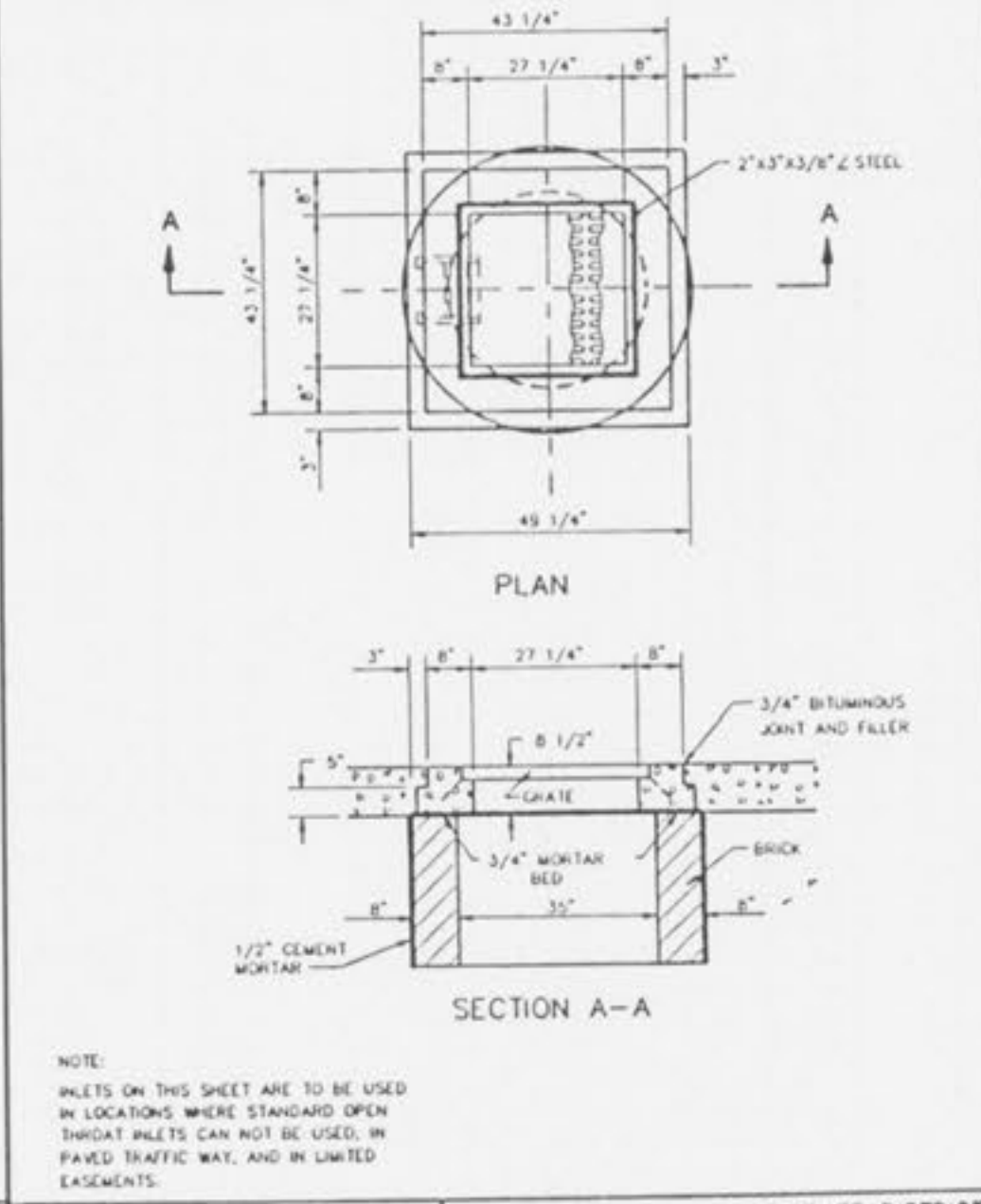
AREA INLET OPEN 4 SIDES BRICK CONSTRUCTION



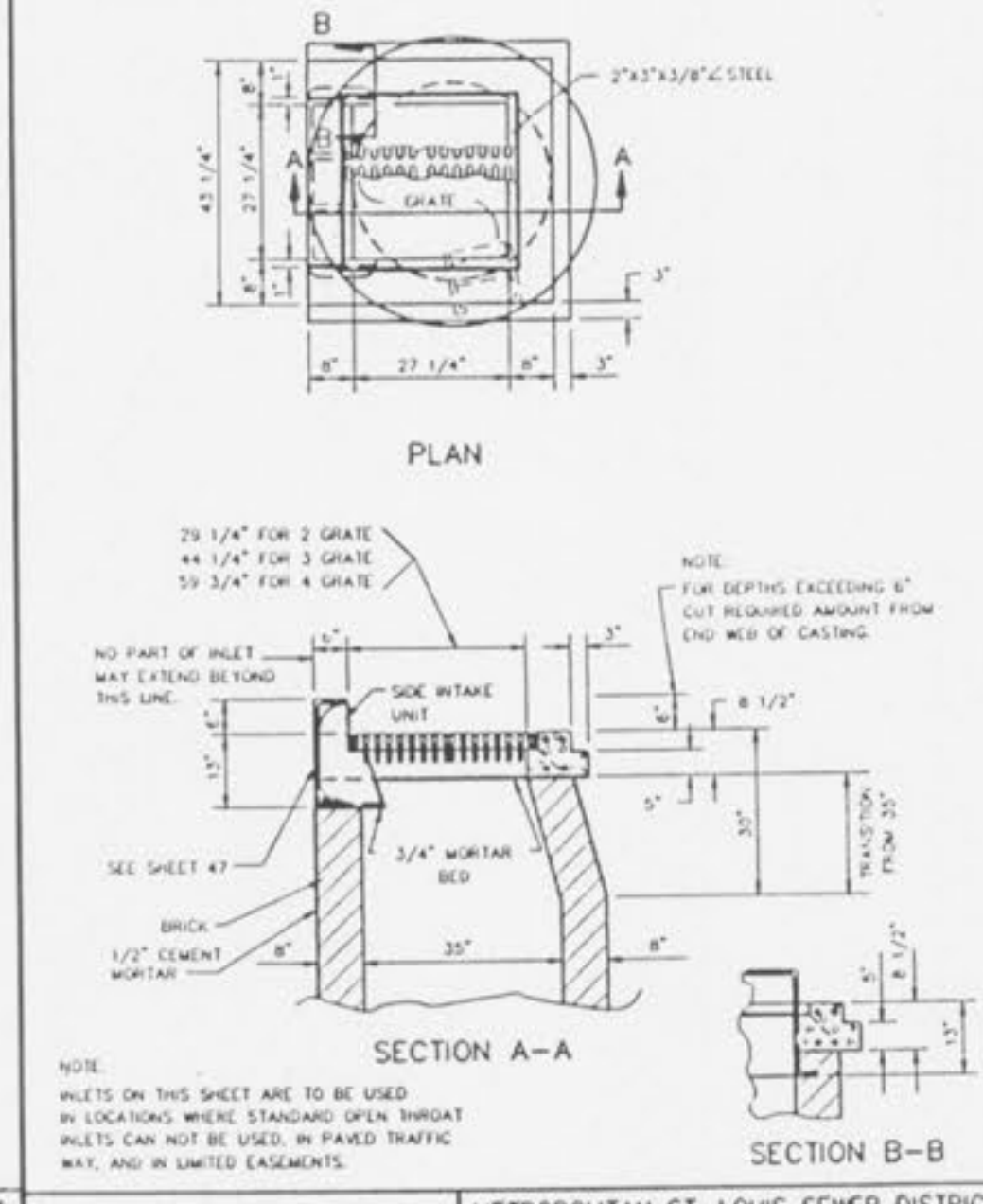
AREA INLET MANHOLE (12\"/>



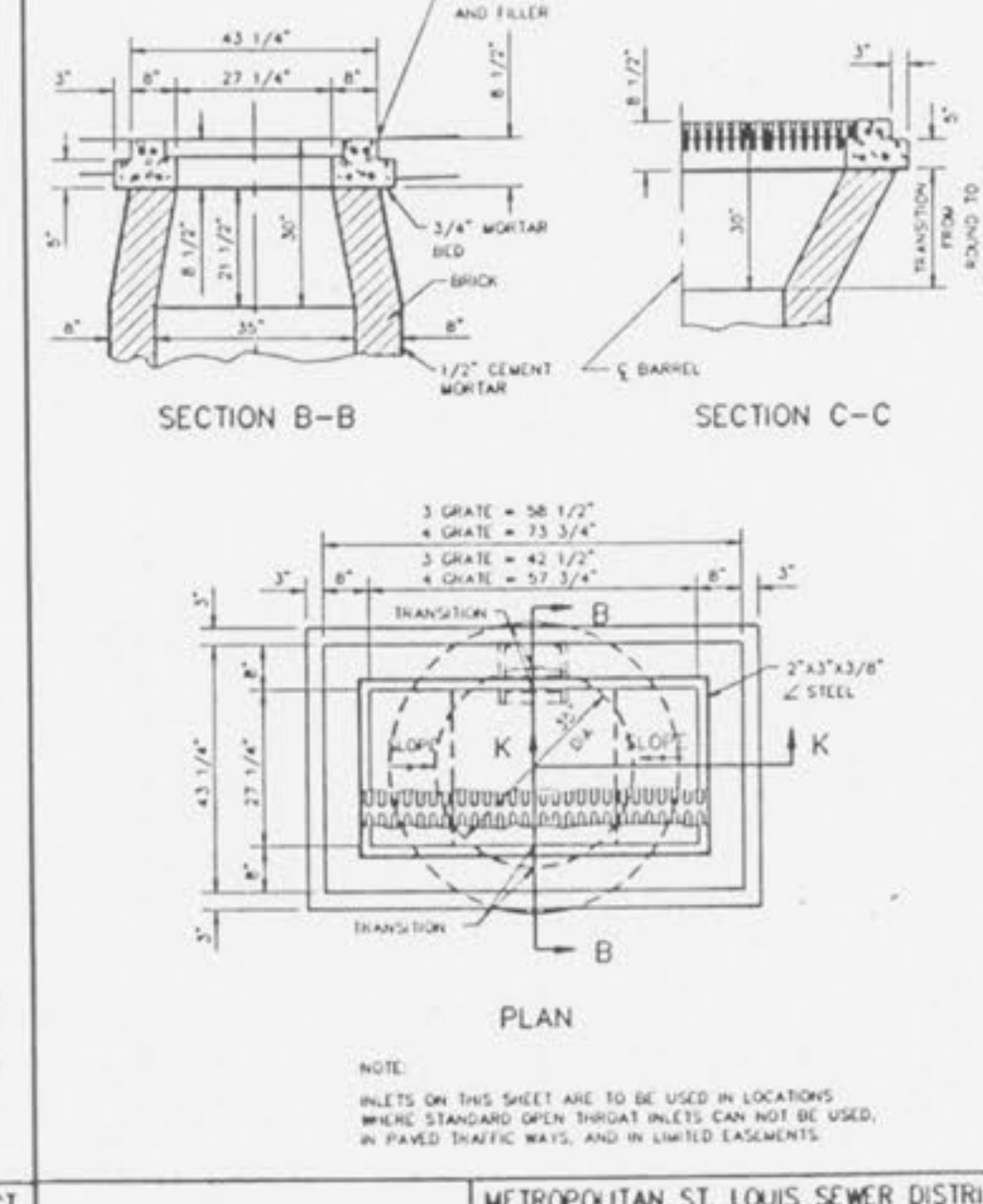
DOUBLE AREA INLET OPEN 4 SIDES BRICK CONSTRUCTION



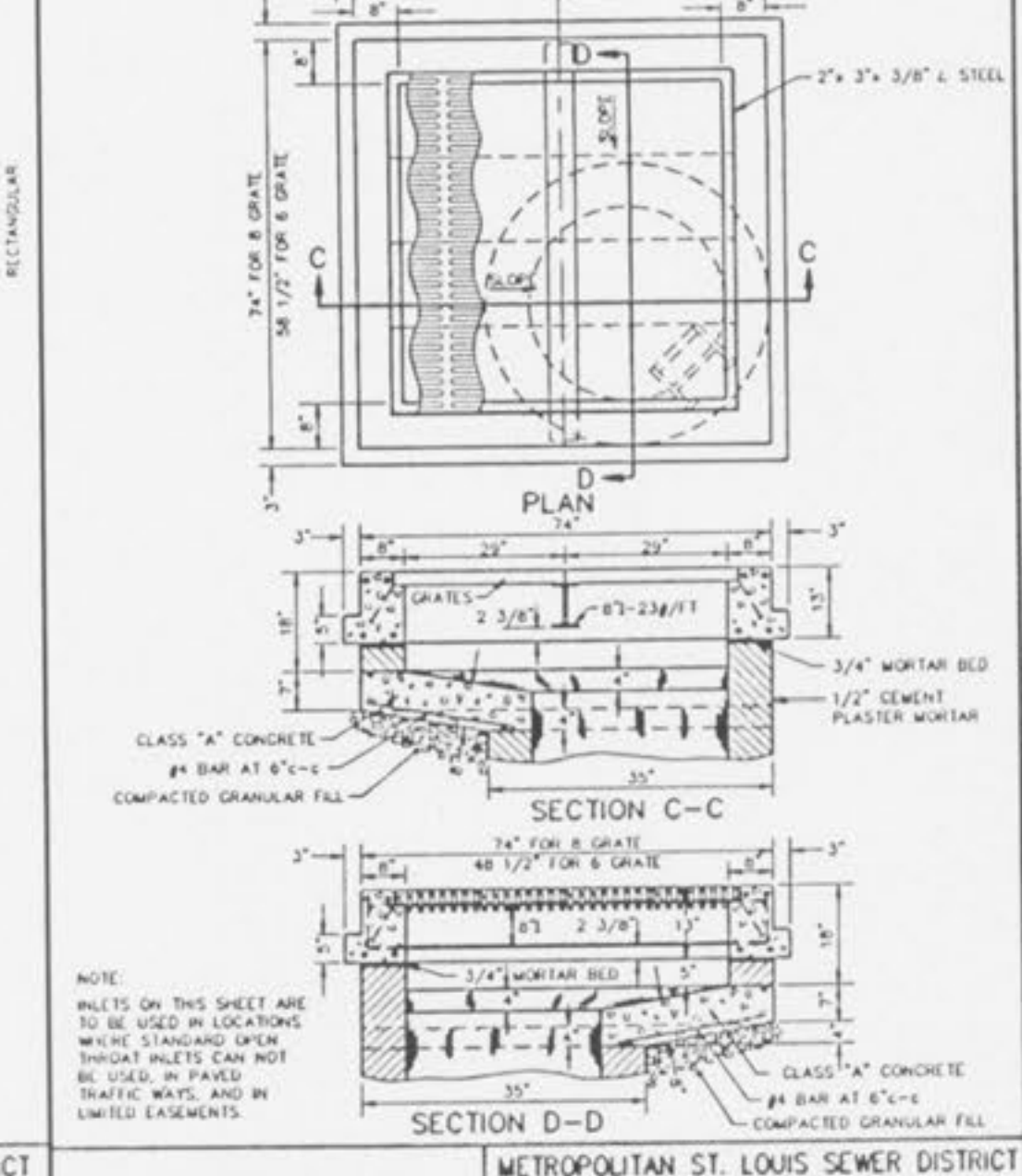
2 GRATE INLET BRICK CONSTRUCTION



2 GRATE INLET WITH SIDE INTAKE BRICK CONSTRUCTION



3 & 4 GRATE INLET BRICK CONSTRUCTION



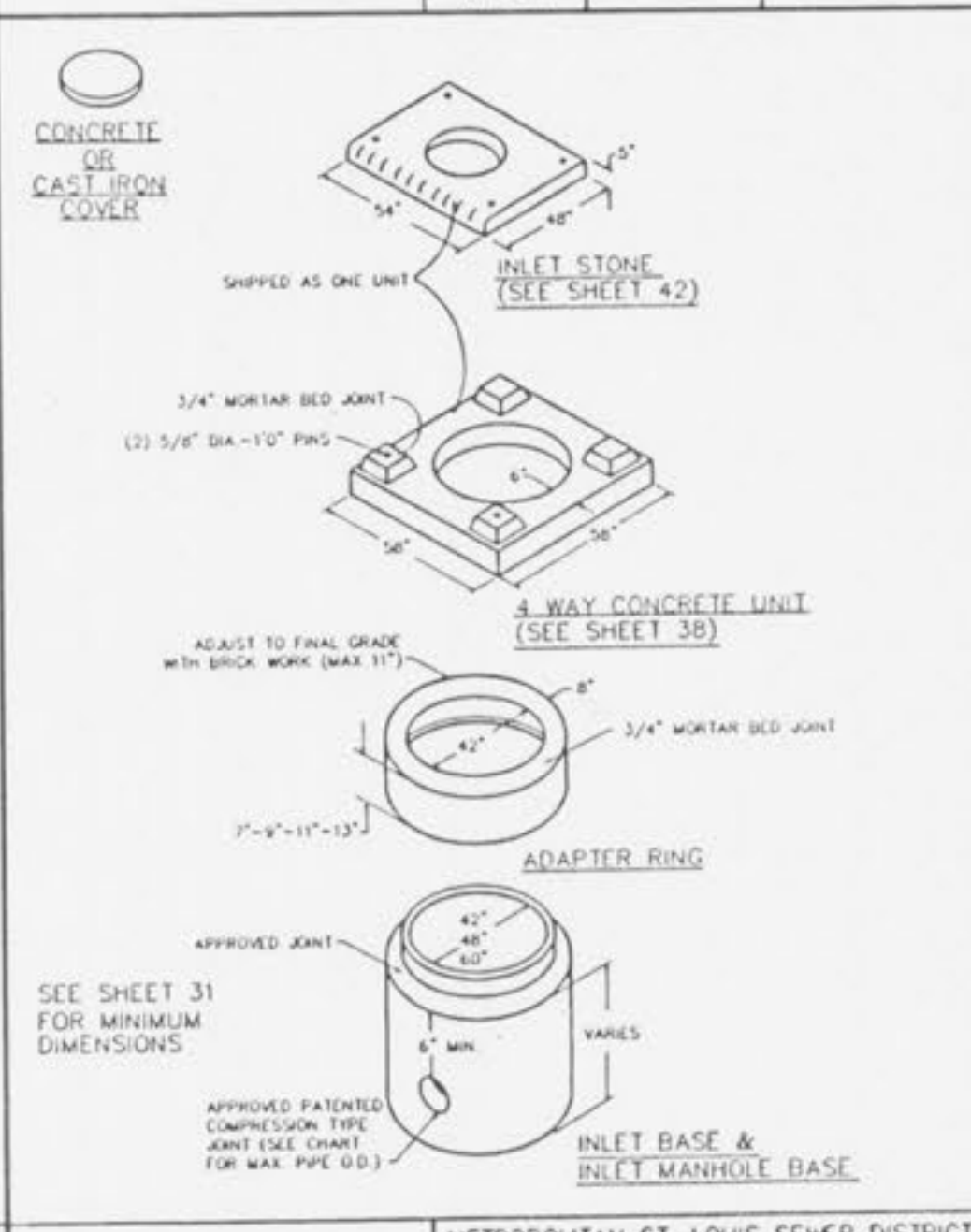
6 & 8 GRATE INLET BRICK CONSTRUCTION

PRECAST CONCRETE STORMWATER STRUCTURES

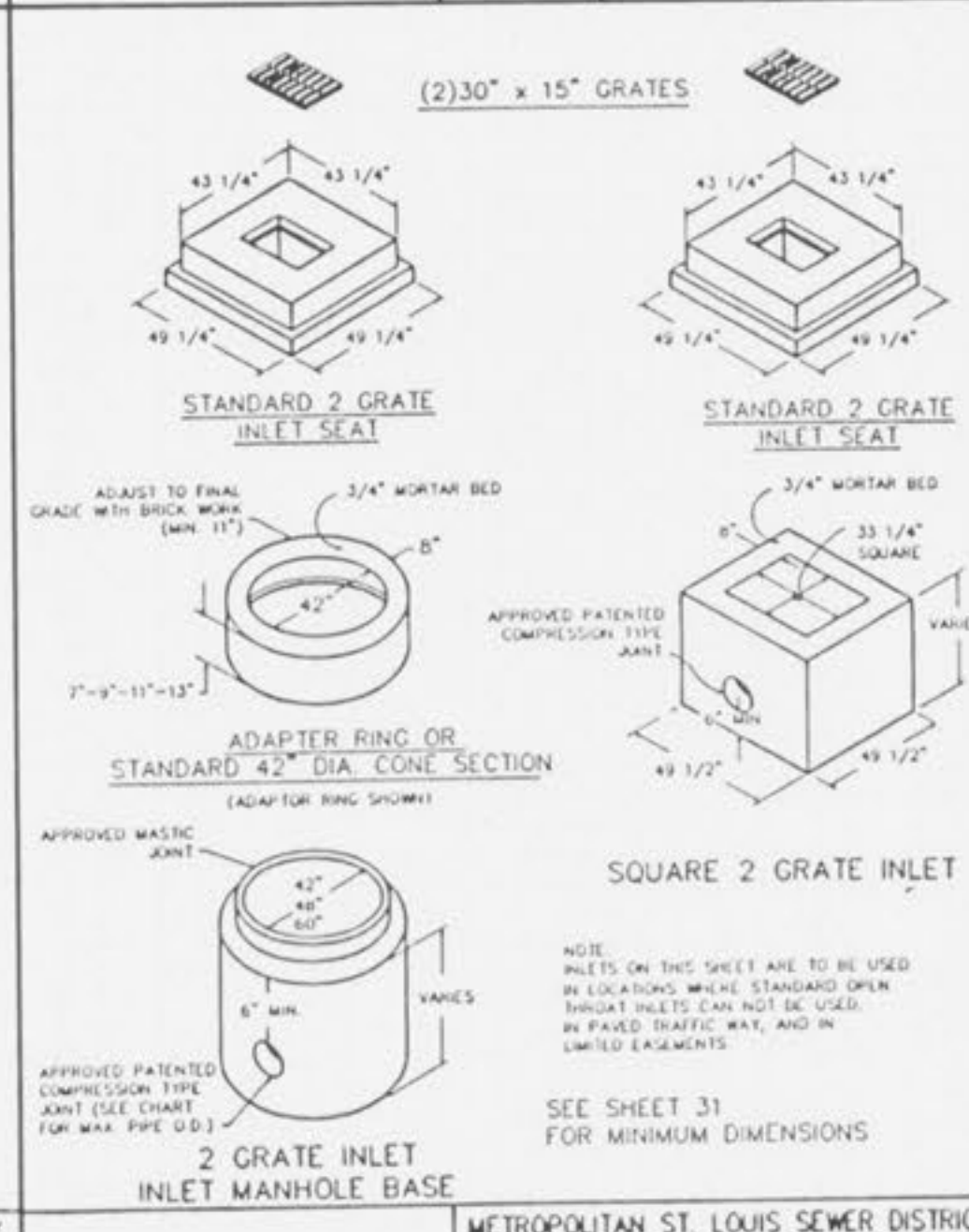
MINIMUM DISTANCE FLOWLINE TO TOP OF STONE OR GRATE

PIPE ID NOMINAL INCHES	AREA INLET		2 GRATE INLET		SINGLE STREET INLET	
	CIRCULAR BASE DIA.	AREA	CIRCULAR BASE DIA.	SQUARE	CIRCULAR BASE DIA.	MIN. ANGLE (MAX.)
12"	42"	40"	42"	40"	42"	40"
15"	48"	41"	48"	41"	48"	41"
18"	54"	44"	54"	44"	54"	44"
21"	60"	47"	60"	47"	60"	47"
24"	66"	51"	66"	51"	66"	51"
27"	72"	54"	72"	54"	72"	54"
30"	78"	58"	78"	58"	78"	58"
33"	84"	62"	84"	62"	84"	62"

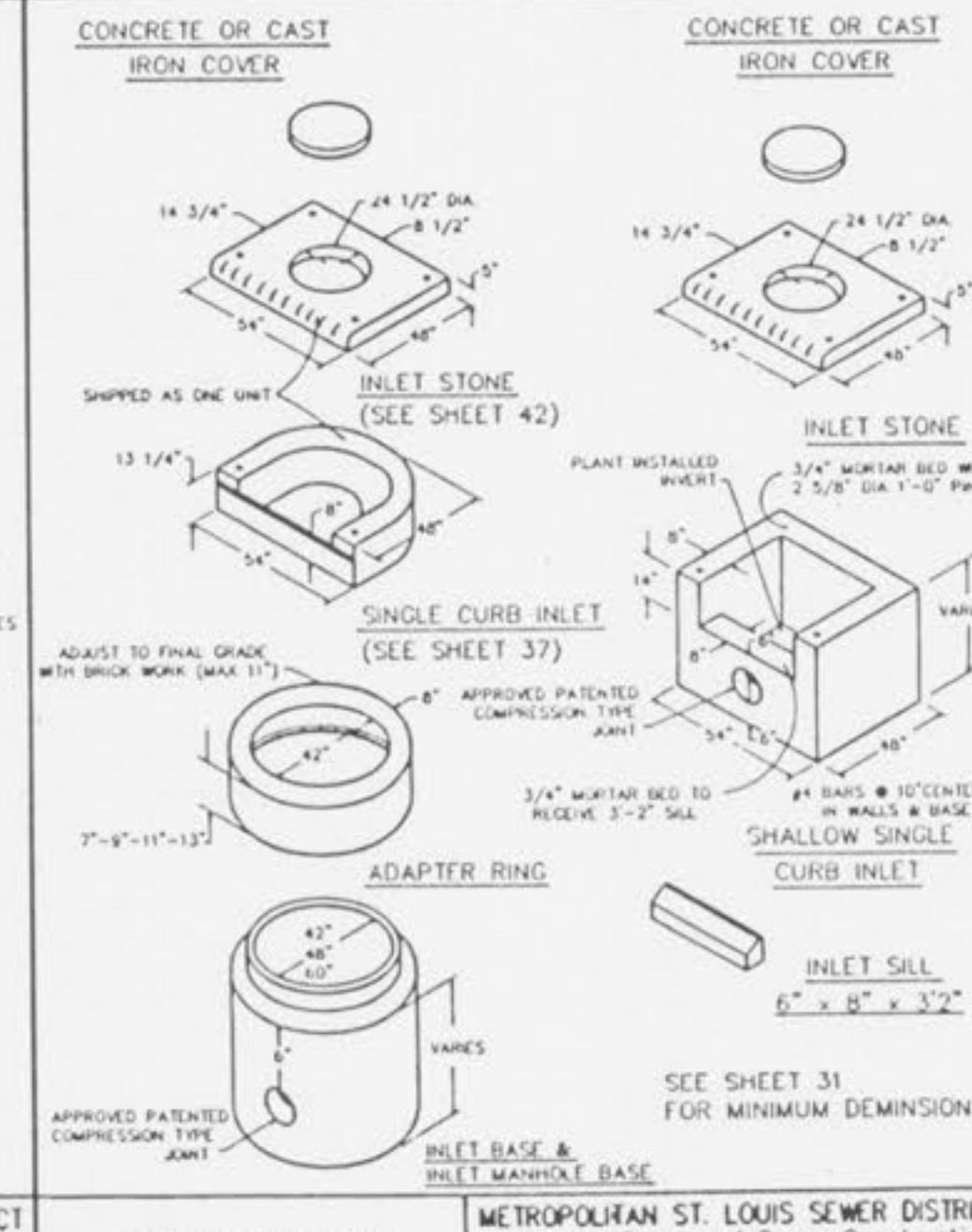
NOTE: 1. 48\"/>



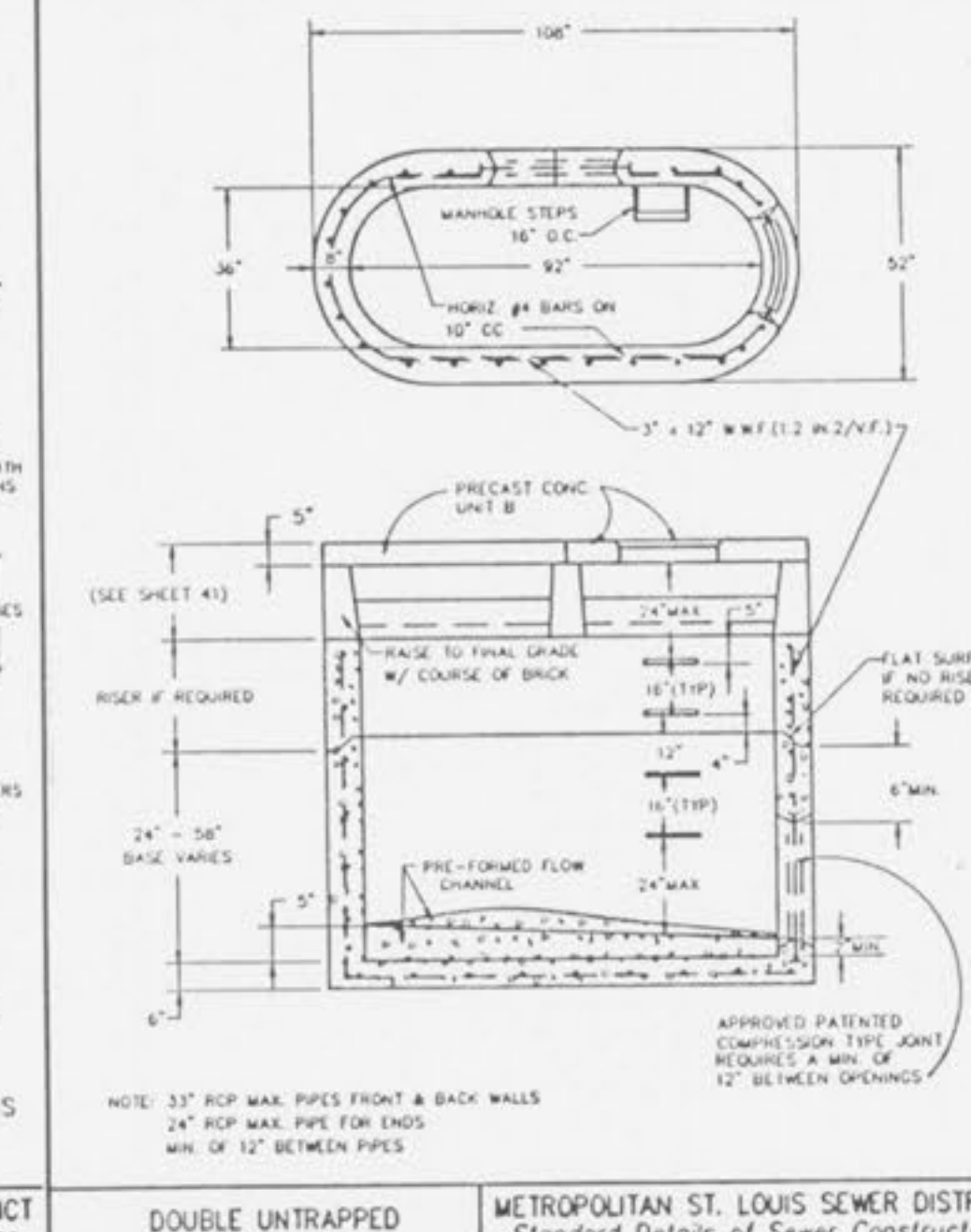
AREA INLET PRECAST CONCRETE



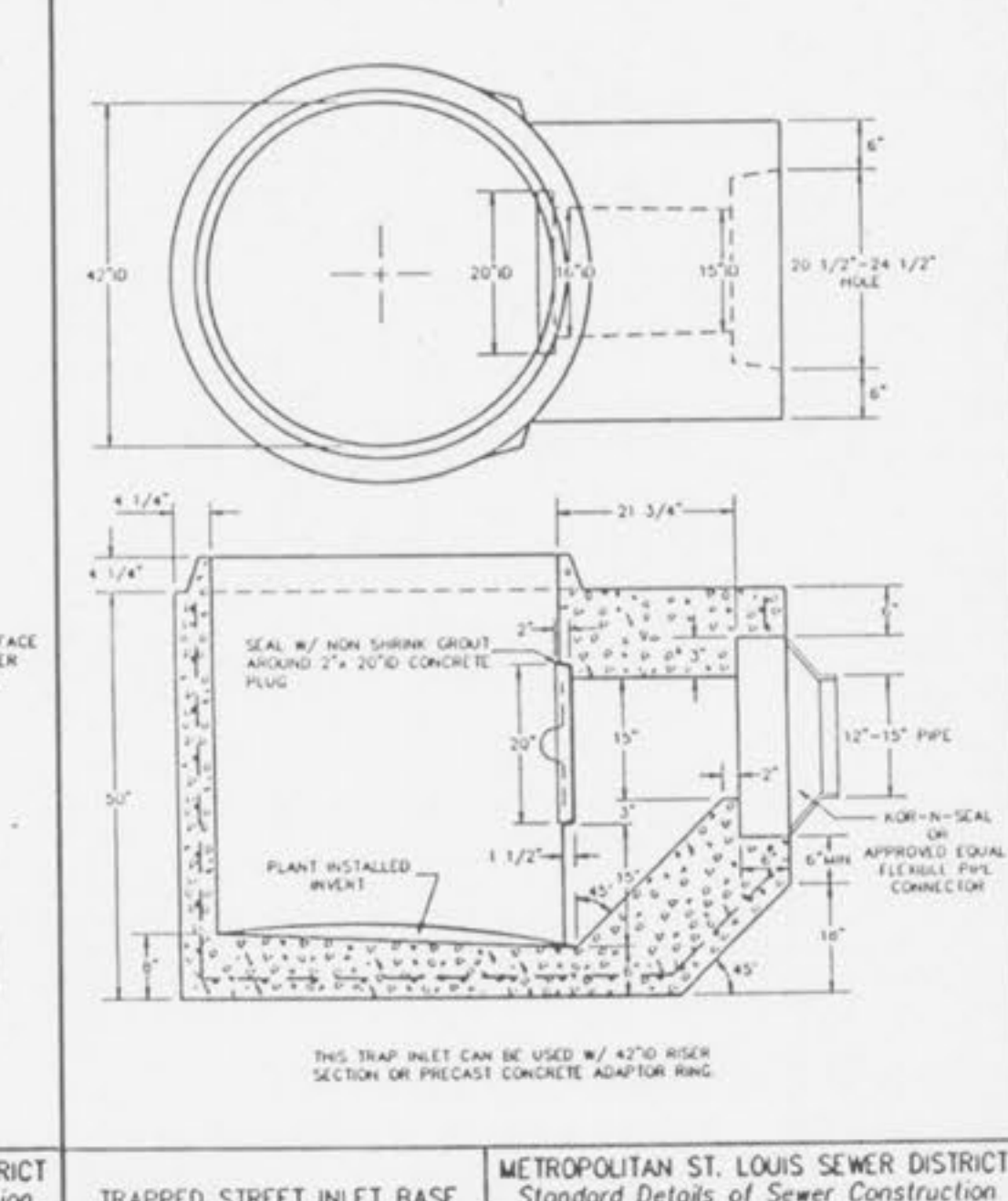
2 GRATE INLETS PRECAST CONCRETE



SINGLE STREET INLETS PRECAST CONCRETE



DOUBLE UNTRAPPED STREET INLET PRECAST CONCRETE



TRAPPED STREET INLET BASE PRECAST CONCRETE