

STANDARD 30" SILL  
CLASS "A" CONCRETE COLUMNS (4 REQUIRED)

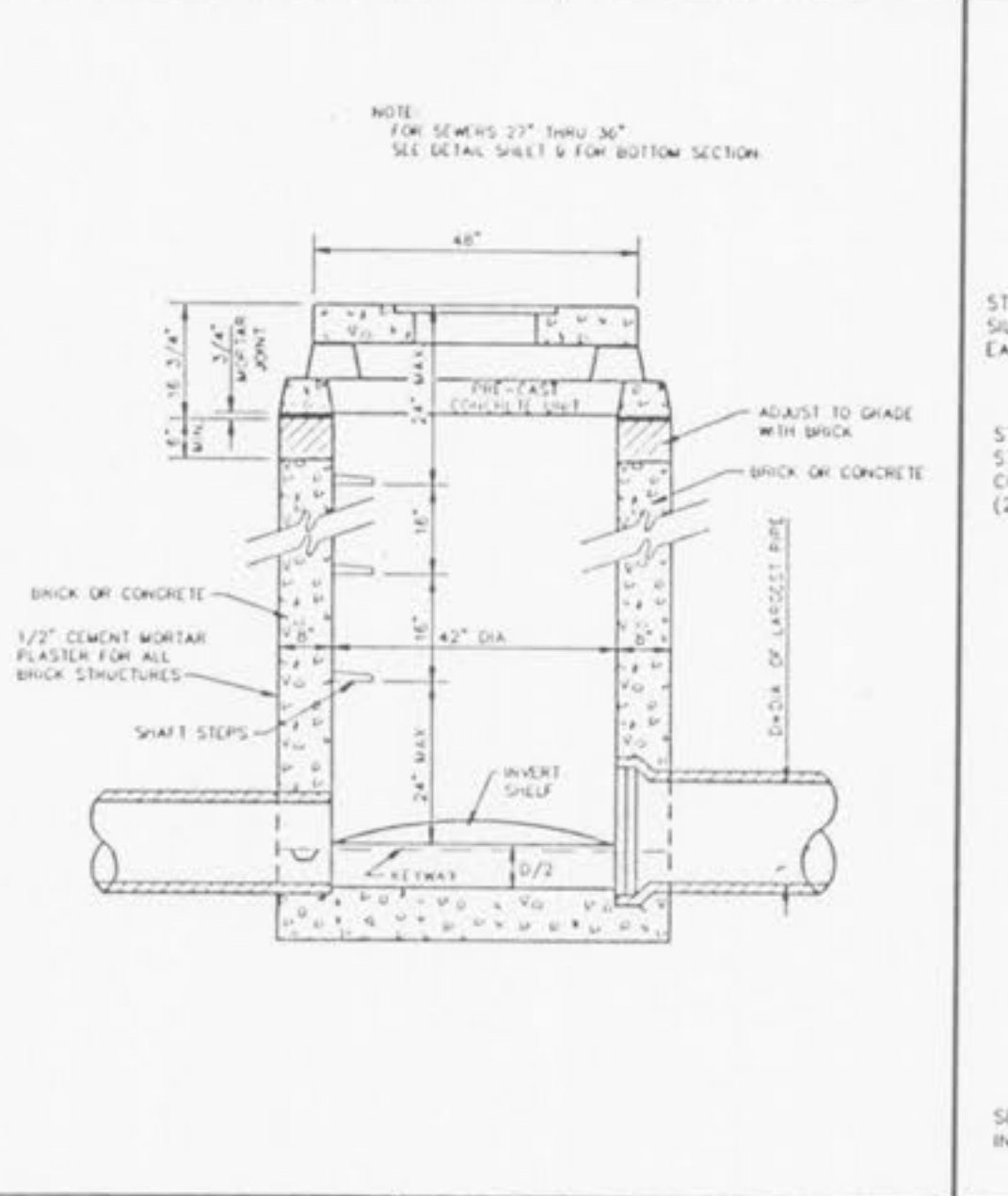
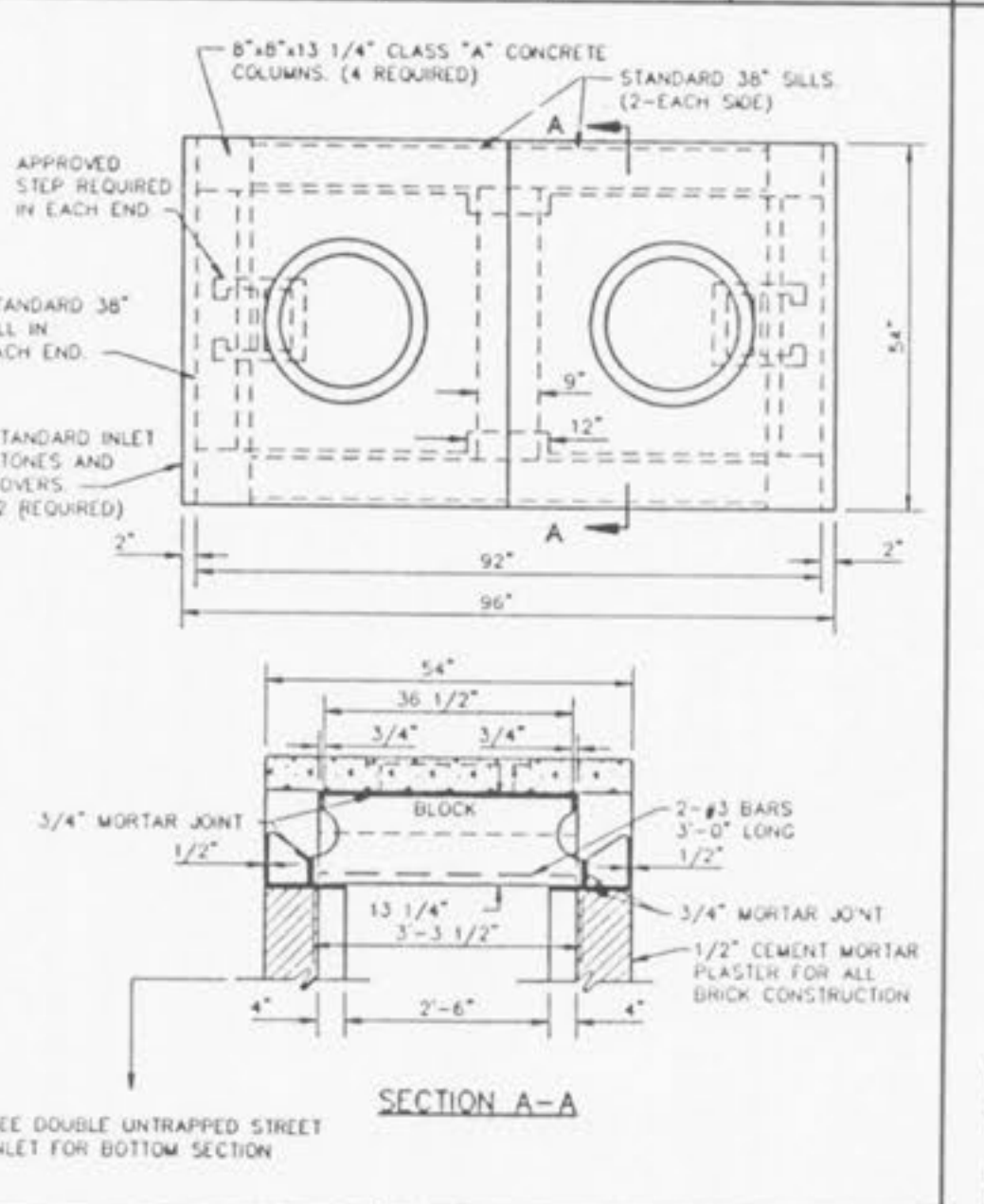
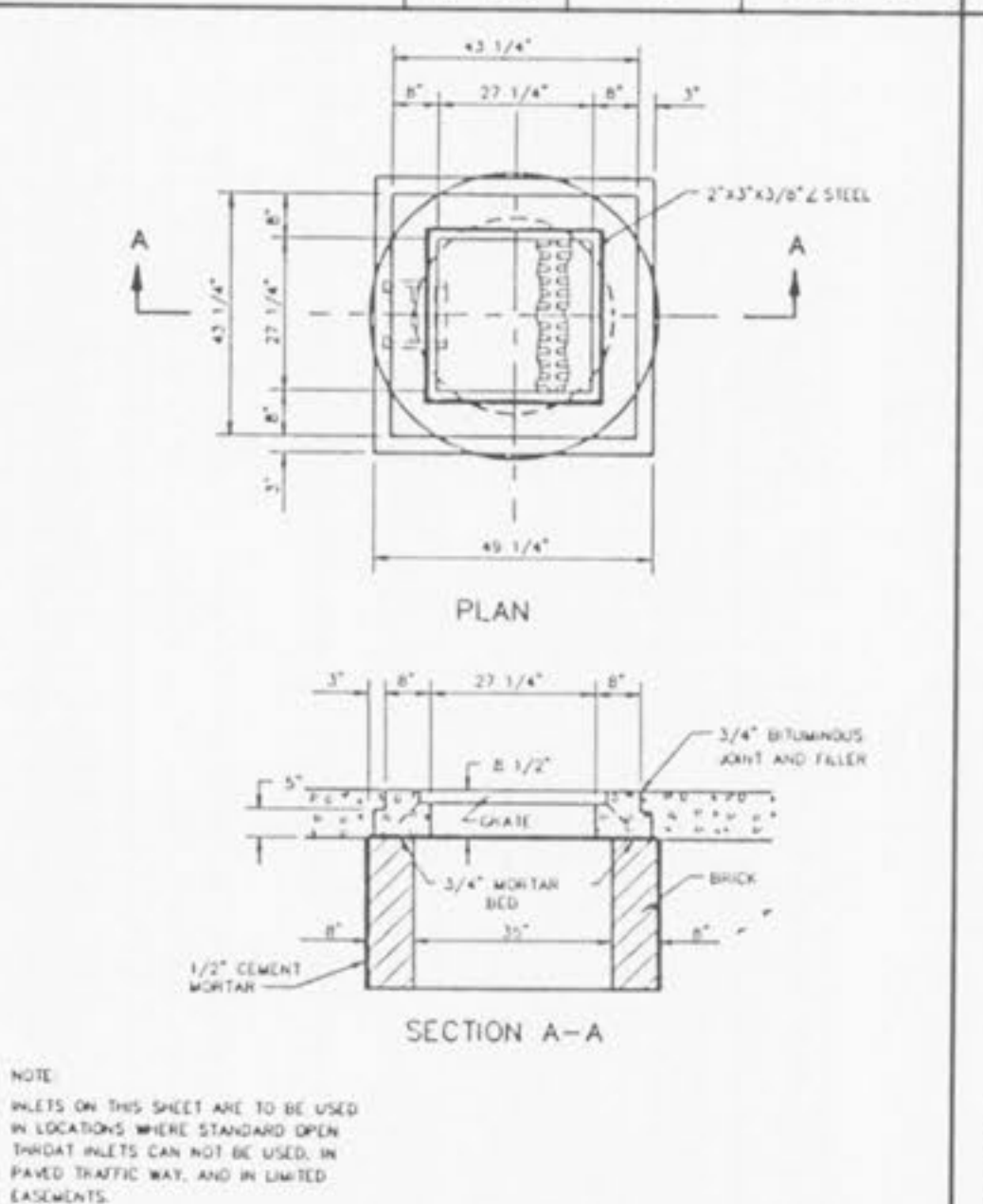
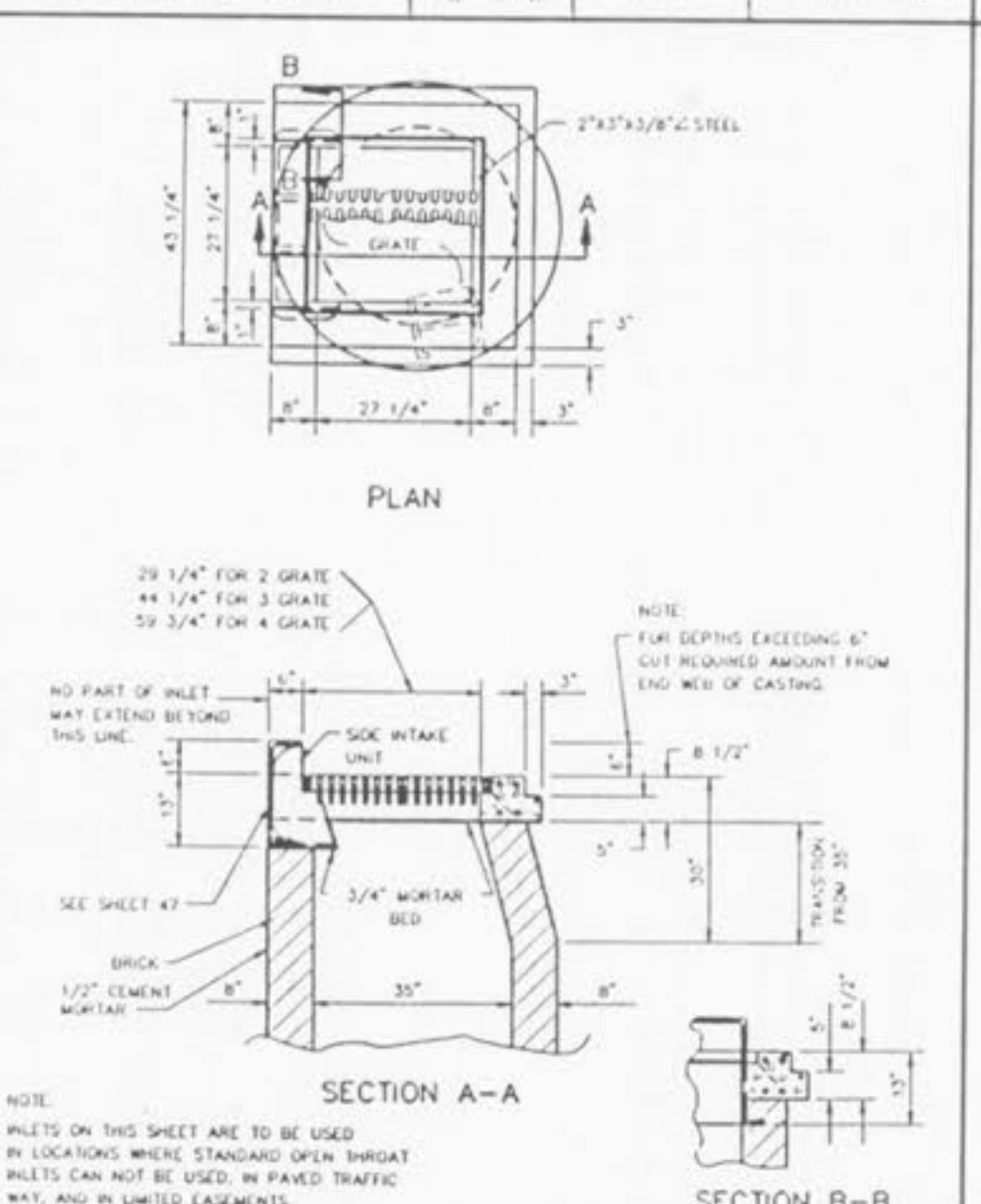
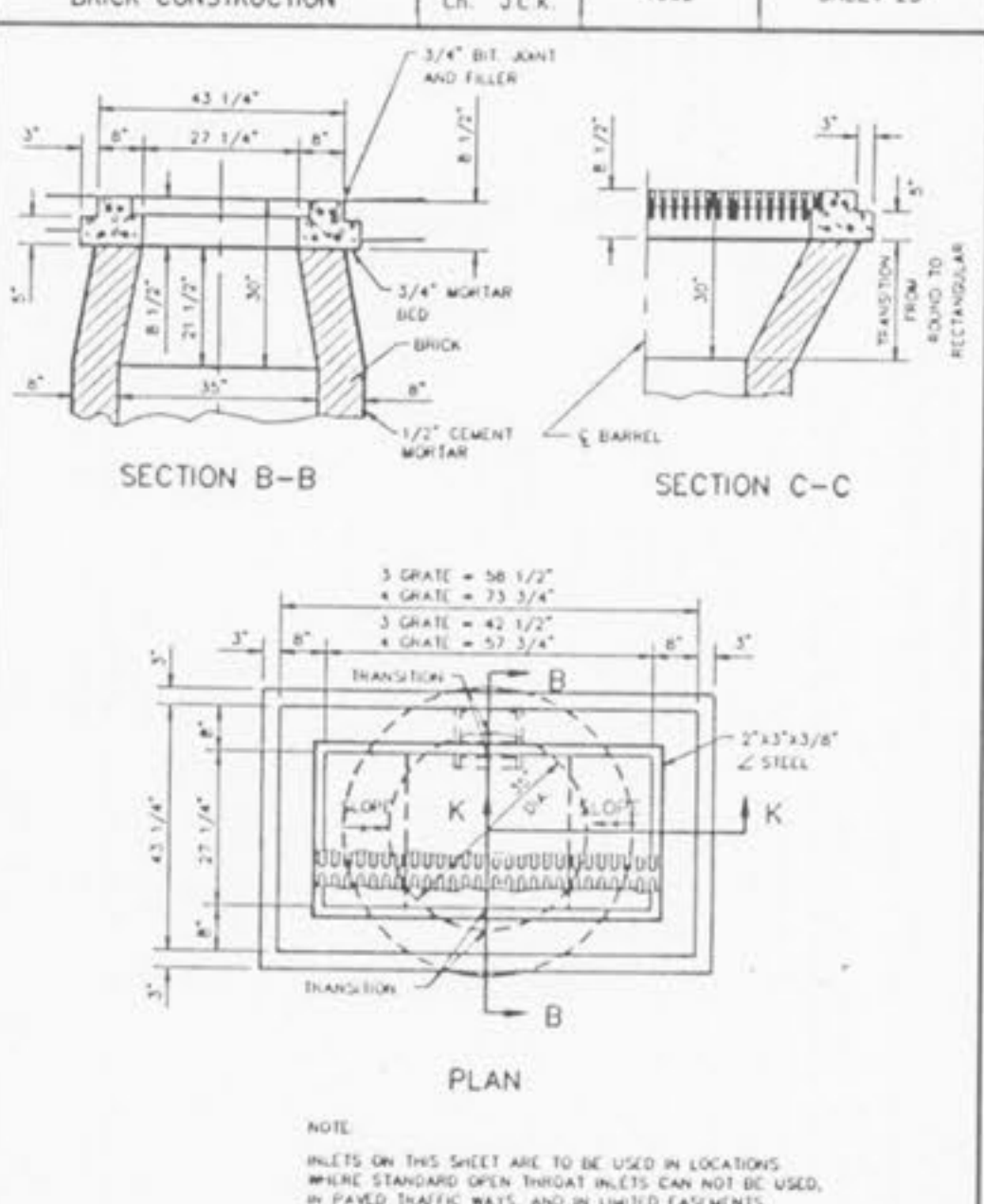
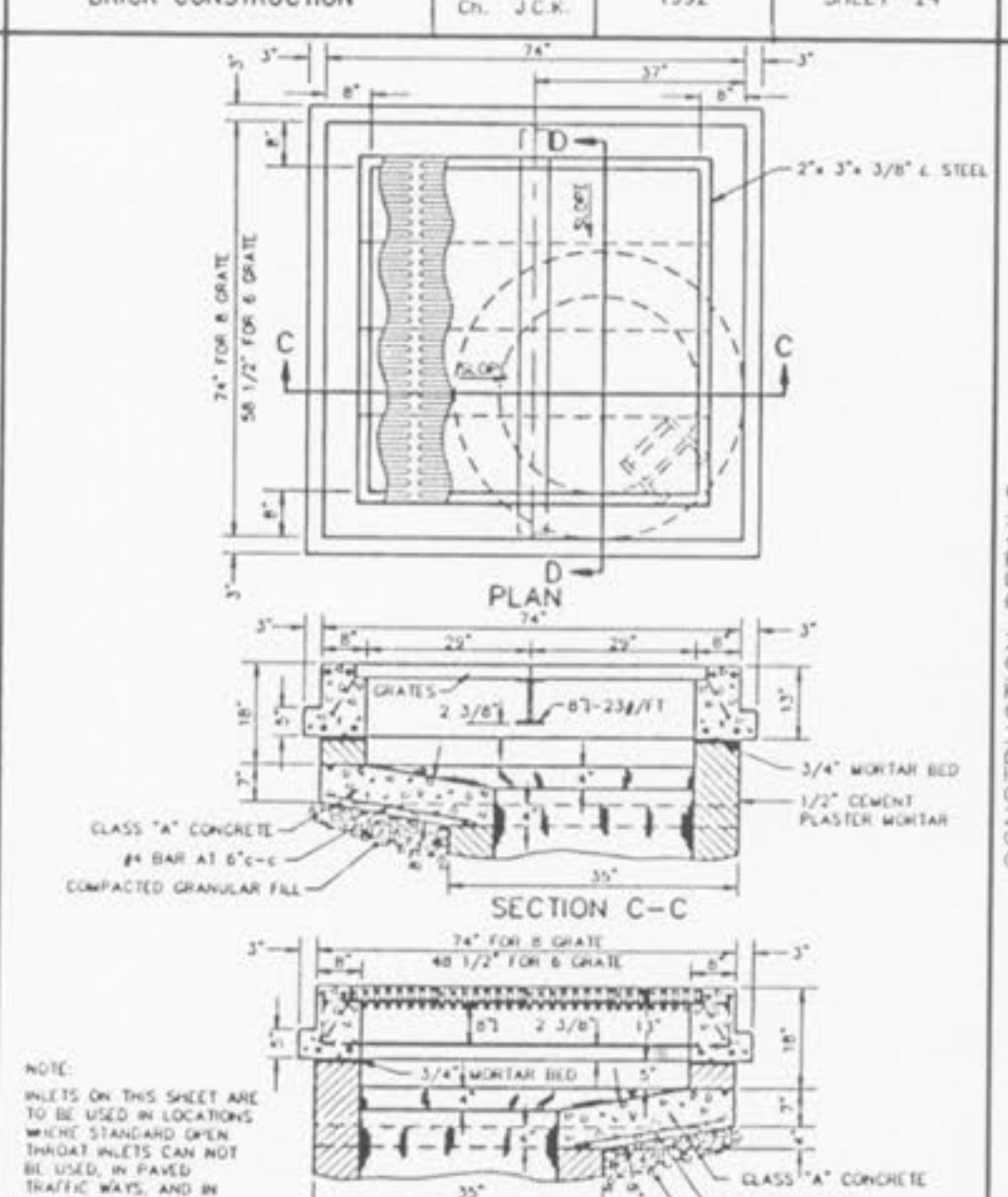
DOUBLE UNTRAPPED STREET INLET  
BRICK CONSTRUCTION

MULTIPLE STREET INLET  
BRICK CONSTRUCTION

TRAPPED STREET INLET  
BRICK CONSTRUCTION

UNTRAPPED STREET INLET  
BRICK CONSTRUCTION

TYPICAL PRE-CAST MANHOLE FOR REINFORCED CONCRETE PIPE SEWERS 48" AND LARGER IN DIAMETER



AREA INLET MANHOLE (12" THRU 24")

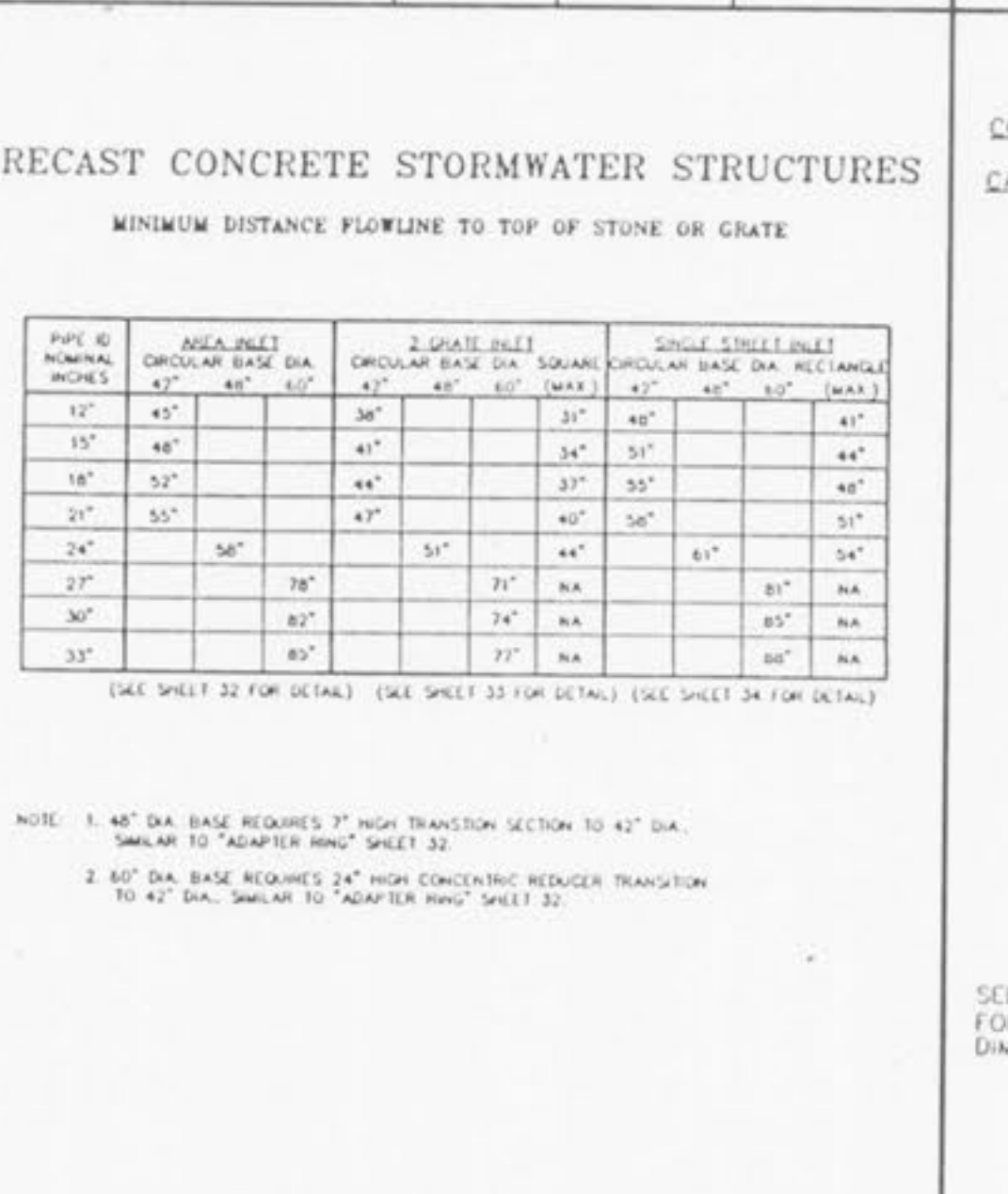
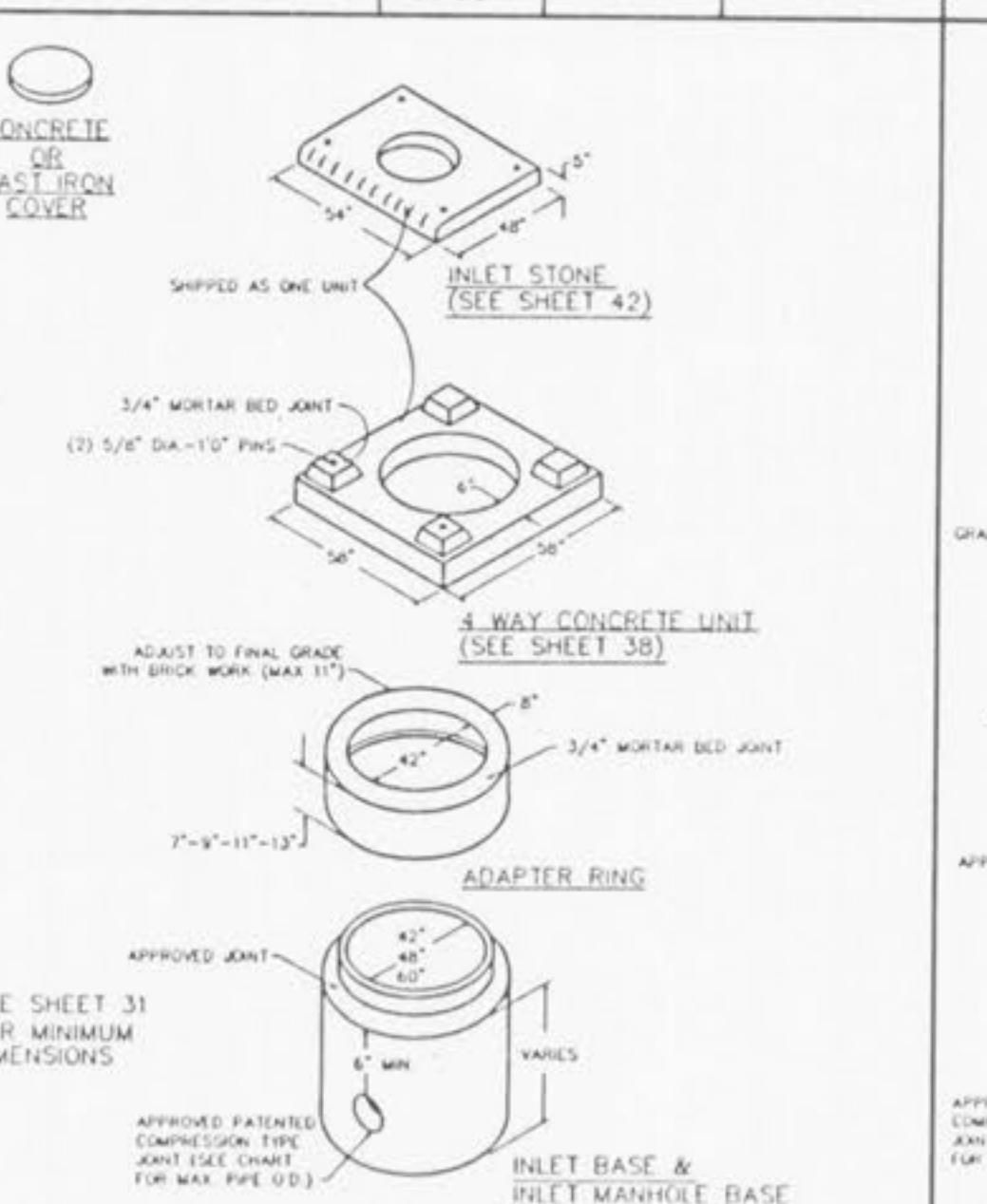
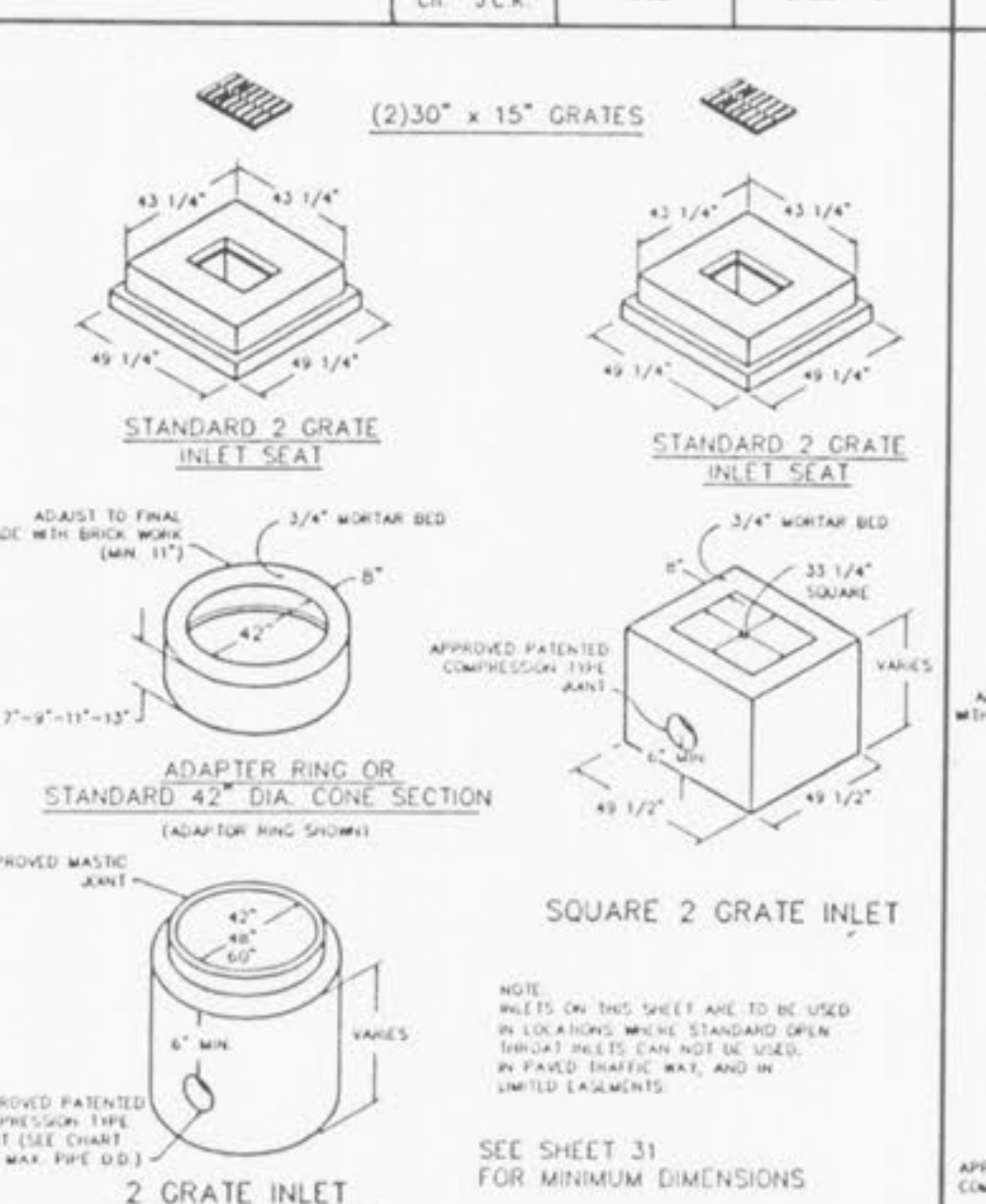
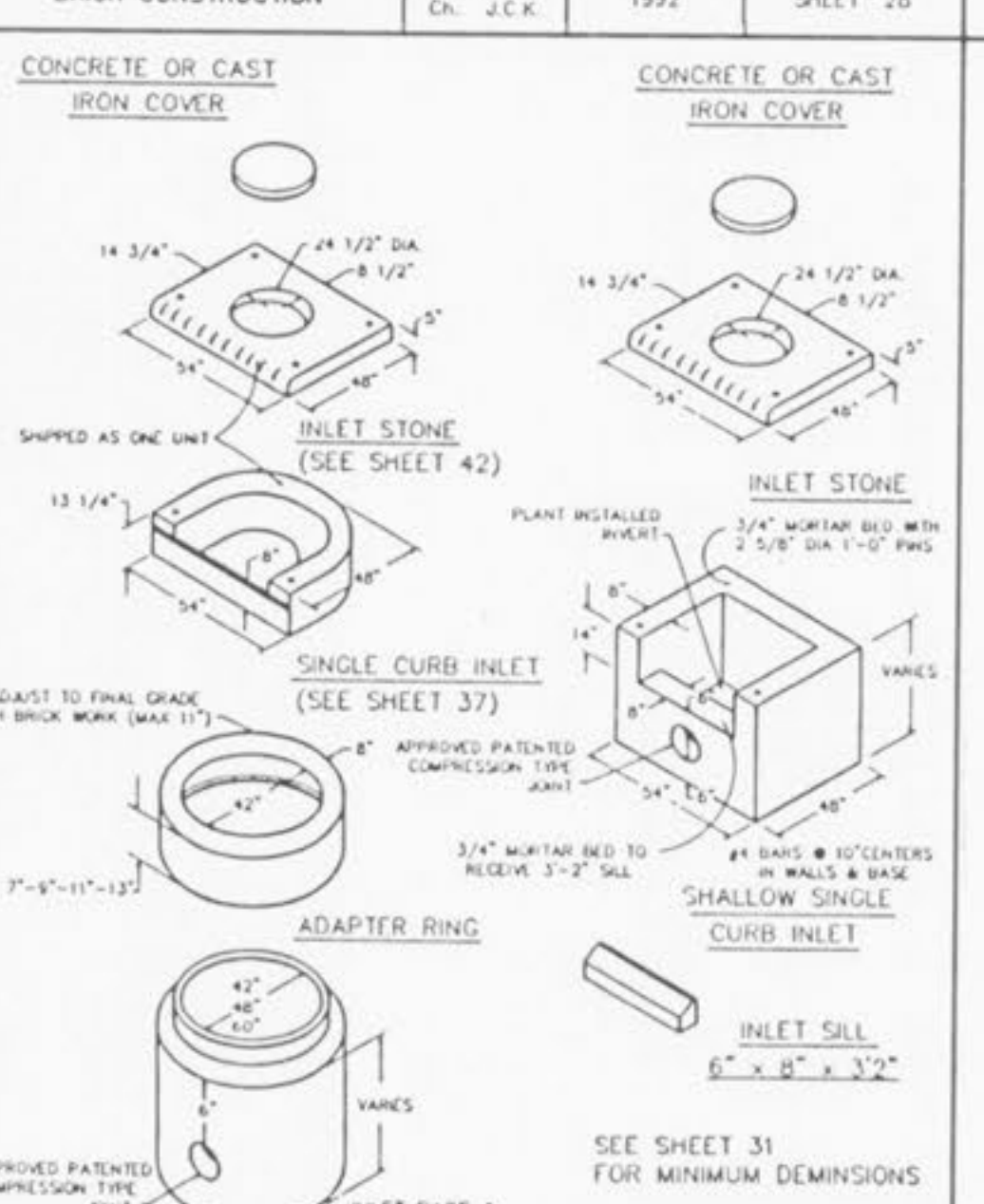
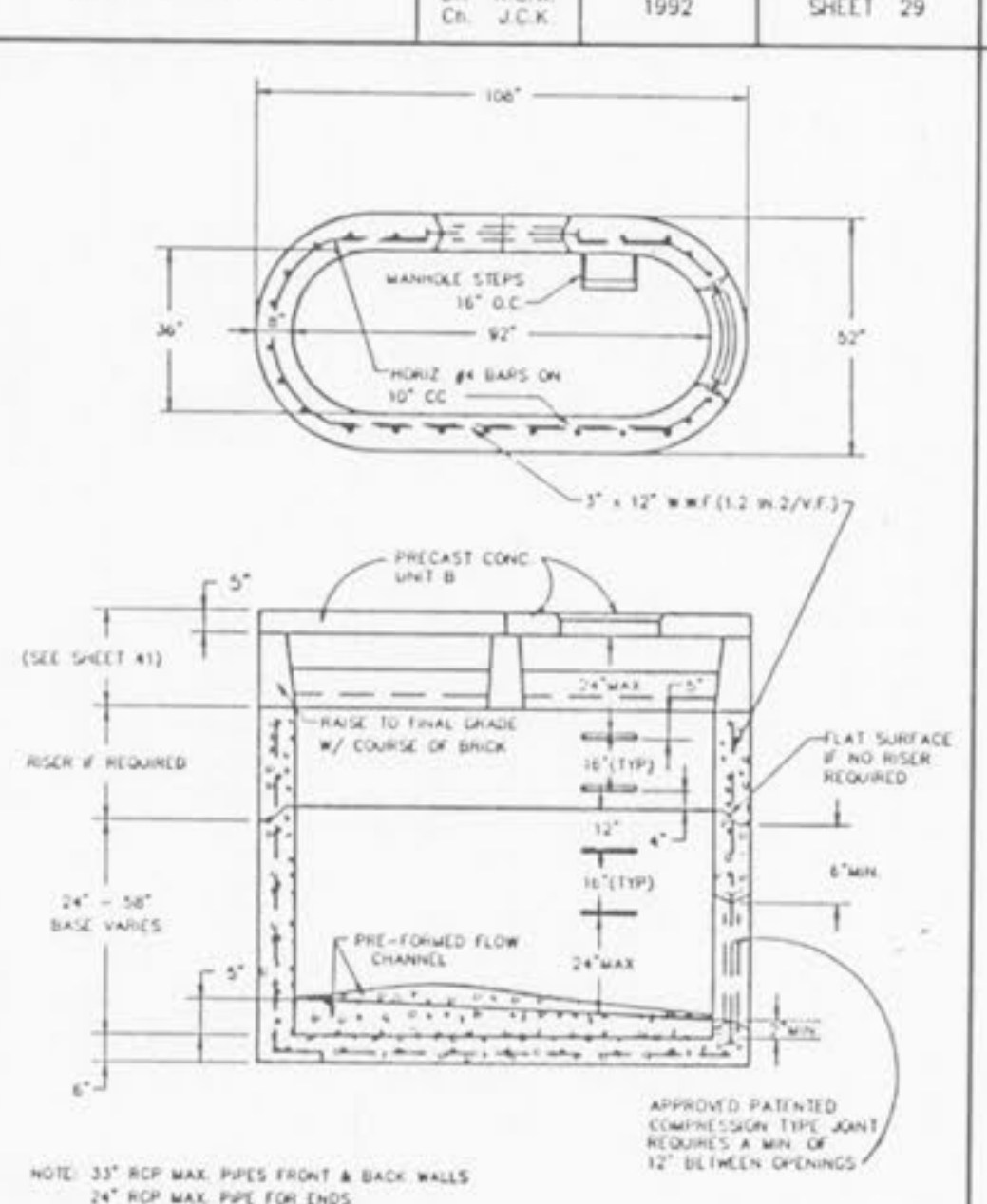
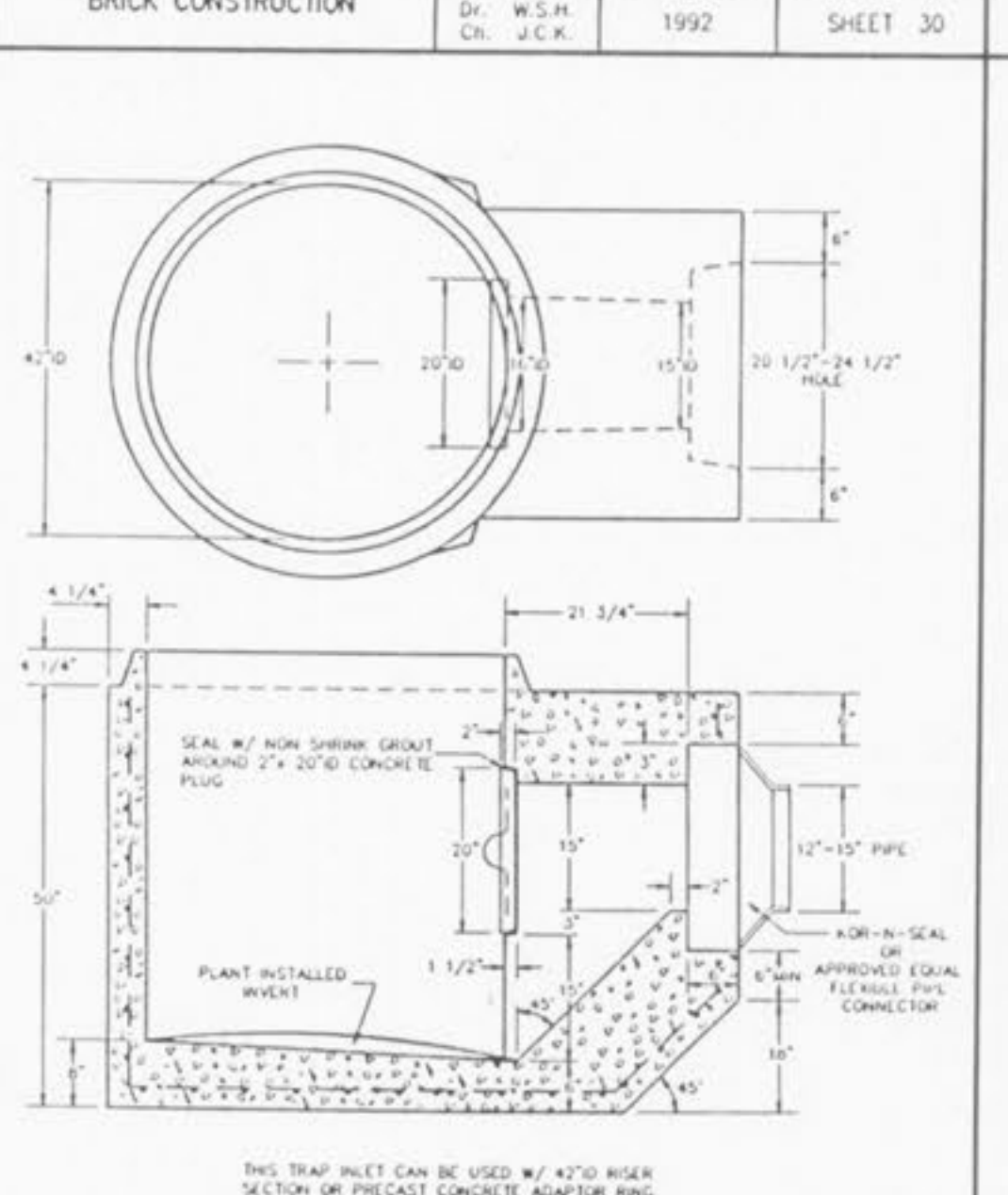
DOUBLE AREA INLET OPEN 4 SIDES  
BRICK CONSTRUCTION

2 GRATE INLET WITH SIDE INTAKE  
BRICK CONSTRUCTION

2 GRATE INLET  
BRICK CONSTRUCTION

DOUBLE AREA INLET OPEN 4 SIDES  
BRICK CONSTRUCTION

AREA INLET MANHOLE (12" THRU 24")



6 & 8 GRATE INLET  
BRICK CONSTRUCTION

3 & 4 GRATE INLET  
BRICK CONSTRUCTION

CONCRETE OR CAST IRON COVER

2 GRATE INLET  
PRECAST CONCRETE

PRECAST CONCRETE STORMWATER STRUCTURES

PRECAST CONCRETE STORMWATER STRUCTURES