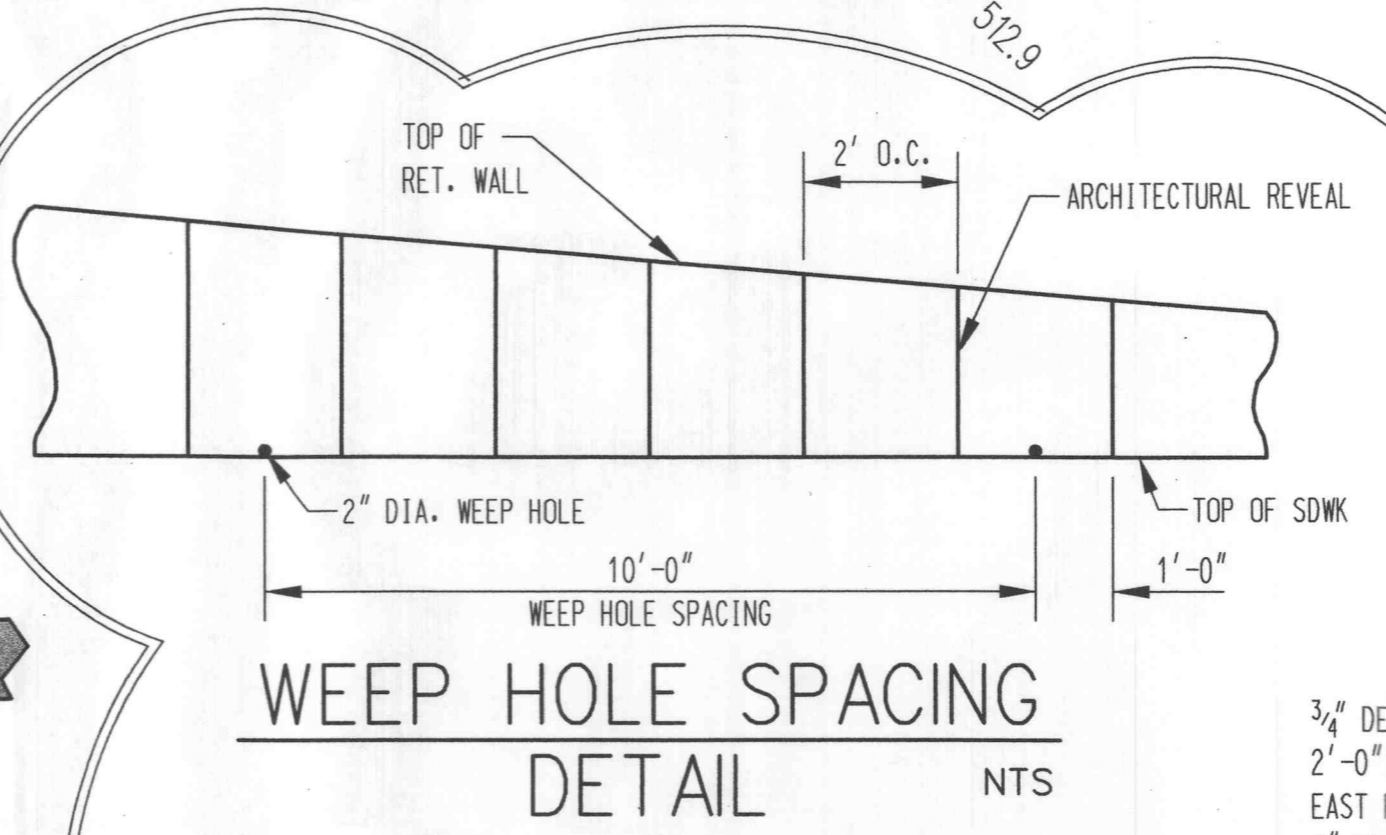
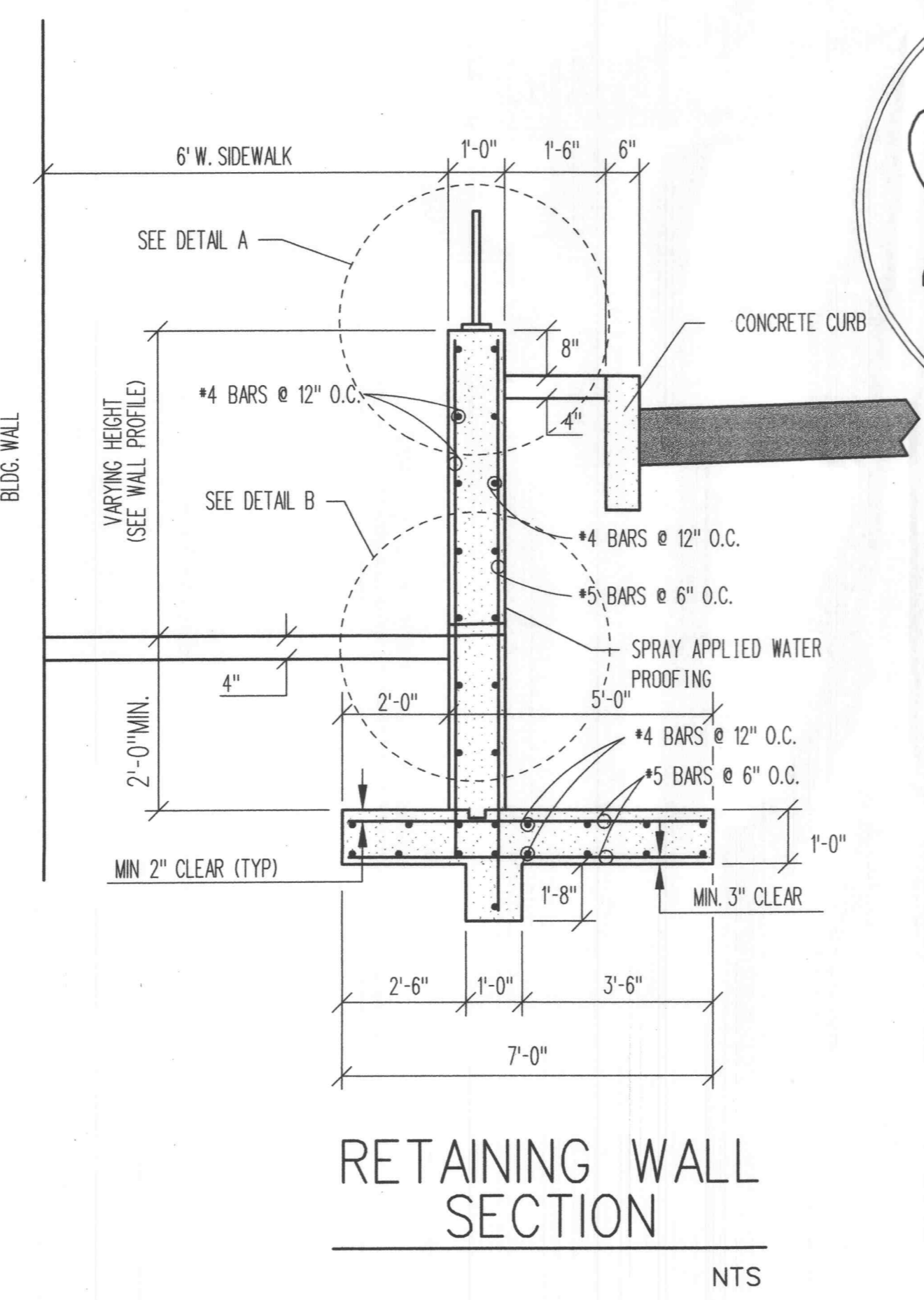
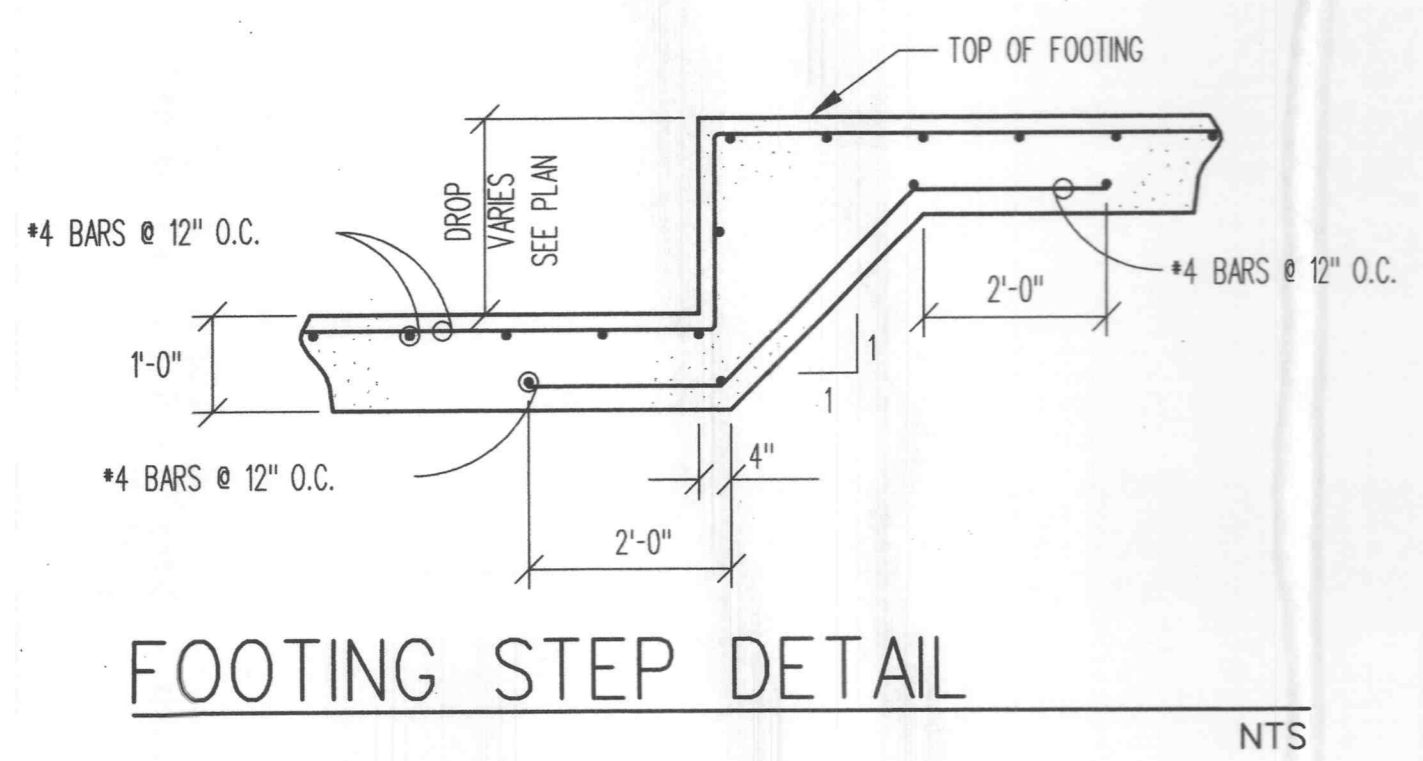
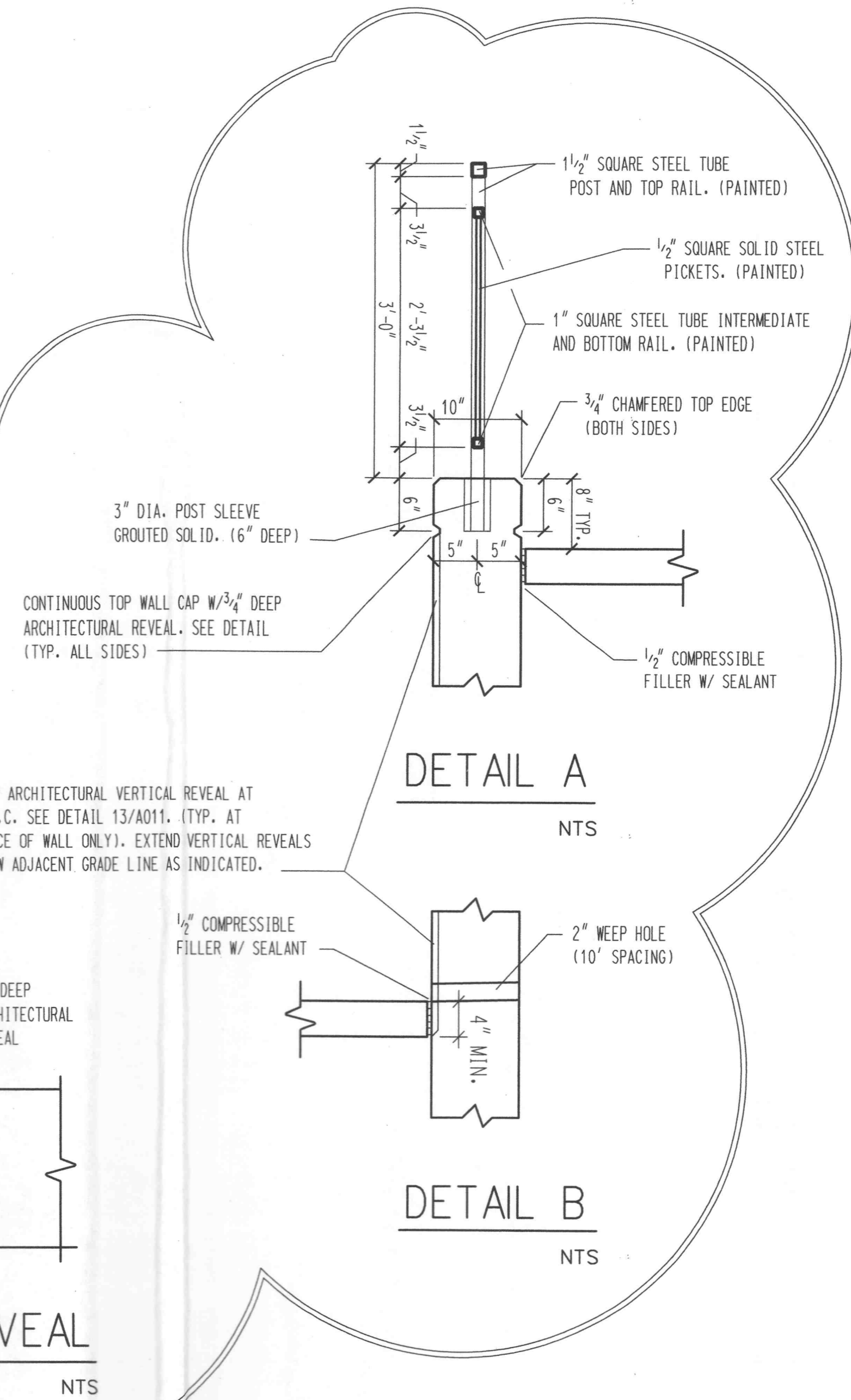
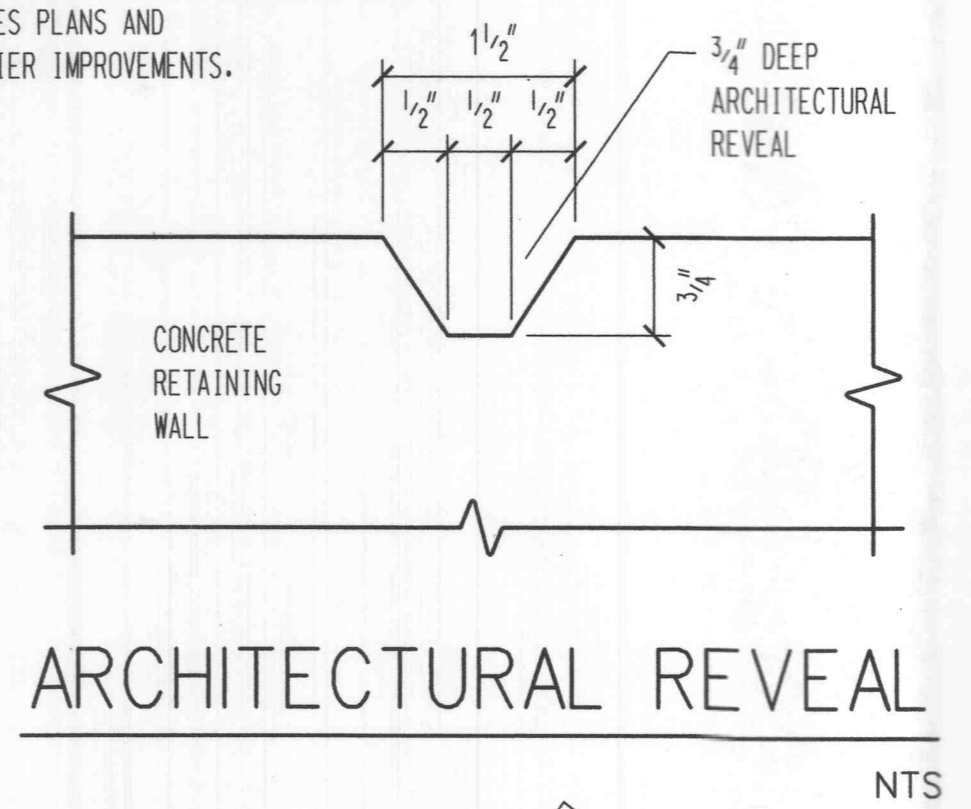


- CONSTRUCTION NOTES:
- Concrete for the structure shall be "air entrained" and contain at least 6 sack Class "A" Portland Cement per cubic yard. The concrete shall be placed at a Maximum slump of 4 inches. The concrete shall be proportioned and transported in accordance with ASTM C-94.
  - Reinforcing steel shall conform to ASTM C-789 HS-20 loading with deformations conforming to ASTM A-305 and shall have a minimum cover of 2 inches except for 3 inches where concrete is poured against earth.
  - Laps and/or splices in reinforcing steel shall be a minimum of 30 bar diameter.
  - Keyed joints shown are to be 2 inch x 4 inch keyed construction joints.
  - $f_s = 60,000$  psi.
  - $f_c = 3,750$  psi.
  - All exposed edges to have a  $\frac{3}{4}$  inch chamfer.
  - Contractor to provide for bypass of stormwater during construction of structure.
  - All soil specifications shall be directed by soils engineer.



NOTE 1: ARCHITECTURAL DETAILS FOR THE RETAINING WALL WITH RESPECT TO THE HANDRAIL/BARRIER WERE PROVIDED BY CHIODINI ASSOCIATES AND ARE SHOWN FOR SCHEMATIC REFERENCE ONLY AND ARE NOT A PART OF THESE PLAN DOCUMENTS. THE EXACT LOCATION, ACCURACY OR SUITABILITY HAS NOT BEEN VERIFIED. SEE CHIODINI ASSOCIATES PLANS AND SPECIFICATIONS FOR THE HANDRAIL/BARRIER IMPROVEMENTS.



**Chiodini**  
 CHIODINI ASSOCIATES  
 700 Corporate Park Drive  
 Suite 250  
 St. Louis, Missouri 63105  
 314-725-5588  
 Fax 314-725-4347

**VOLZ**

MISSOURI REGISTERED PROFESSIONAL ENGINEER  
 LICENSE NO. 10000-00000

**ASSUMPTION**  
 of Blessed Virgin Mary Church  
 O'FALLON, MISSOURI

RETAINING WALL DETAILS  
 Design By: W.G.K.  
 Drawn By: J.R.S.  
 Checked By: W.B.K.  
 Base Map No. XX-XX  
 P. # XXXXX-XX  
 7004  
 4-17-03  
 C8