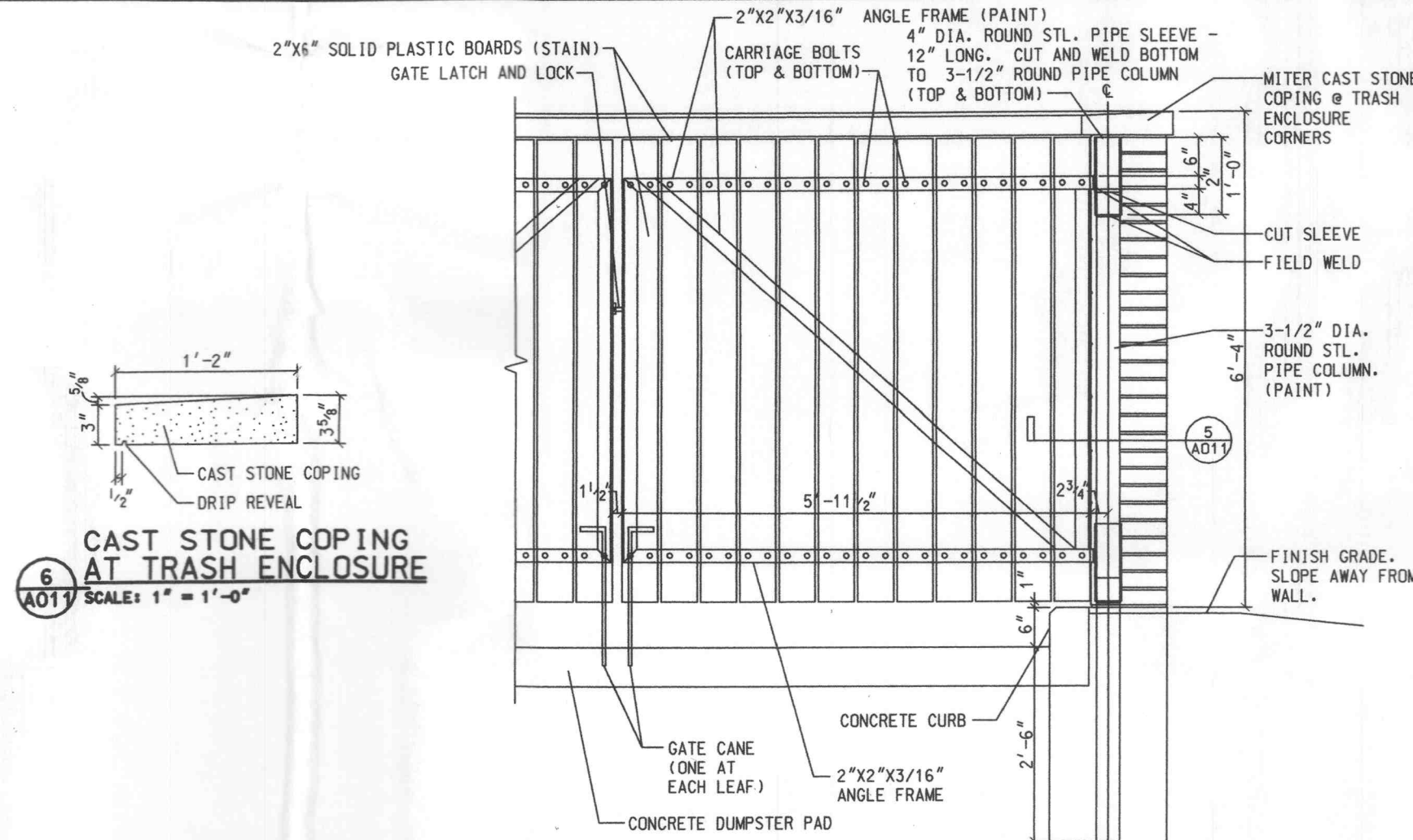
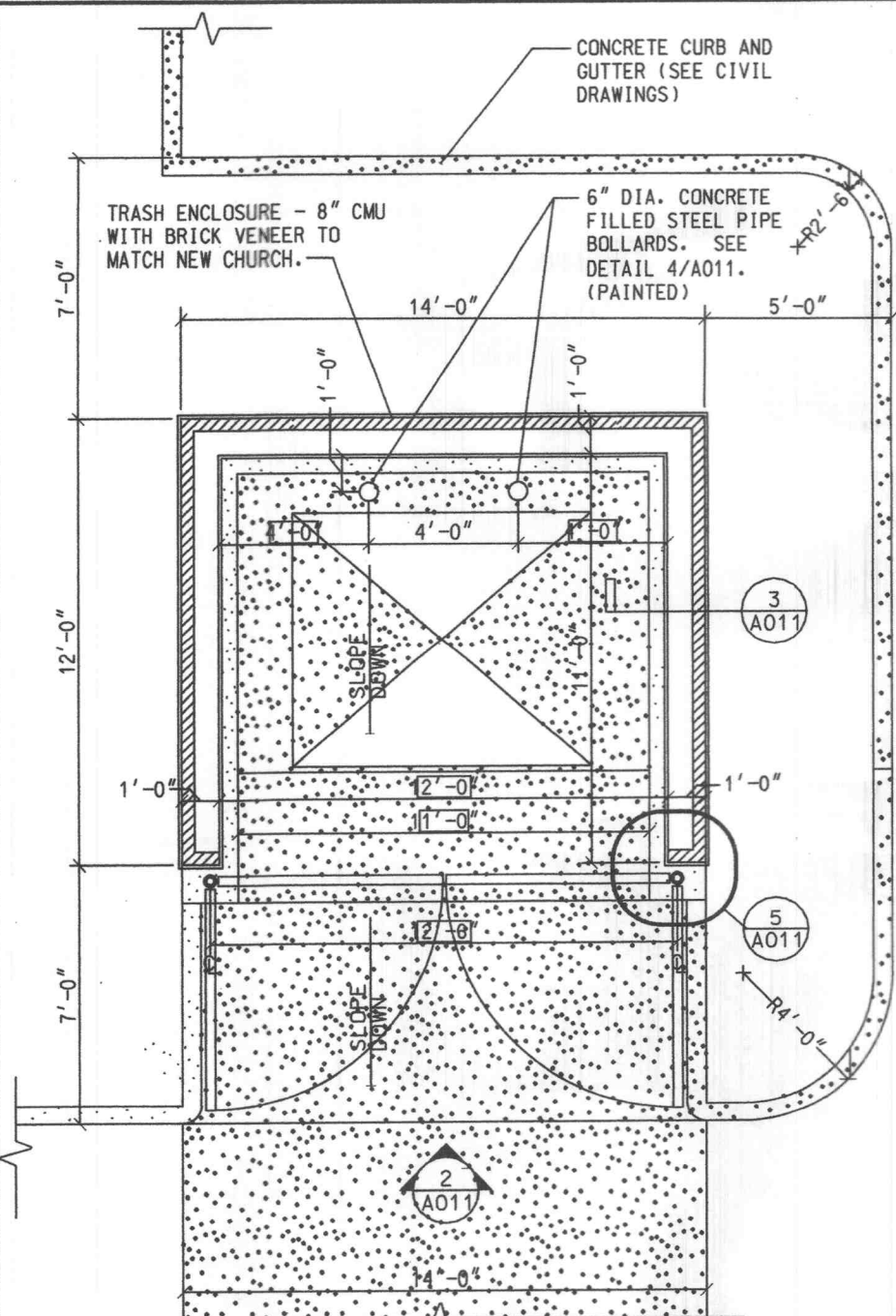
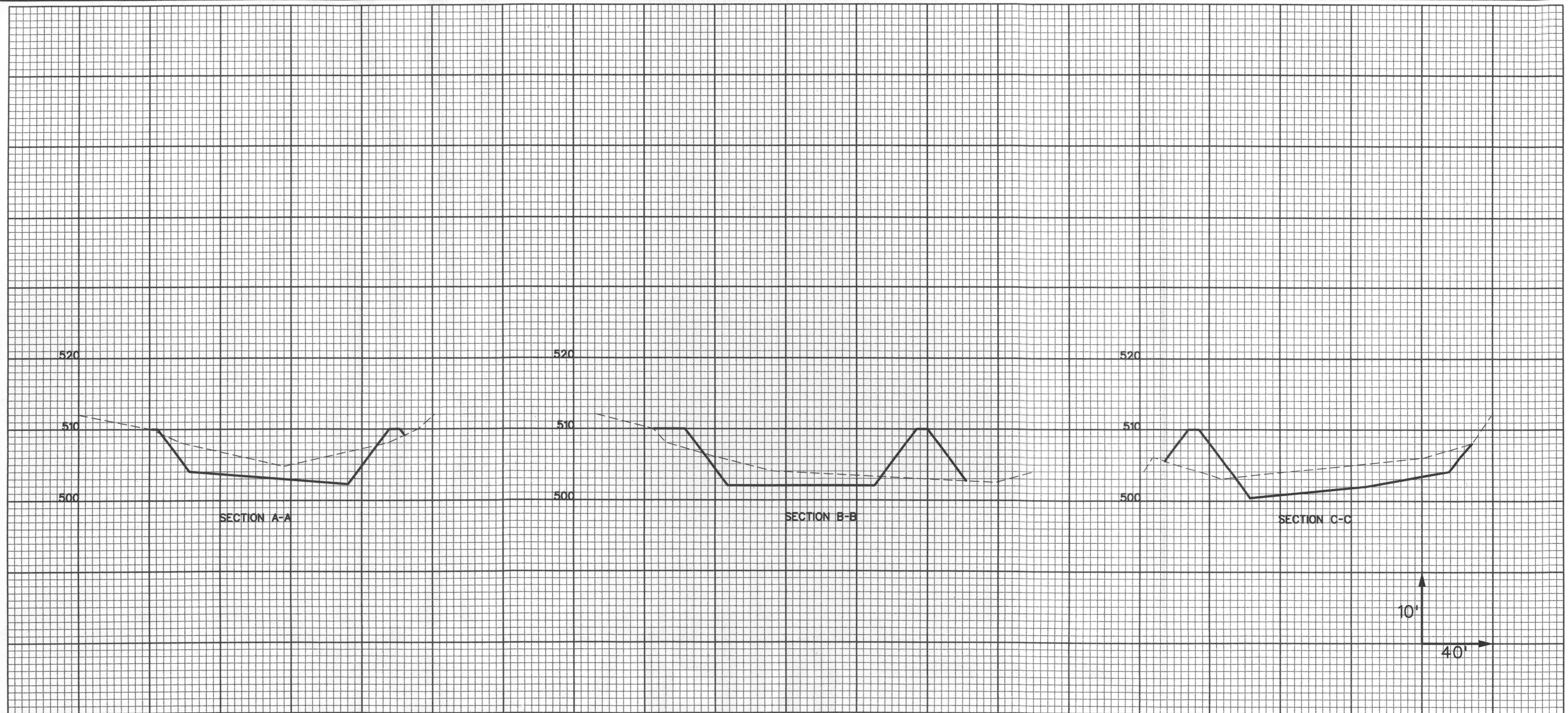
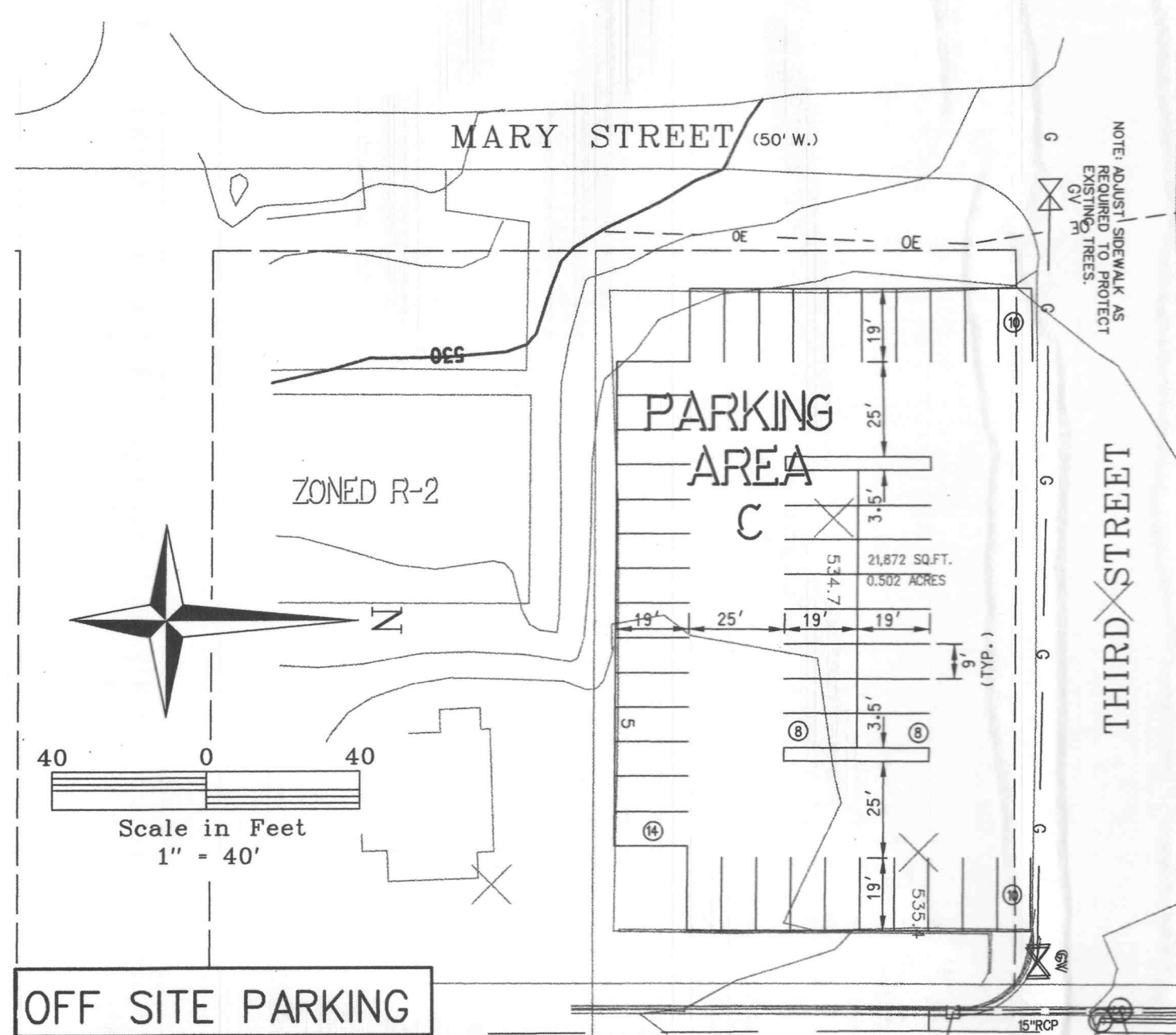


Parking Required: 400 P.S.
(1200 Seats/Max) 1 P.S./3 Seats)

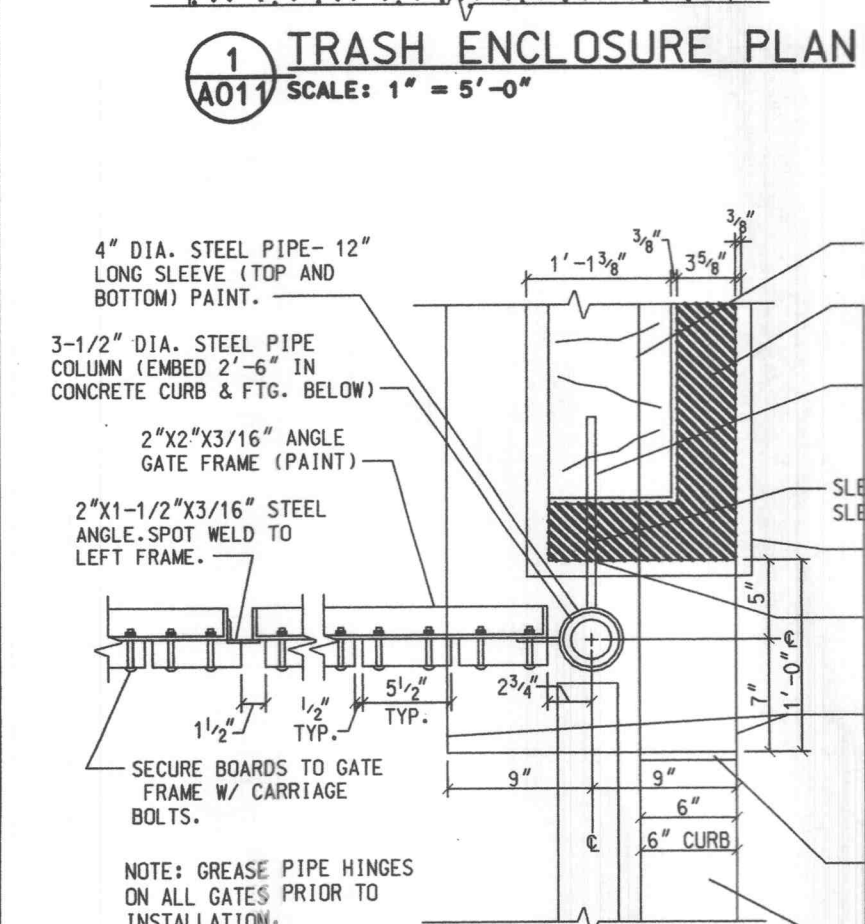
Parking Provided:

Parking Area A: 228 P.S. (16 H.C.)
 Parking Area B: 70 P.S. (BY OTHERS) N.L.C.
 Parking Area C: 50 P.S. (CONTRACTOR TO RESTRIPE AS SHOWN)
 Parking Area D: 88 P.S. (4 H.C.)

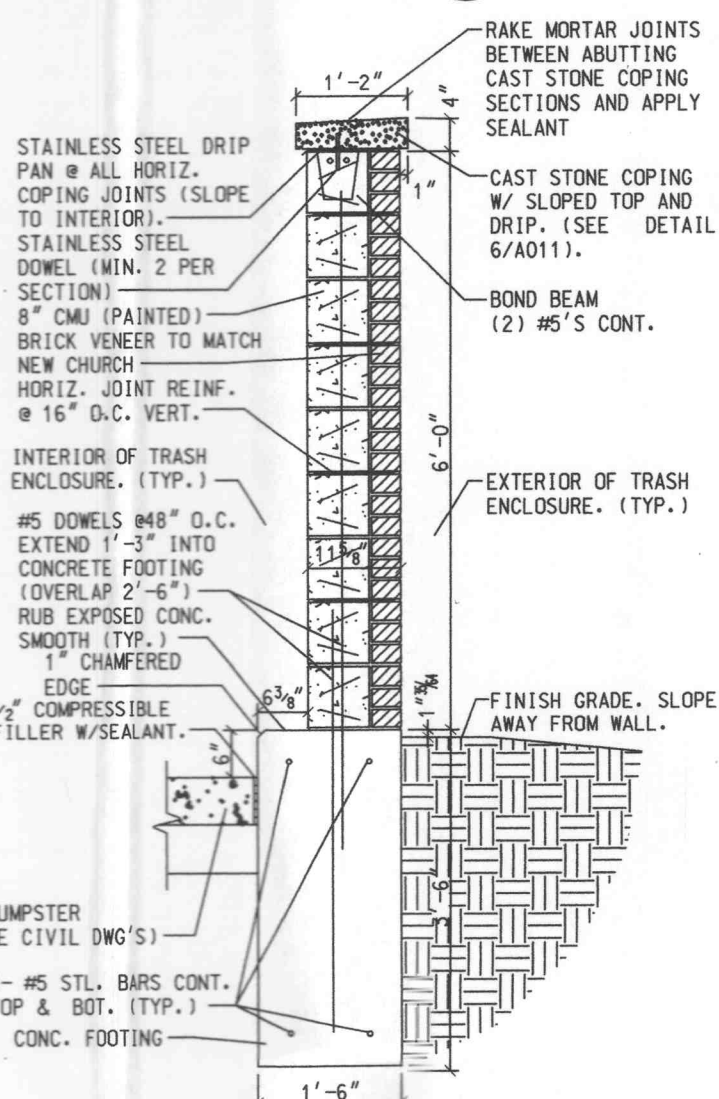
TOTAL PARKING PROVIDED: 434 P.S. (20 H.C.)



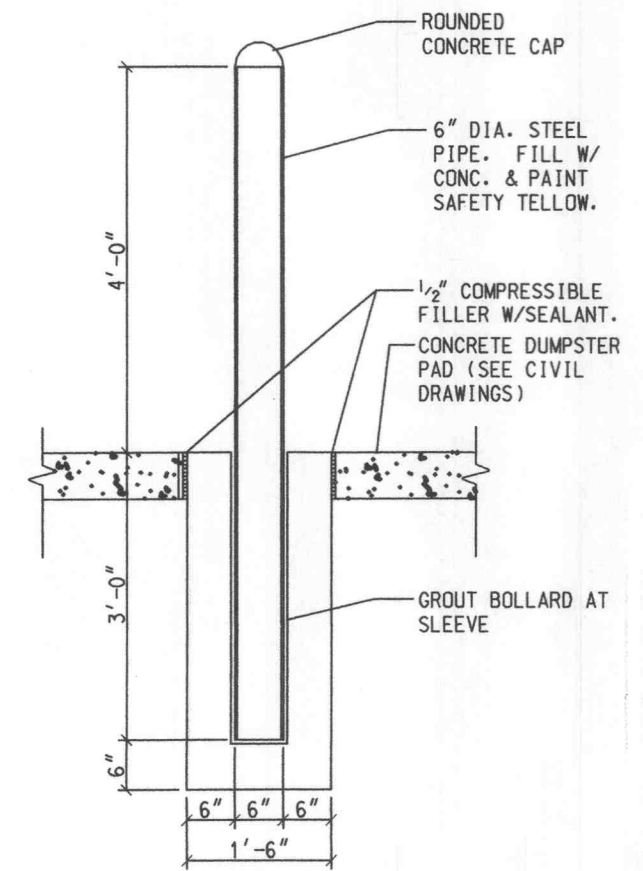
2 PARTIAL TRASH ENCLOSURE ELEVATION
SCALE: 1" = 2'-0"



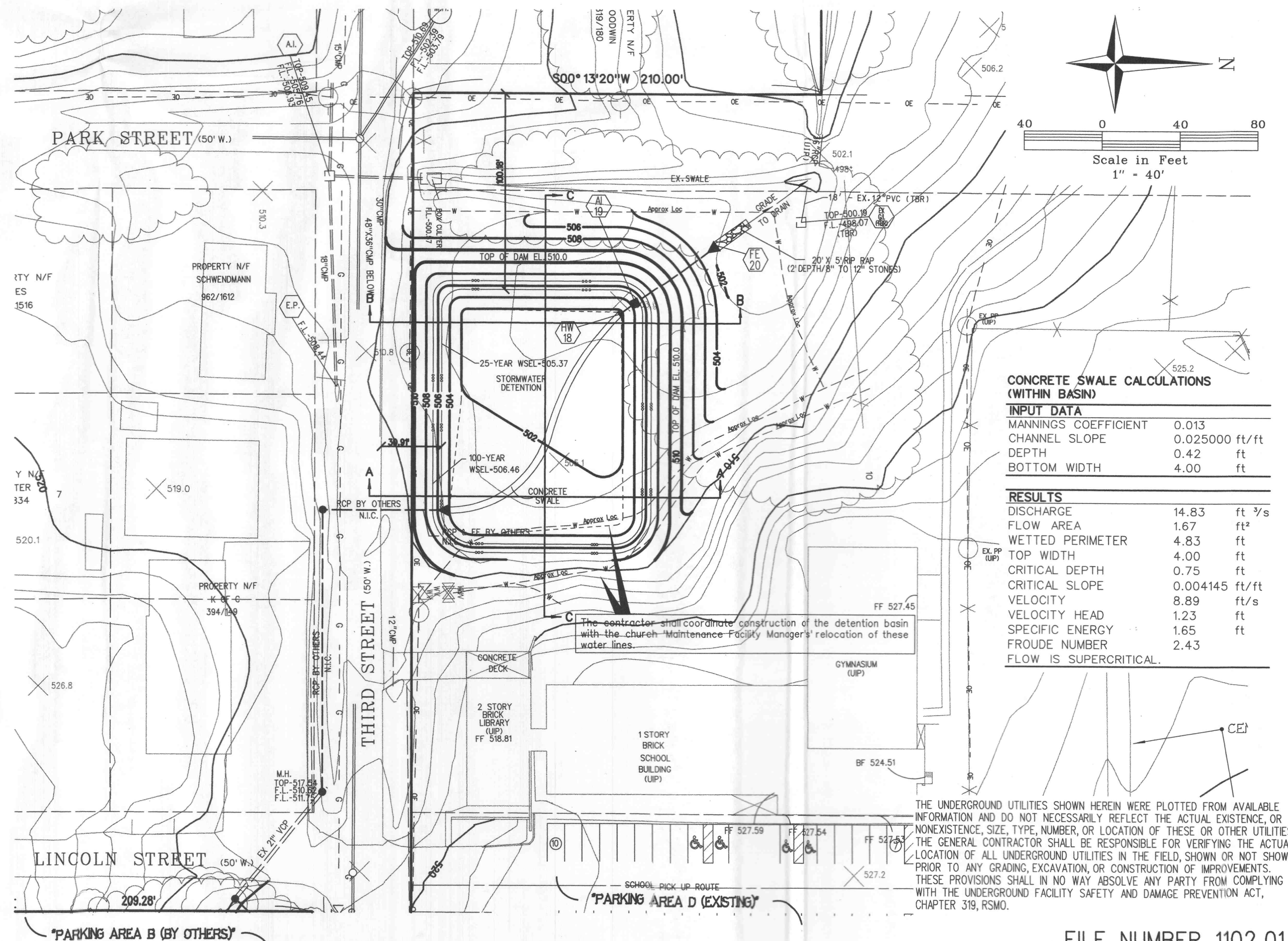
5 TRASH ENCLOSURE PLAN DETAIL
SCALE: 1" = 1'-0"



3 SECTION AT TRASH ENCLOSURE
SCALE: 1" = 2'-0"

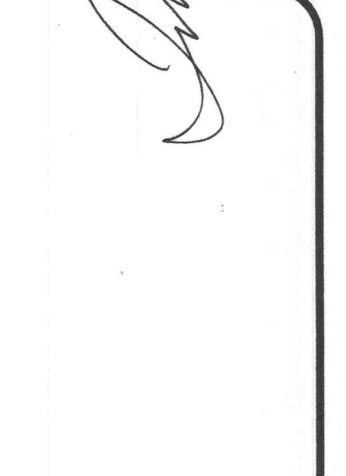


4 PIPE BOLLARD AT TRASH ENCLOSURE
SCALE: 1" = 2'-0"



Chadwick
 CHADWICK ASSOCIATES
 700 Corporate Park Drive
 Suite 250
 St. Louis, Missouri 63105
 314-725-5588
 Fax 314-725-4347

VOLZ



ASSUMPTION
 of Blessed Virgin Mary Church
 O'FAILLION, MISSOURI

MISCELLANEOUS DETAILS

Design By: J.A.F.
 Drawn By: J.S.S.
 Checked By: W.G.K.
 Base Map No. XX-XX
 P • XXXXX-XX
 7004
 4-17-03
 C10

FILE NUMBER 1102.01