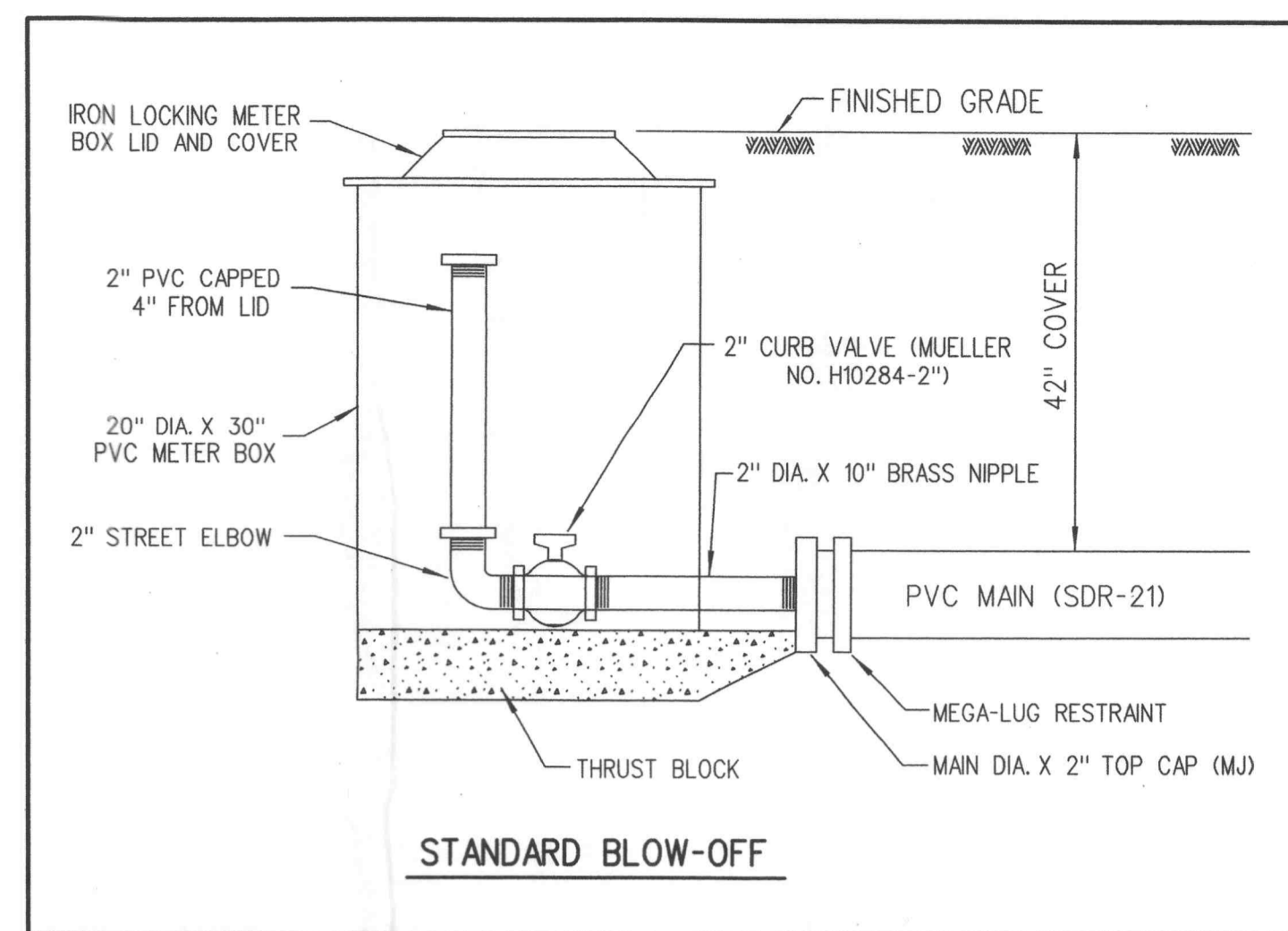
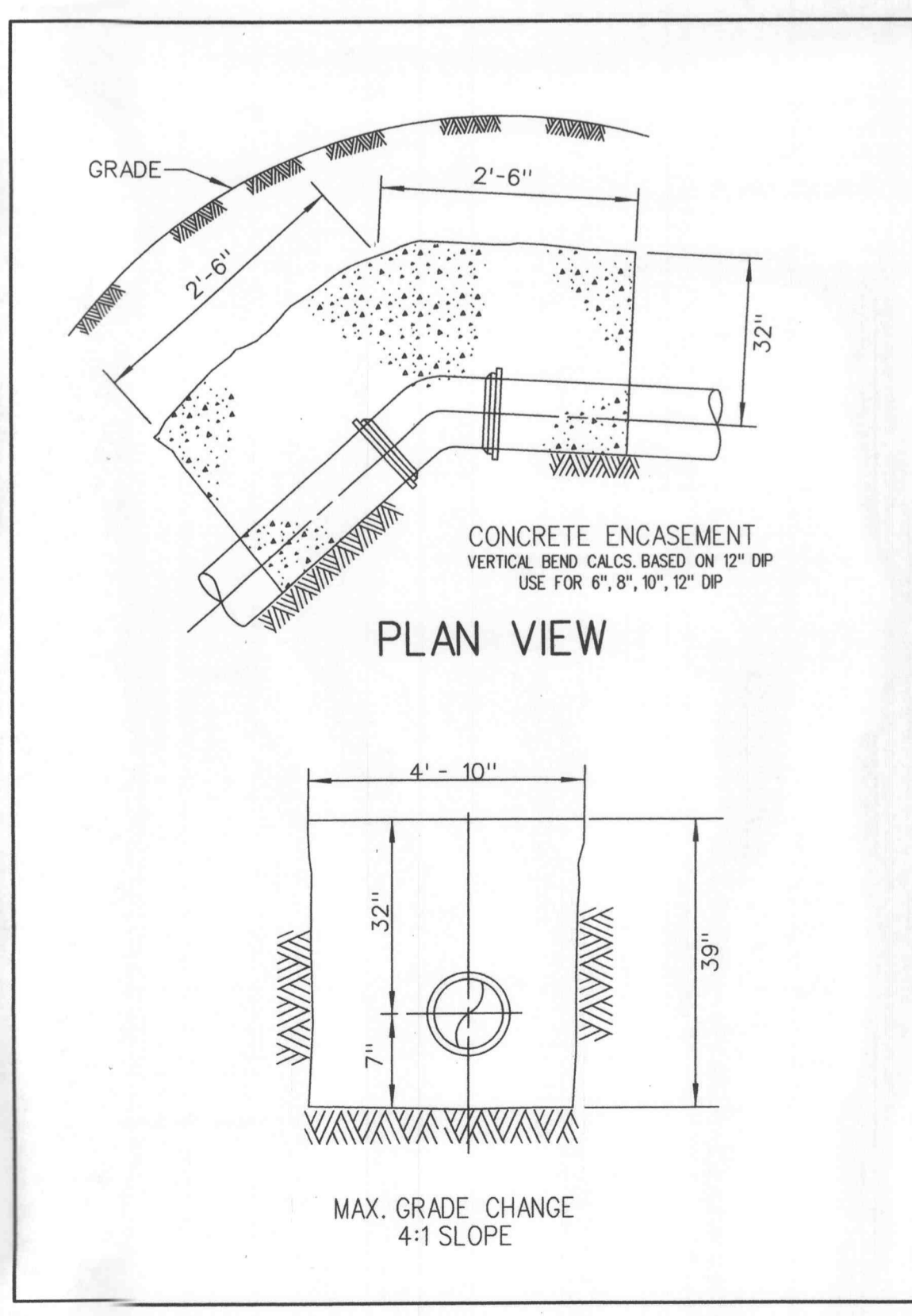
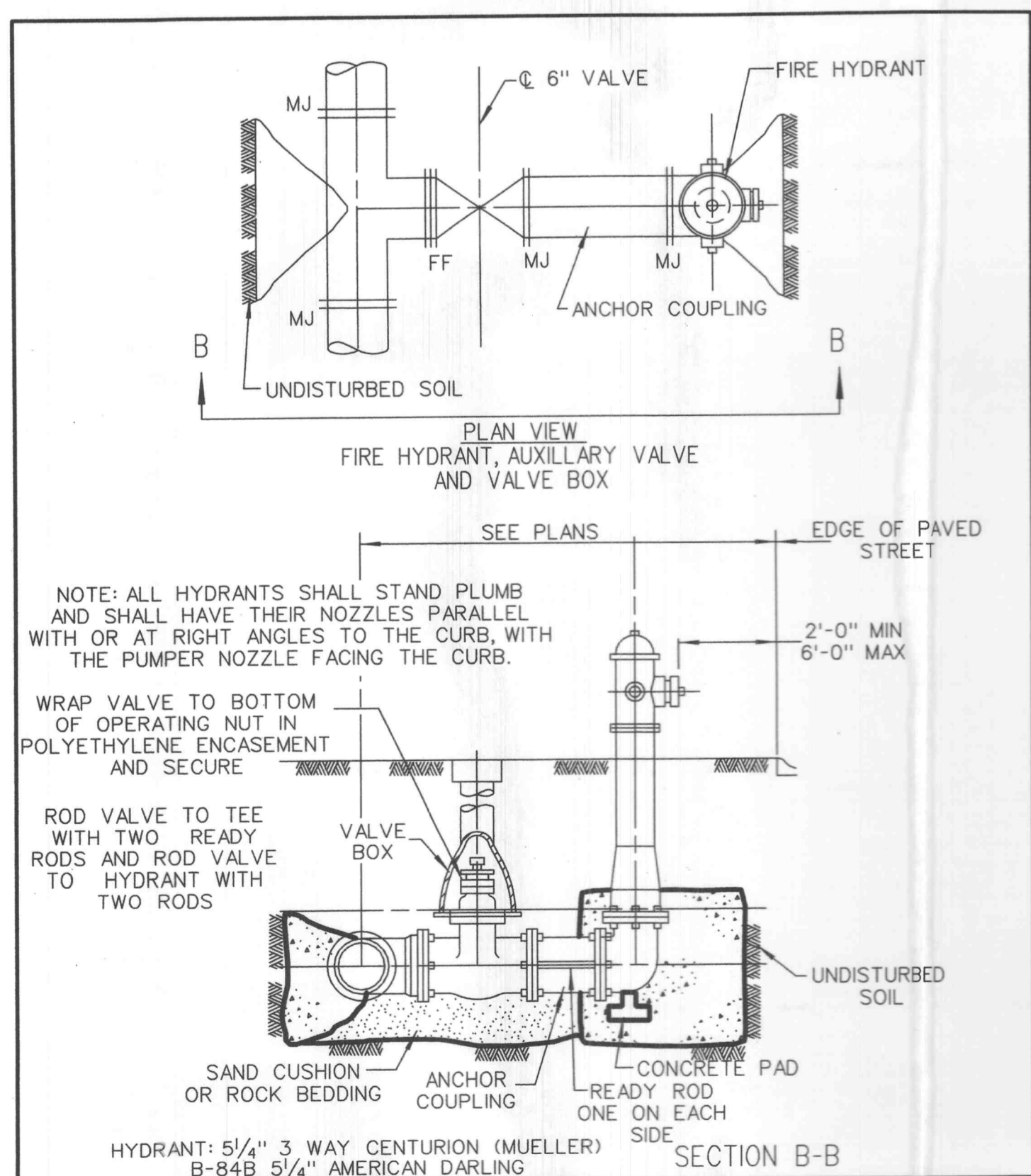
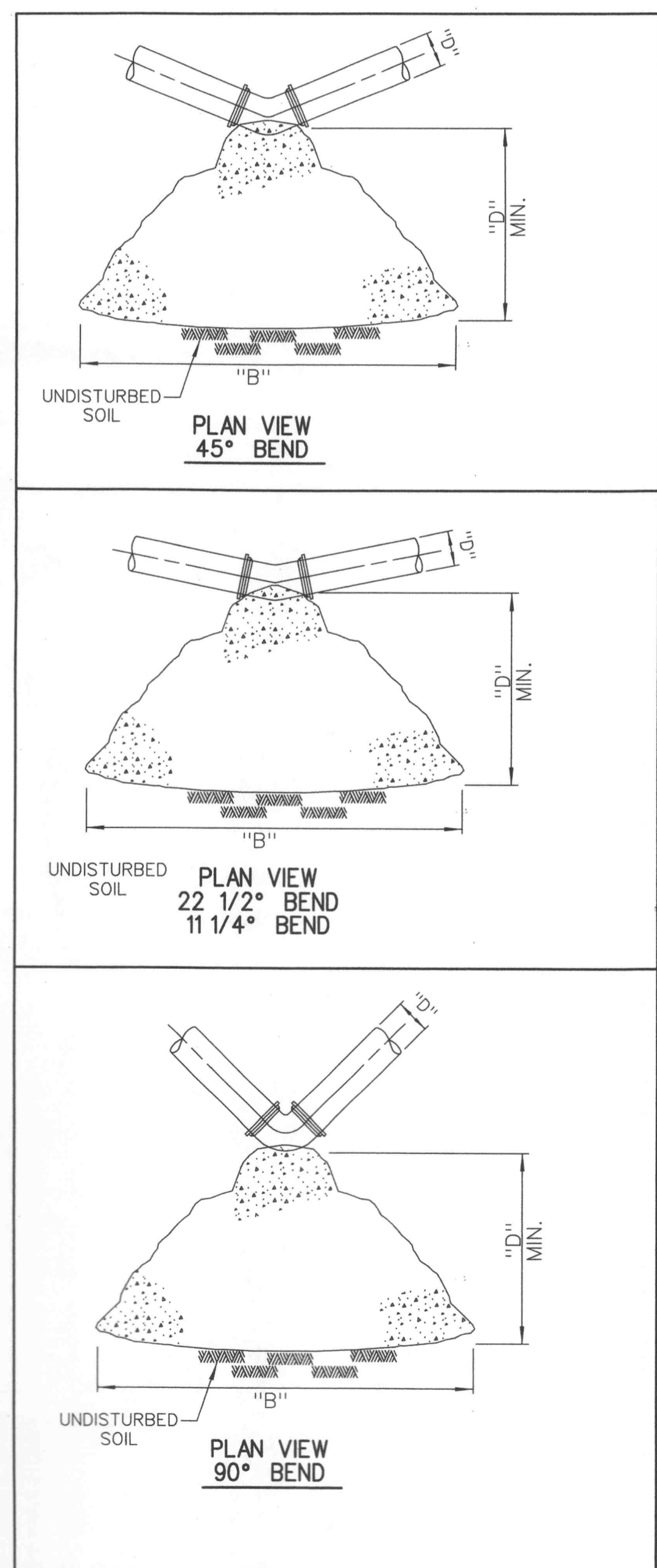
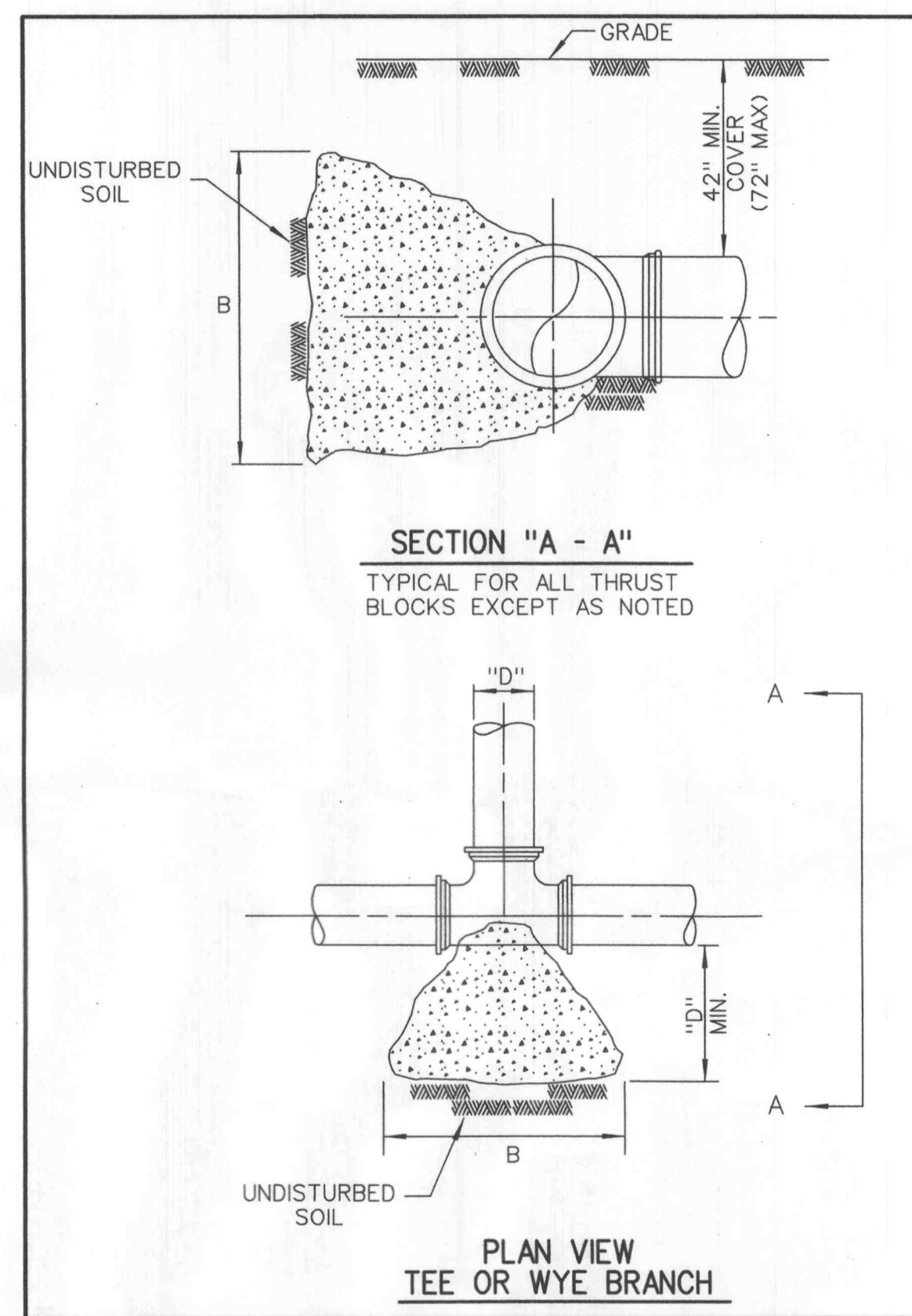


MATERIAL LIST - 1" WATER METER SERVICE

- 1" Sensus SR11 MTR, TRPL, 100 GL PLAS BNT
- 1" Meter Yoke with 12" Rise and Locking Ball Valve (B2404-1")
- 1" Corporation Stop (B25008-1")
- 2 - 1" End Connectors, Compression (H-14227-1")
- 20 6150 MTR Box Cover LN w/TR
- 20" X 30" Meter Tile (MIDSTATES)
- 1" X 8" Tapping Saddle, PVC (H13433-1")
- 1" X 10" Tapping Saddle, PVC (H13434-1")
- 1" X 6" Tapping Saddle, PVC



NOTE:
GRANULAR FILL REQUIRED WHERE WATER MAIN IS UNDER PAVEMENT AND TO 1:1 SHEAR PLANE LINE.



PIPE DIA.	90° BENDS		45° BENDS		22.5° BENDS		WYES & TEES	
	B	D	B	D	B	D	B	D
2"	1.0	0.7	1.0	0.7	1.0	0.7	1.0	0.7
3"	1.0	0.7	1.0	0.7	1.0	0.7	1.0	0.7
4"	1.0	0.7	1.0	0.7	1.0	0.7	1.0	0.7
6"	1.4	1.0	1.0	1.0	1.0	1.0	1.0	1.0
8"	1.8	1.0	1.0	1.0	1.0	1.0	2.2	1.0
10"	2.3	1.2	1.7	1.2	1.2	1.2	2.7	1.2
12"	2.7	1.4	2.0	1.4	1.4	1.4	3.2	1.4
14"	3.2	1.5	2.4	1.5	1.7	1.5	3.2	1.5
16"	3.6	1.7	2.7	1.7	1.9	1.7	4.3	1.7

Dimensions are in feet. Use above thrust block dimensions unless poor soil conditions (organics, saturated clay, etc.) dictate use of larger thrust area. See chart at top center of this sheet for determination of area of thrust block in poor soil conditions.

Chadwick
CHADWICK ASSOCIATES
1700 Corporate Park Dr. Ivo
Suite 250
St. Louis, Missouri 63105
314-725-5588
Fax: 314-725-4347

VOLZ



ASSUMPTION
of Blessed Virgin Mary Church
O'FAHON, MISSOURI

WATER SERVICE DETAILS
Base Map No. XX-XX
Design By: J.A.F.
Drawn By: J.R.S.
Checked By: W.G.K.
7004