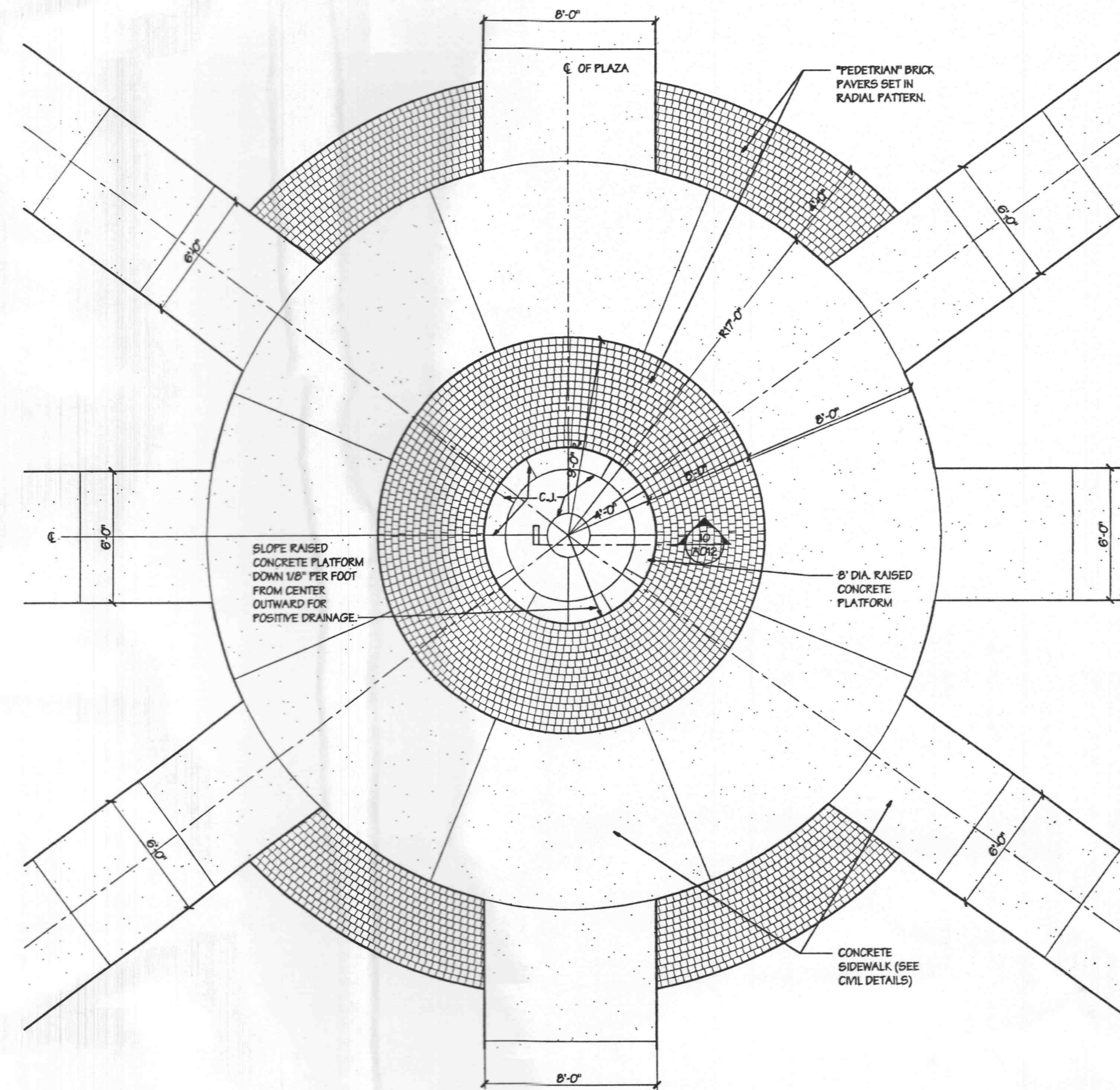
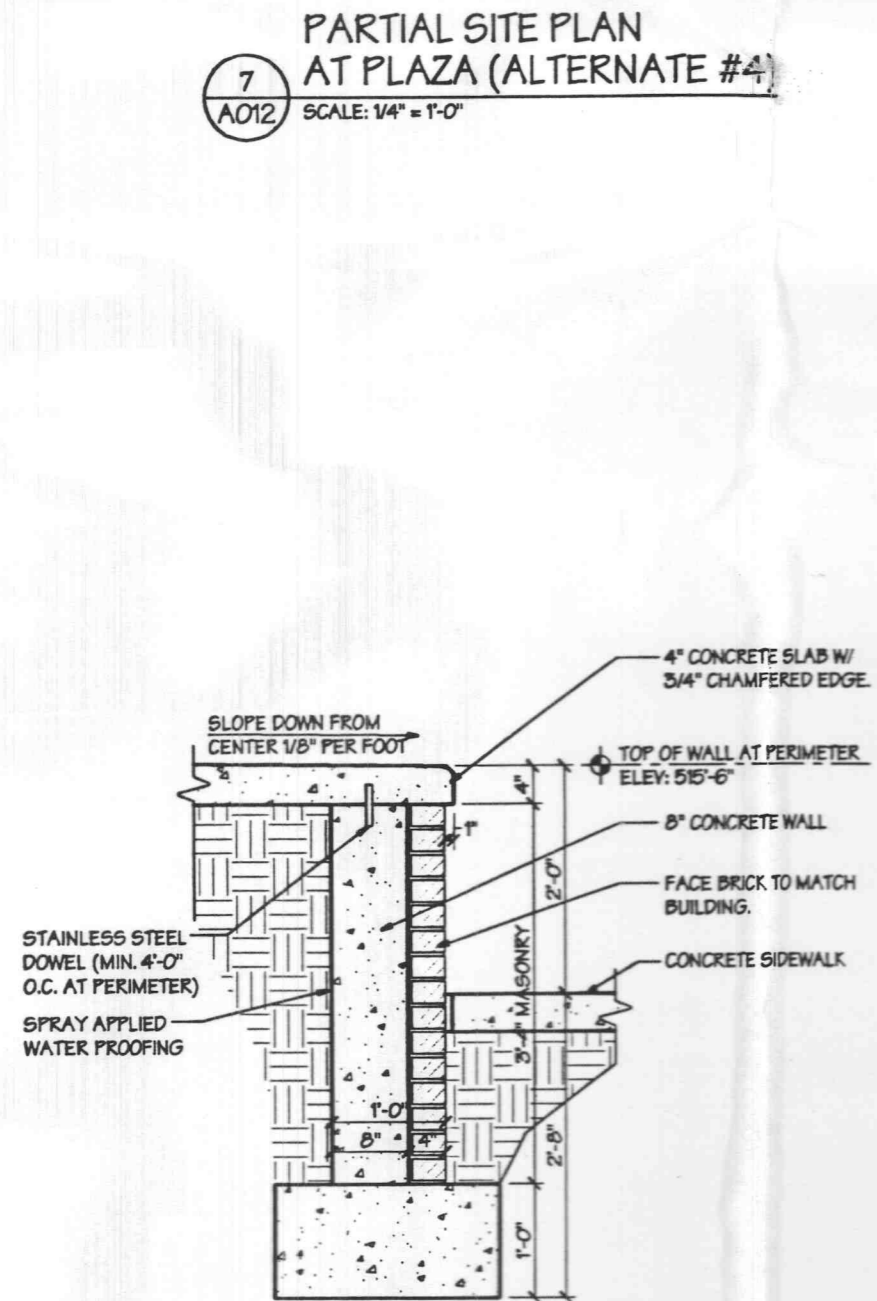


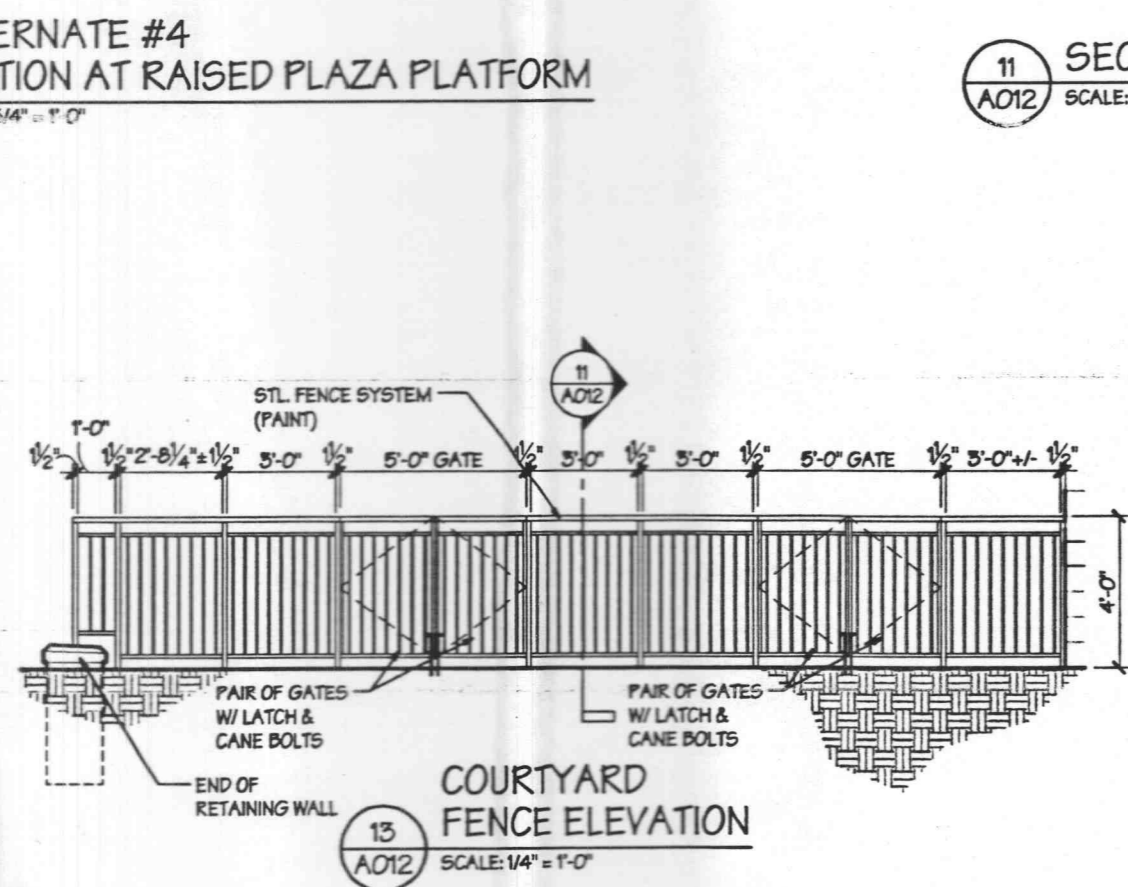
three-eighths inch = one foot  
 one-half inch = one foot  
 one-quarter inch = one foot  
 one-eighth inch = one foot



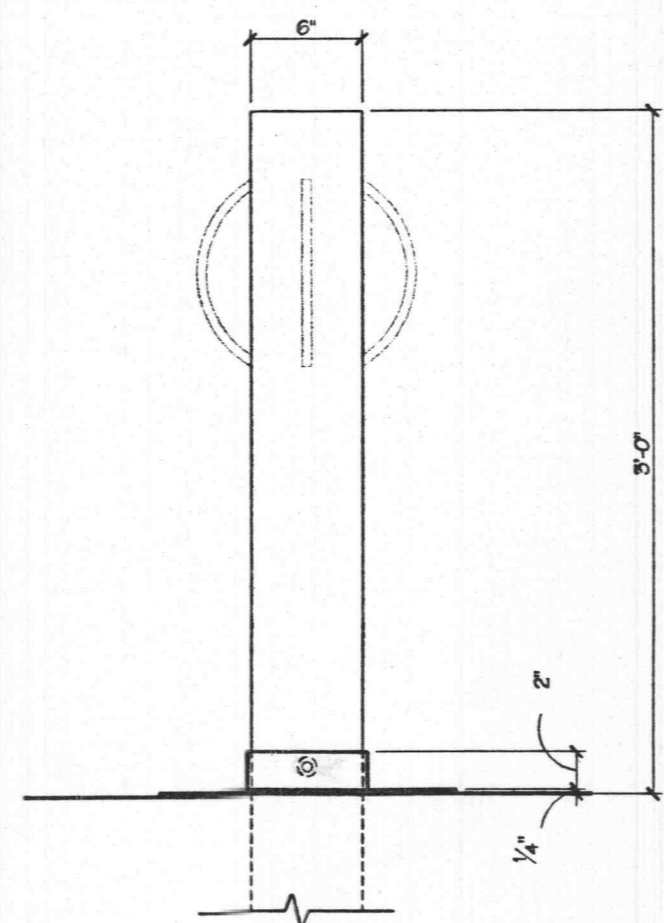
**7 PARTIAL SITE PLAN AT PLAZA (ALTERNATE #4)**  
SCALE: 1/4" = 1'-0"



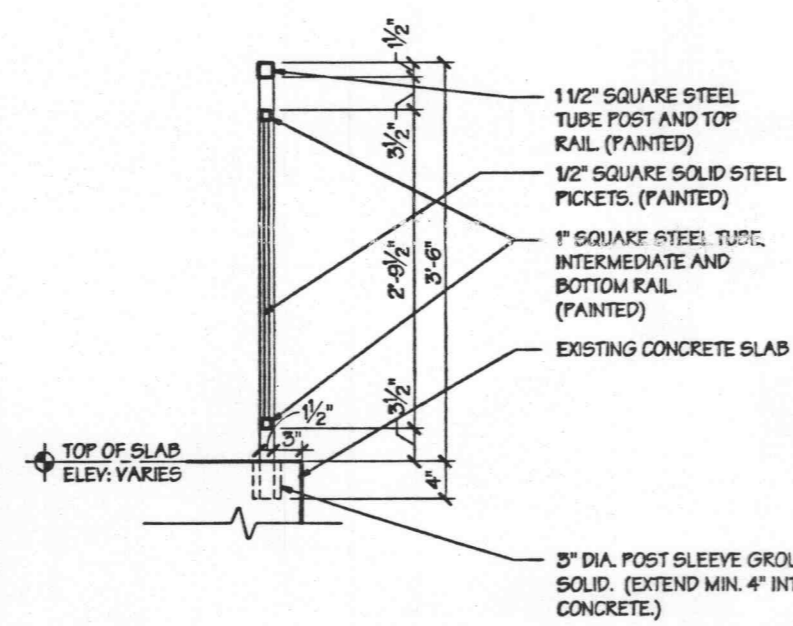
**10 ALTERNATE #4 SECTION AT RAISED PLAZA PLATFORM**  
SCALE: 3/4" = 1'-0"



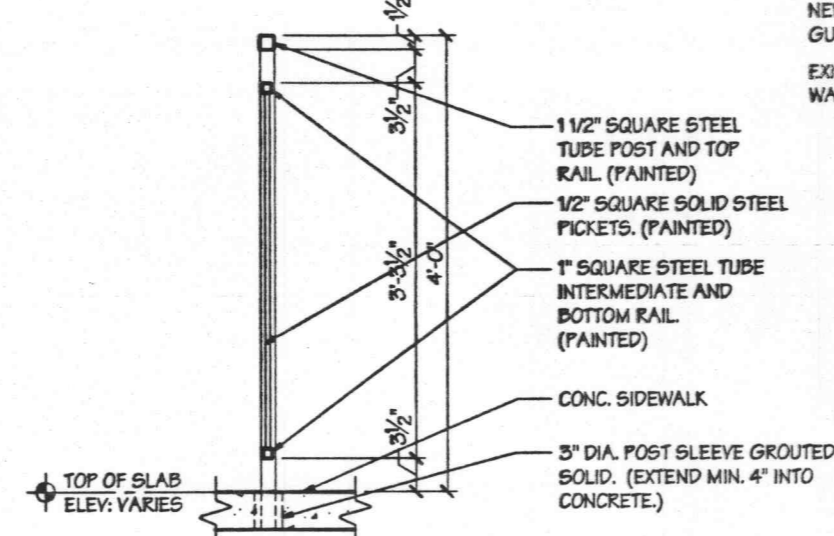
**13 COURTYARD FENCE ELEVATION**  
SCALE: 1/4" = 1'-0"



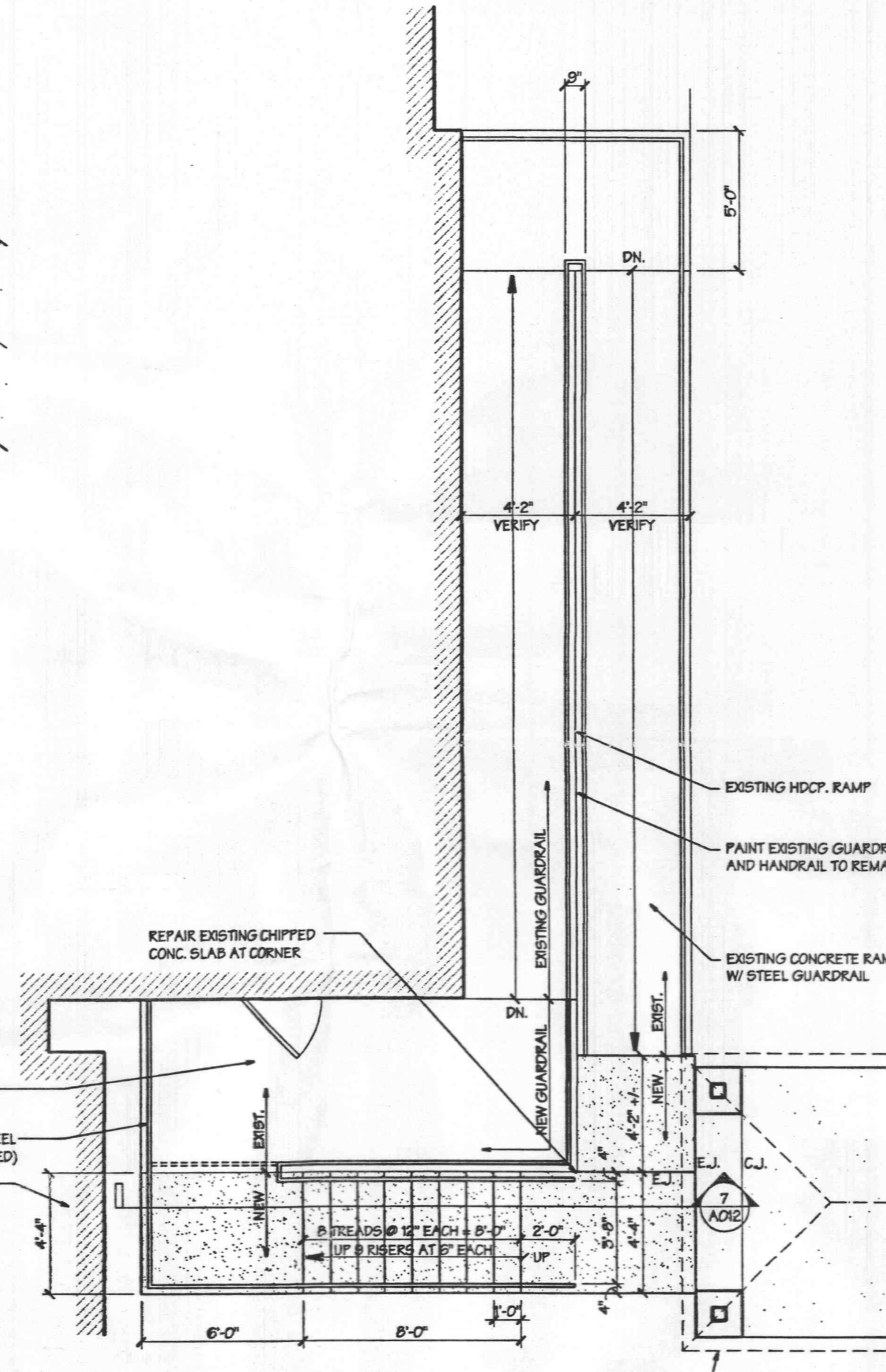
**4 REMOVABLE PIPE BOLLARD DETAIL**  
SCALE: 1 1/2" = 1'-0"



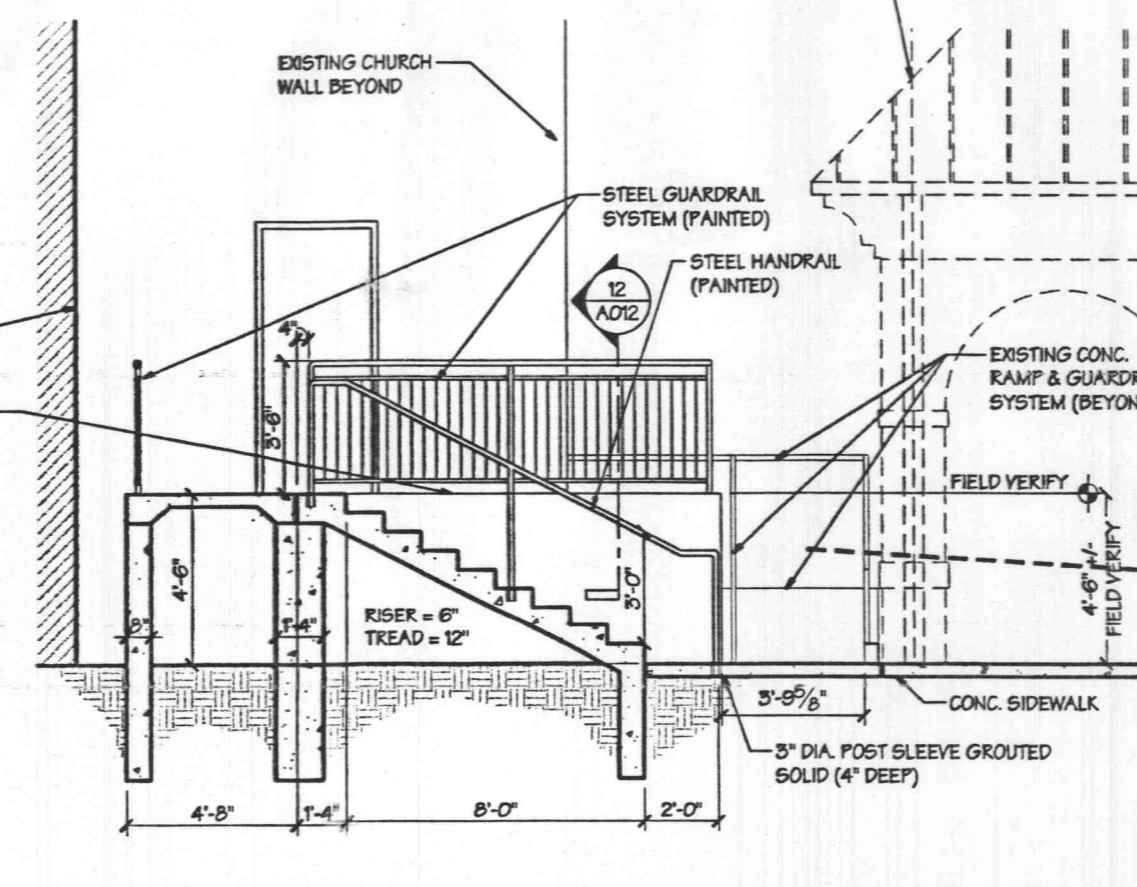
**12 SECTION AT GUARD RAIL**  
SCALE: 3/4" = 1'-0"



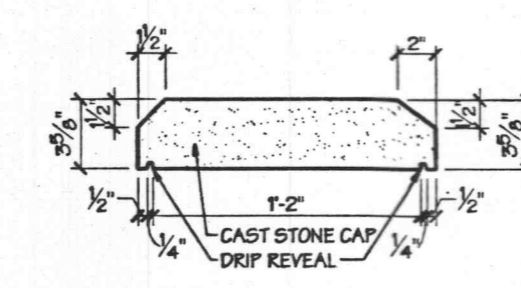
**11 SECTION AT COURTYARD FENCE**  
SCALE: 3/4" = 1'-0"



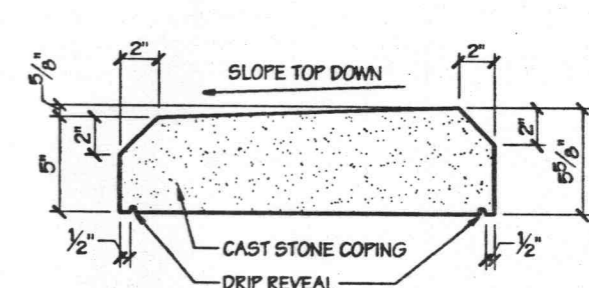
**8 STAIR PLAN AT EXISTING CHURCH**  
SCALE: 1/4" = 1'-0"



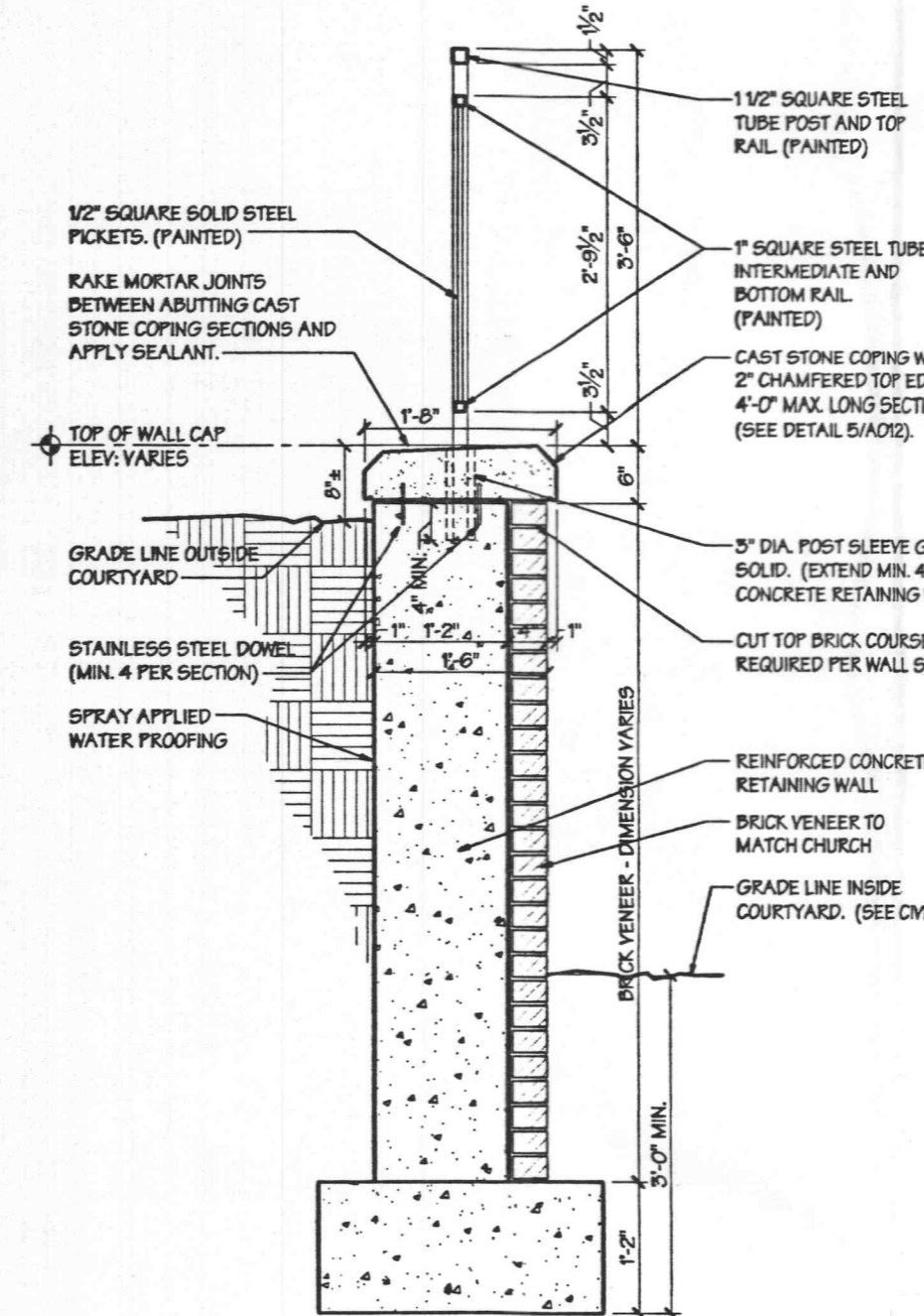
**9 STAIR ELEVATION AT EXISTING CHURCH**  
SCALE: 1/4" = 1'-0"



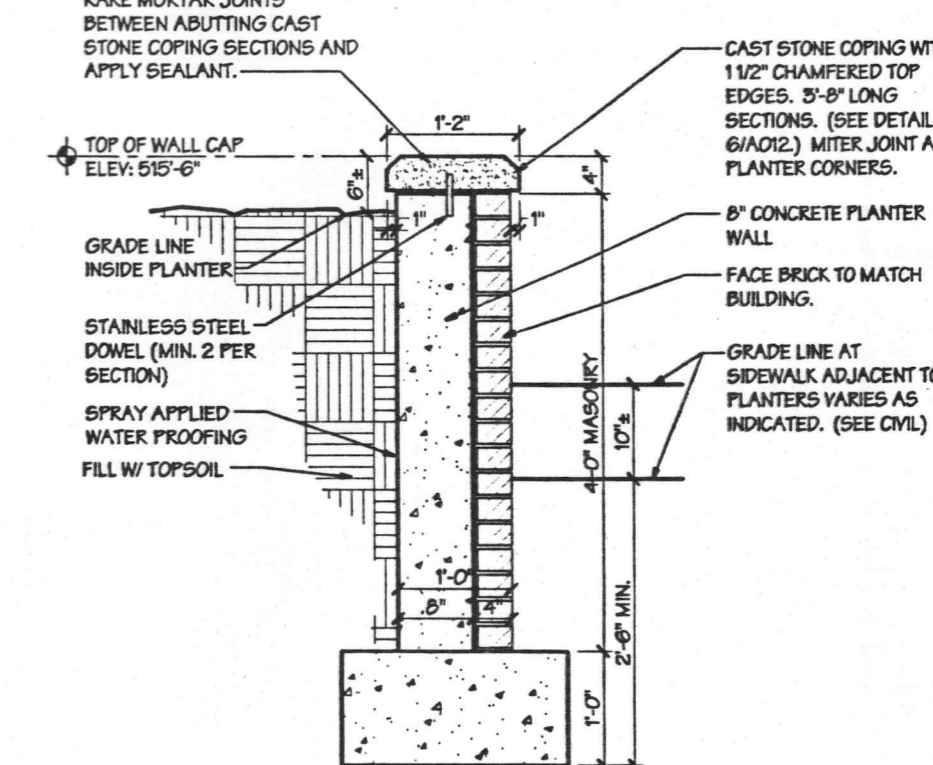
**6 CAST STONE CAP AT BRICK PLANTER WALL**  
SCALE: 1 1/2" = 1'-0"



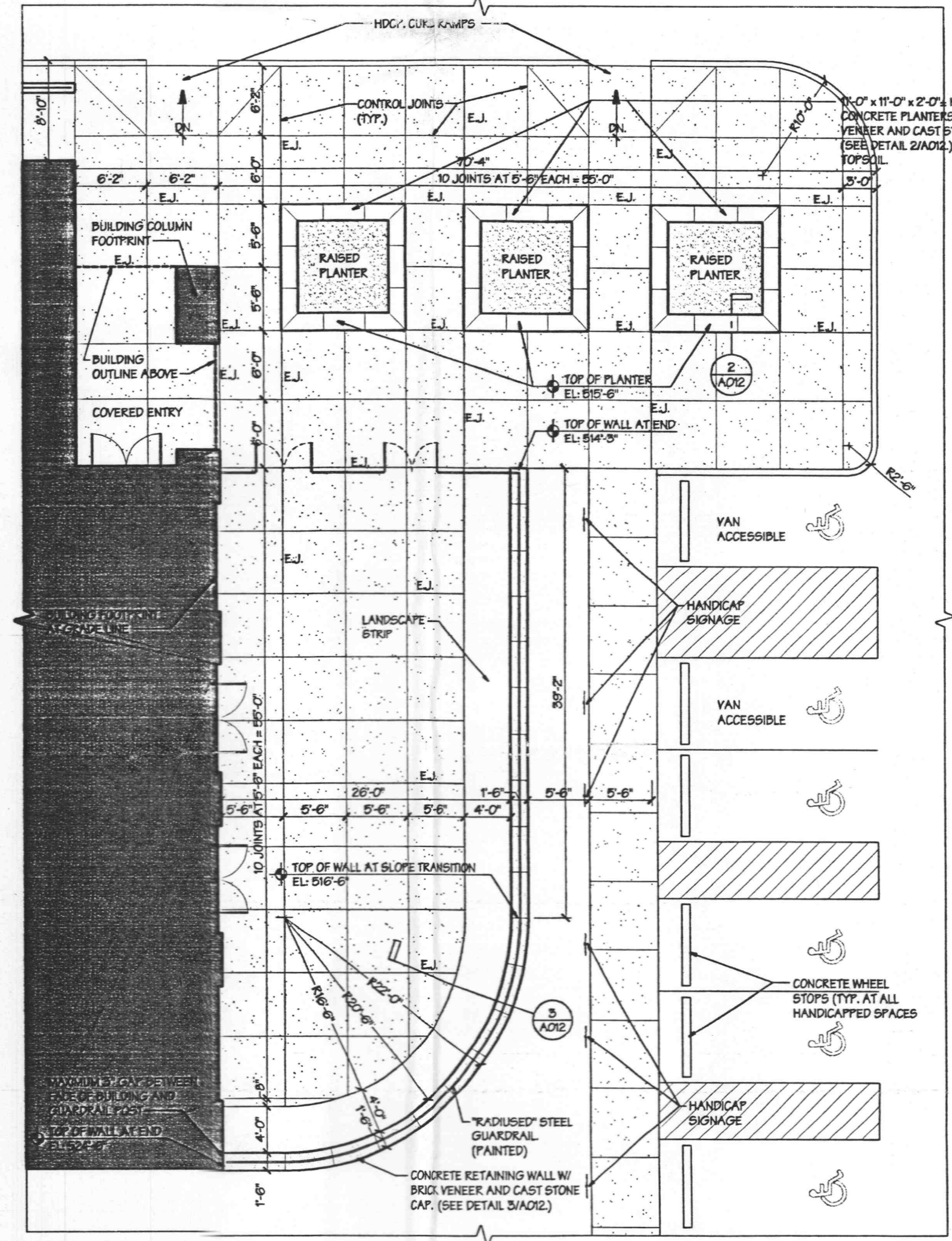
**5 CAST STONE COPING AT COURTYARD RETAINING WALL**  
SCALE: 1 1/2" = 1'-0"



**3 SECTION AT COURTYARD RETAINING WALL**  
SCALE: 3/4" = 1'-0"



**2 SECTION AT BRICK PLANTER WALL**  
SCALE: 3/4" = 1'-0"

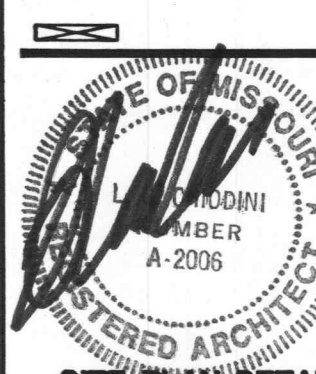


**1 ENLARGED PLAN AT LOWER LEVEL ENTRY PLAZA AND COURTYARD**  
SCALE: 1/8" = 1'-0"

THE ARCHITECT EXPRESSLY RESERVES HIS COMMON LAW AND STATUTORY LAW COPYRIGHTS AND OTHER PROPERTY RIGHTS FOR THESE ARCHITECTURAL WORKS AND TECHNICAL DOCUMENTS AND ANY DERIVATIVE THEREOF. THESE DRAWINGS AND DOCUMENTS ARE NOT TO BE REPRODUCED, COPIED, OR USED IN ANY FORM OR MANNER WHATSOEVER FOR ANY USE WITHOUT WRITTEN PERMISSION OF CHADWICK ASSOCIATES. THE ARCHITECT SHALL BE HELD RESPONSIBLE FOR THE DESIGN AND CONSTRUCTION OF THE PROJECT AND SHALL NOT BE HELD RESPONSIBLE FOR THE DESIGN AND CONSTRUCTION OF ANY OTHER PROJECTS.

© COPYRIGHT PENDING

REVISIONS:



SITE PLAN DETAILS

PROJECT: 2001.042  
DATE: 11 MARCH 2003  
DRAWN: TAK

REVISED PERMIT SET - 30 APRIL 2003